



US00D484776S

(12) **United States Design Patent**
Ruan

(10) **Patent No.:** **US D484,776 S**

(45) **Date of Patent:** **** Jan. 6, 2004**

(54) **PADLOCK**

(75) **Inventor:** **Jiaqiang Ruan, Taishan (CN)**

(73) **Assignee:** **Wah Yuet (Ng's) Co., Ltd., Kowloon (CN)**

(**) **Term:** **14 Years**

(21) **Appl. No.:** **29/171,472**

(22) **Filed:** **Nov. 21, 2002**

(51) **LOC (7) Cl.** **08-07**

(52) **U.S. Cl.** **D8/334**

(58) **Field of Search** D8/330, 331, 334,
D8/343, 347, 300, 301, 302; 70/14, 20,
21, 31, 35, 38 R, 52, 91

(56) **References Cited**

U.S. PATENT DOCUMENTS

1,995,544	A	*	3/1935	Larter	70/20
D102,643	S	*	1/1937	Vile	D8/334
D115,761	S	*	7/1939	Fraim	D8/334
3,570,283	A	*	3/1971	Males	D8/331 X
3,817,064	A	*	6/1974	Sallee	70/18

D309,054	S	*	7/1990	Knox	D8/334
D353,531	S	*	12/1994	Kahonen	D8/334
D461,699	S	*	8/2002	Lavikainen et al.	D8/334
D476,216	S	*	6/2003	Vito	D8/334

* cited by examiner

Primary Examiner—Prabhakar Deshmukh

(74) *Attorney, Agent, or Firm*—McAndrews, Held & Malloy, Ltd.

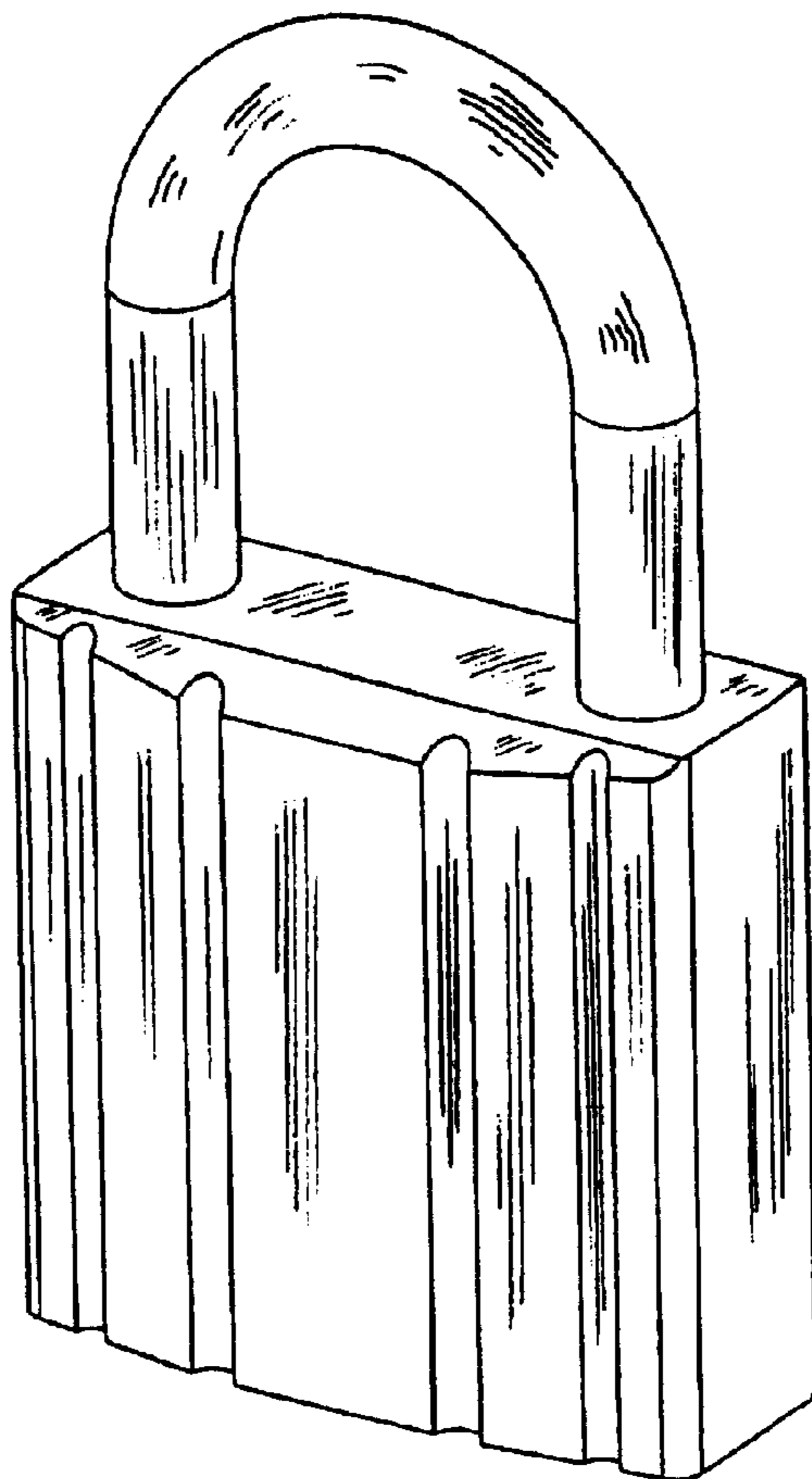
(57) **CLAIM**

The ornamental design for a padlock, as shown and described.

DESCRIPTION

FIG. 1 is a front view of a padlock showing my new design; FIG. 2 is a rear view of the padlock shown in FIG. 1; FIG. 3 is right side view of the padlock shown in FIG. 1; FIG. 4 is a left side view of the padlock shown in FIG. 1; FIG. 5 is a bottom plan view of the padlock shown in FIG. 1; FIG. 6 is a top plan view of the padlock shown in FIG. 1; and, FIG. 7 is a perspective view of the padlock thereof.

1 Claim, 5 Drawing Sheets



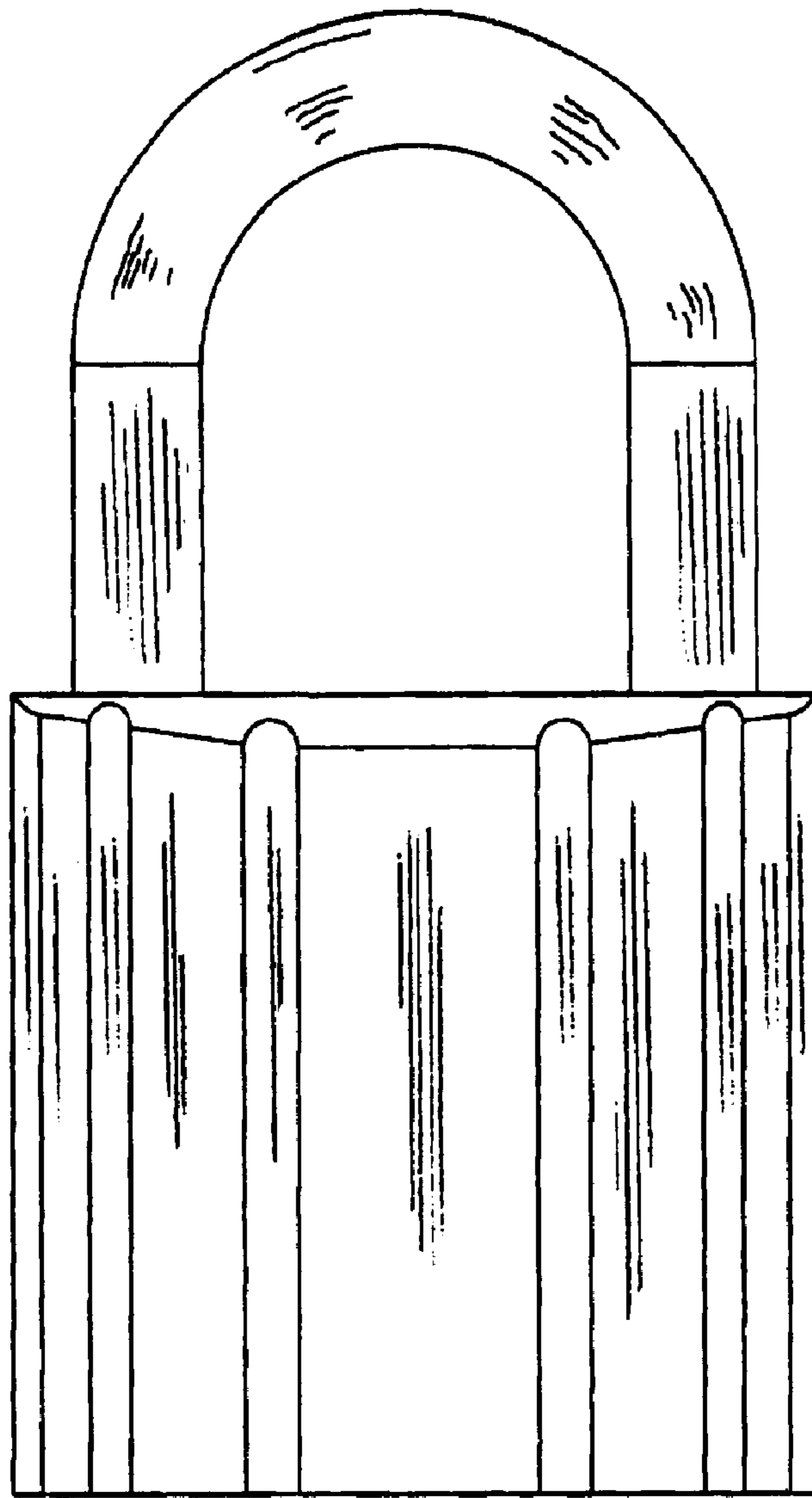


FIG. 1

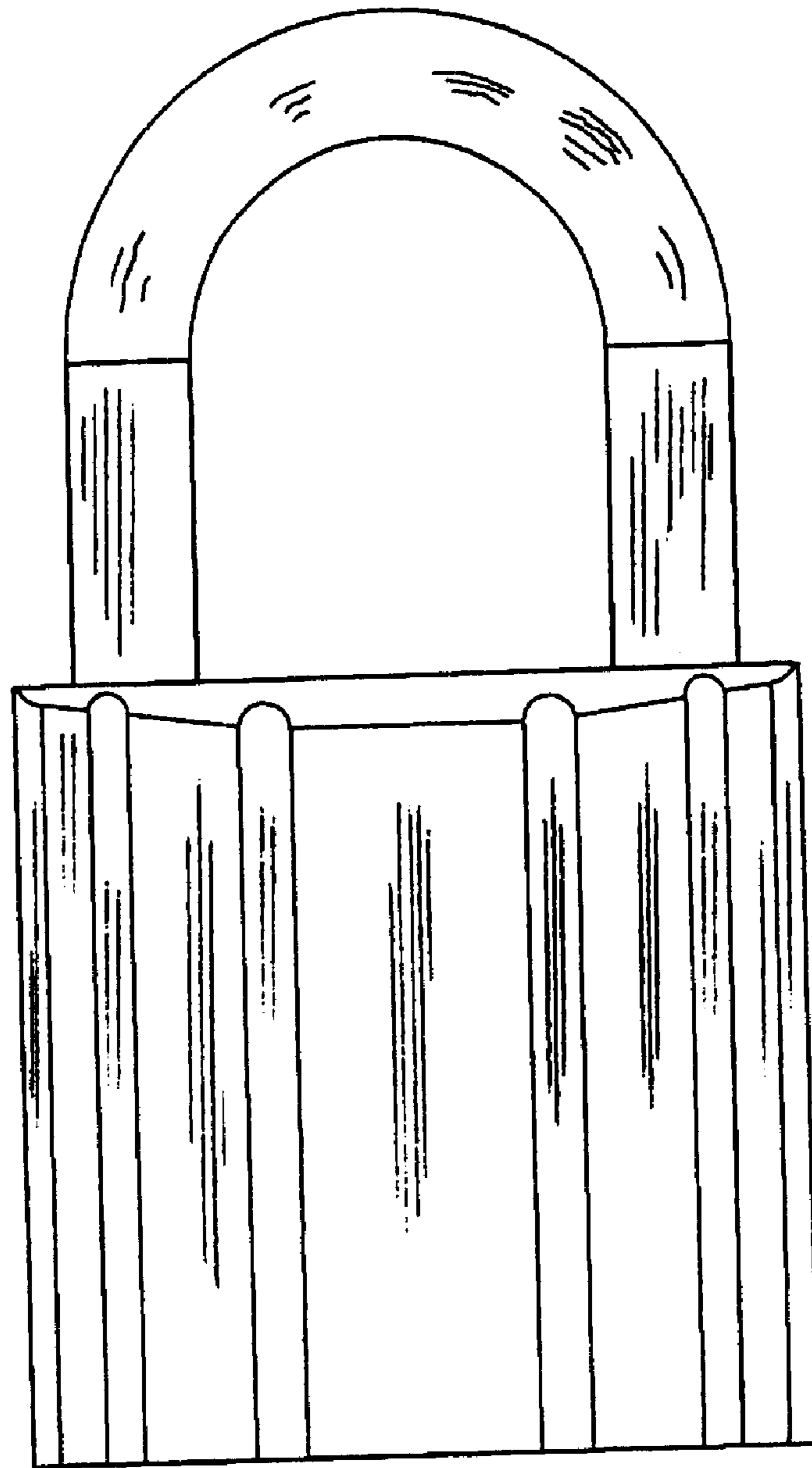


FIG. 2

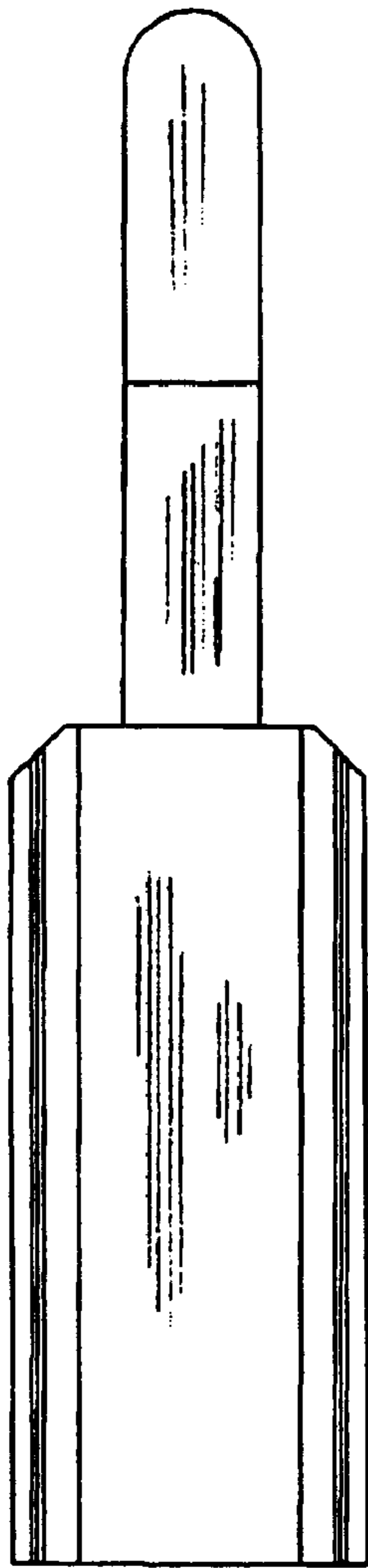


FIG. 3

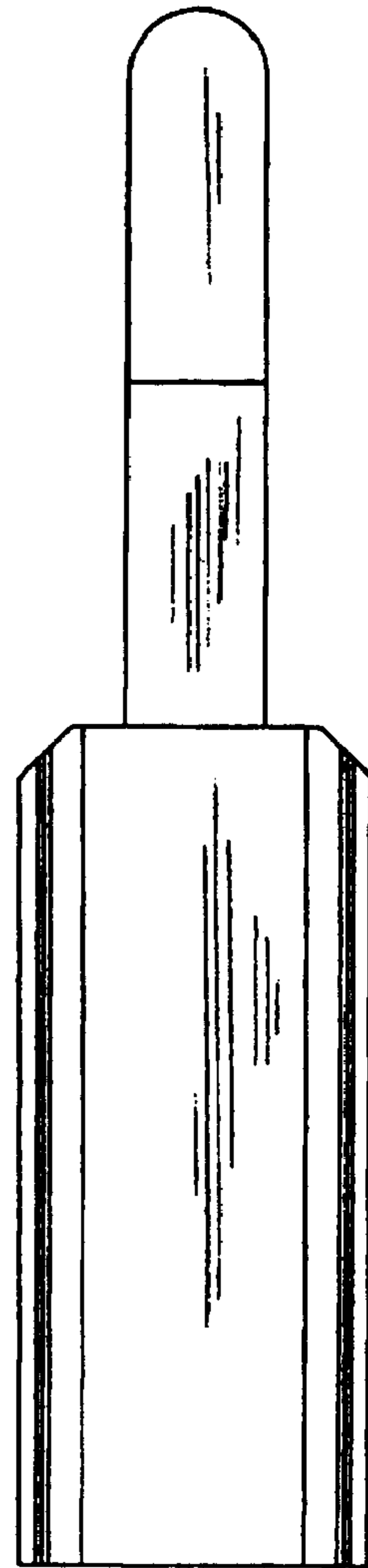


FIG. 4

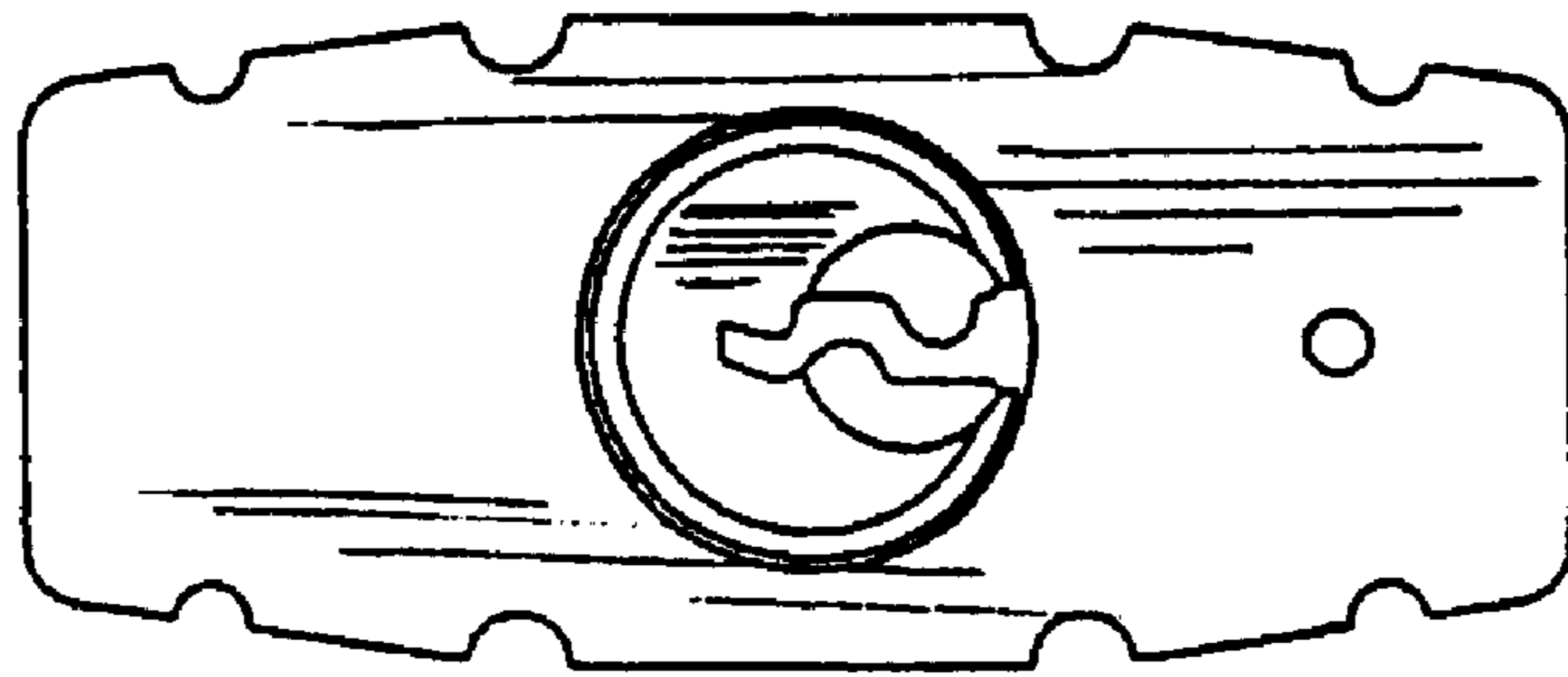


FIG. 5

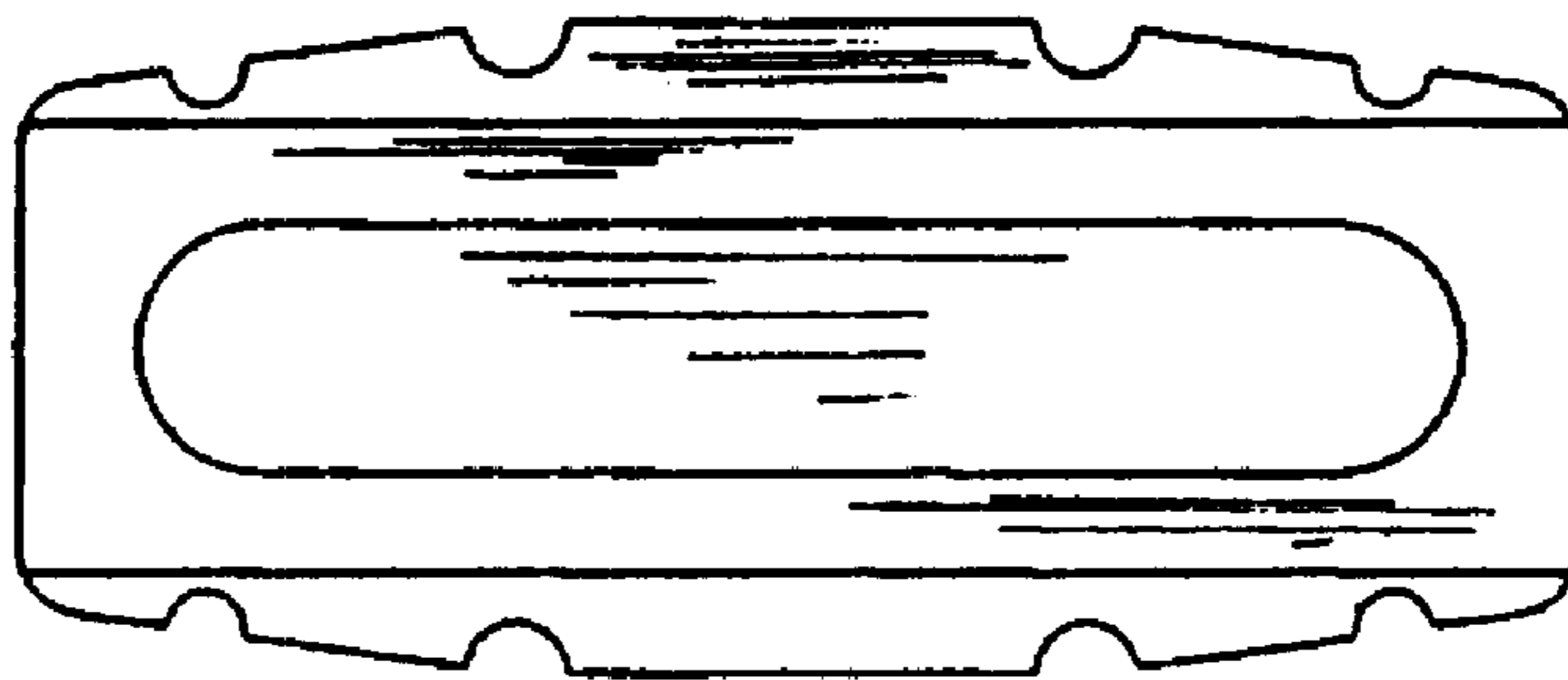


FIG. 6

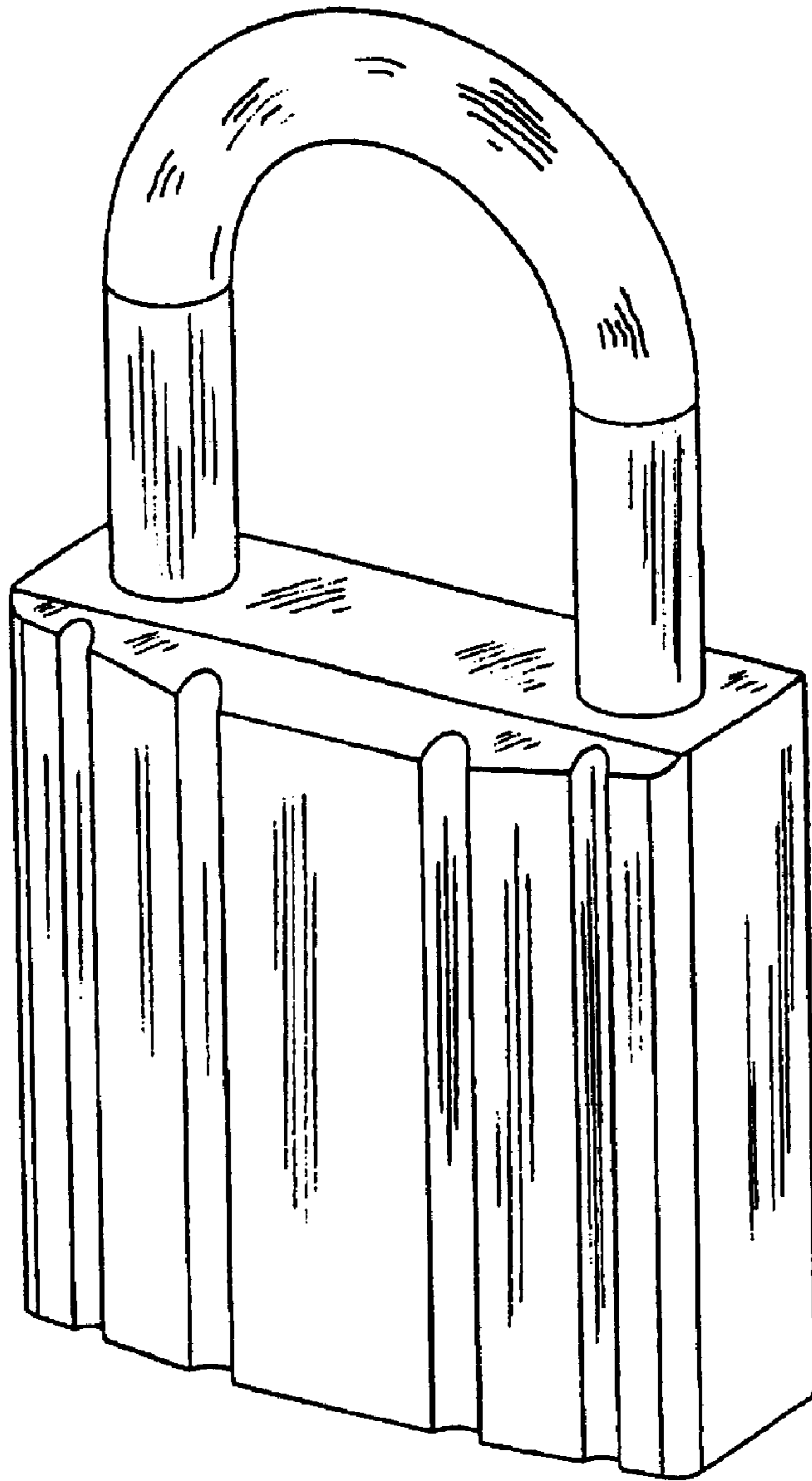


FIG. 7