



US00D484775S

(12) **United States Design Patent**  
**Hong**

(10) **Patent No.:** **US D484,775 S**

(45) **Date of Patent:** **\*\* Jan. 6, 2004**

(54) **DOOR BOLT**

(76) **Inventor:** **Yao Chen Hong**, PO Box 82-144,  
Taipei (TW)

(\*\*) **Term:** **14 Years**

(21) **Appl. No.:** **29/171,971**

(22) **Filed:** **Dec. 4, 2002**

(51) **LOC (7) Cl.** ..... **08-07**

(52) **U.S. Cl.** ..... **D8/331**

(58) **Field of Search** ..... D8/330, 331, 300-302,  
D8/341; 70/107-111, 129, 229, 311, 310,  
DIG. 26; 292/2, 32, 57, 137, 162

(56) **References Cited**

**U.S. PATENT DOCUMENTS**

1,325,641	A	*	12/1919	Kish	.....	70/DIG. 26
3,555,860	A	*	1/1971	Atkinson	.....	70/71
D226,472	S	*	3/1973	Barnes	.....	D8/341
D284,639	S	*	7/1986	Matsuo et al.	.....	D8/331
4,646,547	A	*	3/1987	Scelba et al.	.....	70/312
D332,906	S	*	2/1993	Hall et al.	.....	D8/331

D334,703	S	*	4/1993	Murphy	.....	D8/331
D364,083	S	*	11/1995	Werner	.....	D8/331
D452,810	S	*	1/2002	Anderson	.....	D8/331
D455,063	S	*	4/2002	Anderson	.....	D8/339

\* cited by examiner

*Primary Examiner*—Prabhakar Deshmukh

(74) *Attorney, Agent, or Firm*—Leong C. Lei

(57) **CLAIM**

The ornamental design for a door bolt, as shown and described.

**DESCRIPTION**

FIG. 1 is perspective view of a door bolt showing my new design;

FIG. 2 is a front side elevation view thereof;

FIG. 3 is a rear side elevation view thereof;

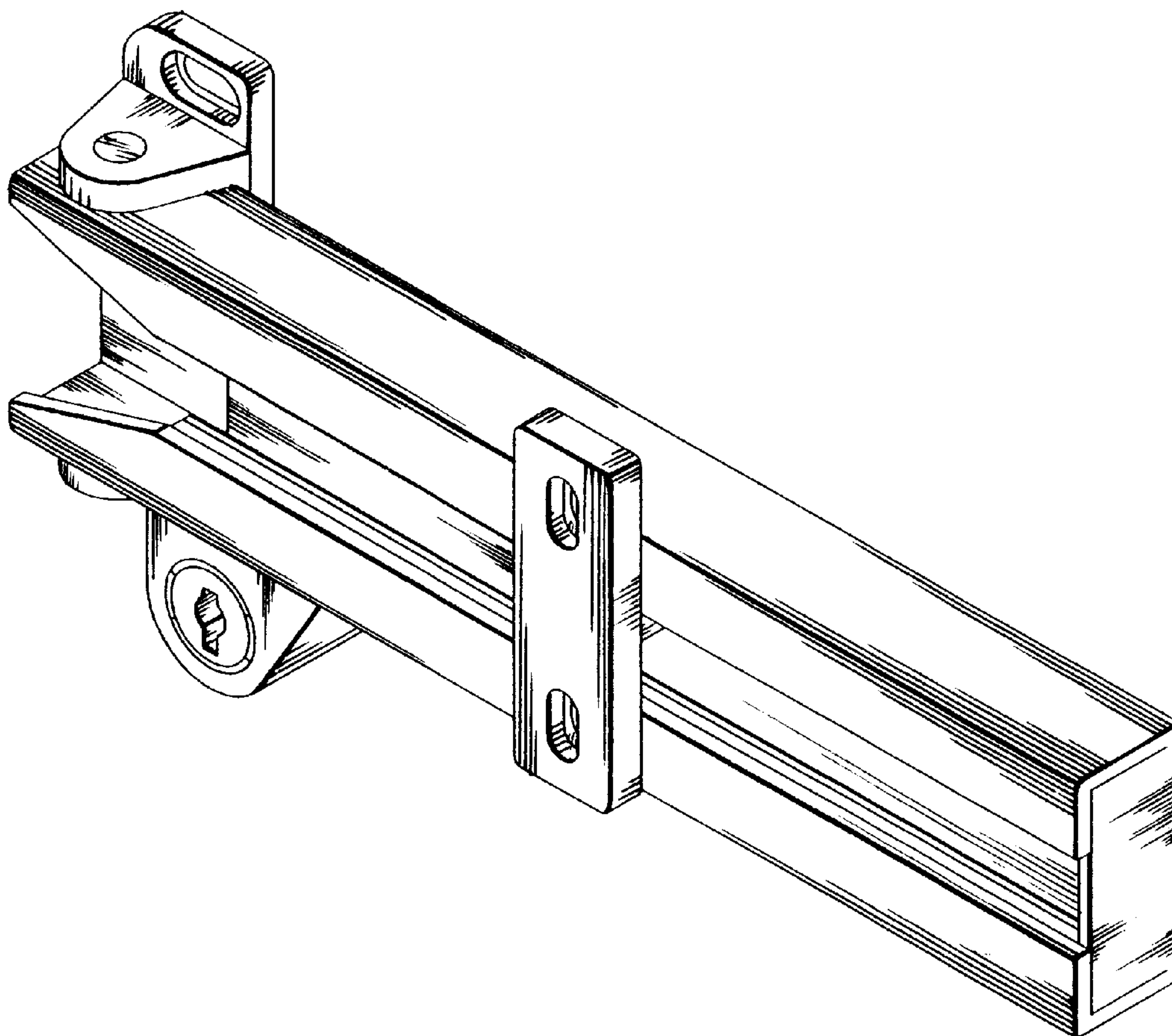
FIG. 4 is a left side elevation view thereof;

FIG. 5 is a right side elevation view thereof;

FIG. 6 is a top plan view thereof; and,

FIG. 7 is a bottom plan view thereof.

**1 Claim, 4 Drawing Sheets**



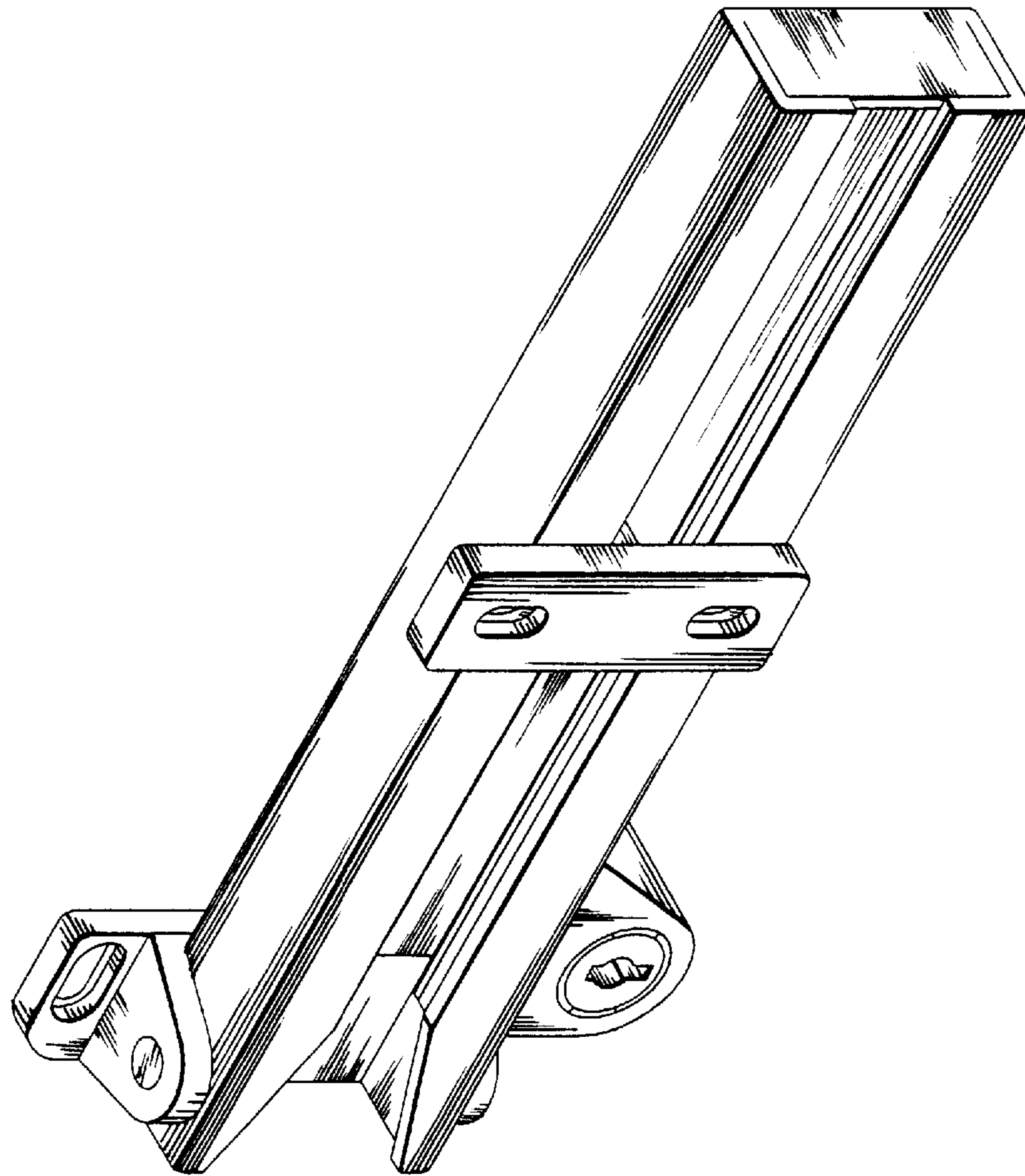


FIG. 1

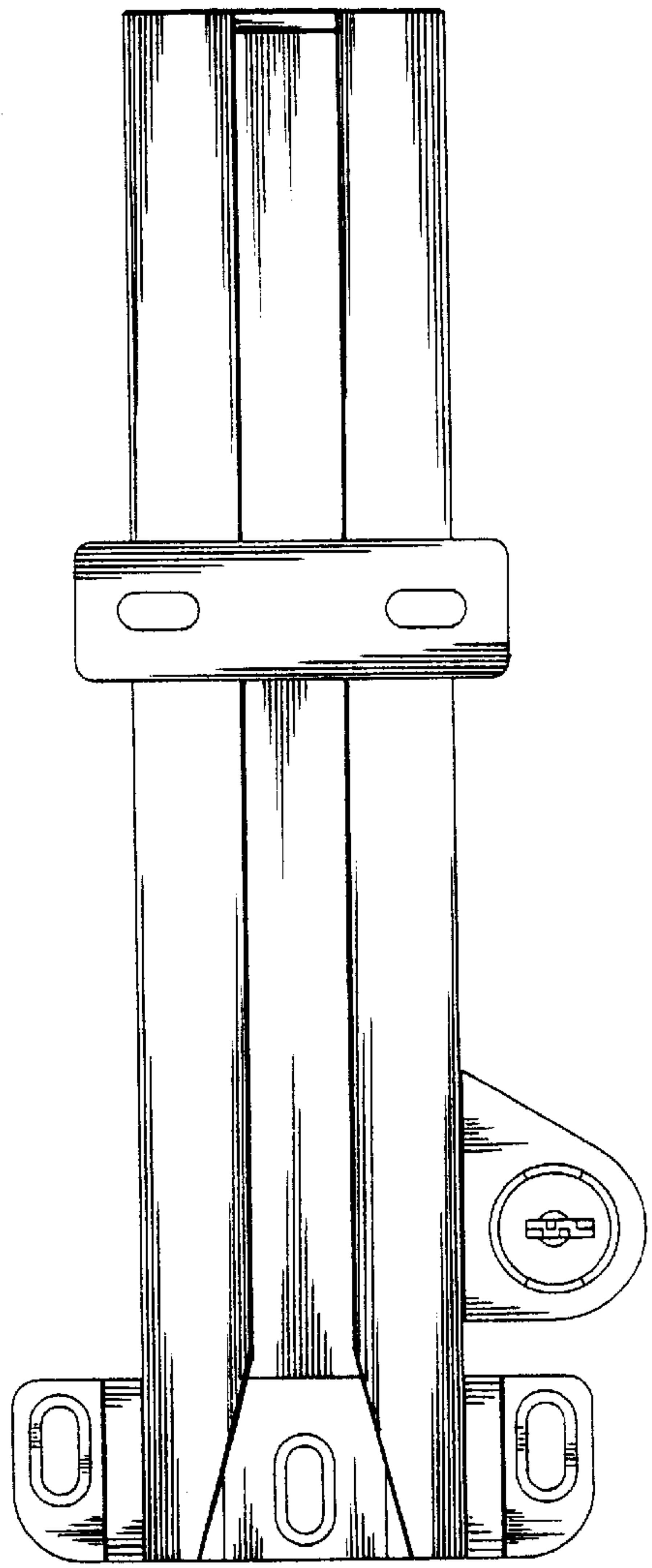


FIG. 2

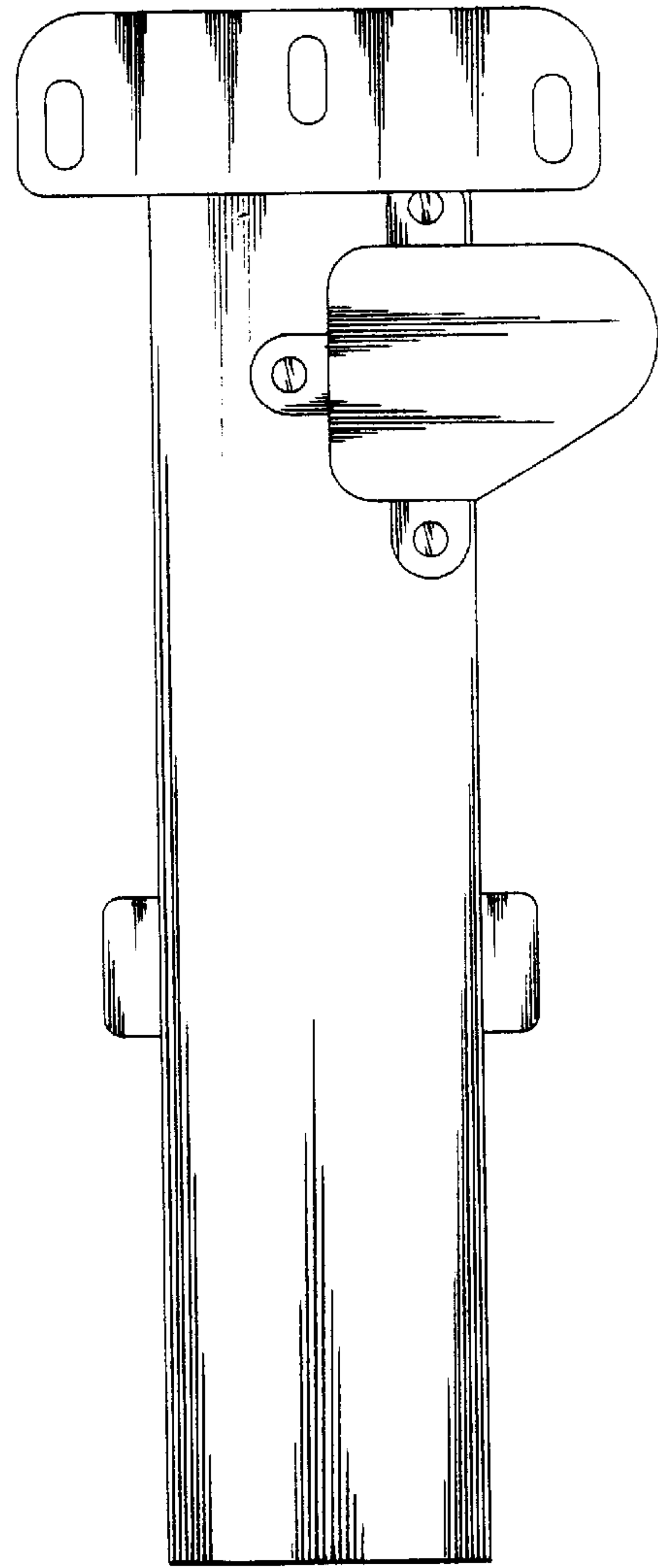


FIG. 3

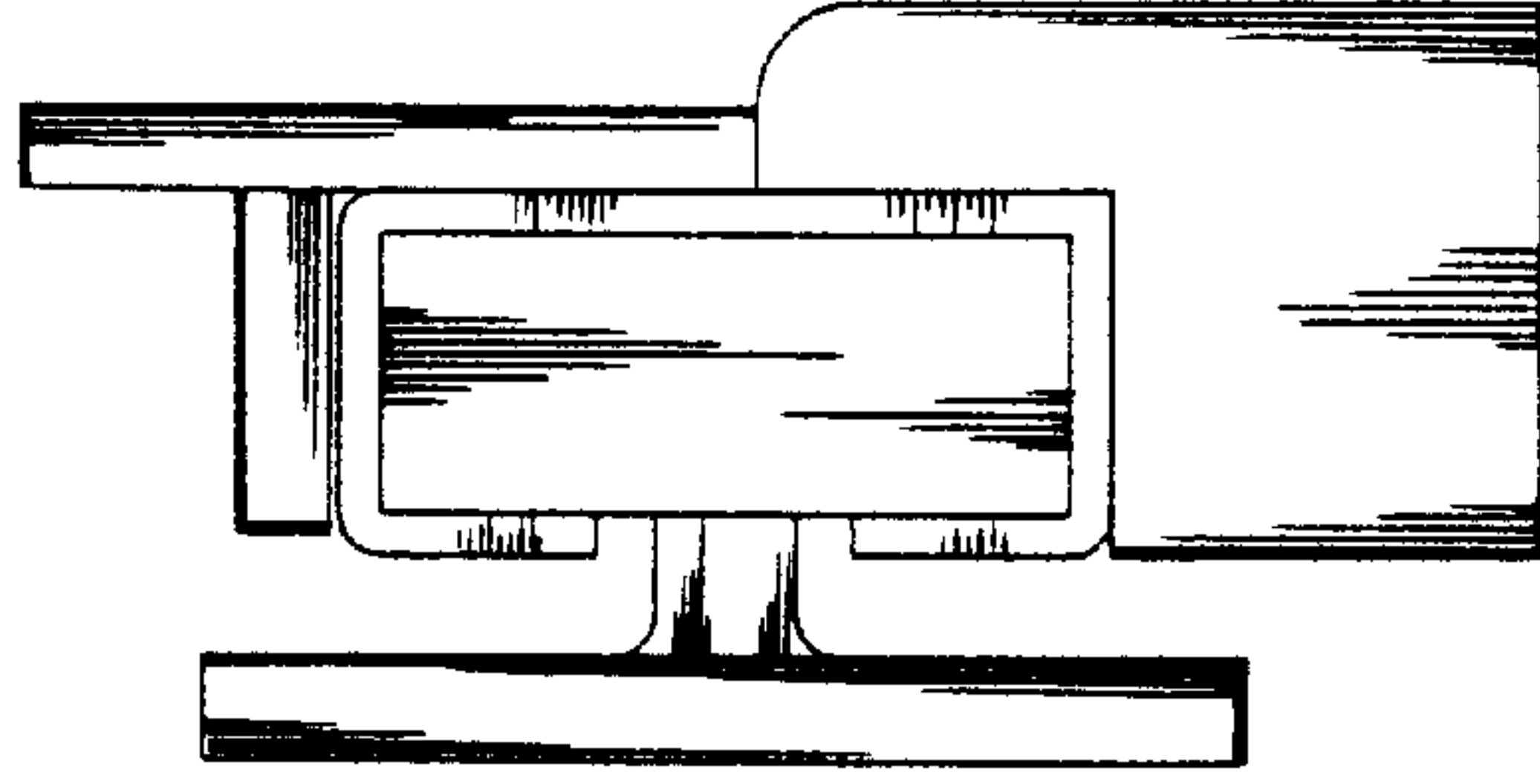


FIG. 5

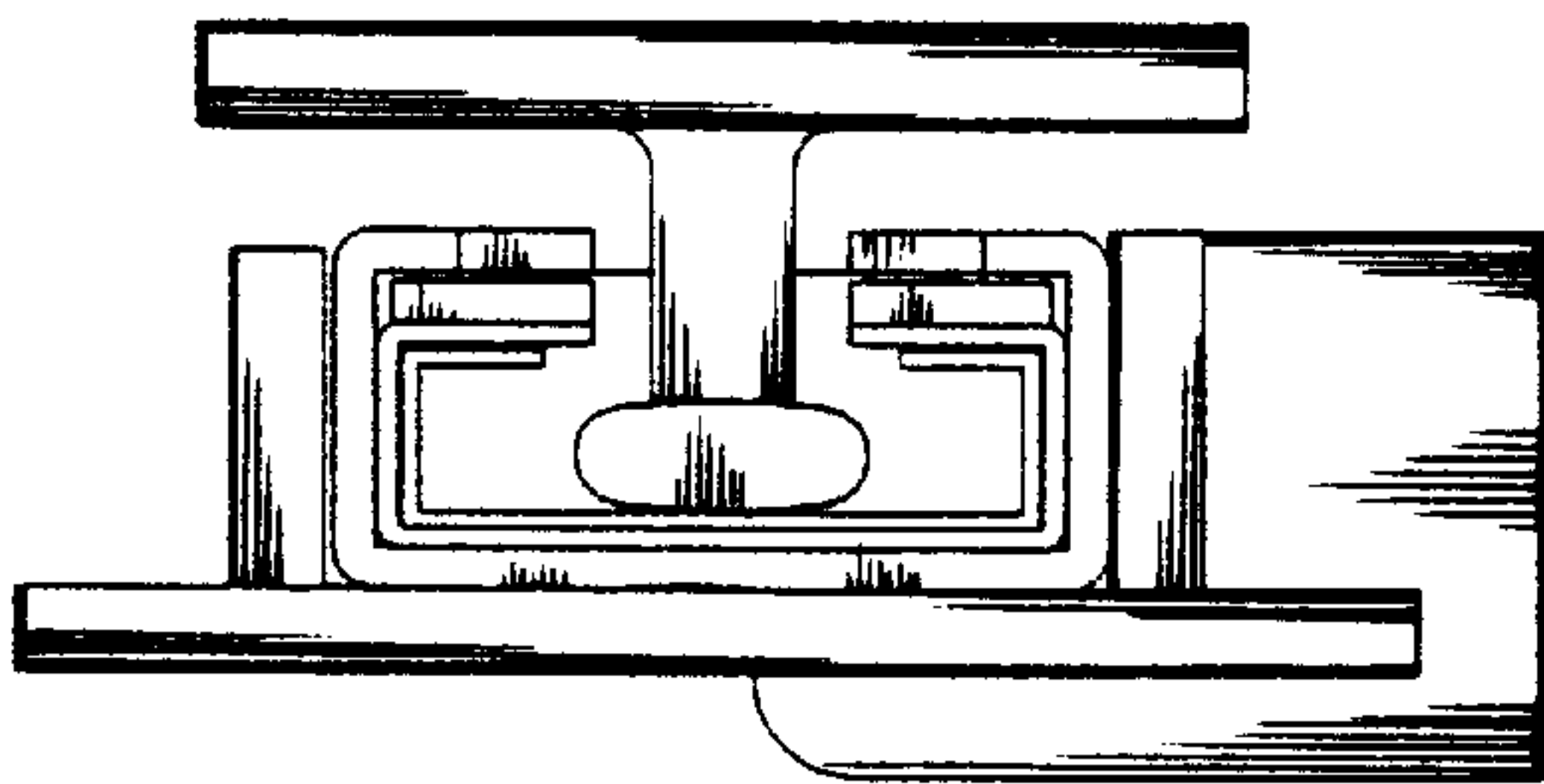


FIG. 4

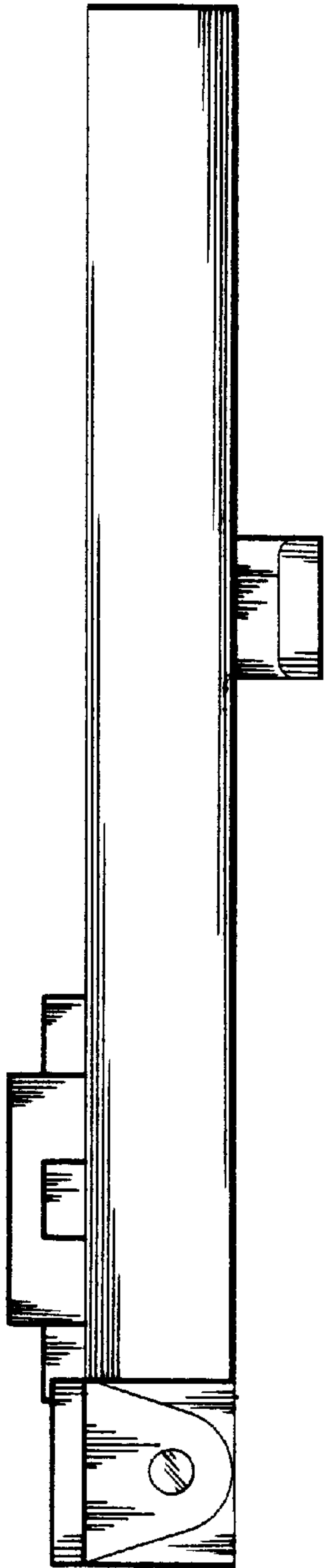


FIG. 6

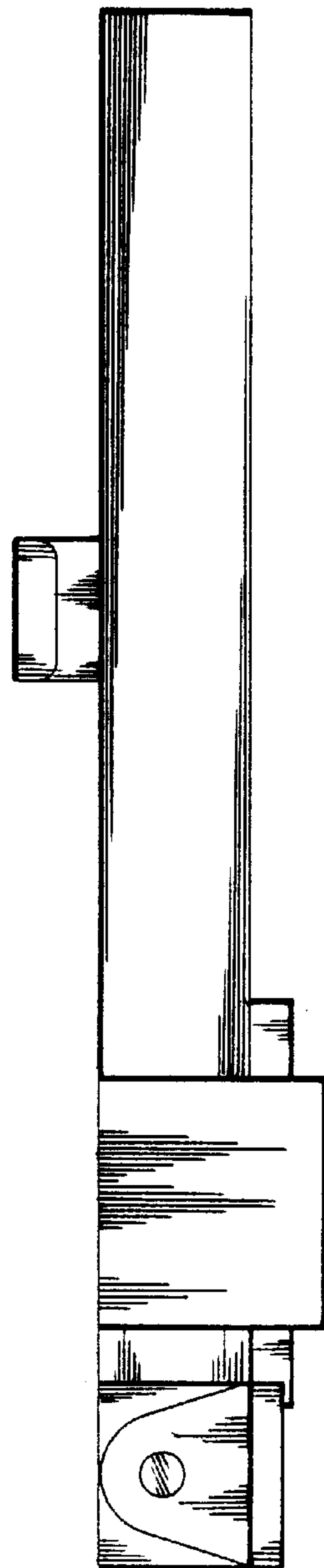


FIG. 7