



US00D484774S

(12) **United States Design Patent**  
**Jones**

(10) **Patent No.:** **US D484,774 S**

(45) **Date of Patent:** **\*\* Jan. 6, 2004**

(54) **TRAILER PIN LOCK**

(76) **Inventor:** **David Phillip Jones**, 4285-95 Street,  
Edmonton, Alberta (CA), T6E 5R6

(\*\*) **Term:** **14 Years**

(21) **Appl. No.:** **29/170,858**

(22) **Filed:** **Nov. 12, 2002**

(51) **LOC (7) Cl.** ..... **08-07**

(52) **U.S. Cl.** ..... **D8/331**

(58) **Field of Search** ..... D8/330, 331, 302;  
70/229-232, 14, 34, 51-52, 57; D12/162

(56) **References Cited**

**U.S. PATENT DOCUMENTS**

3,415,085	A	*	12/1968	Eble, Jr.	70/232
3,763,675	A	*	10/1973	Hofmeister et al.	70/232
4,067,213	A	*	1/1978	Little	70/232
4,141,233	A	*	2/1979	Reyes	70/232
D254,121	S		2/1980	Padgett, Jr.	D8/331
D261,858	S		11/1981	Lassiter	D8/331
D279,351	S		6/1985	Lassiter	D8/331

4,704,883	A	*	11/1987	Dykes	70/229
D297,706	S	*	9/1988	Falk	D8/331
4,841,756	A	*	6/1989	Curtis	70/232
5,136,863	A		8/1992	Richardson	70/14
5,332,251	A	*	7/1994	Farquhar	D8/331 X
D448,648	S	*	10/2001	Bremicker	D8/331

\* cited by examiner

*Primary Examiner*—Prabhakar Deshmukh  
(74) *Attorney, Agent, or Firm*—Christensen O'Connor  
Johnson Kindness PLLC

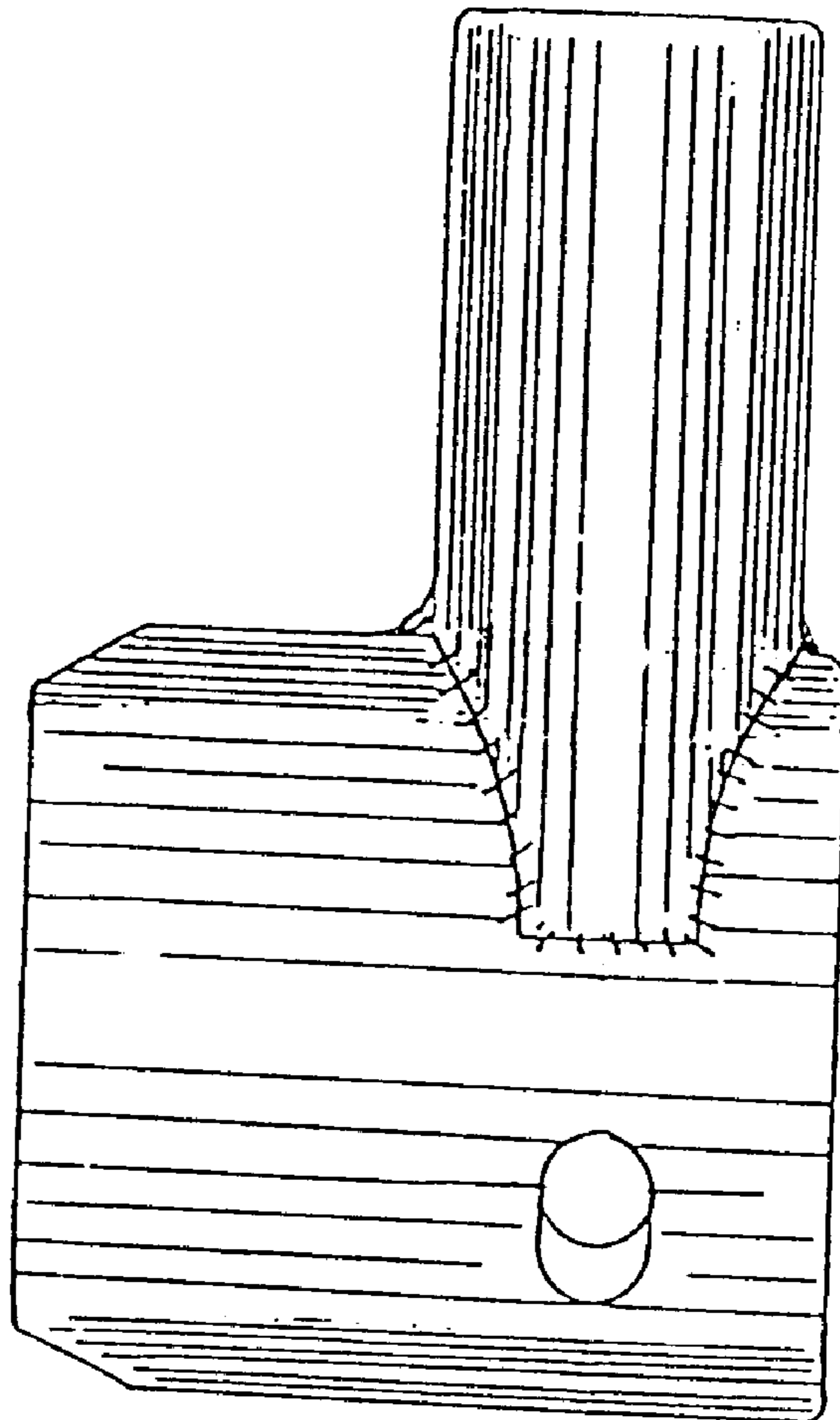
(57) **CLAIM**

The ornamental design for a trailer pin lock, as shown and described.

**DESCRIPTION**

FIG. 1 is a front elevation view.  
FIG. 2 is a rear elevation view.  
FIG. 3 is a side elevation view.  
FIG. 4 is a top plan view; and,  
FIG. 5 is a bottom plan view.

**1 Claim, 3 Drawing Sheets**



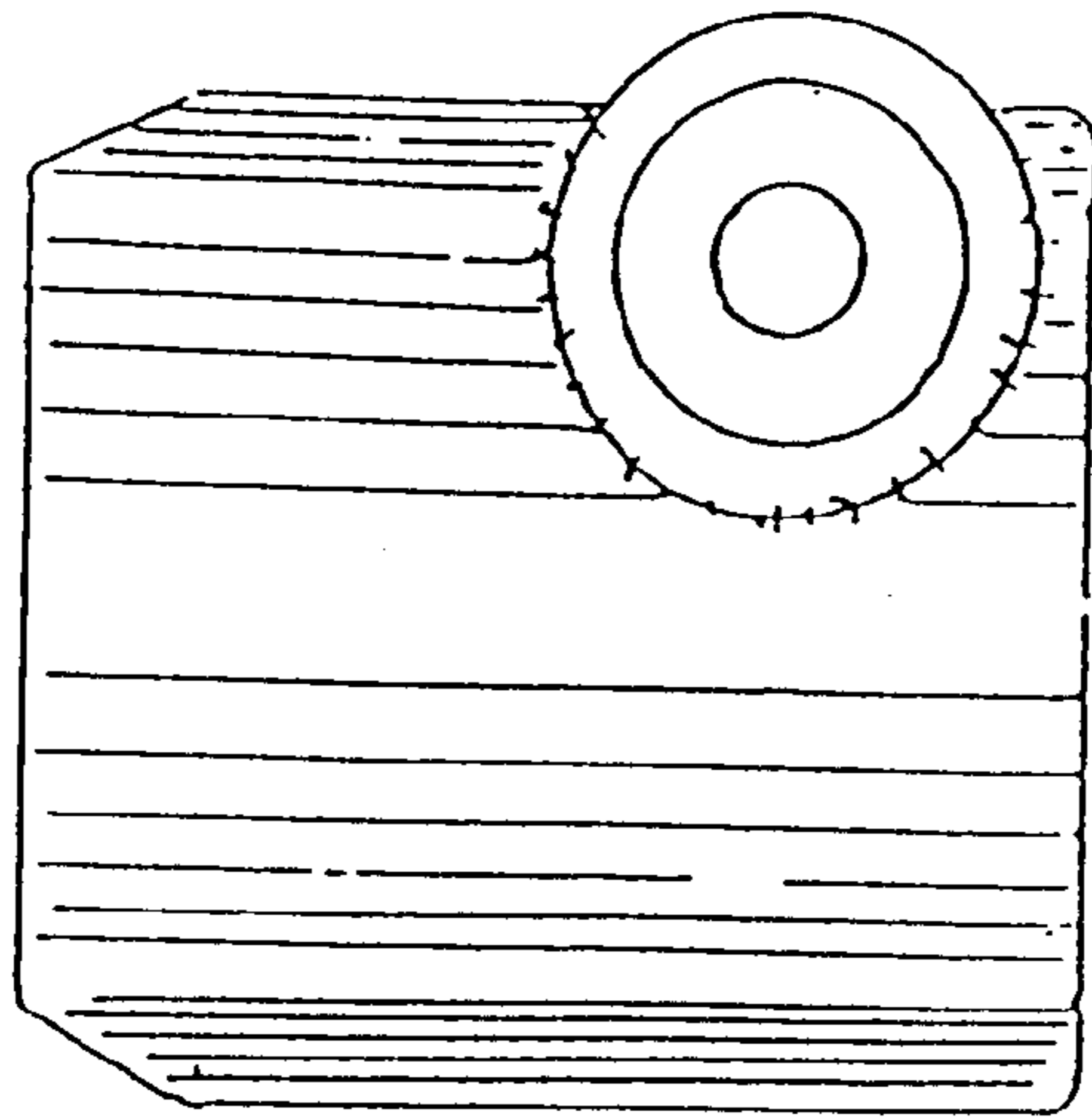


FIG. 1

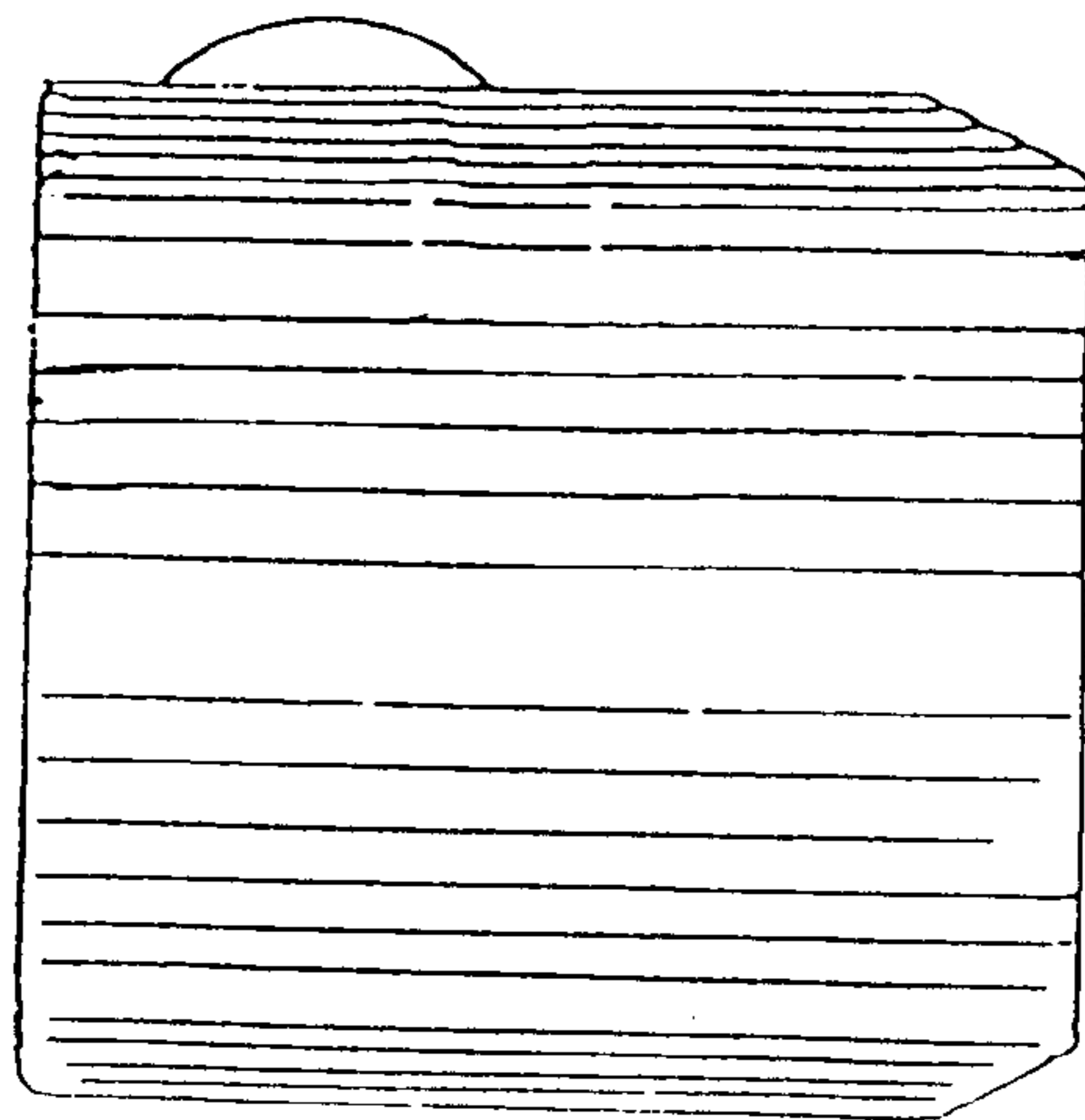


FIG. 2

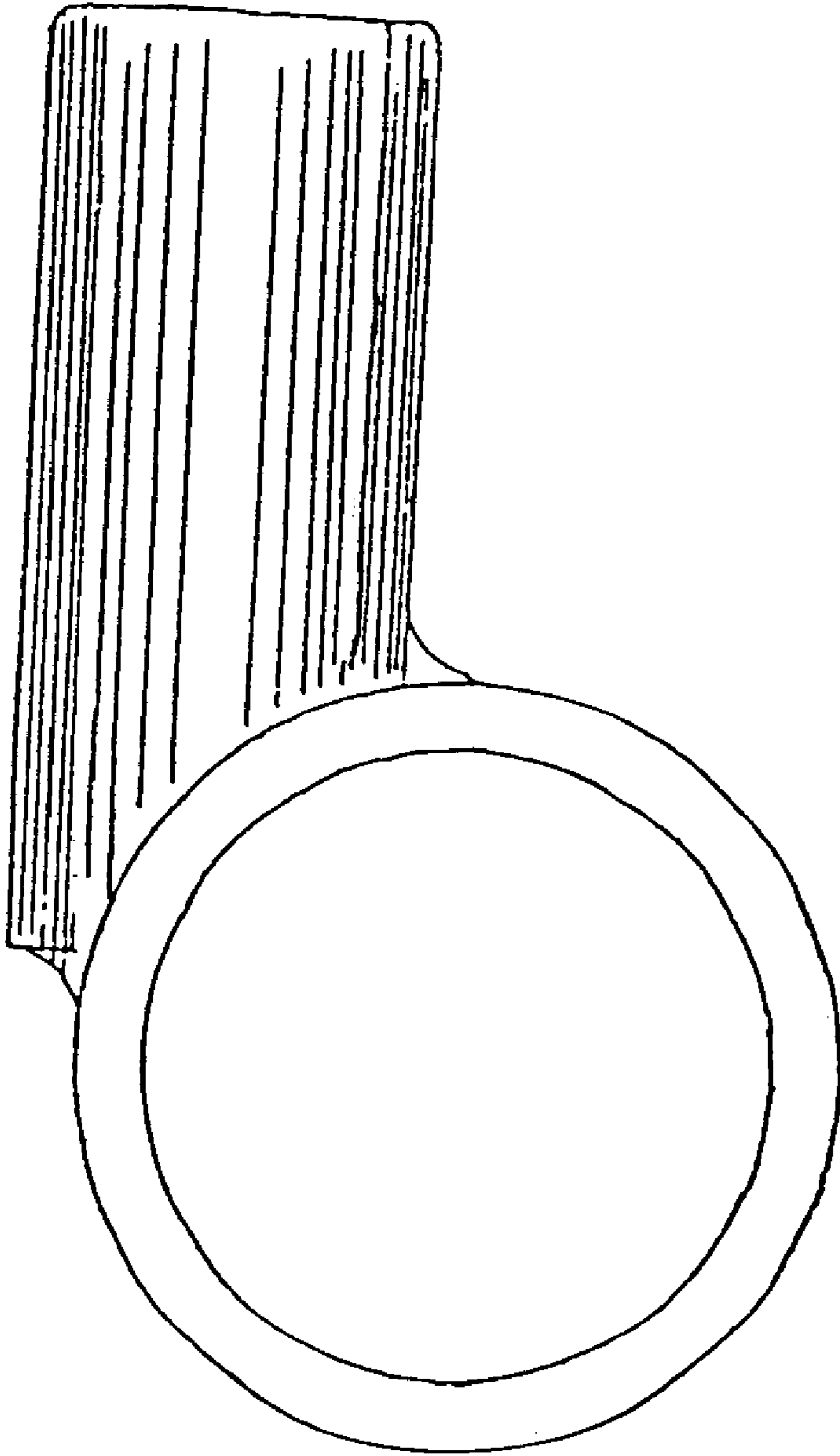


FIG. 3

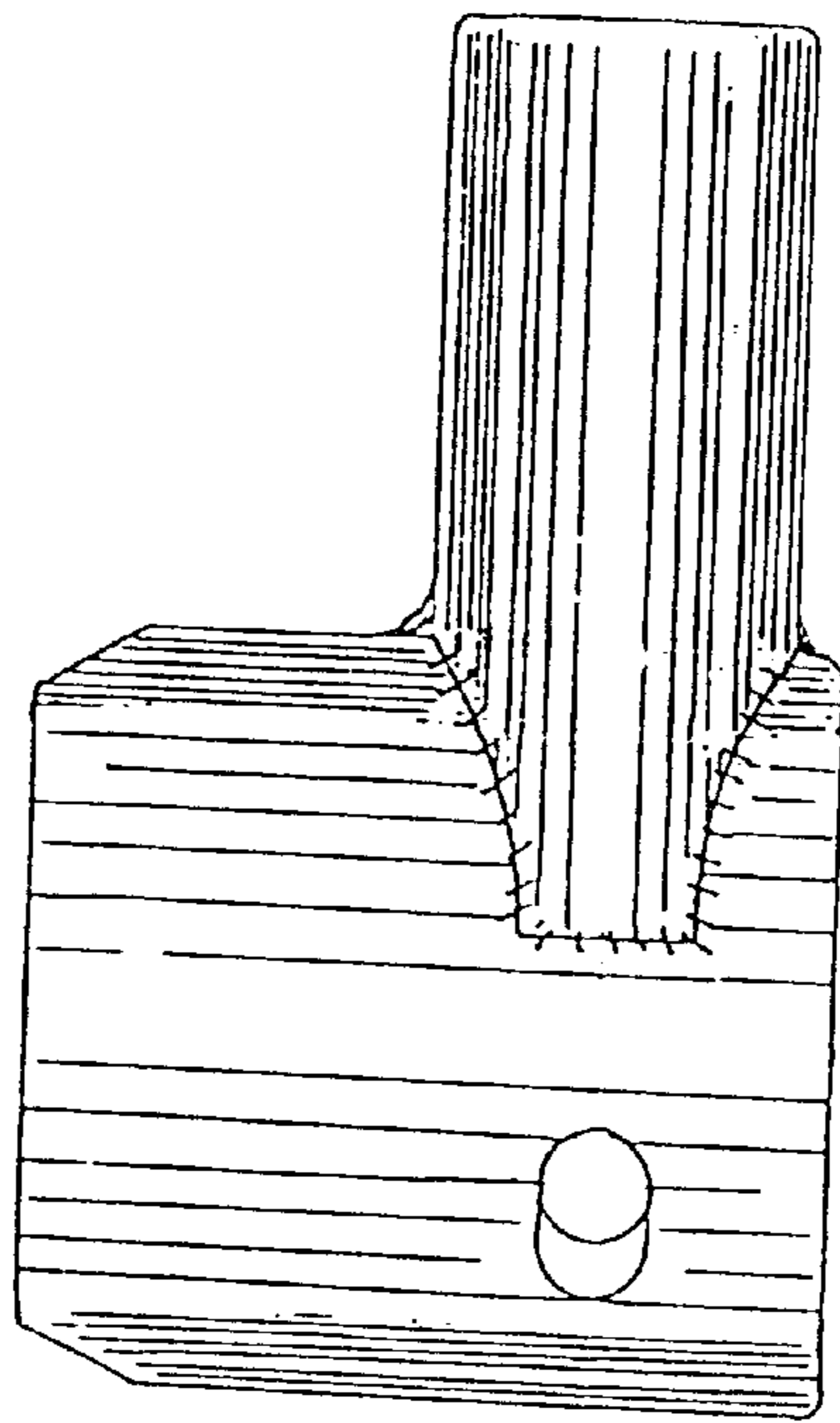


FIG. 4

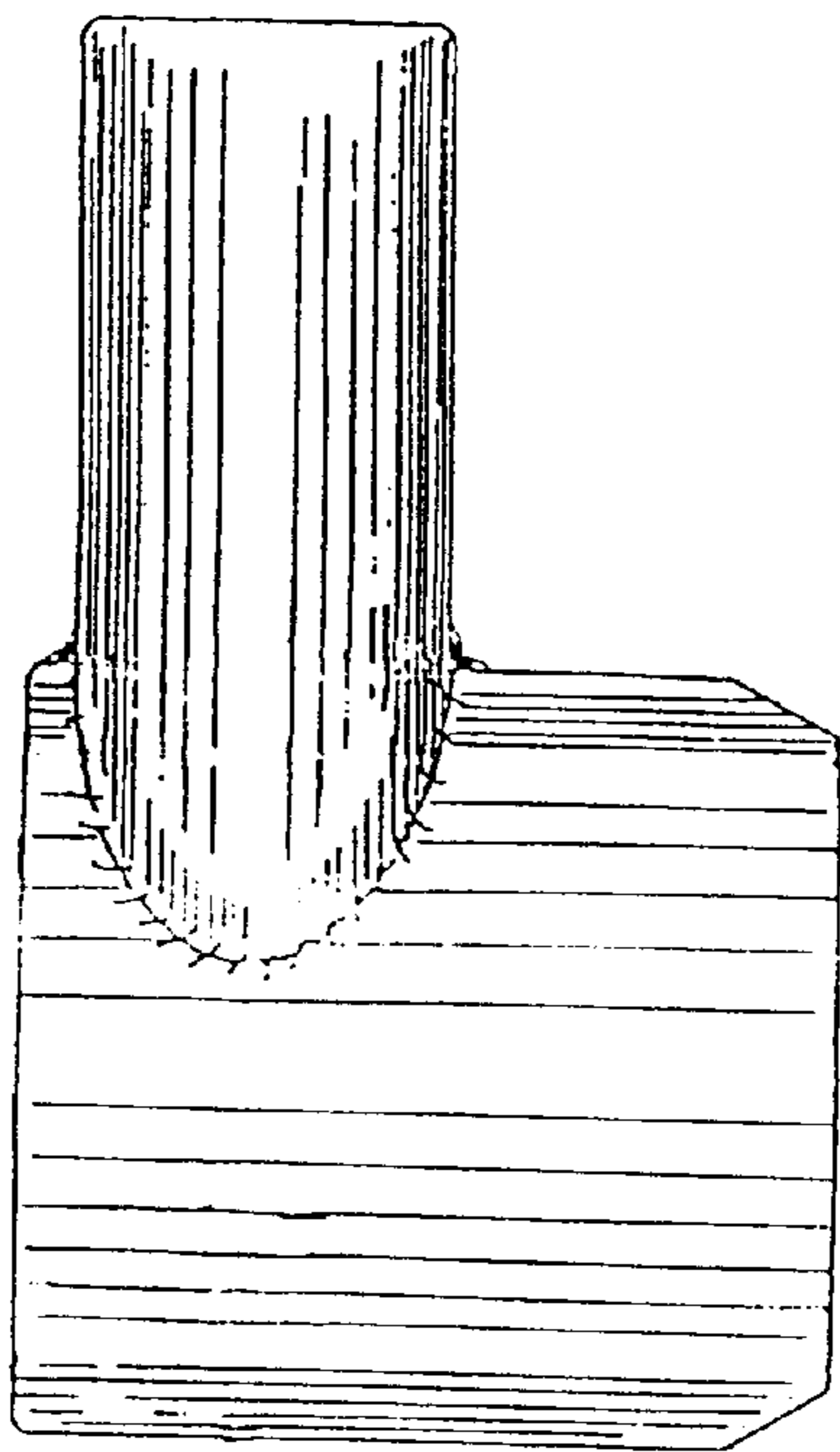


FIG. 5