



US00D484773S

(12) **United States Design Patent**
Wyers

(10) **Patent No.:** **US D484,773 S**

(45) **Date of Patent:** **** Jan. 6, 2004**

(54) **LOCKING ROD DEVICE**

(76) **Inventor:** **Philip W. Wyers**, 14705 E. Aberdeen Ave., Centennial, CO (US) 80016

(**) **Term:** **14 Years**

(21) **Appl. No.:** **29/175,688**

(22) **Filed:** **Feb. 7, 2003**

(51) **LOC (7) Cl.** **08-07**

(52) **U.S. Cl.** **D8/330**

(58) **Field of Search** D8/330, 331, 343, D8/300, 321; 70/181-189, 431, 14; 292/2, 32, 288, 340

(56) **References Cited**

U.S. PATENT DOCUMENTS

- 2,855,773 A * 10/1958 Evans 70/181
- 3,474,648 A * 10/1969 Trinca 70/181
- D284,737 S * 7/1986 Clayton D8/302
- 4,732,019 A * 3/1988 Tolar 70/181

- D295,606 S * 5/1988 Ault D8/330
- D296,866 S * 7/1988 Behring D9/330
- D297,108 S * 8/1988 Behring D8/330
- 5,596,894 A * 1/1997 Lee 70/181

* cited by examiner

Primary Examiner—Prabhakar Deshmukh

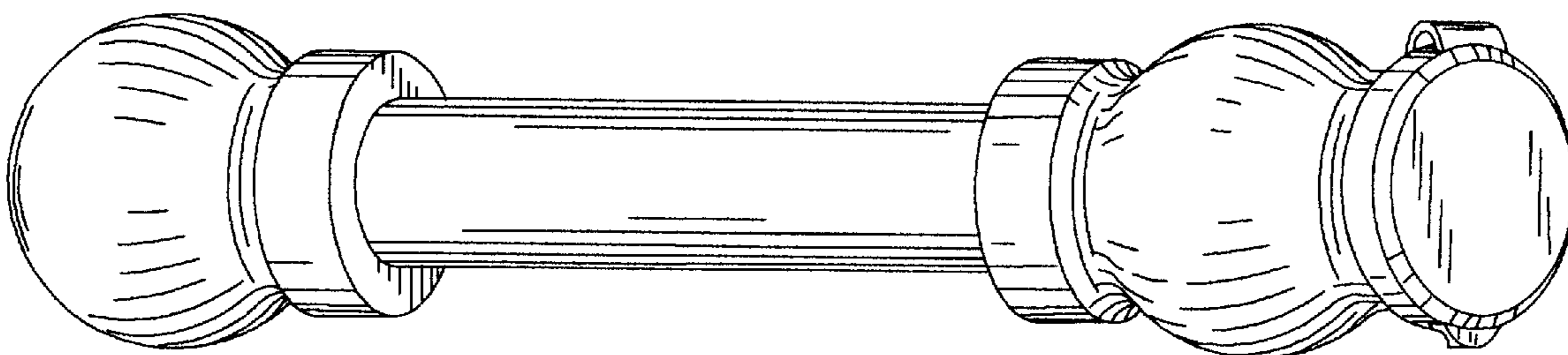
(57) **CLAIM**

The ornamental design for a locking rod device, as shown and described.

DESCRIPTION

- FIG. 1 is a perspective view showing dual head configuration.
- FIG. 2 is a side view showing dual head configuration.
- FIG. 3 is an end view showing head configuration.
- FIG. 4 is an end view showing locking head configuration; and,
- FIG. 5 is a perspective view showing locking head removed.

1 Claim, 2 Drawing Sheets



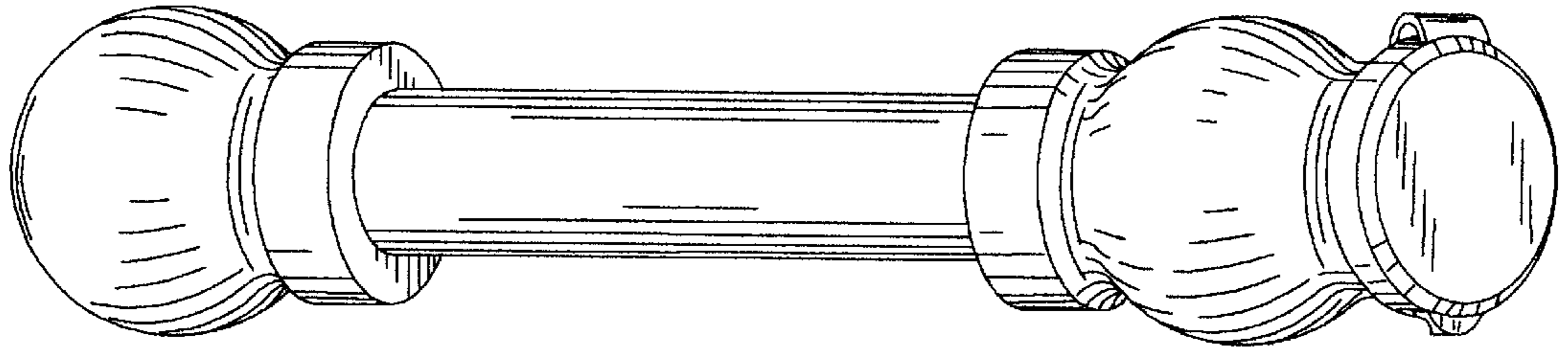


Fig. 1

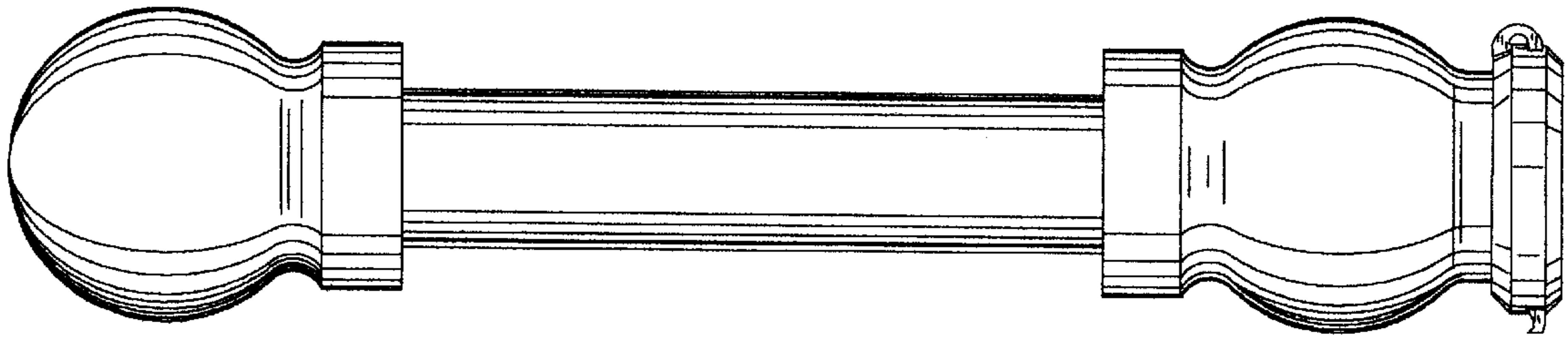


Fig. 2

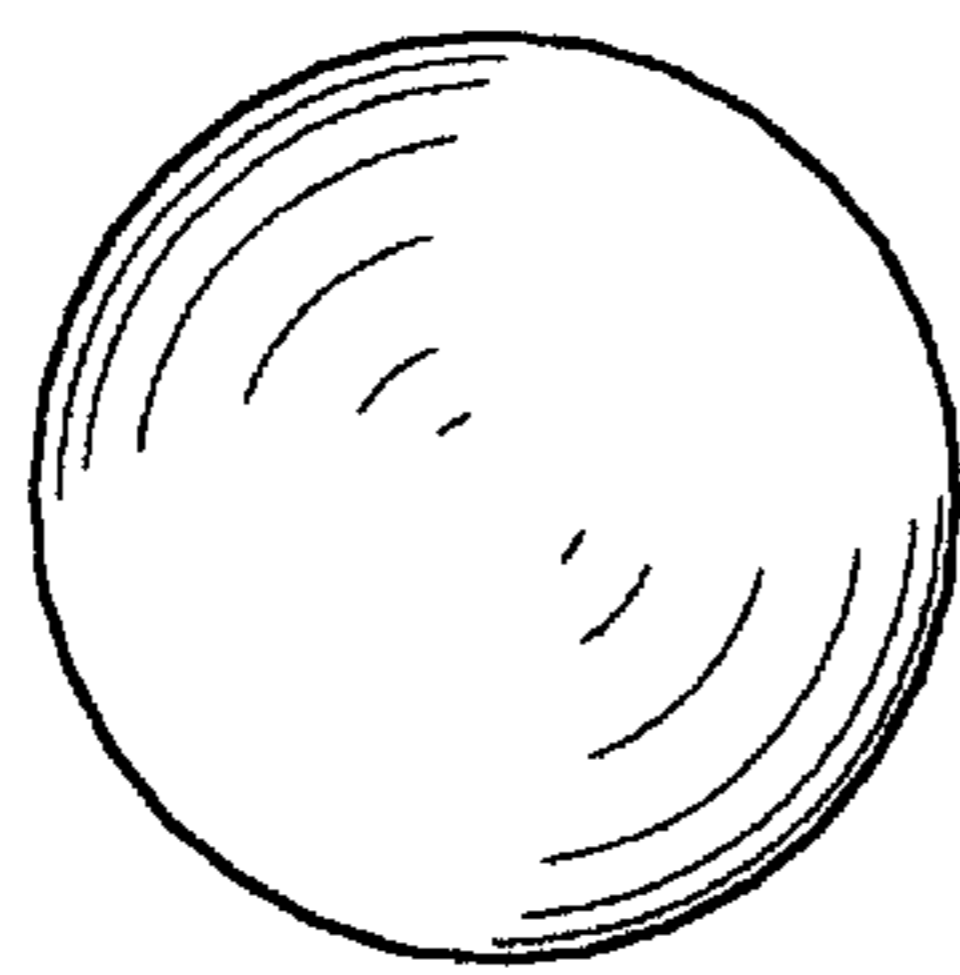


Fig. 3

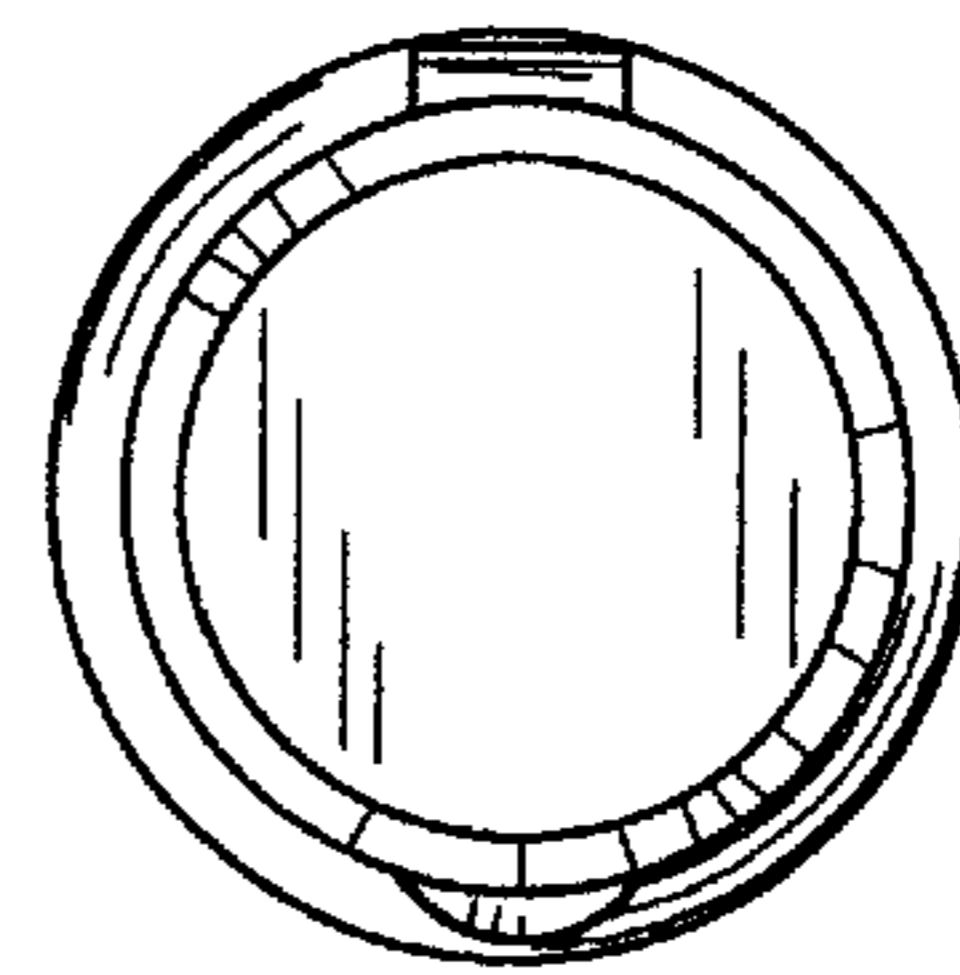


Fig. 4

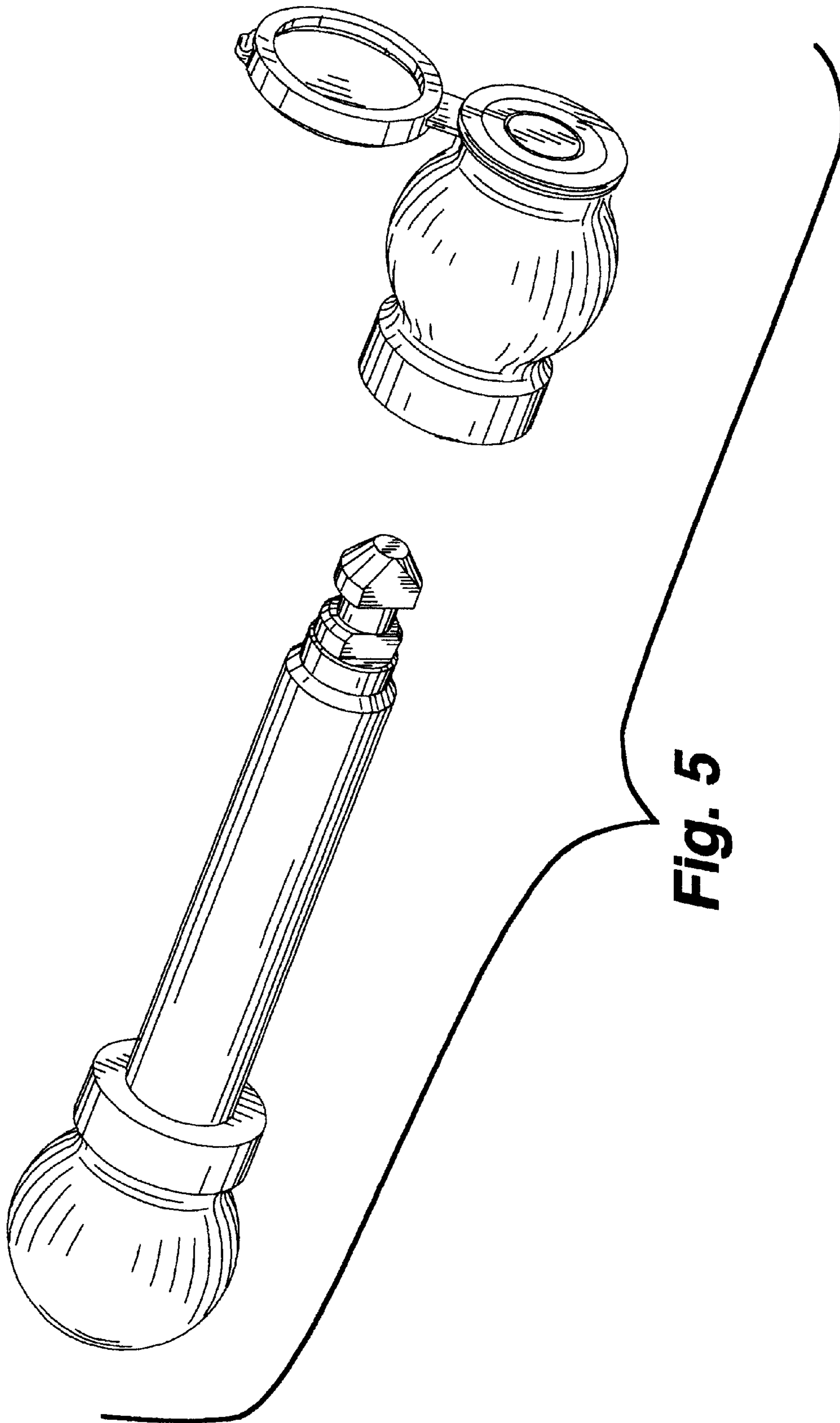


Fig. 5