



US00D484769S

(12) **United States Design Patent**
Cheung

(10) **Patent No.:** **US D484,769 S**

(45) **Date of Patent:** **** Jan. 6, 2004**

(54) **FINGER BLADE**

D352,440 S * 11/1994 Perigny D8/98
6,029,356 A * 2/2000 Sprinkle 30/298

(76) Inventor: **Maggie Cheung**, Block A1, 3/F, Tsing Yi Industrial Centre, Phase 1, Tsing Yi N.T., Hong Kong (CN)

* cited by examiner

(**) Term: **14 Years**

Primary Examiner—Philip S. Hyder

(74) *Attorney, Agent, or Firm*—James E. Brunton, Esq.

(21) Appl. No.: **29/170,942**

(57) **CLAIM**

The ornamental design for a finger blade, as shown.

(22) Filed: **Nov. 13, 2002**

DESCRIPTION

(51) **LOC (7) Cl.** **08-03**

FIG. 1 is a perspective view of a finger blade, showing my new design;

(52) **U.S. Cl.** **D8/98**

FIG. 2 is a front elevational view thereof;

(58) **Field of Search** D8/14, 98, 99;

FIG. 3 is a rear elevational view thereof;

30/296.1, 298, 291, 340

FIG. 4 is a right end elevational view thereof;

FIG. 5 is a left end elevational view thereof;

(56) **References Cited**

U.S. PATENT DOCUMENTS

3,674,035 A * 7/1972 Edmiston 30/298

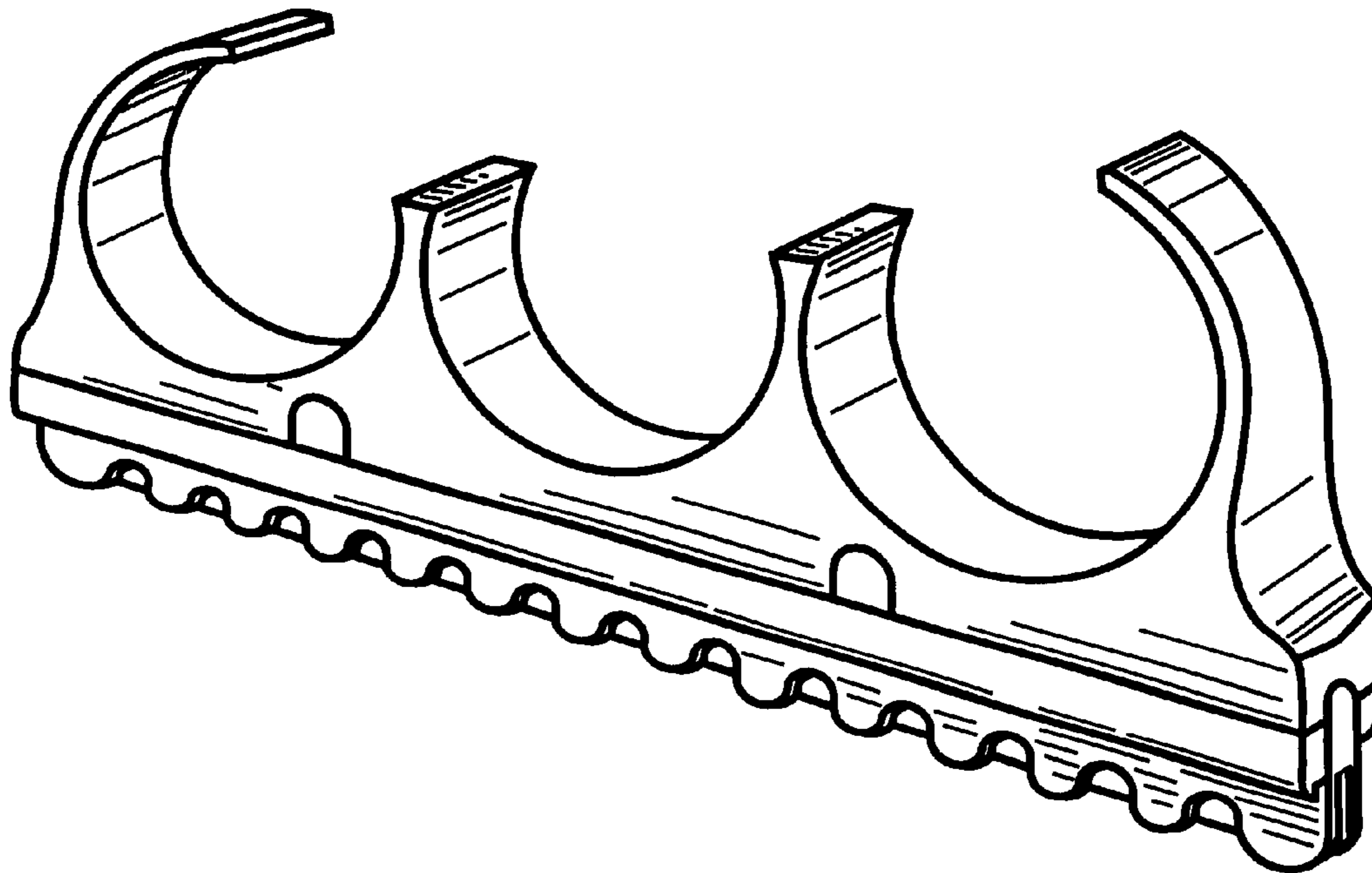
4,703,561 A * 11/1987 Parisek 30/298

5,357,680 A * 10/1994 Monistere 30/298

FIG. 6 is a top plan view thereof; and,

FIG. 7 is a bottom plan view thereof.

1 Claim, 3 Drawing Sheets



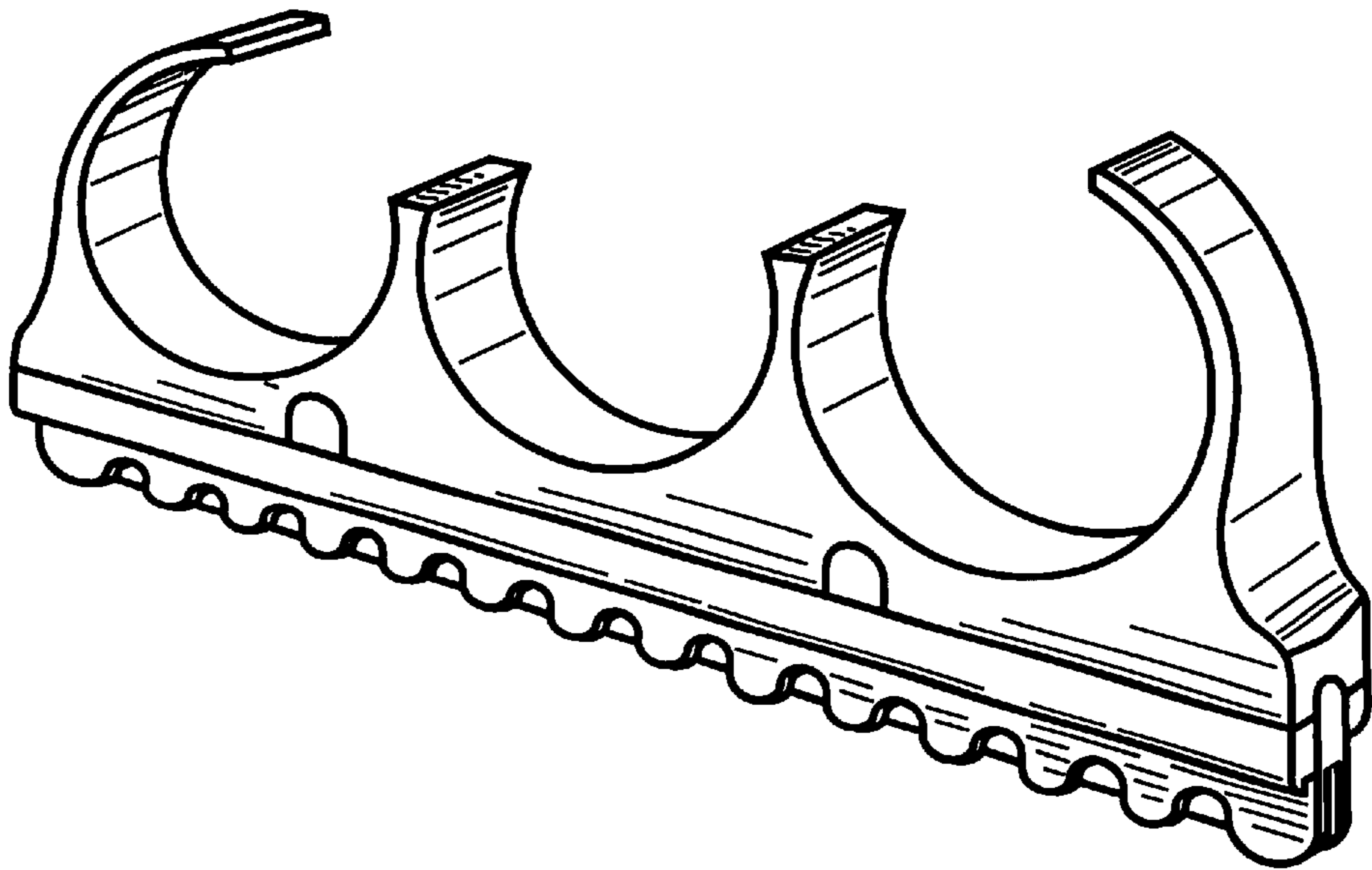


Fig. 1

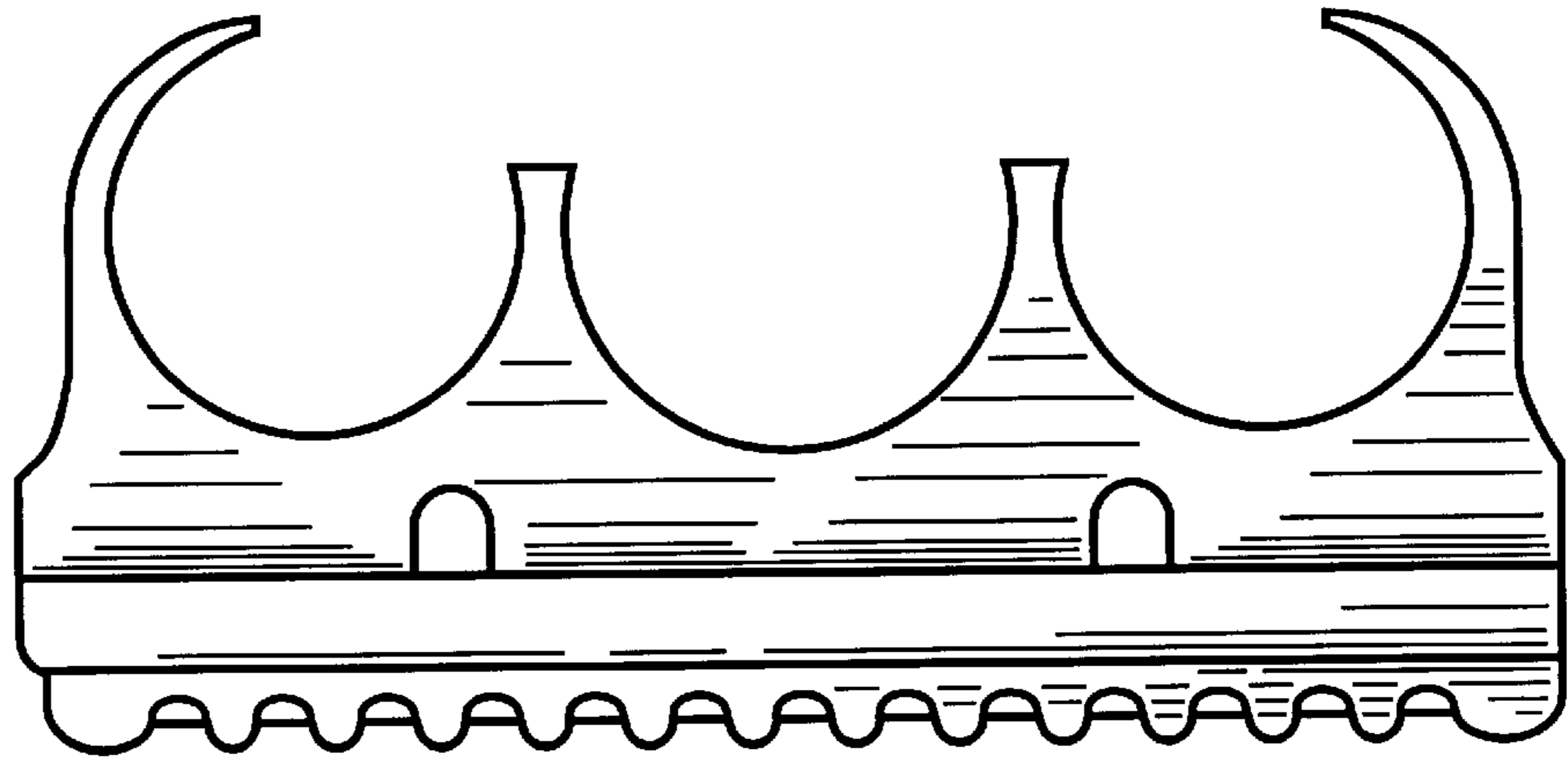


Fig. 2

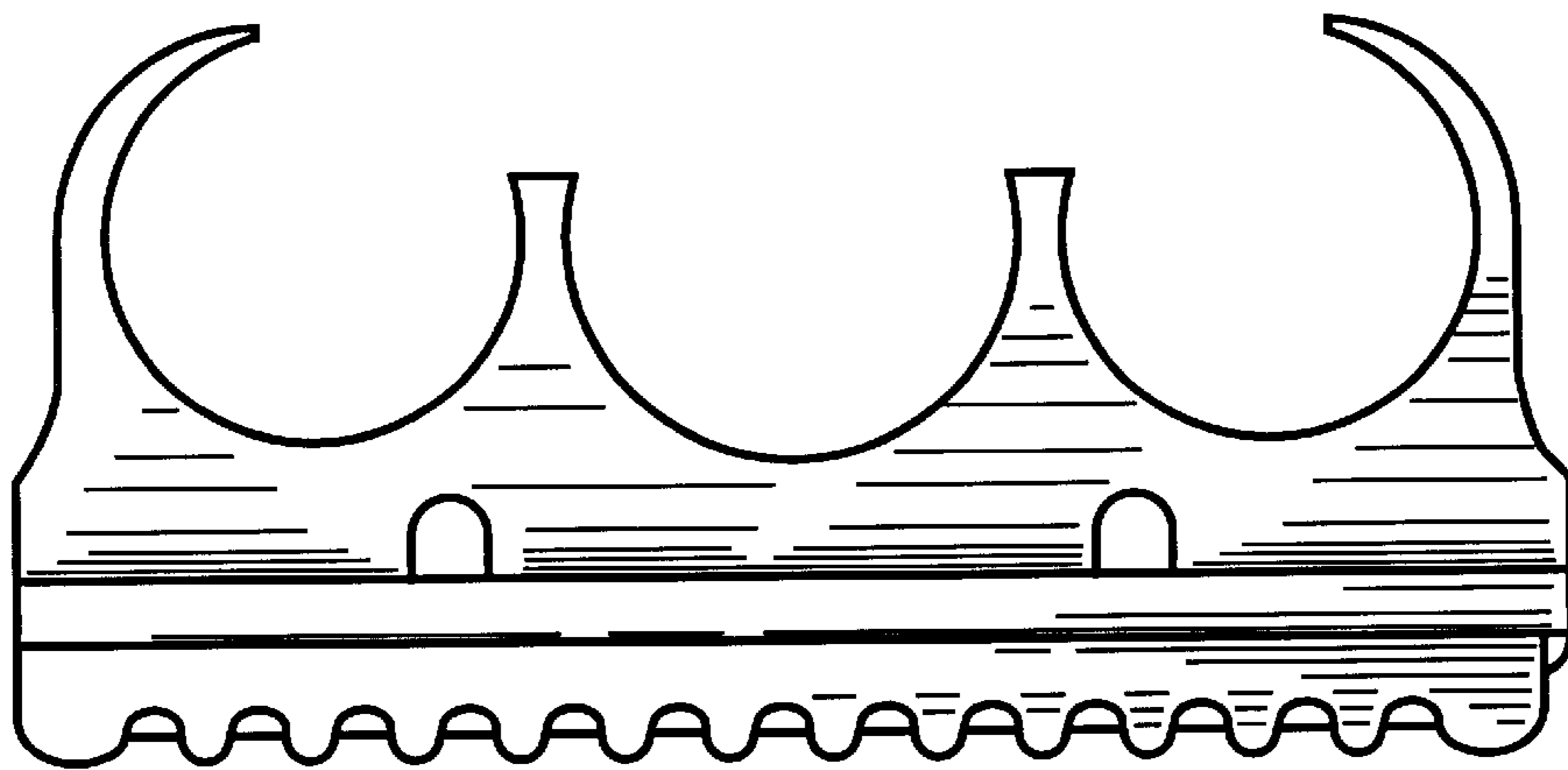


Fig. 3

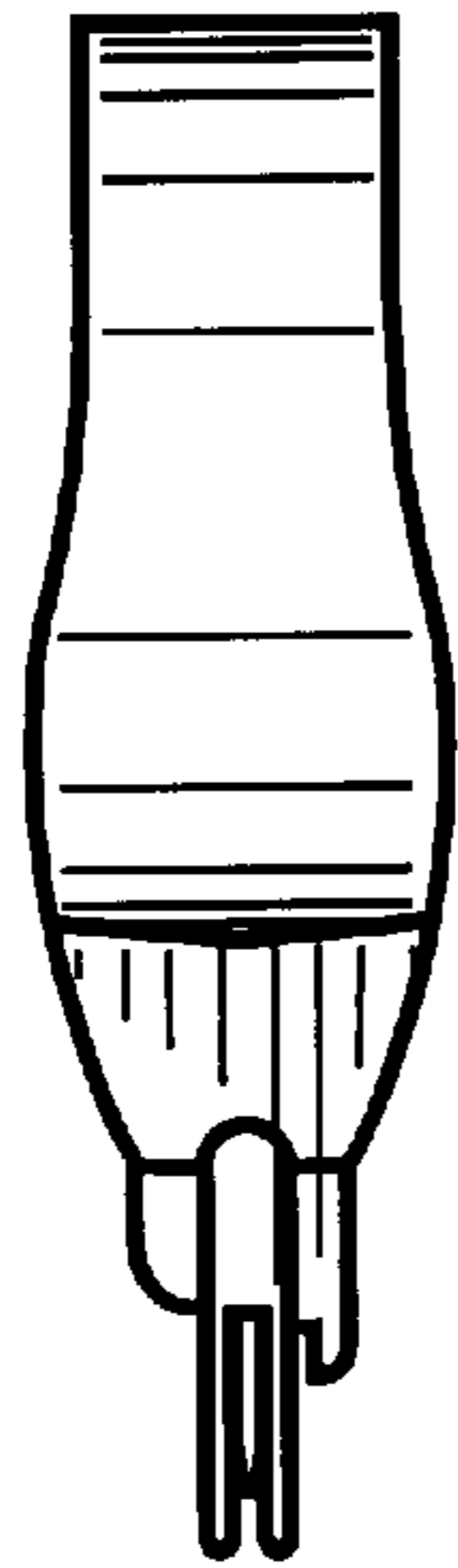


Fig. 4

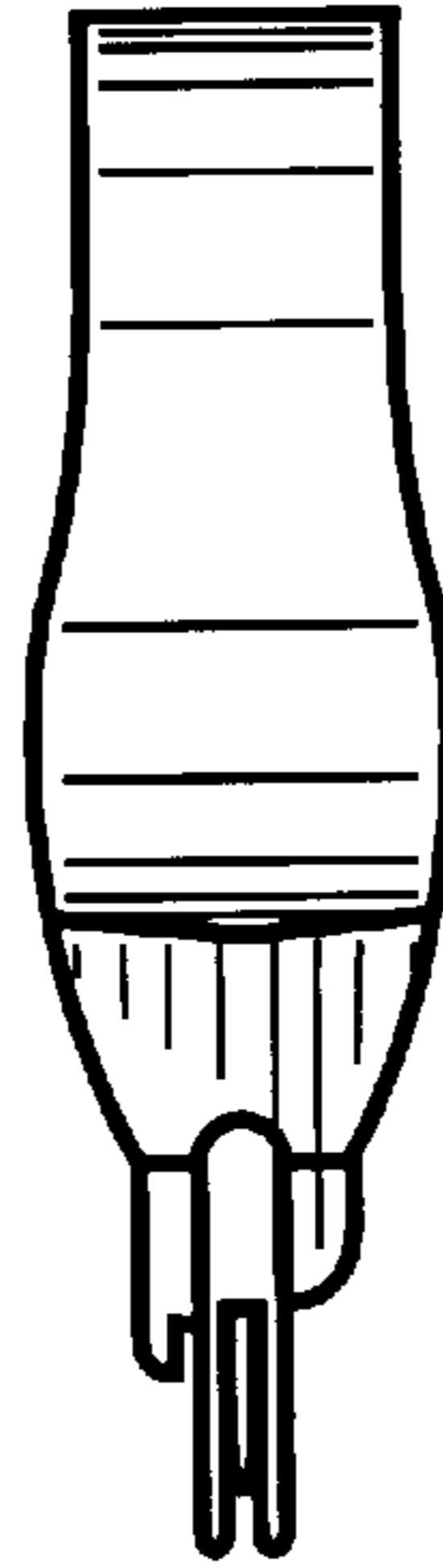


Fig. 5

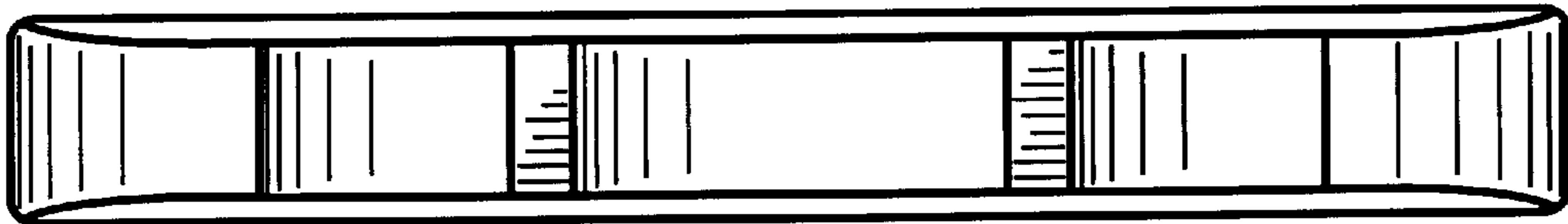


Fig. 6

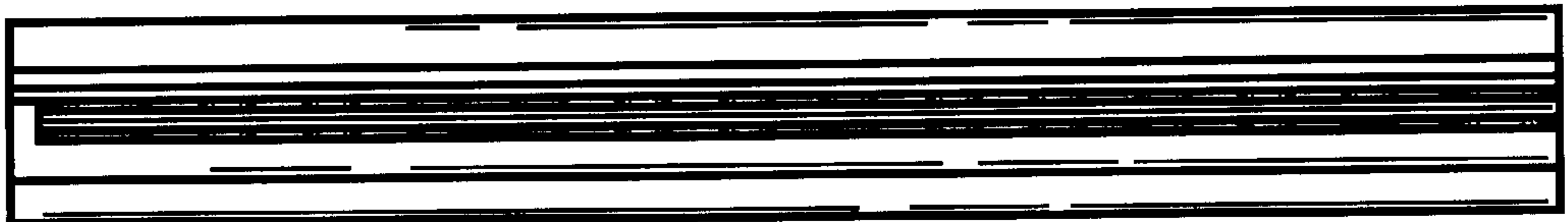


Fig. 7