



US00D484768S

(12) **United States Design Patent**  
**Warfel et al.**

(10) **Patent No.:** **US D484,768 S**

(45) **Date of Patent:** **\*\* Jan. 6, 2004**

(54) **DRIVE SOCKET**

(75) Inventors: **Paul A. Warfel**, Texarkana, TX (US);  
**Mike Wallace**, Wake Village, TX (US);  
**Rodney W. Tynes**, Shreveport, LA  
(US); **Tony Cochran**, Texarkana, TX  
(US); **Jeffrey S. Franke**, Texarkana, TX  
(US)

(73) Assignee: **Electrolux Home Products, Inc.**,  
Cleveland, OH (US)

(\*\*) Term: **14 Years**

(21) Appl. No.: **29/176,260**

(22) Filed: **Feb. 20, 2003**

(51) **LOC (7) Cl.** ..... **08-04**

(52) **U.S. Cl.** ..... **D8/86; D8/29**

(58) **Field of Search** ..... D8/29, 86; 81/119,  
81/121.1, 124.3, 124.4, 124.6, 124.7, 125,  
436, 437

(56) **References Cited**

**U.S. PATENT DOCUMENTS**

4,126,063 A \* 11/1978 Palmer ..... 81/124.6

5,476,024 A \* 12/1995 Hsieh ..... 81/121.1  
D398,823 S \* 9/1998 Hsieh ..... D8/29  
5,832,792 A \* 11/1998 Hsieh ..... 81/124.6  
D441,264 S \* 5/2001 Bruns et al. .... D8/29  
6,382,053 B1 \* 5/2002 Macor ..... 81/121.1  
D474,382 S \* 5/2003 Tsai ..... D8/29

\* cited by examiner

*Primary Examiner*—Philip S. Hyder

(74) *Attorney, Agent, or Firm*—Pearne & Gordon LLP

(57) **CLAIM**

The ornamental design for a drive socket, as shown and described.

**DESCRIPTION**

FIG. 1 is perspective view of a drive socket, showing our new design.

FIG. 2 is an enlarged perspective view thereof.

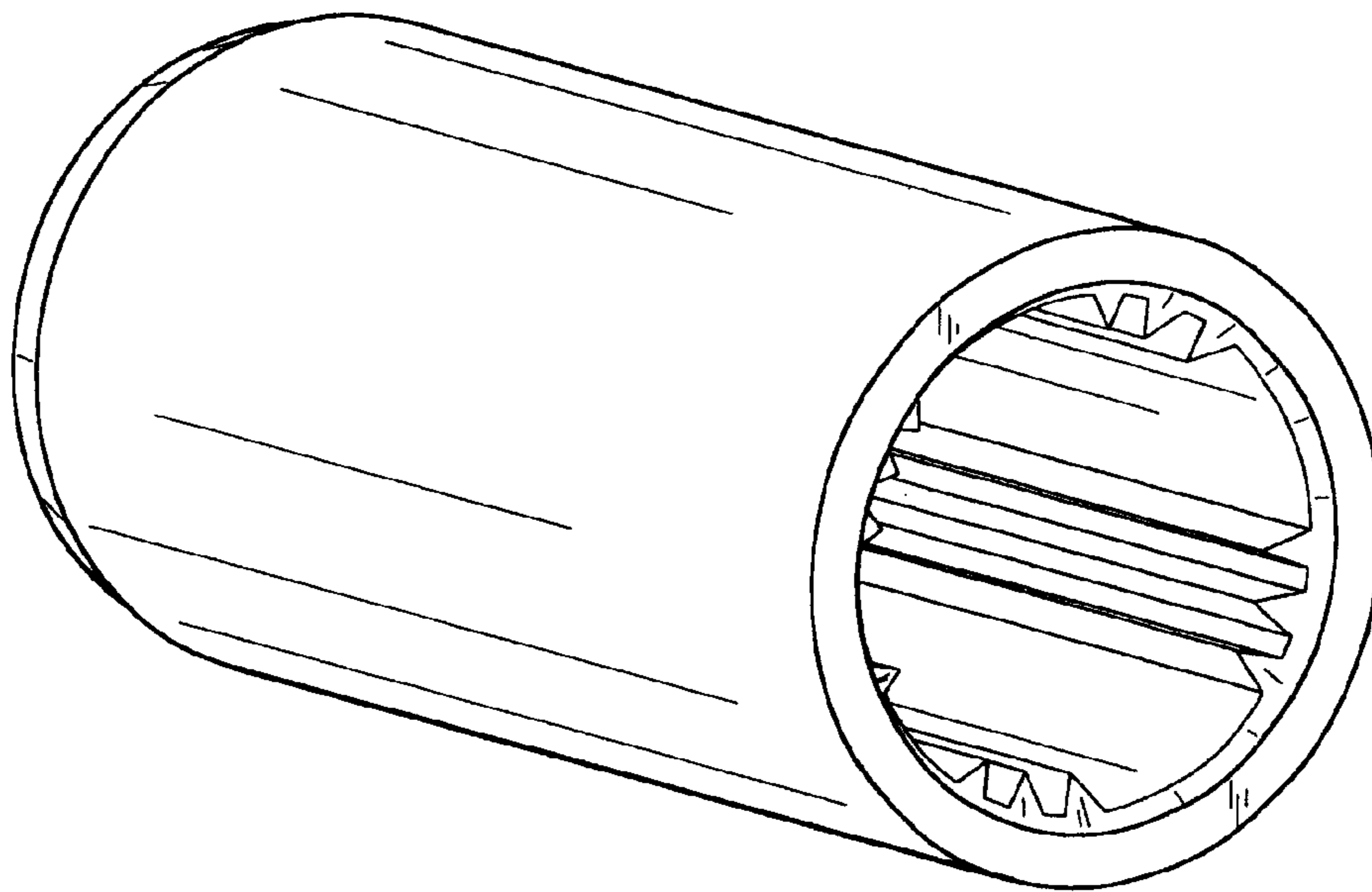
FIG. 3 is a side view thereof.

FIG. 4 is an end view thereof; and,

FIG. 5 is an opposite end view thereof.

The broken line showing the drive socket tool handle in FIG. 1 is for illustration purposes only and forms no part of the claimed design.

**1 Claim, 2 Drawing Sheets**



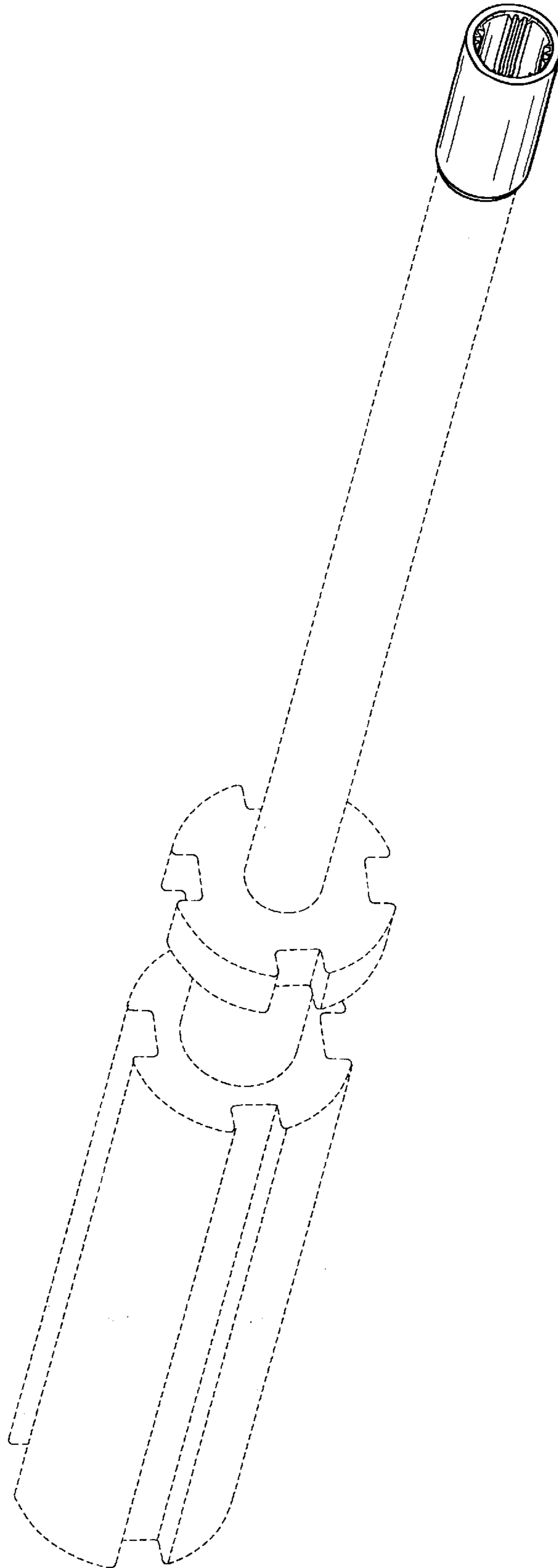


FIG. 1

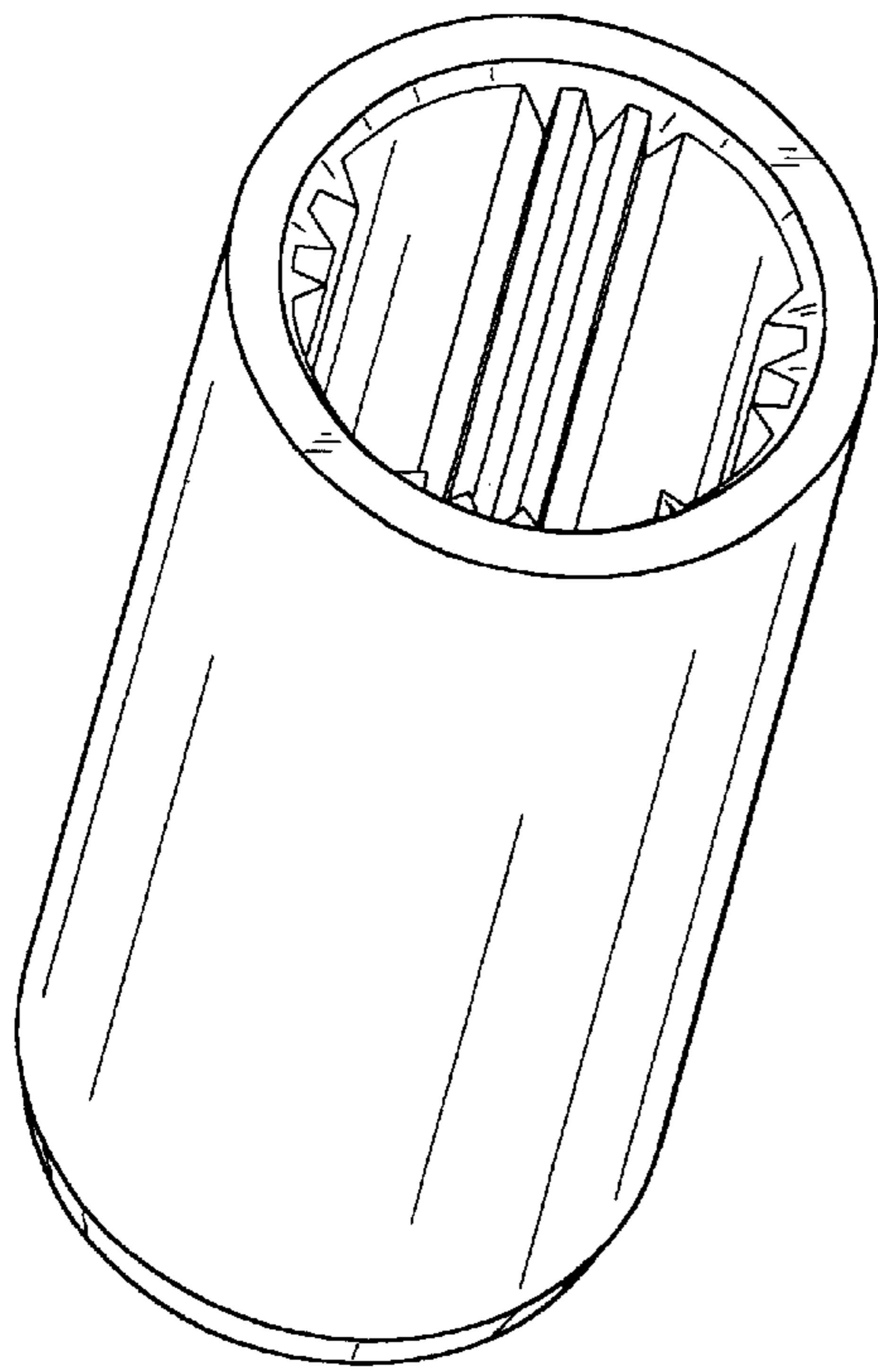


FIG. 2

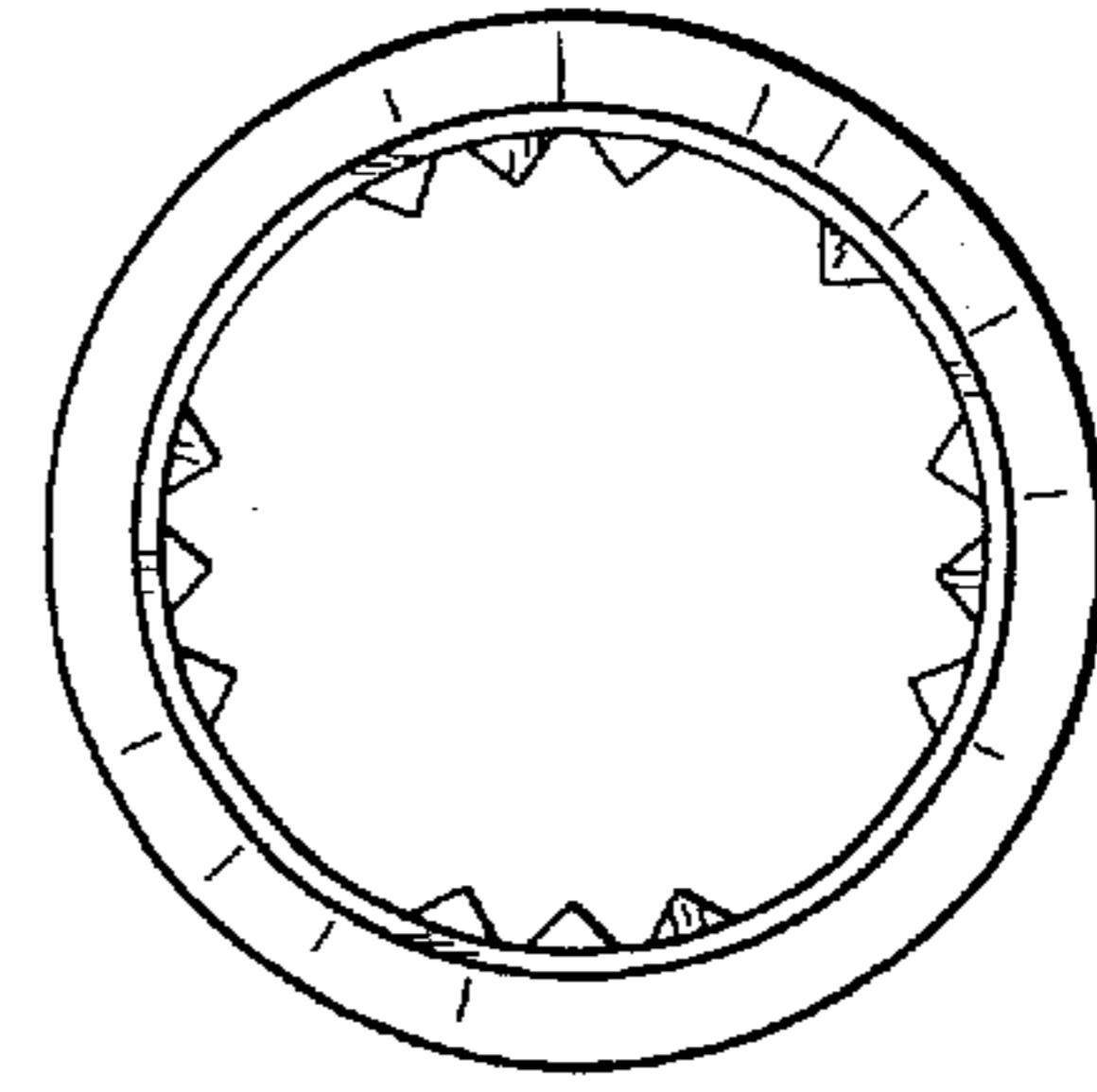


FIG. 5

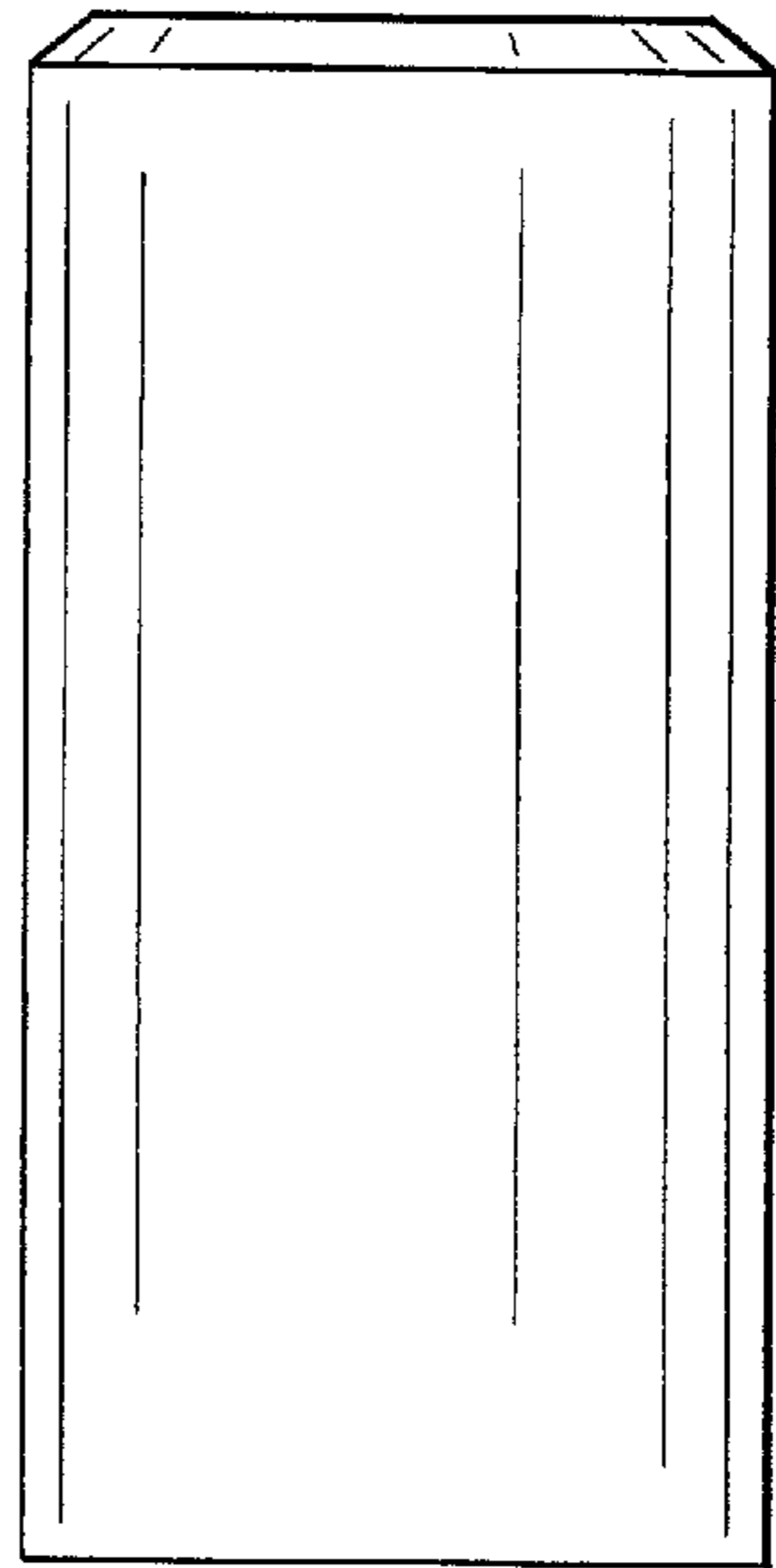


FIG. 4

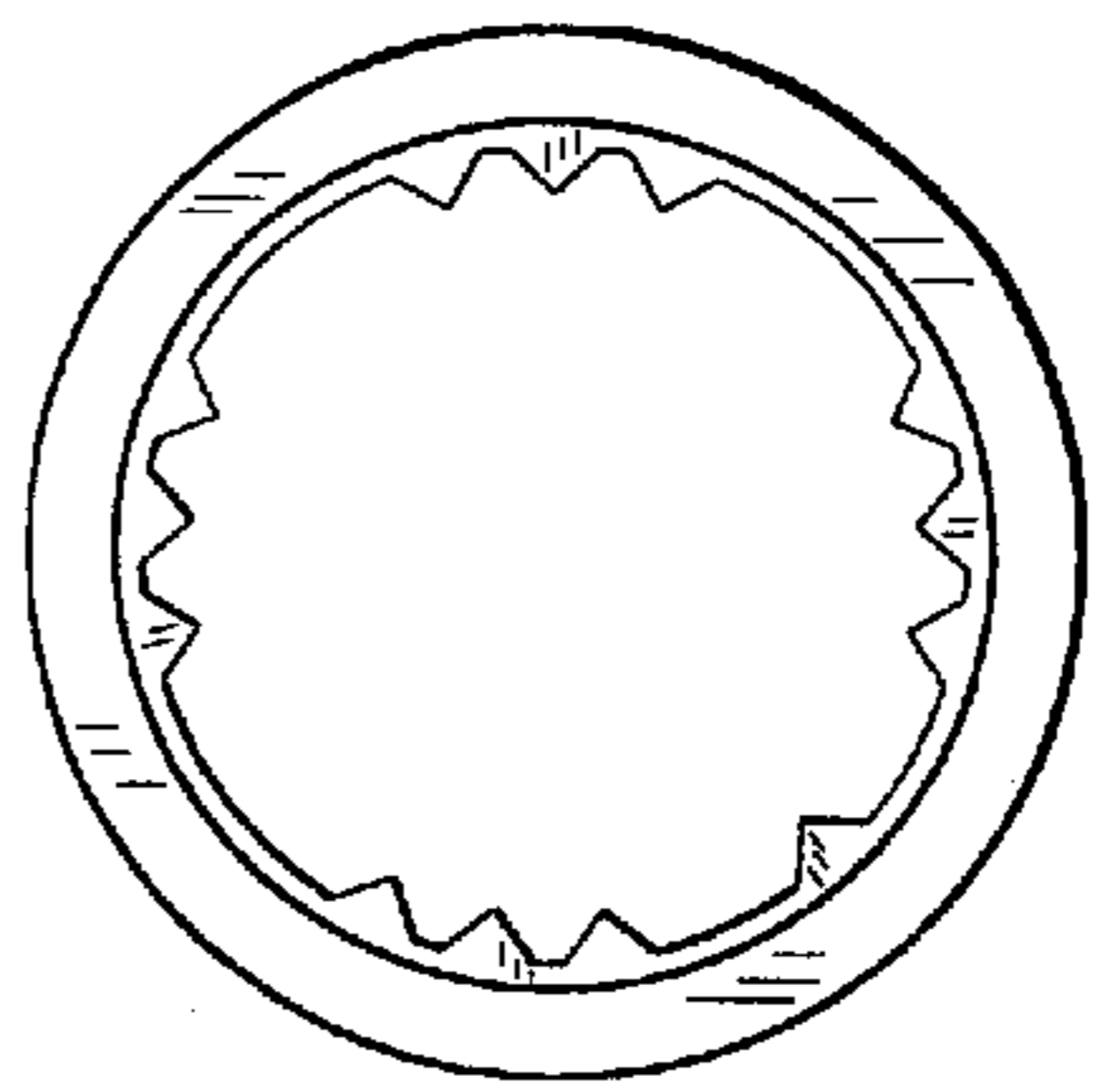


FIG. 3