



US00D484766S

(12) **United States Design Patent**  
**Slack**

(10) **Patent No.:** **US D484,766 S**

(45) **Date of Patent:** **\*\* Jan. 6, 2004**

(54) **LAMINATING CLAMP**

(76) **Inventor:** **Robert Slack**, P.O. Box 243, Milam,  
TX (US) 75959

(\*\*) **Term:** **14 Years**

(21) **Appl. No.:** **29/171,065**

(22) **Filed:** **Nov. 15, 2002**

(51) **LOC (7) Cl.** ..... **08-05**

(52) **U.S. Cl.** ..... **D8/72**

(58) **Field of Search** ..... D8/72-74, 71;  
269/166, 37, 285, 286, 88, 86, 168

(56) **References Cited**

**U.S. PATENT DOCUMENTS**

1,269,262	A	*	6/1918	Crawford	.....	269/88
4,555,100	A	*	11/1985	Ditto	.....	269/166
D283,197	S	*	4/1986	Pappas	.....	D8/72
4,580,769	A	*	4/1986	Pappas	.....	269/88

\* cited by examiner

*Primary Examiner*—Louis S. Zarfaz  
*Assistant Examiner*—Gregory Andoll  
(74) *Attorney, Agent, or Firm*—C. W. Alworth

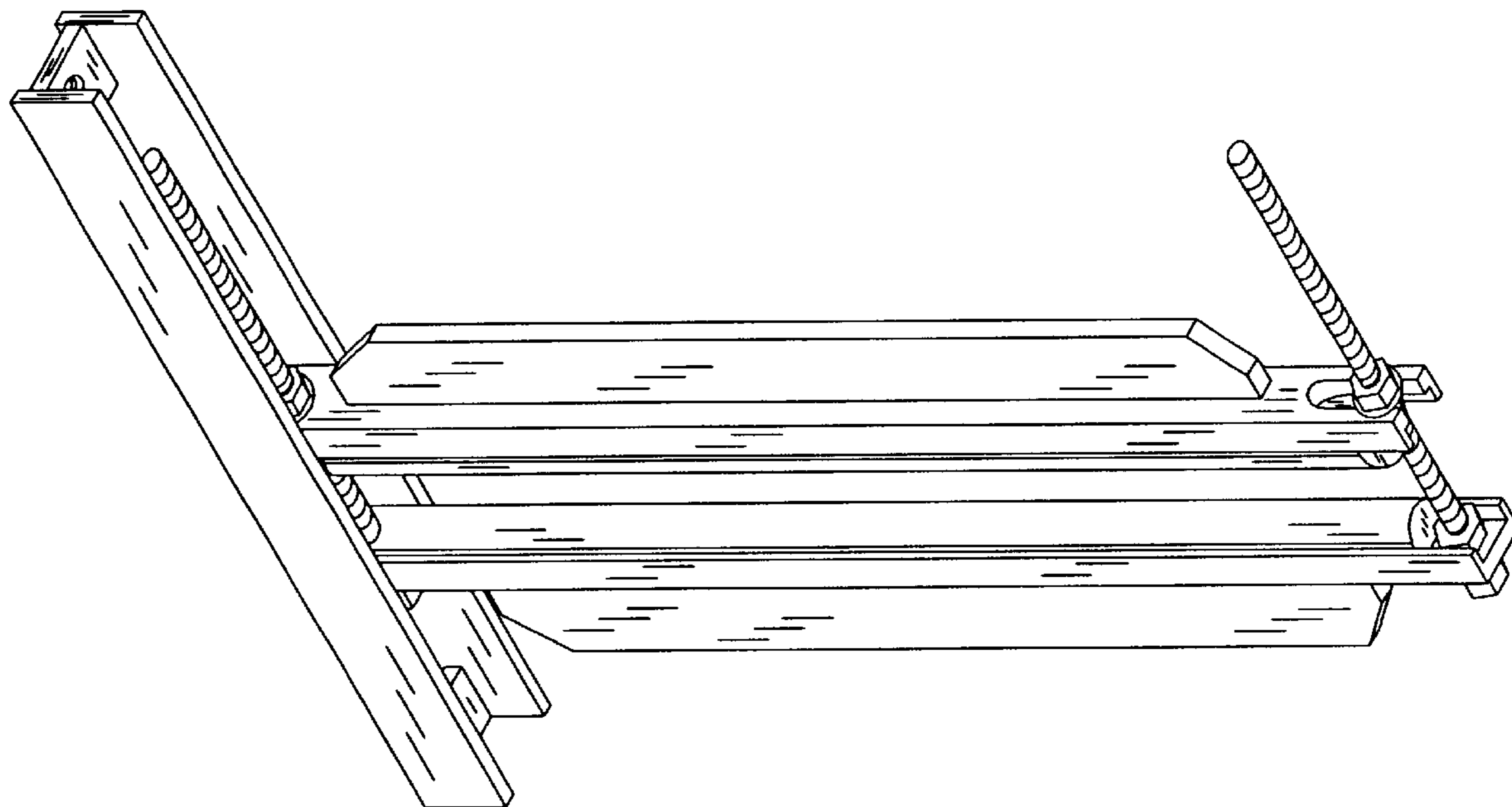
(57) **CLAIM**

The ornamental design for a laminating clamp, as shown and described.

**DESCRIPTION**

FIG. 1 is a perspective view of a laminating clamp, with the front at the right side of the figure, showing my new design; FIG. 2 is a side view thereof; FIG. 3 is the opposite side view thereof; FIG. 4 is a front view thereof, enlarged to better show details; FIG. 5 is a rear view thereof; FIG. 6 is a top view thereof, further enlarged to better show details; and, FIG. 7 is a bottom view thereof.

**1 Claim, 7 Drawing Sheets**



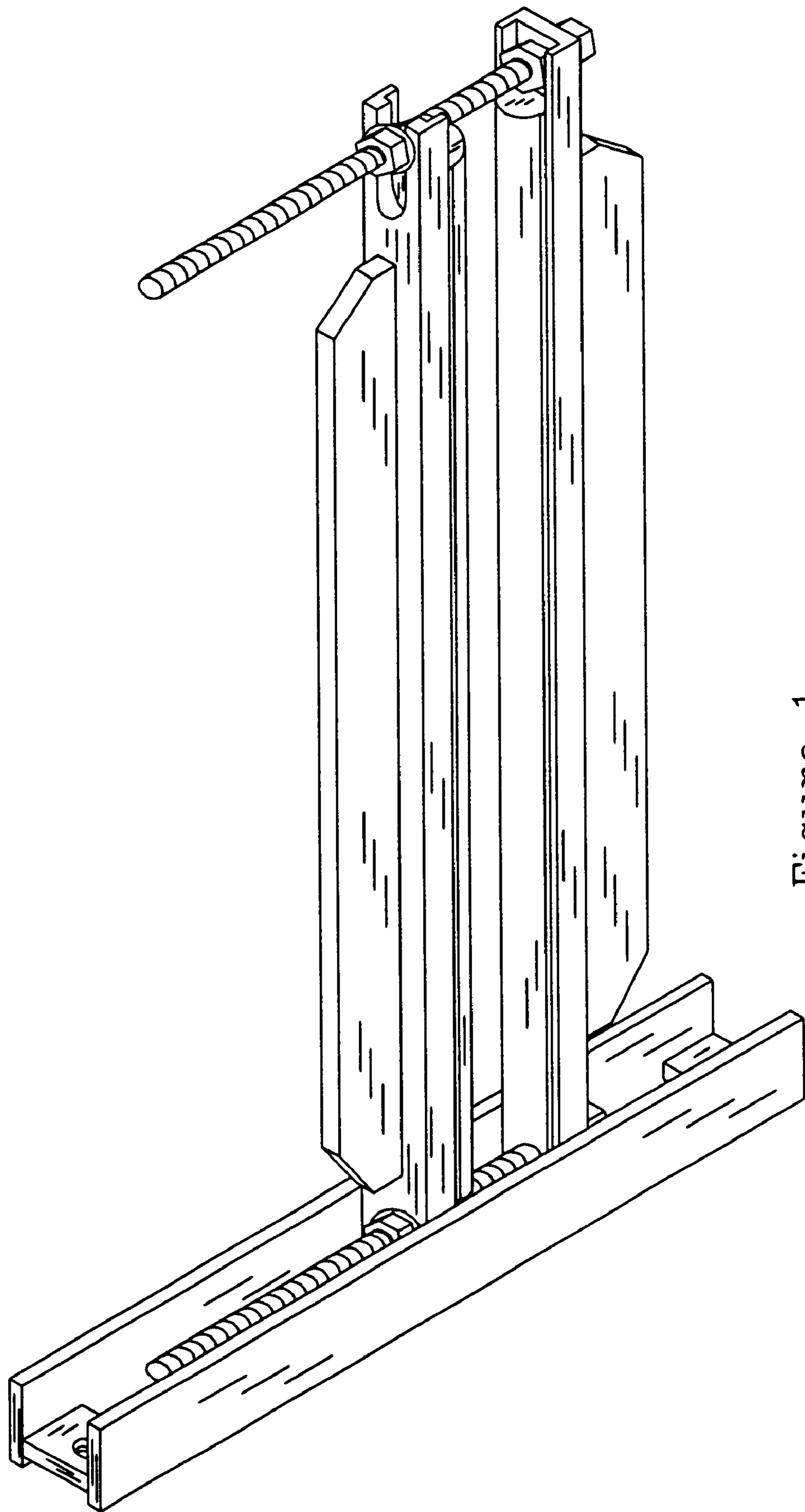


Figure 1

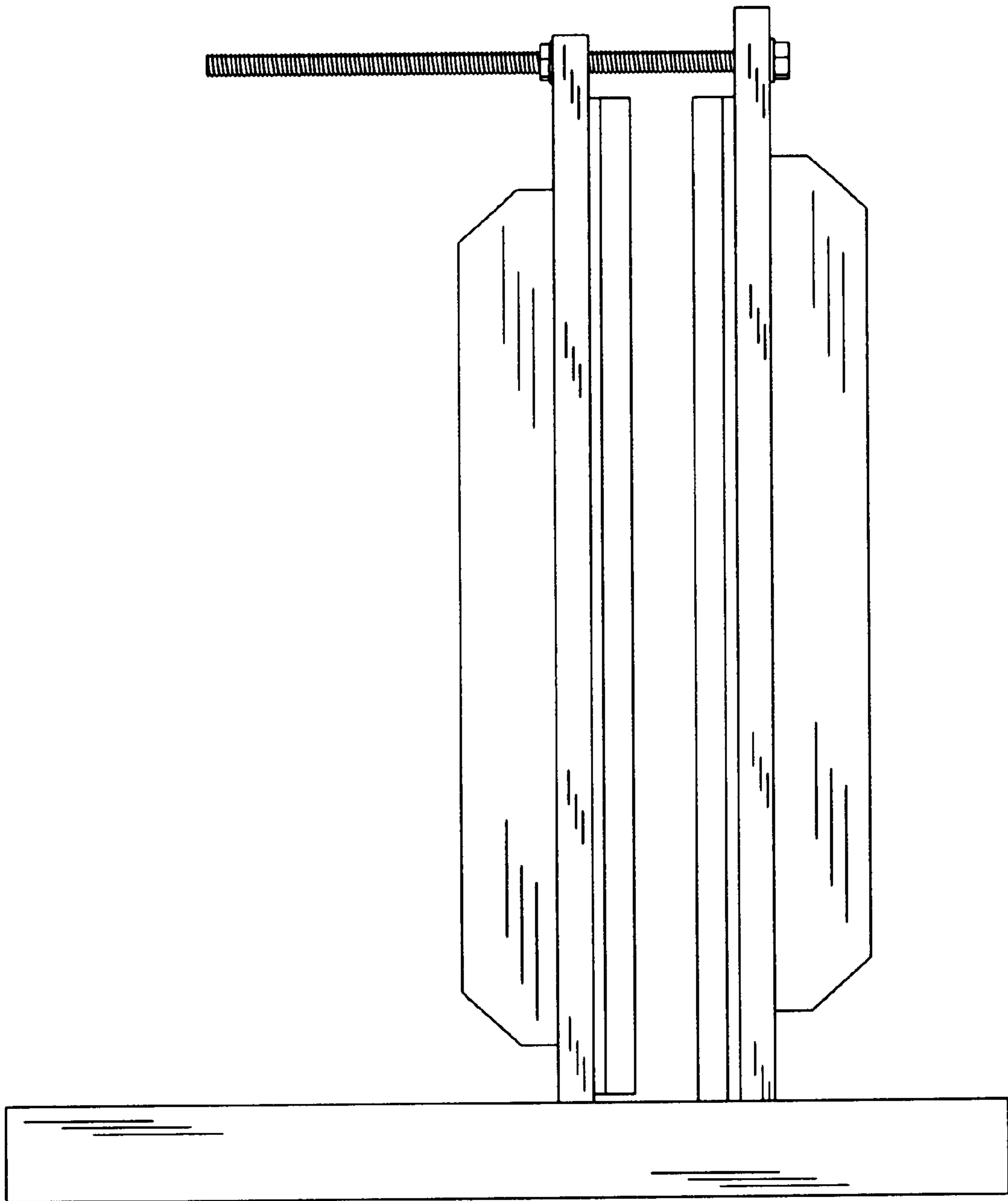


Figure 2

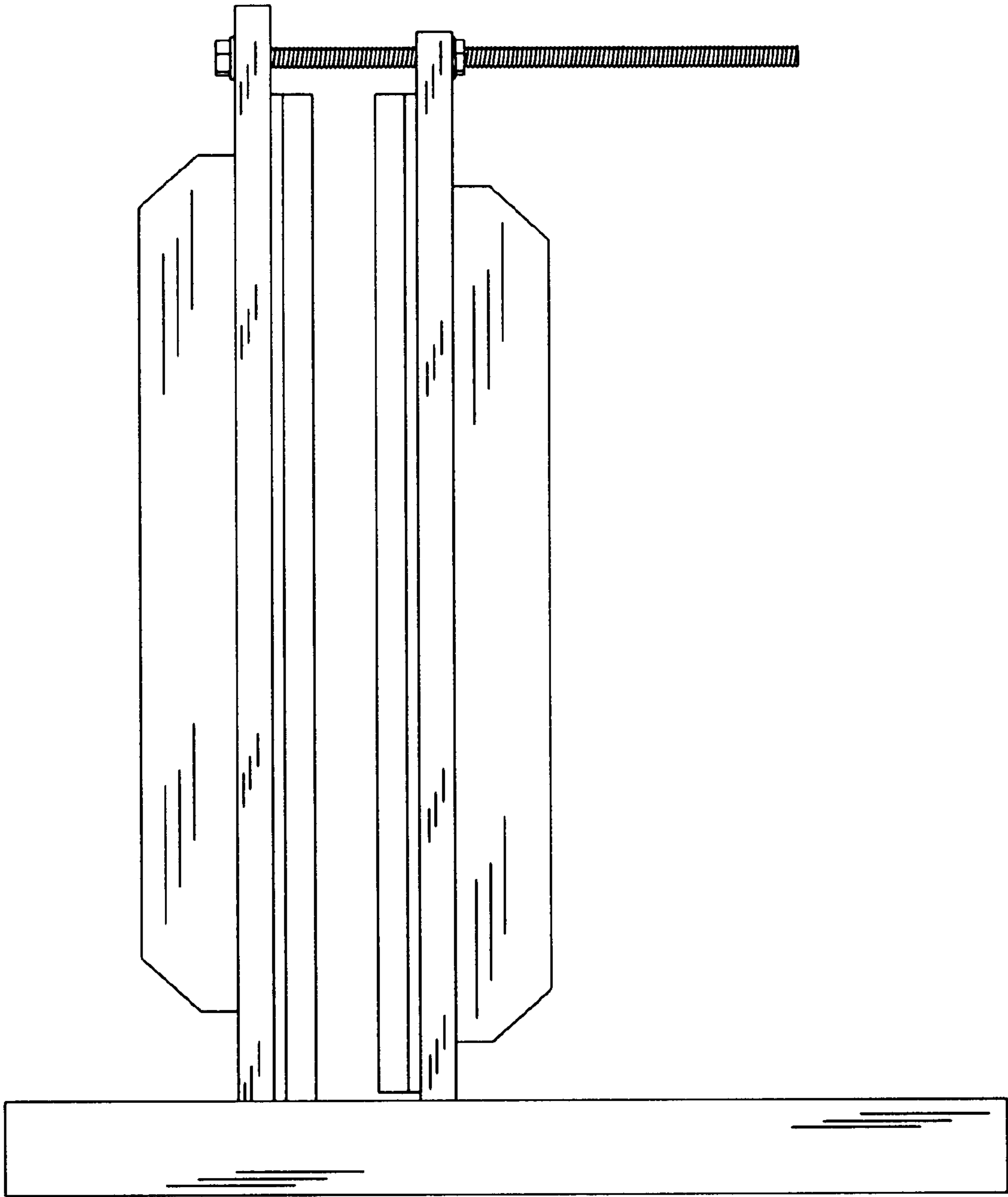


Figure 3

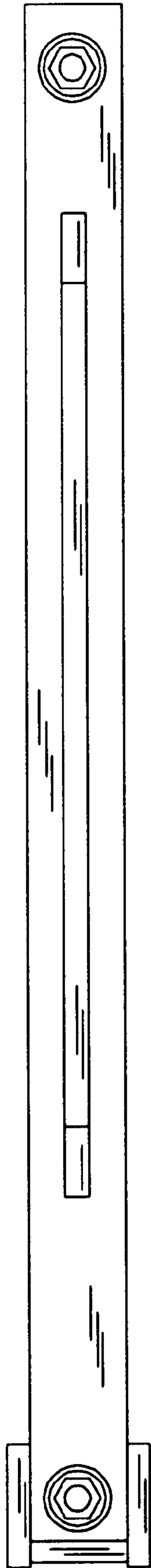


Figure 4

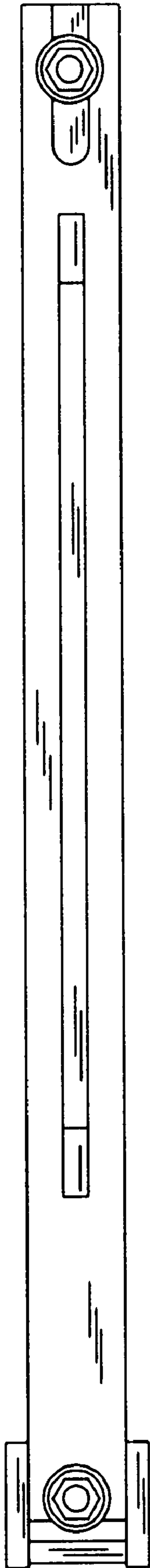


Figure 5

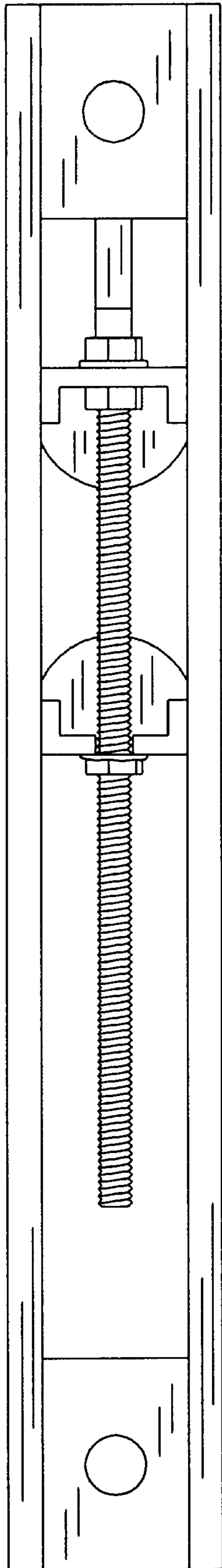


Figure 6

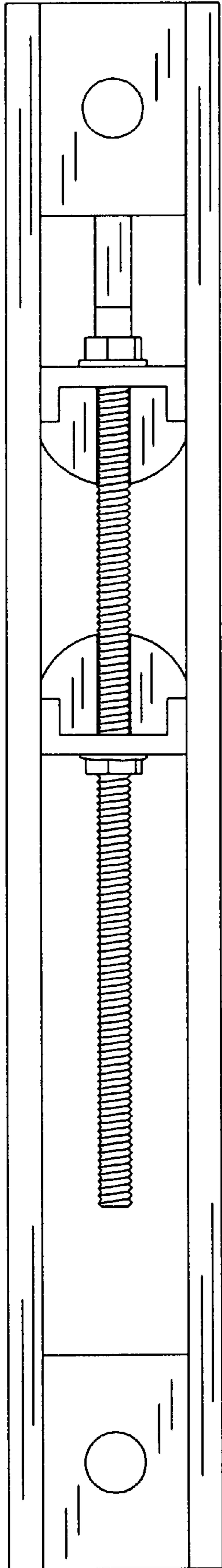


Figure 7