



US00D484764S

(12) **United States Design Patent**
Ho

(10) **Patent No.:** **US D484,764 S**

(45) **Date of Patent:** **** Jan. 6, 2004**

(54) **BODY OF PNEUMATIC HAMMER**

(75) Inventor: **Kuo Chuan Ho**, Taichung (TW)

(73) Assignee: **Nailermate Enterprise Corporation**,
Taipei (TW)

(**) Term: **14 Years**

(21) Appl. No.: **29/178,952**

(22) Filed: **Mar. 31, 2003**

(51) **LOC (7) Cl.** **08-02**

(52) **U.S. Cl.** **D8/68**

(58) **Field of Search** D8/14.1, 61, 62,
D8/63, 64, 65, 66, 67, 68, 69, 70; 81/57.11,
429, 464, 465, 466, 469, 489; 173/13, 169,
178, 213, 217; 227/8, 114, 120, 130, 136,
142; 310/50; 408/20, 124, 125, 234, 241 R;
451/358

(56) **References Cited**

U.S. PATENT DOCUMENTS

D316,022 S	*	4/1991	Moraht	D8/68
D334,329 S	*	3/1993	Ogawa et al.	D8/68
D348,382 S	*	7/1994	Kaiser	D8/69
D353,664 S	*	12/1994	Eminger et al.	D8/69
D379,912 S	*	6/1997	Burke et al.	D8/68

5,715,982 A	*	2/1998	Adachi	227/142
5,743,455 A	*	4/1998	Holliday	227/142
5,803,338 A	*	9/1998	Singer et al.	227/8
6,036,072 A	*	3/2000	Lee	227/120
6,173,877 B1	*	1/2001	Wingert	227/120
6,296,167 B1	*	10/2001	Jen	227/136
D474,091 S	*	5/2003	Arai	D8/69

* cited by examiner

Primary Examiner—Doris V. Coles
Assistant Examiner—T. Chase Nelson
(74) *Attorney, Agent, or Firm*—Charles E. Baxley

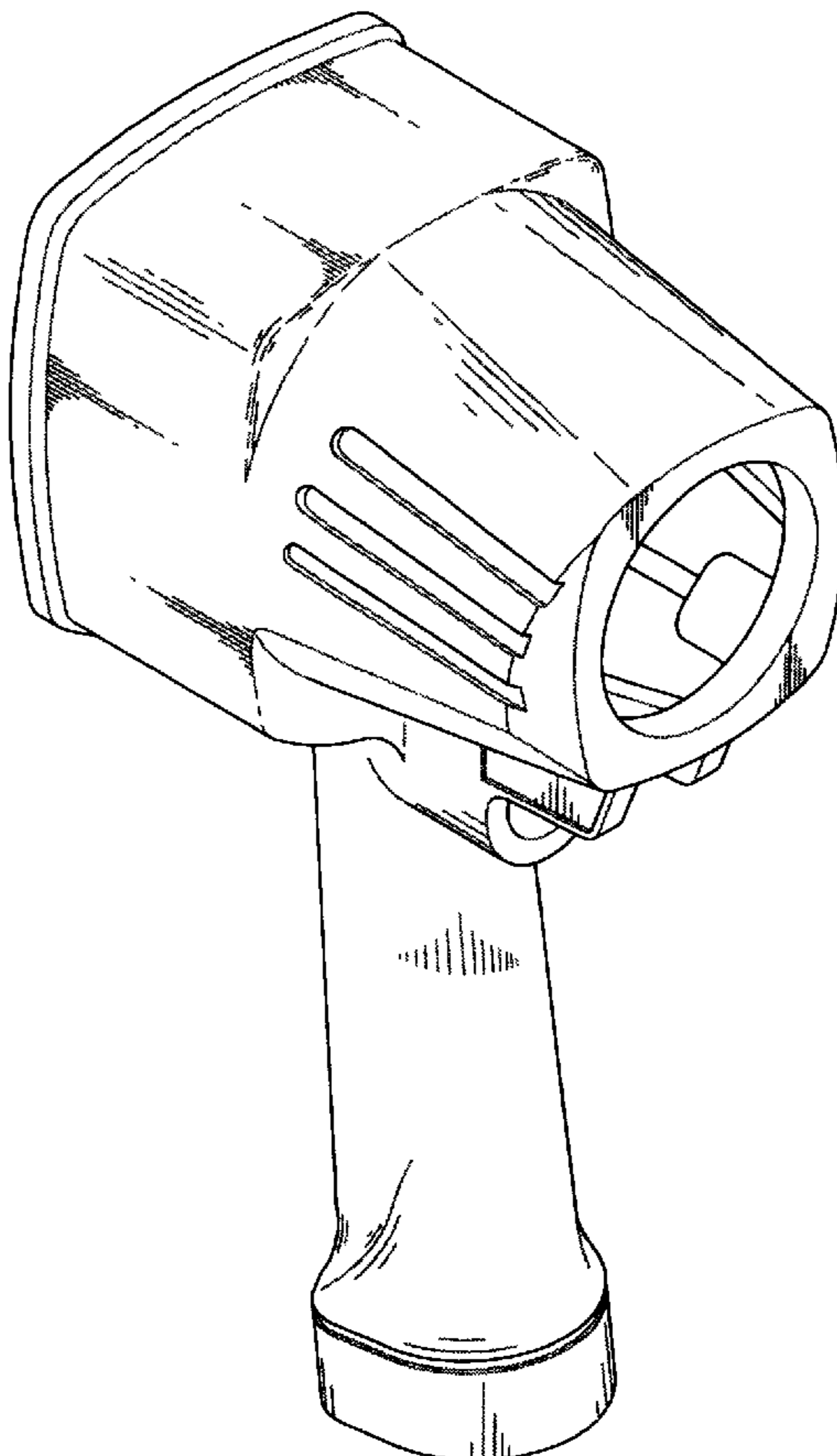
(57) **CLAIM**

The ornamental design for a body of pneumatic hammer, as shown and described.

DESCRIPTION

FIG. 1 is a front-right-top perspective view of a body of pneumatic hammer, showing my new design;
FIG. 2 is a front elevational view thereof; (the rear side being a mirror image thereof)
FIG. 3 is a right elevational view thereof;
FIG. 4 is a left elevational view thereof;
FIG. 5 is a top plan view thereof; and,
FIG. 6 is a bottom plan view thereof.

1 Claim, 2 Drawing Sheets



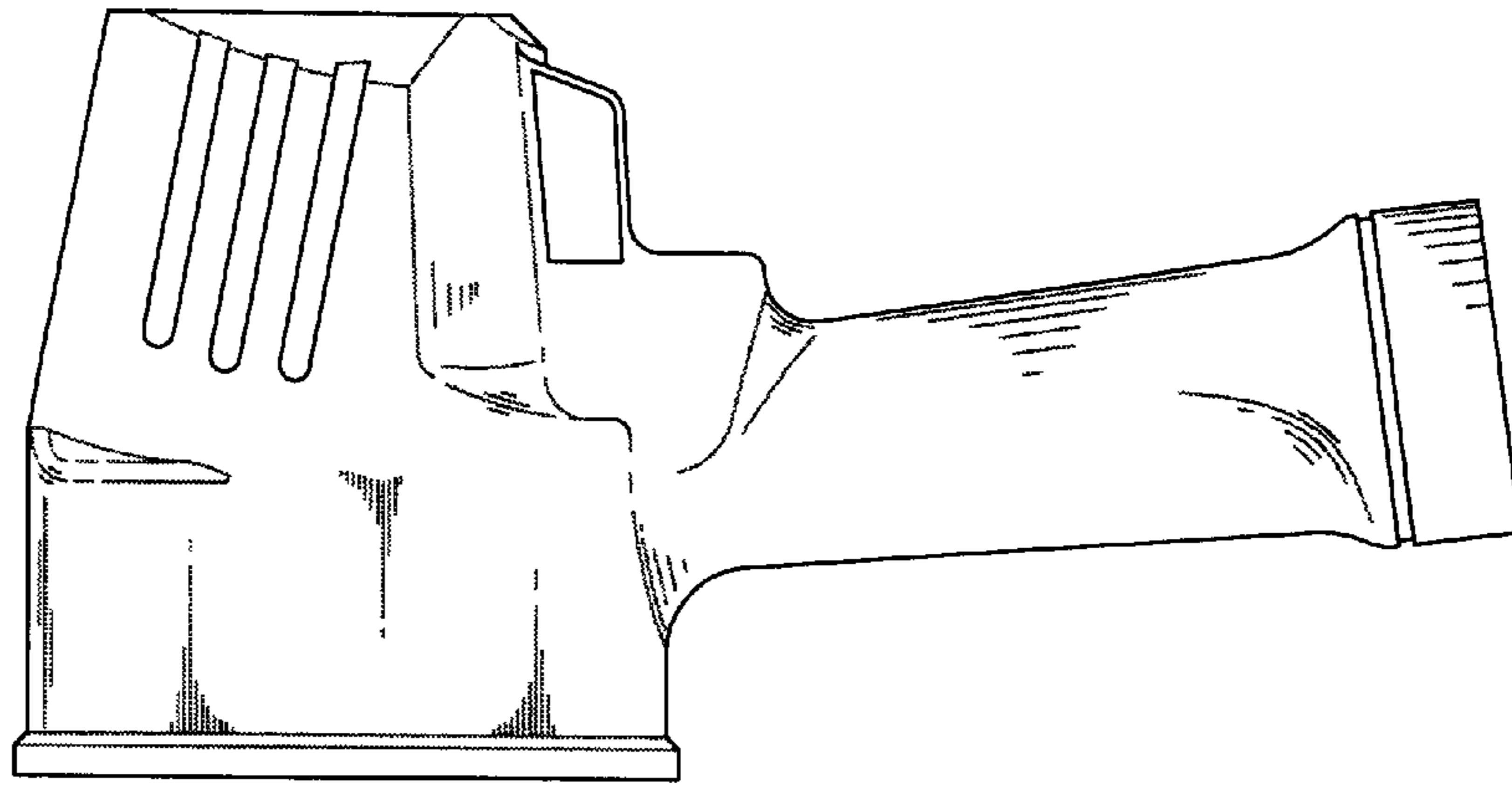


FIG. 2

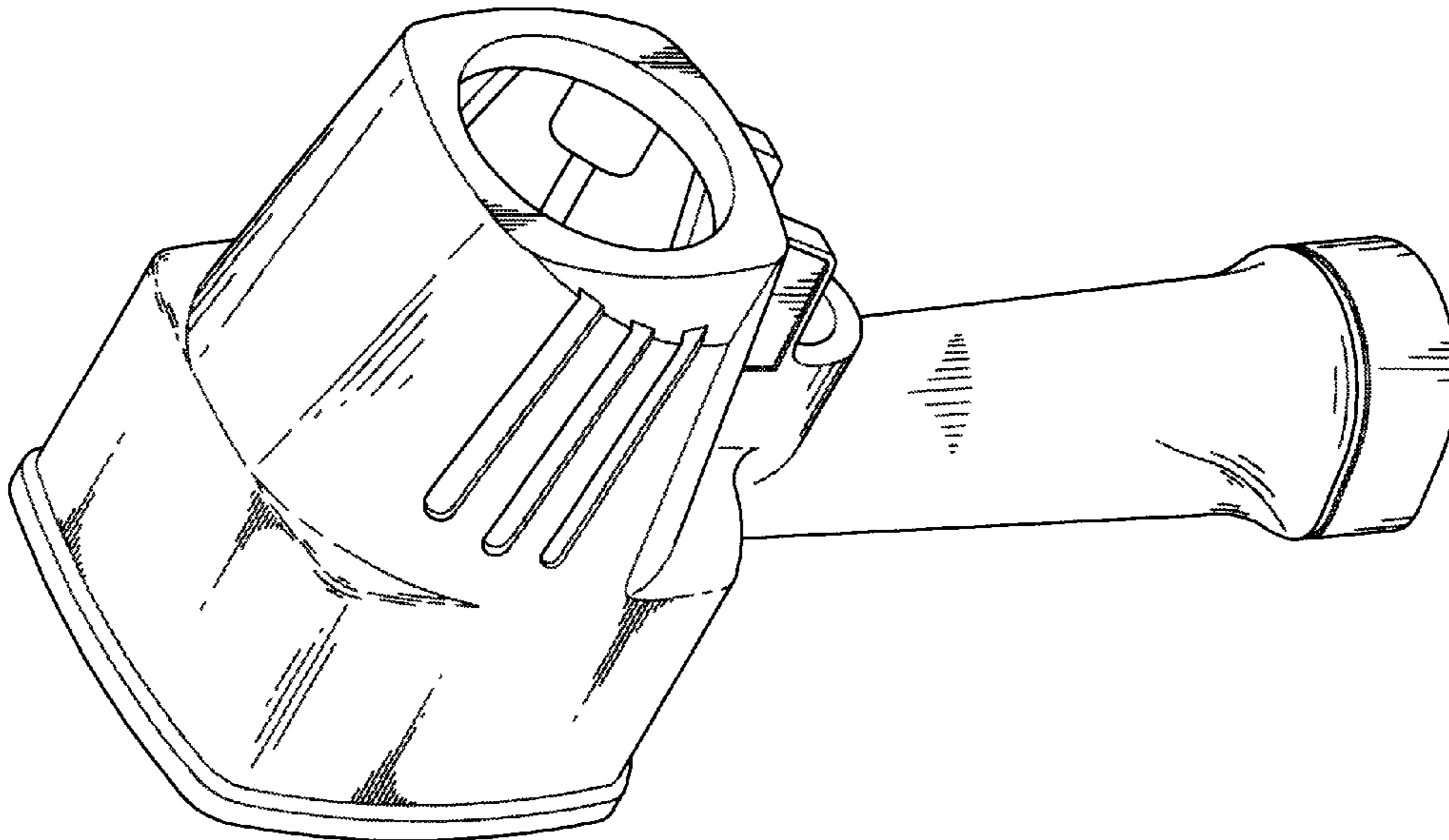


FIG. 1

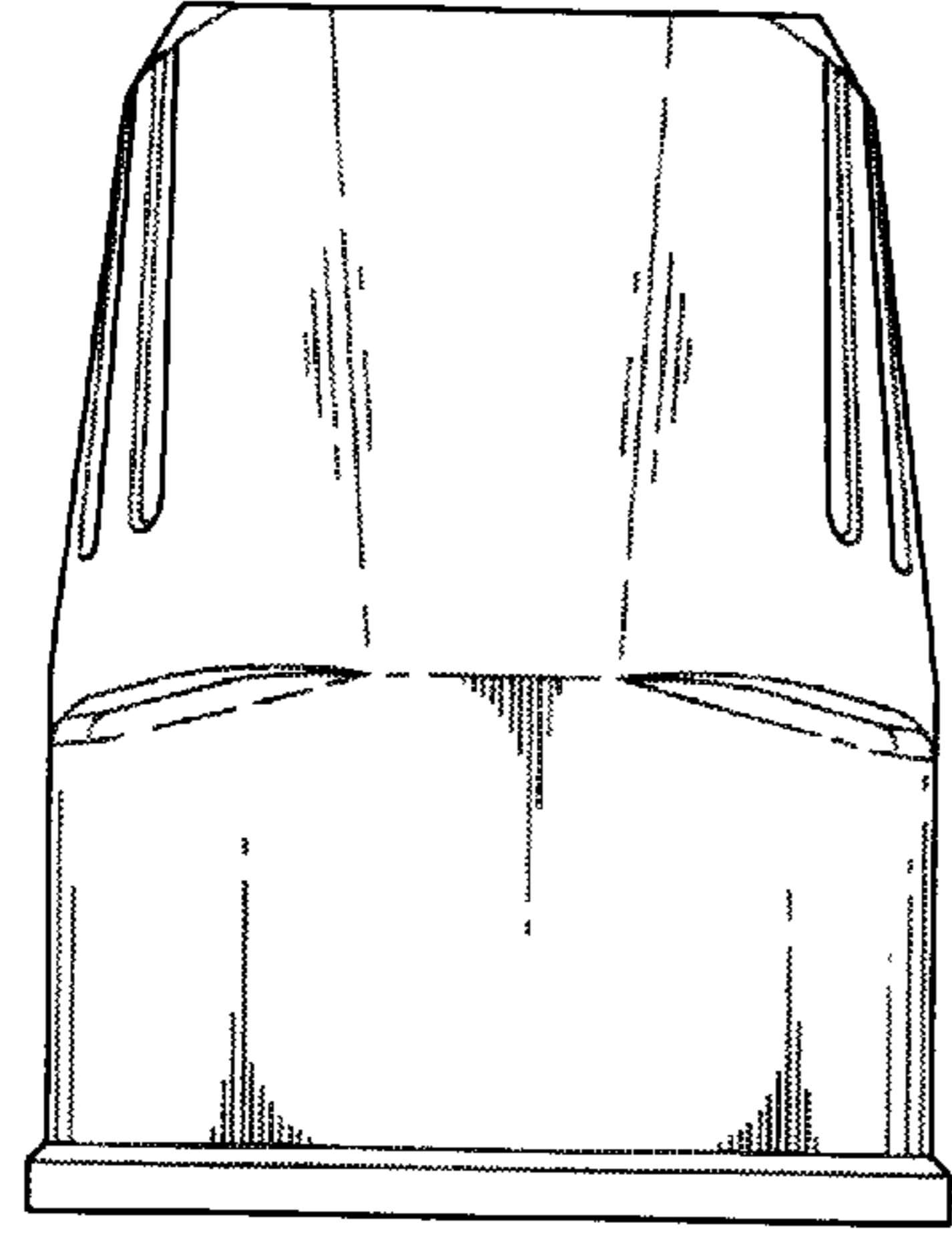


FIG. 5

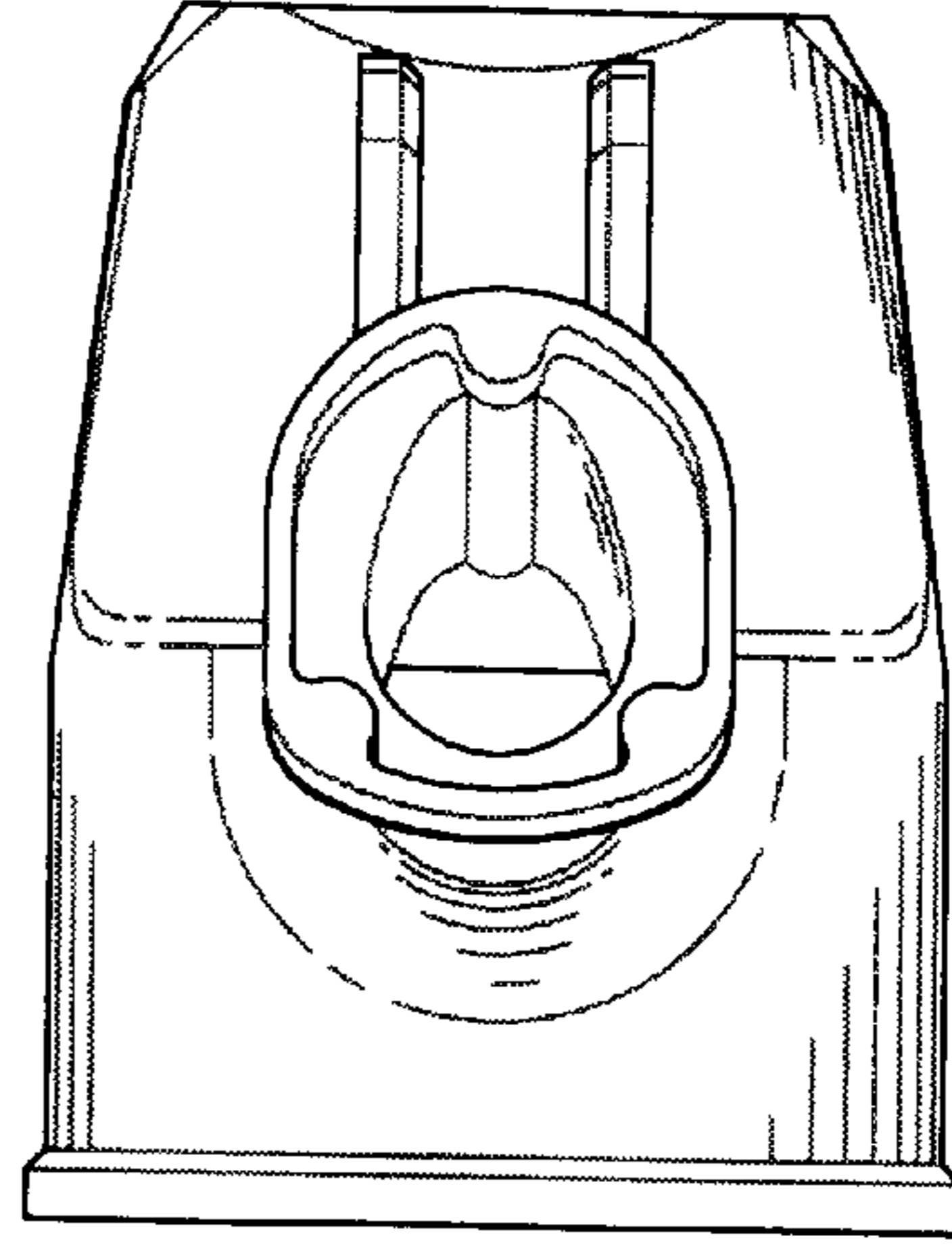


FIG. 6

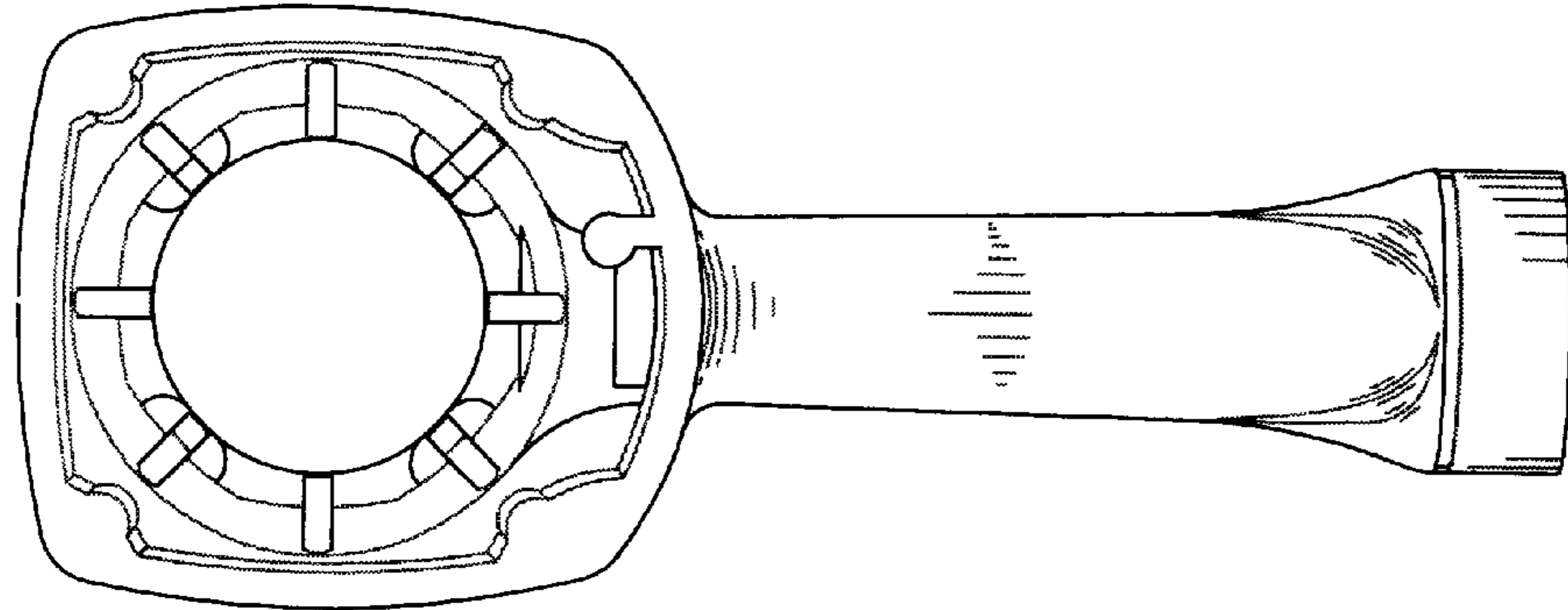


FIG. 4

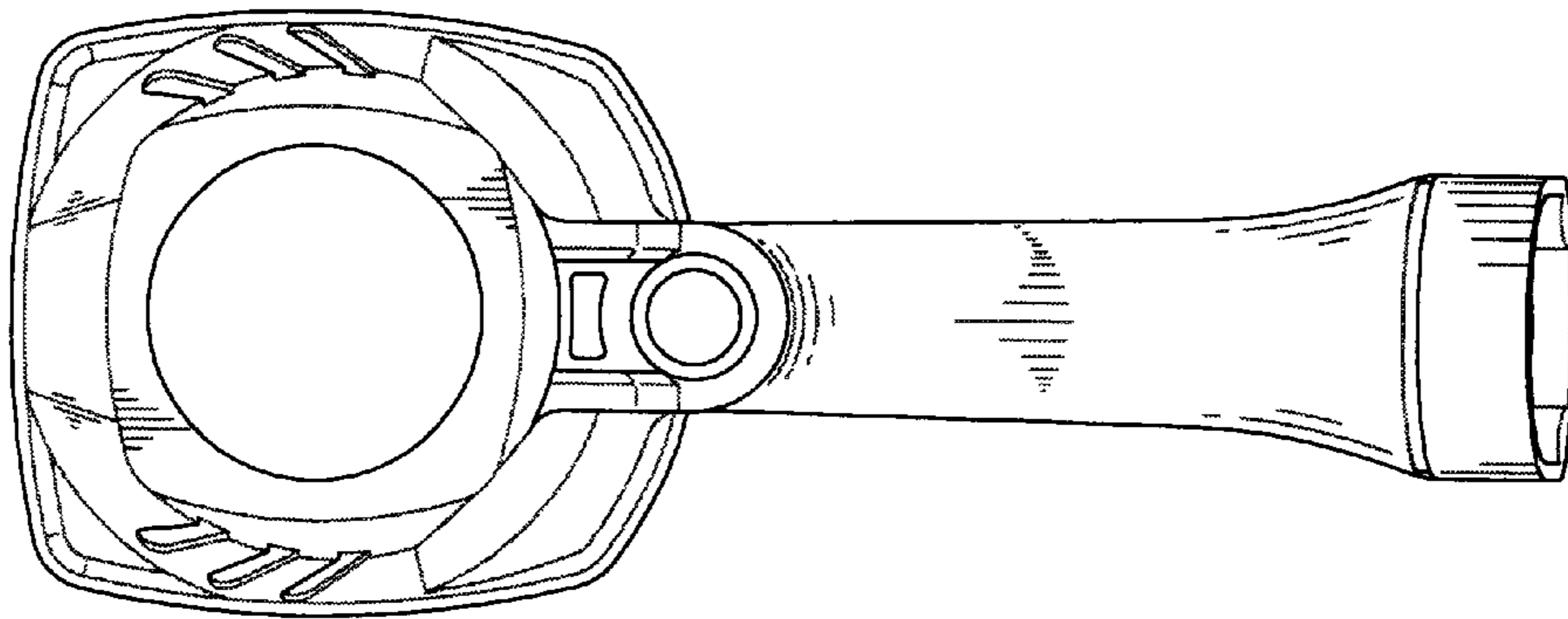


FIG. 3