



US00D484763S

(12) **United States Design Patent**  
**Sham et al.**

(10) **Patent No.:** **US D484,763 S**

(45) **Date of Patent:** **\*\* Jan. 6, 2004**

(54) **SPEED SAW**

(75) **Inventors:** **Tailun Kam Lun Sham, Tai Po (HK);  
Kenneth M. Brazell, Piedmont, SC  
(US); Charles M. Wacker, Belton, SC  
(US)**

(73) **Assignee:** **One World Technologies Limited,  
Hamilton (BM)**

(\*\*) **Term:** **14 Years**

(21) **Appl. No.:** **29/182,123**

(22) **Filed:** **May 20, 2003**

**Related U.S. Application Data**

(62) **Division of application No. 29/172,614, filed on Dec. 13,  
2002.**

(51) **LOC (7) Cl. .... 08-03**

(52) **U.S. Cl. .... D8/64**

(58) **Field of Search .... D8/61, 64, 65,  
D8/66, 67, 69; D24/146; 30/166.3, 374,  
375, 376, 377, 388, 390, 391, 392, 393,  
394; 83/397, 699.21; 409/180, 181, 182**

(56) **References Cited**

**U.S. PATENT DOCUMENTS**

D364,790 S	12/1995	Duennes	.....	D8/61
D378,727 S	4/1997	Kikuchi	.....	D8/61
5,829,931 A	11/1998	Doumani	.....	409/132
5,902,080 A	5/1999	Kopras	.....	409/182
D433,905 S	11/2000	Cooper	.....	D8/61

D437,757 S	2/2001	Thomson et al.	.....	D8/61	
D438,076 S	*	2/2001	Wikle et al.	.....	D8/61
D439,122 S	*	3/2001	Adler et al.	.....	D8/61
D446,100 S	*	8/2001	Heun	.....	D8/61
D447,030 S		8/2001	Chen	.....	D8/61
D455,326 S		4/2002	Schoen	.....	D8/61
D471,781 S		3/2003	Heun	.....	D8/61
D477,203 S	*	7/2003	Heun	.....	D8/61
D478,259 S	*	8/2003	Heun	.....	D8/61

\* cited by examiner

*Primary Examiner*—Doris V. Coles

*Assistant Examiner*—Elizabeth A. Albert

(74) *Attorney, Agent, or Firm*—Andrew Y. Pang; Nexsen  
Pruet Jacobs & Pollard, LLC

(57) **CLAIM**

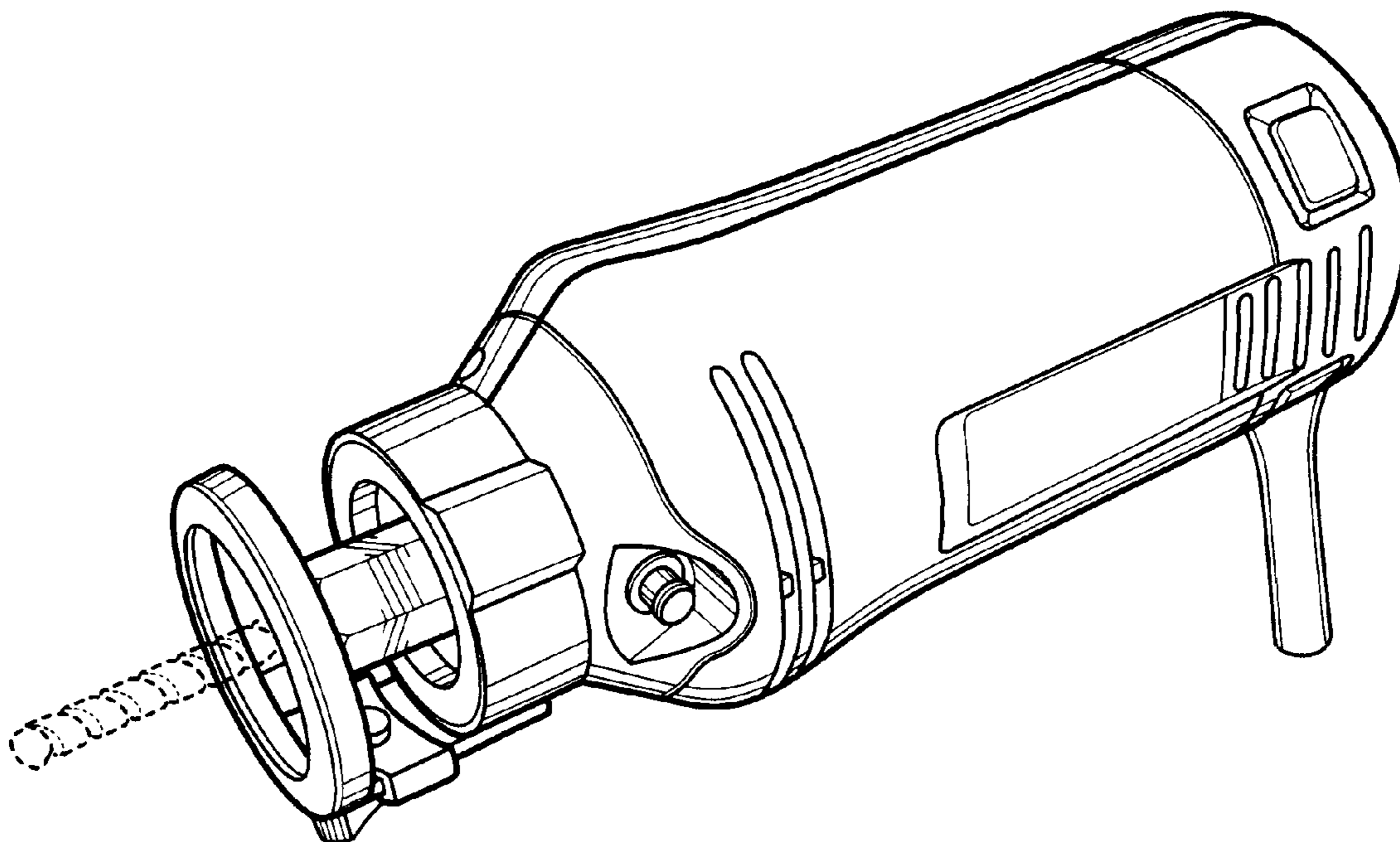
The ornamental design for a speed saw, as shown and  
described.

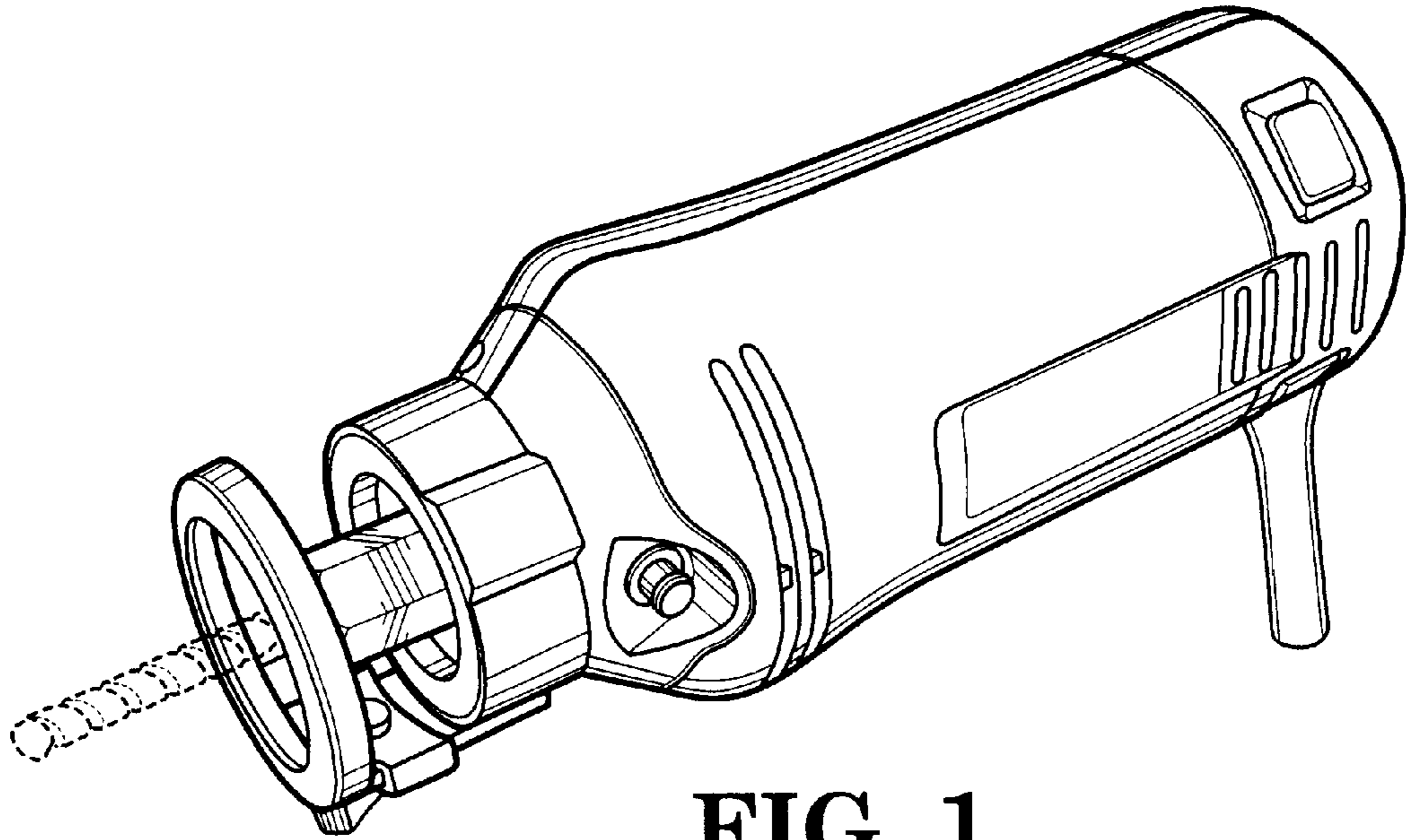
**DESCRIPTION**

FIG. 1 is a left front perspective view of the speed saw of the  
present invention;  
FIG. 2 is a bottom perspective view thereof;  
FIG. 3 is a right side elevational view thereof;  
FIG. 4 is a left side elevational view thereof;  
FIG. 5 is a front end view thereof;  
FIG. 6 is a rear end view thereof;  
FIG. 7 is a top view thereof; and,  
FIG. 8 is a bottom view thereof.

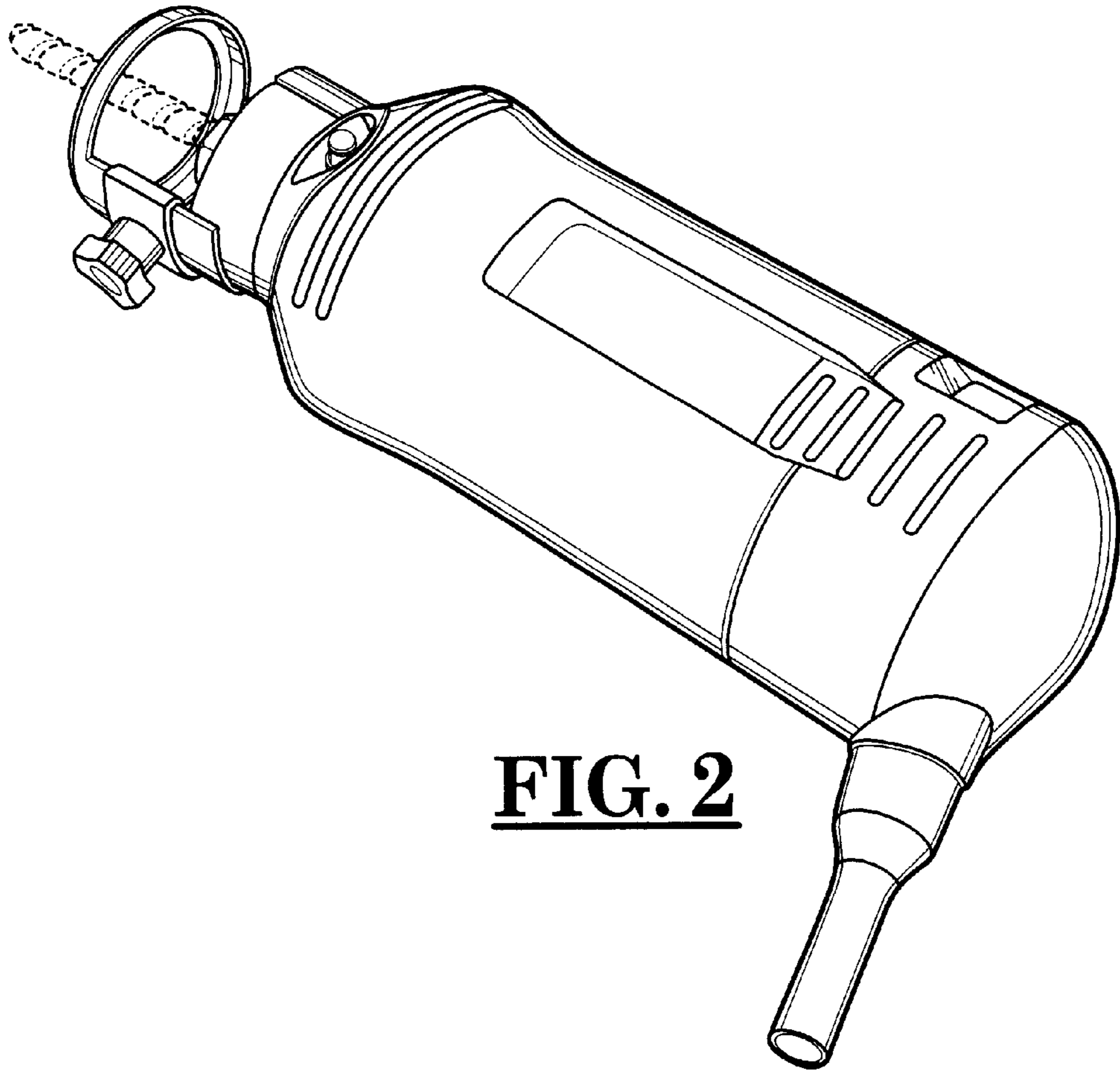
The broken lines shown in FIGS. 1 through 5, 7 and 8 are  
for illustrative purposes only and form no part of the claimed  
design.

**1 Claim, 3 Drawing Sheets**

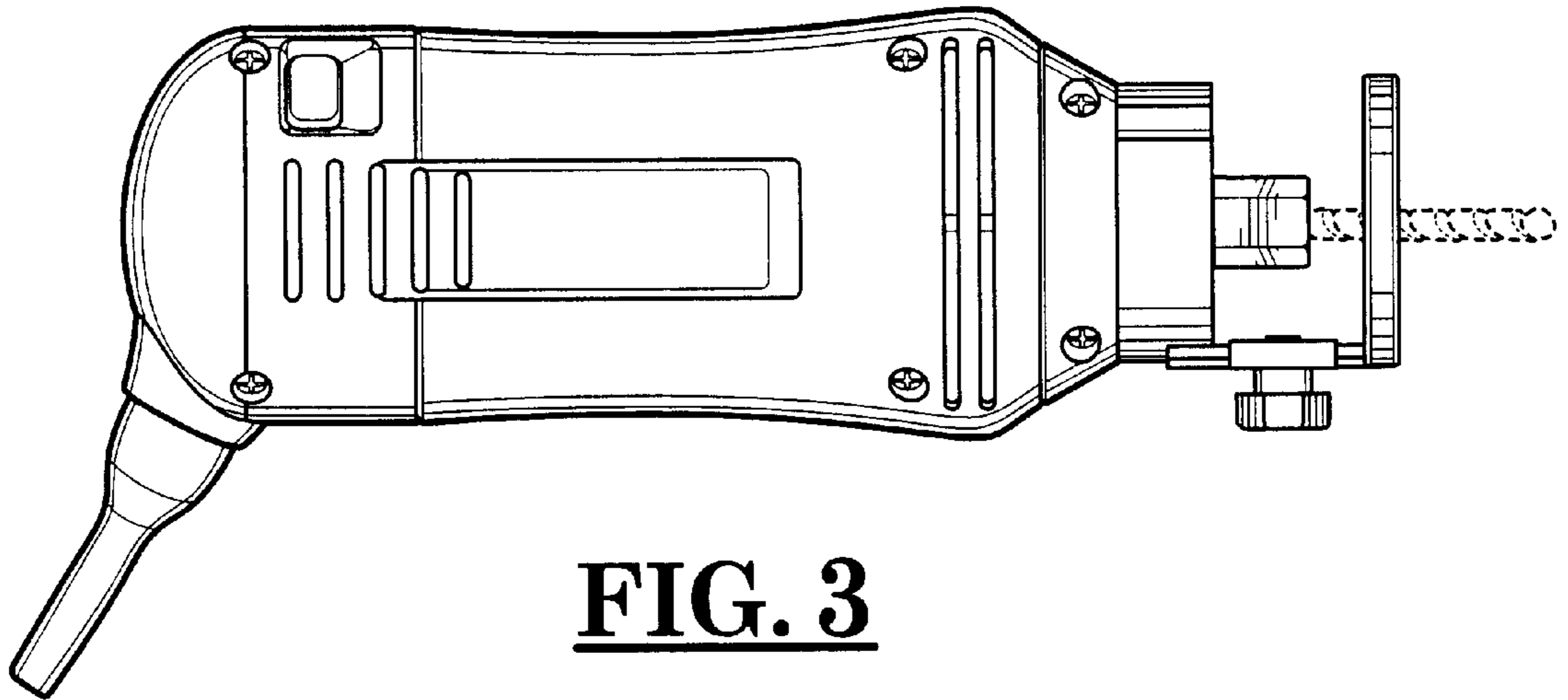




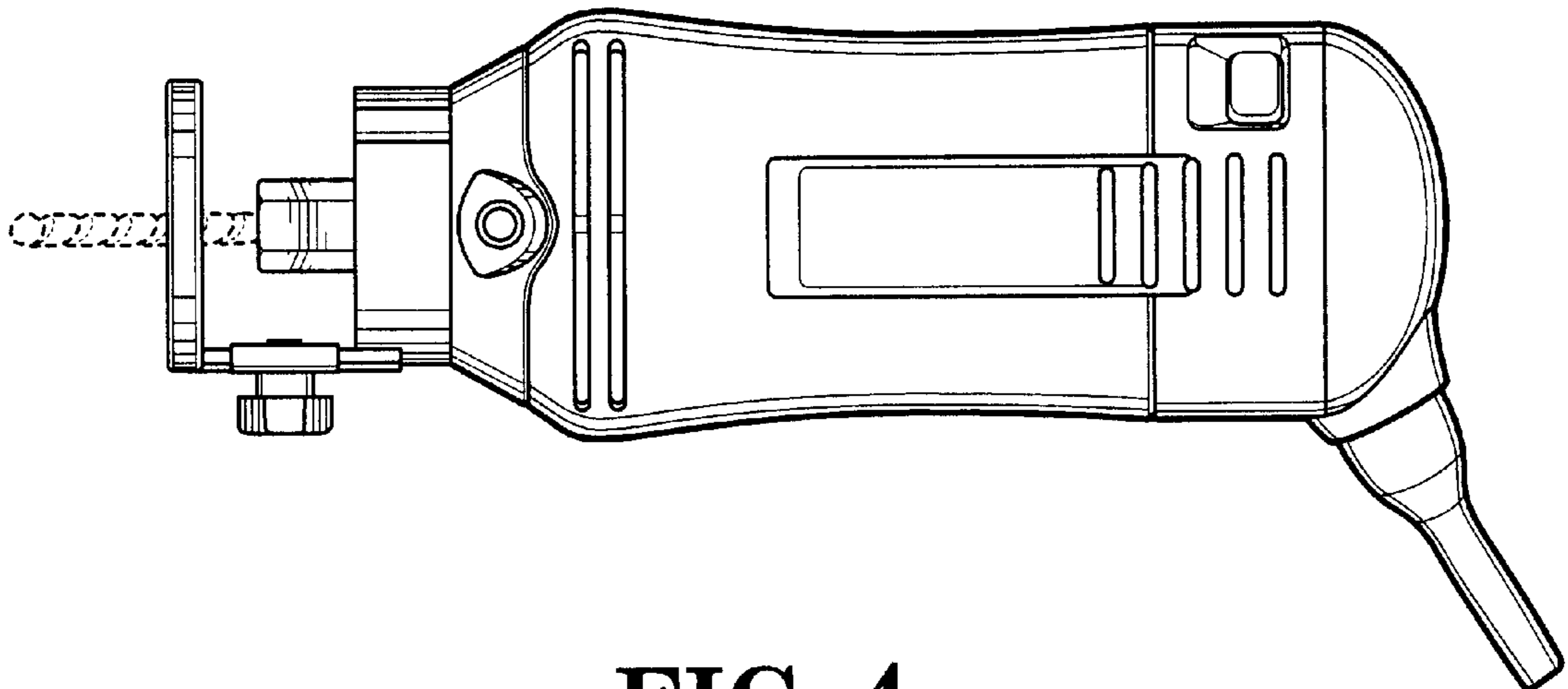
**FIG. 1**



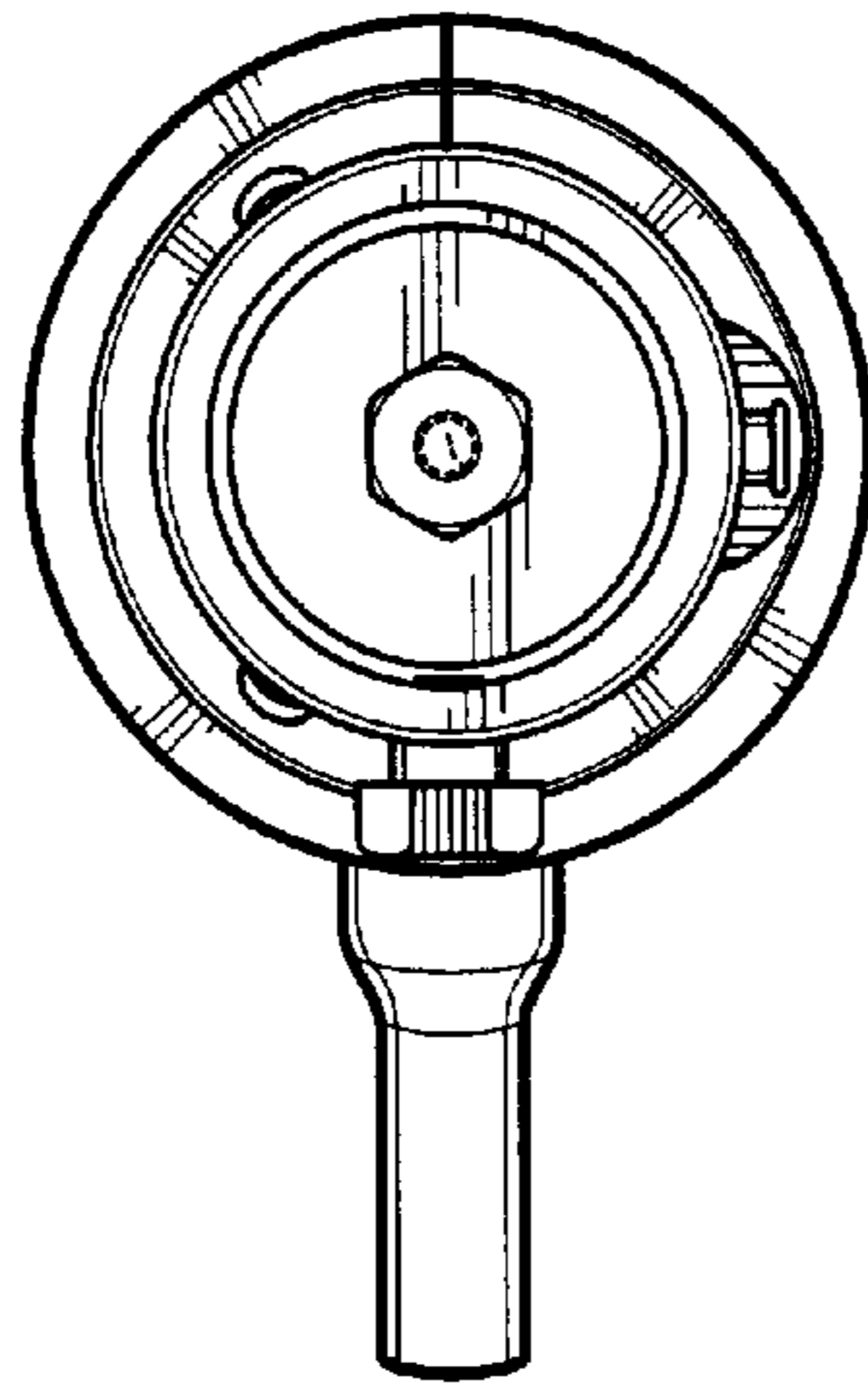
**FIG. 2**



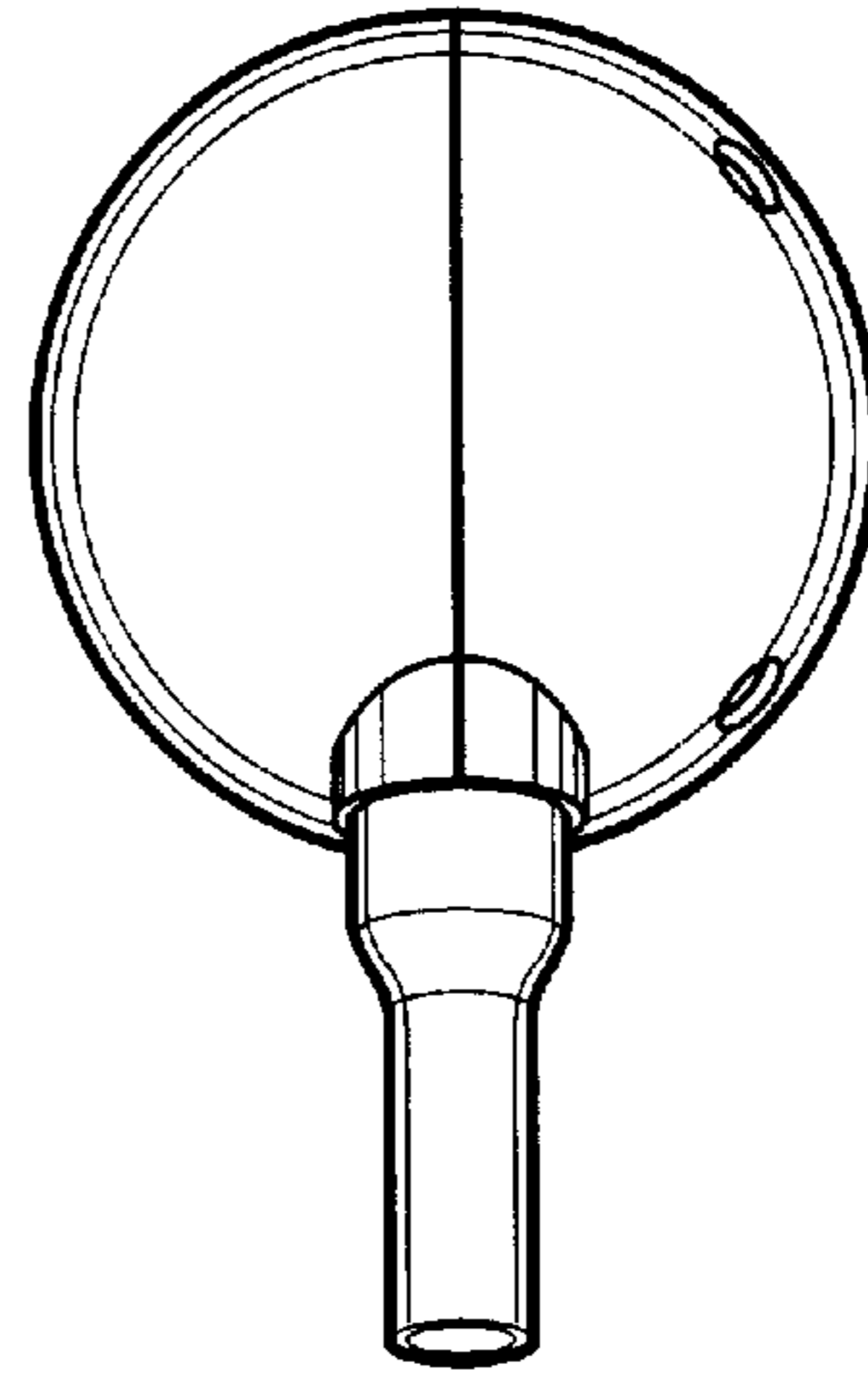
**FIG. 3**



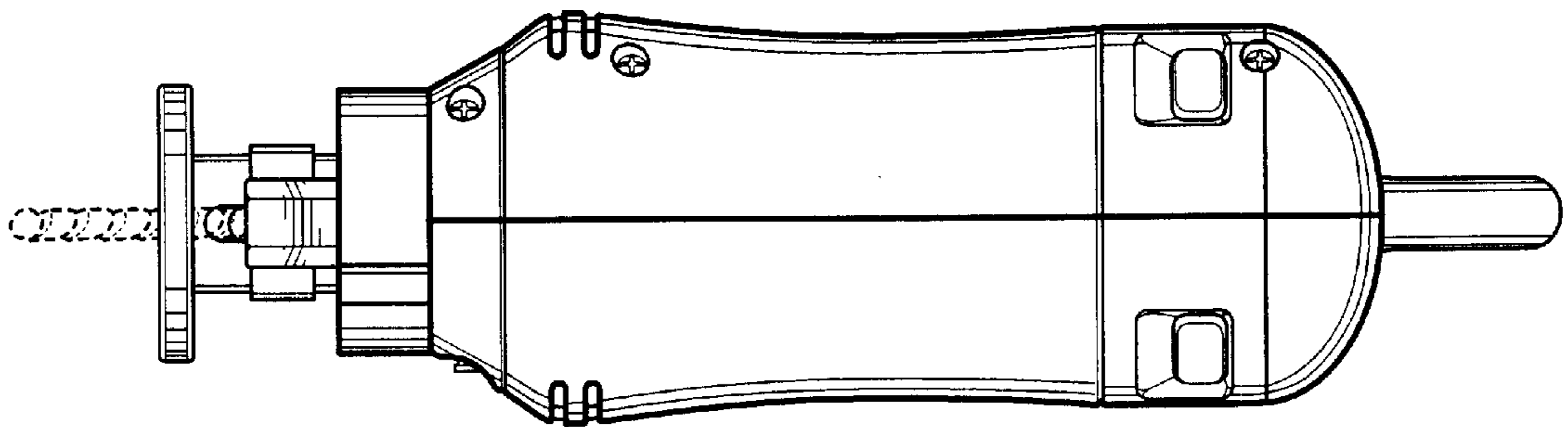
**FIG. 4**



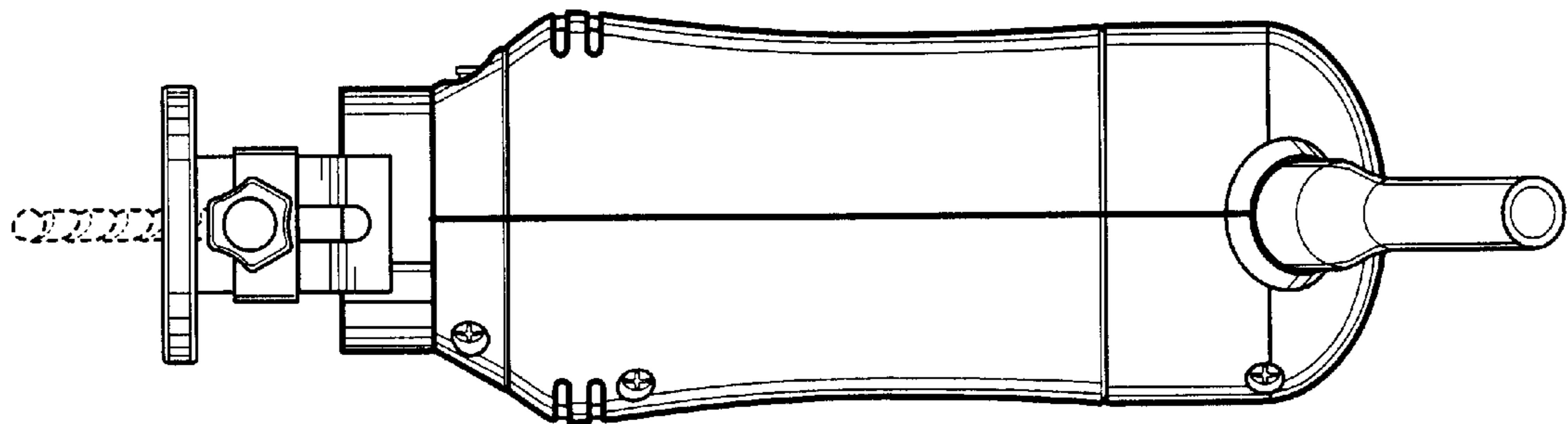
**FIG. 5**



**FIG. 6**



**FIG. 7**



**FIG. 8**