



US00D484755S

(12) **United States Design Patent**  
**Shonfeld et al.**

(10) **Patent No.:** **US D484,755 S**

(45) **Date of Patent:** **\*\* Jan. 6, 2004**

(54) **COOKIE PRESS**

D309,853 S 8/1990 Kolada et al.  
5,052,593 A 10/1991 Grome et al.

(75) Inventors: **Rick Shonfeld**, New Mills High Peak (GB); **Clay Burns**, New York, NY (US)

\* cited by examiner

(73) Assignee: **Wilton Industries, Inc.**, Woodridge, IL (US)

*Primary Examiner*—Terry A. Wallace  
(74) *Attorney, Agent, or Firm*—Piper Rudnick LLP

(\*\*) Term: **14 Years**

(57) **CLAIM**

(21) Appl. No.: **29/172,358**

The ornamental design for a cookie press, as shown and described.

(22) Filed: **Dec. 10, 2002**

**DESCRIPTION**

(51) **LOC (7) Cl.** ..... **07-04**

(52) **U.S. Cl.** ..... **D7/672**

(58) **Field of Search** ..... D7/665, 669, 672, D7/674; 222/256, 257, 260, 325–327, 333, 386, 390–392; D8/14.1; 425/87, 183, 190–192 S, 376.1

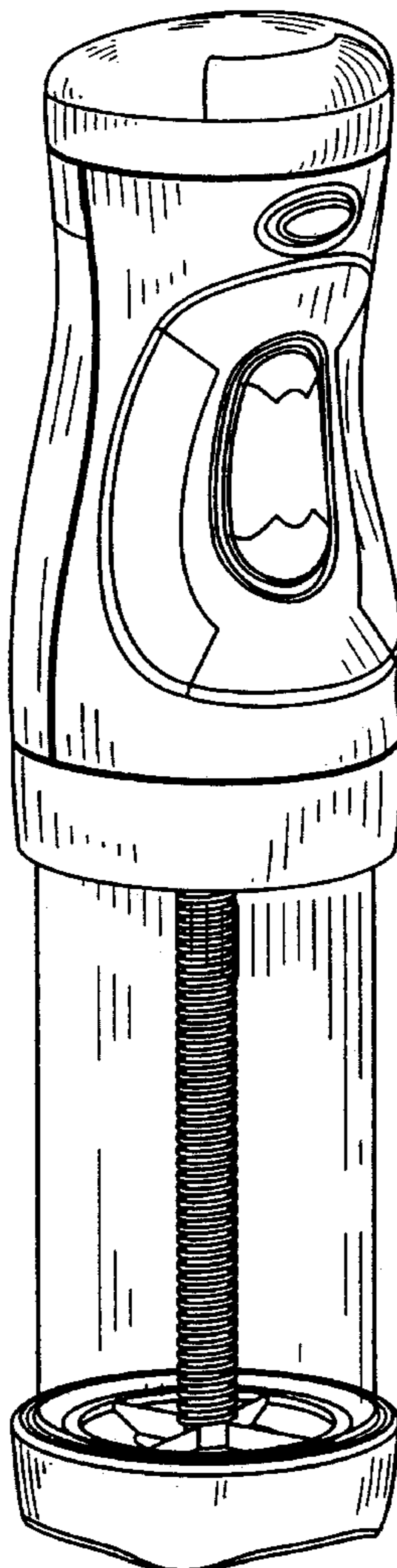
FIG. 1 is a front perspective view of the cookie press; FIG. 2 is a back perspective view of the cookie press; FIG. 3 is a side elevational view of the cookie press; the opposite side of which is an identical mirror image; FIG. 4 is a front elevational view of the cookie press; FIG. 5 is a bottom perspective view of the cookie press; and, FIG. 6 is a top perspective view of the cookie press on a larger scale.

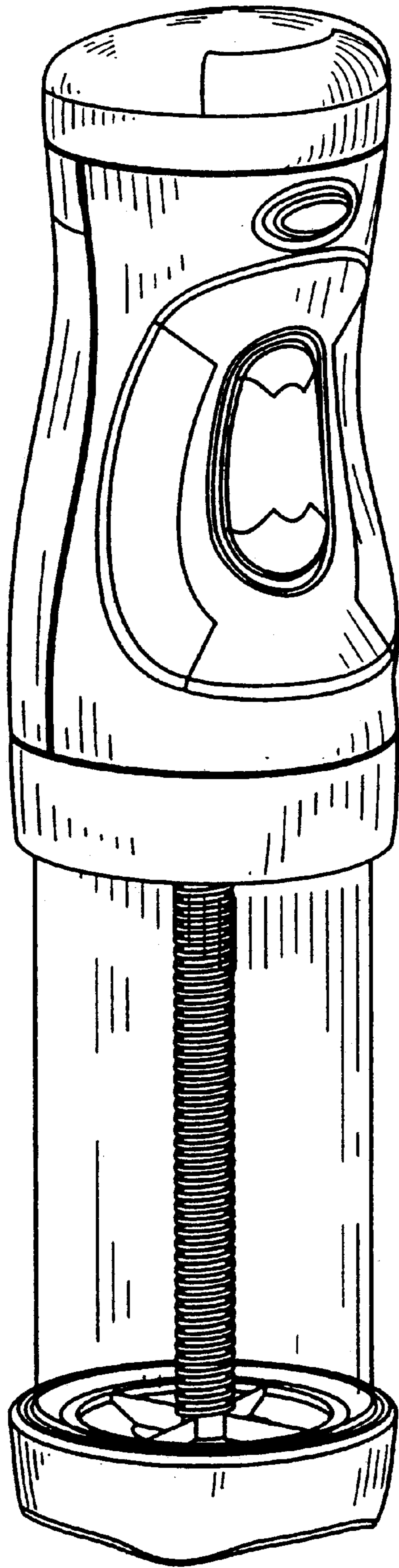
(56) **References Cited**

**U.S. PATENT DOCUMENTS**

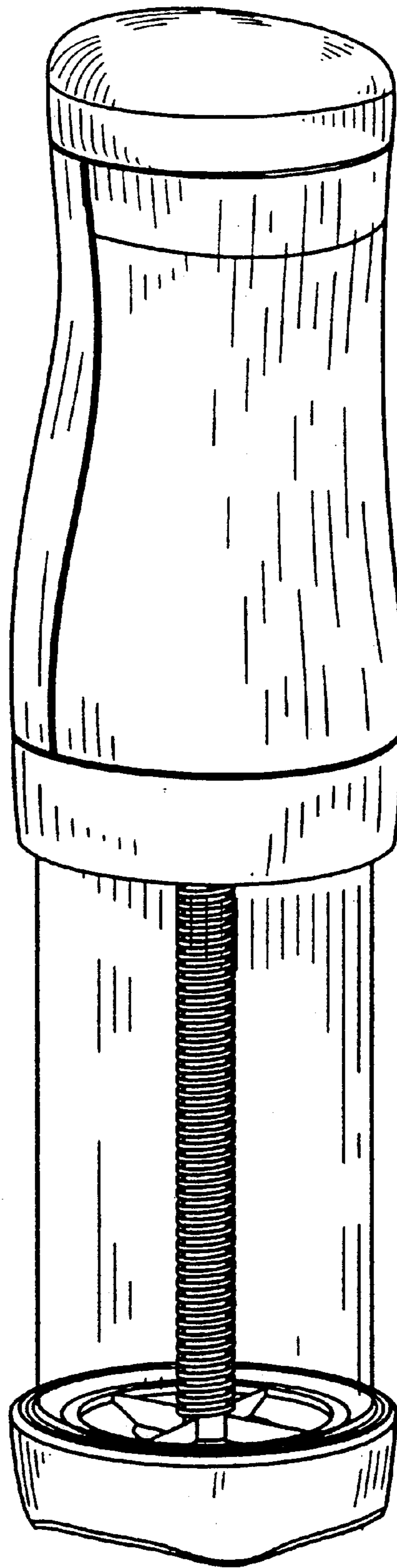
D309,697 S \* 8/1990 So ..... D7/672

**1 Claim, 4 Drawing Sheets**





**FIG. 1**



**FIG. 2**

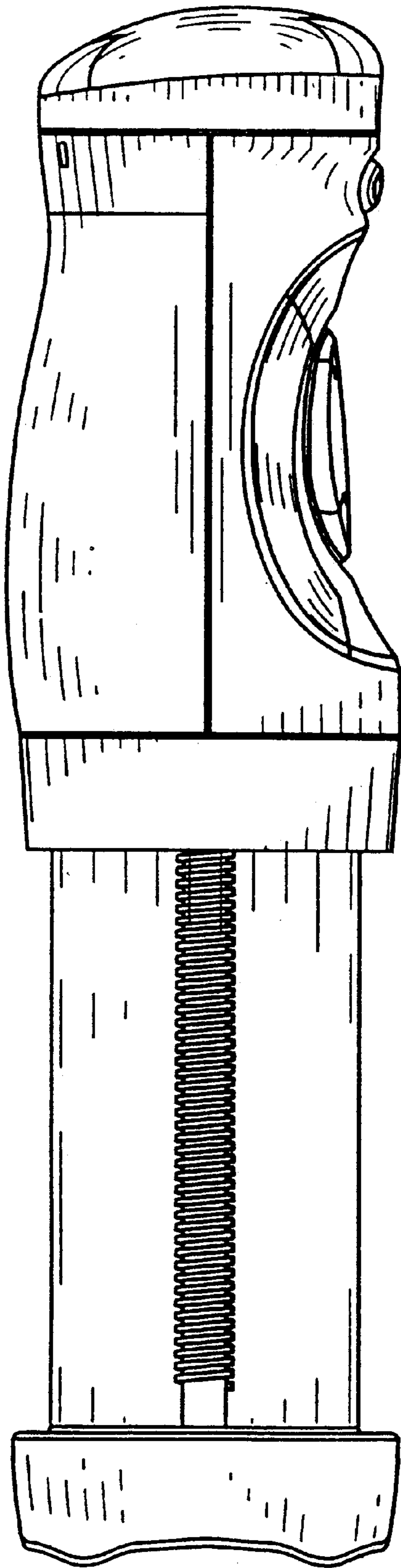


FIG. 3

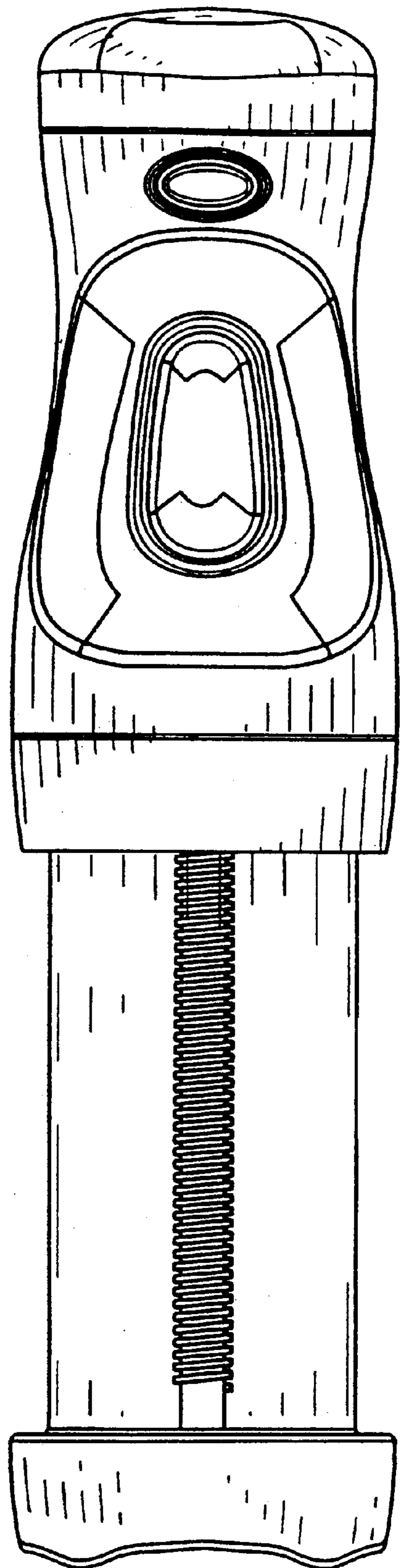


FIG. 4

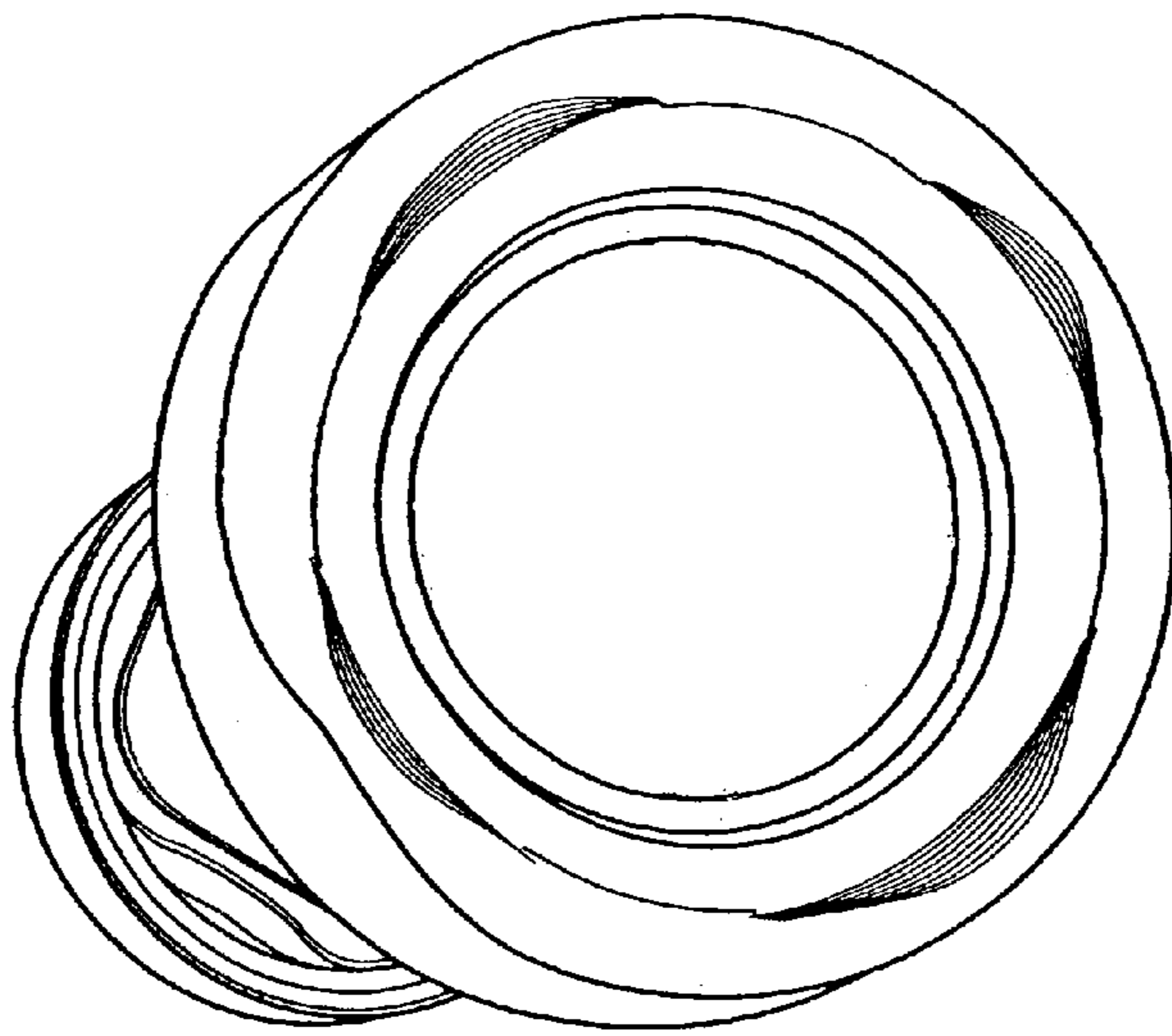


FIG. 5

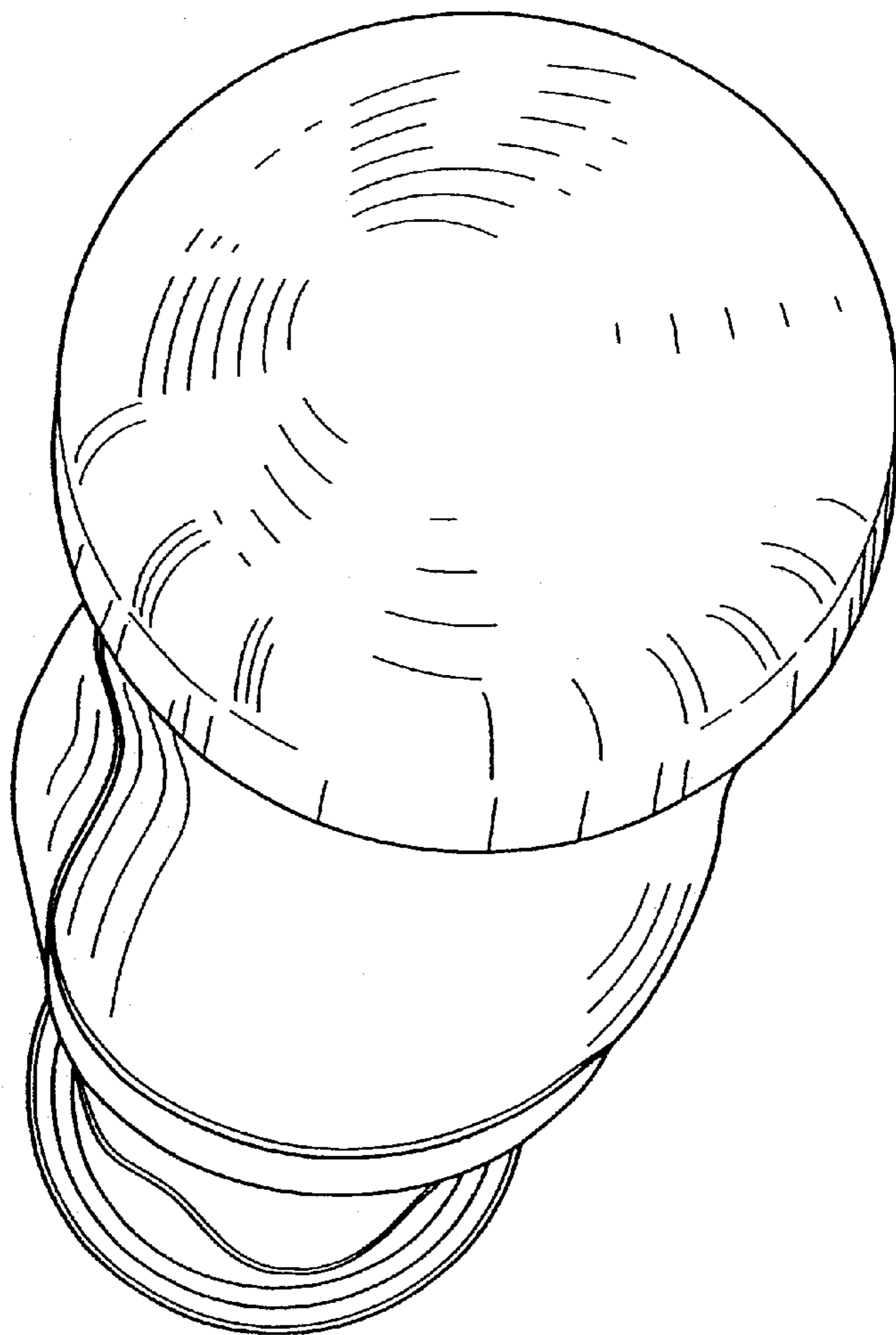


FIG. 6