



US00D484754S

(12) **United States Design Patent**
Schuler

(10) **Patent No.:** **US D484,754 S**

(45) **Date of Patent:** **** Jan. 6, 2004**

(54) **CITRUS REAMER**

D407,954 S * 4/1999 Lehn D7/665

(75) Inventor: **Troy Schuler**, Alta Loma, CA (US)

* cited by examiner

(73) Assignee: **Bradshaw International, Inc.**, Rancho Cucamonga, CA (US)

Primary Examiner—Terry A. Wallace

(74) *Attorney, Agent, or Firm*—Birch, Stewart, Kolasch & Birch, LLP

(**) Term: **14 Years**

(57) **CLAIM**

(21) Appl. No.: **29/174,015**

The ornamental design for a citrus reamer, as shown and described.

(22) Filed: **Jan. 10, 2003**

(51) **LOC (7) Cl.** **07-04**

(52) **U.S. Cl.** **D7/665**

(58) **Field of Search** D7/665, 372, 678;
99/499, 501–508; 241/100

DESCRIPTION

FIG. 1 is a front, perspective view of the citrus reamer showing my new design;

FIG. 2 is a front view thereof, the rear, left side and right side views being identical to the front view;

FIG. 3 is a top plan view thereof; and,

FIG. 4 is a bottom view thereof.

The features shown in broken lines in FIGS. 1–4 do not form part of the claimed design.

(56) **References Cited**

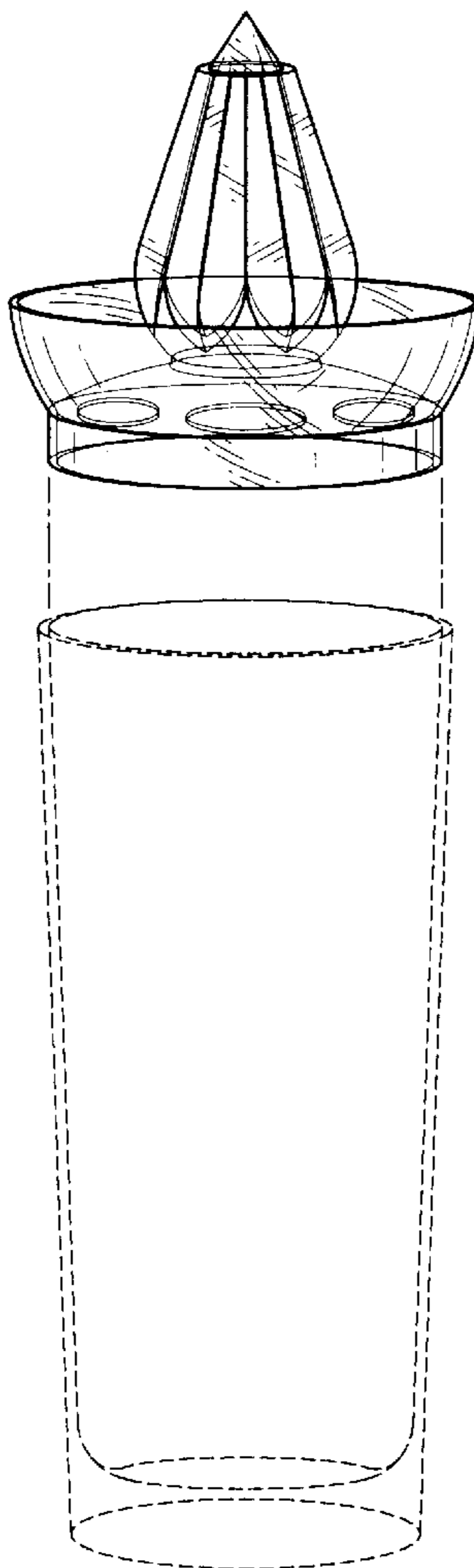
U.S. PATENT DOCUMENTS

1,517,339 A * 12/1924 Brown 99/508

2,212,328 A * 8/1940 Scurlock 99/508

D399,709 S * 10/1998 Lee D7/665

1 Claim, 2 Drawing Sheets



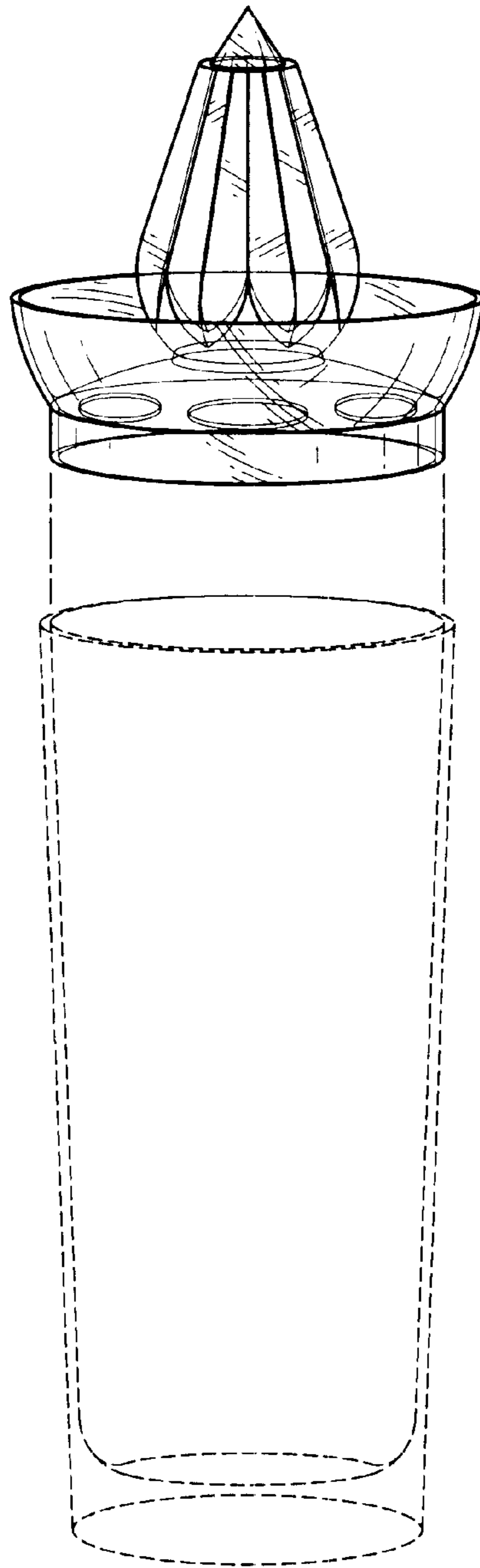


FIG. 1

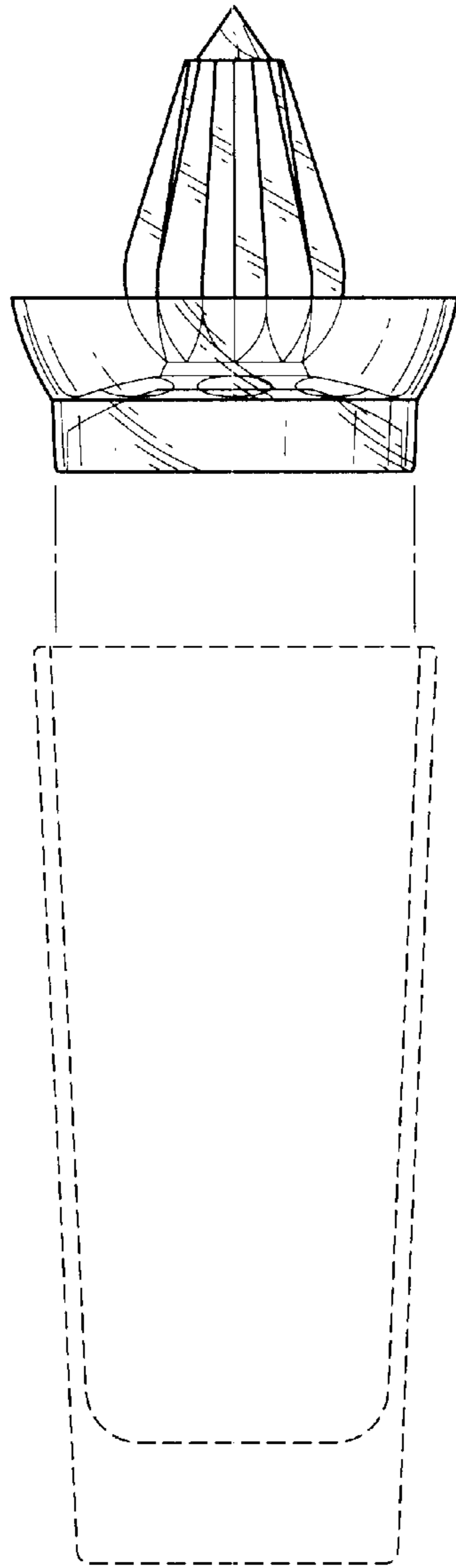


FIG. 2

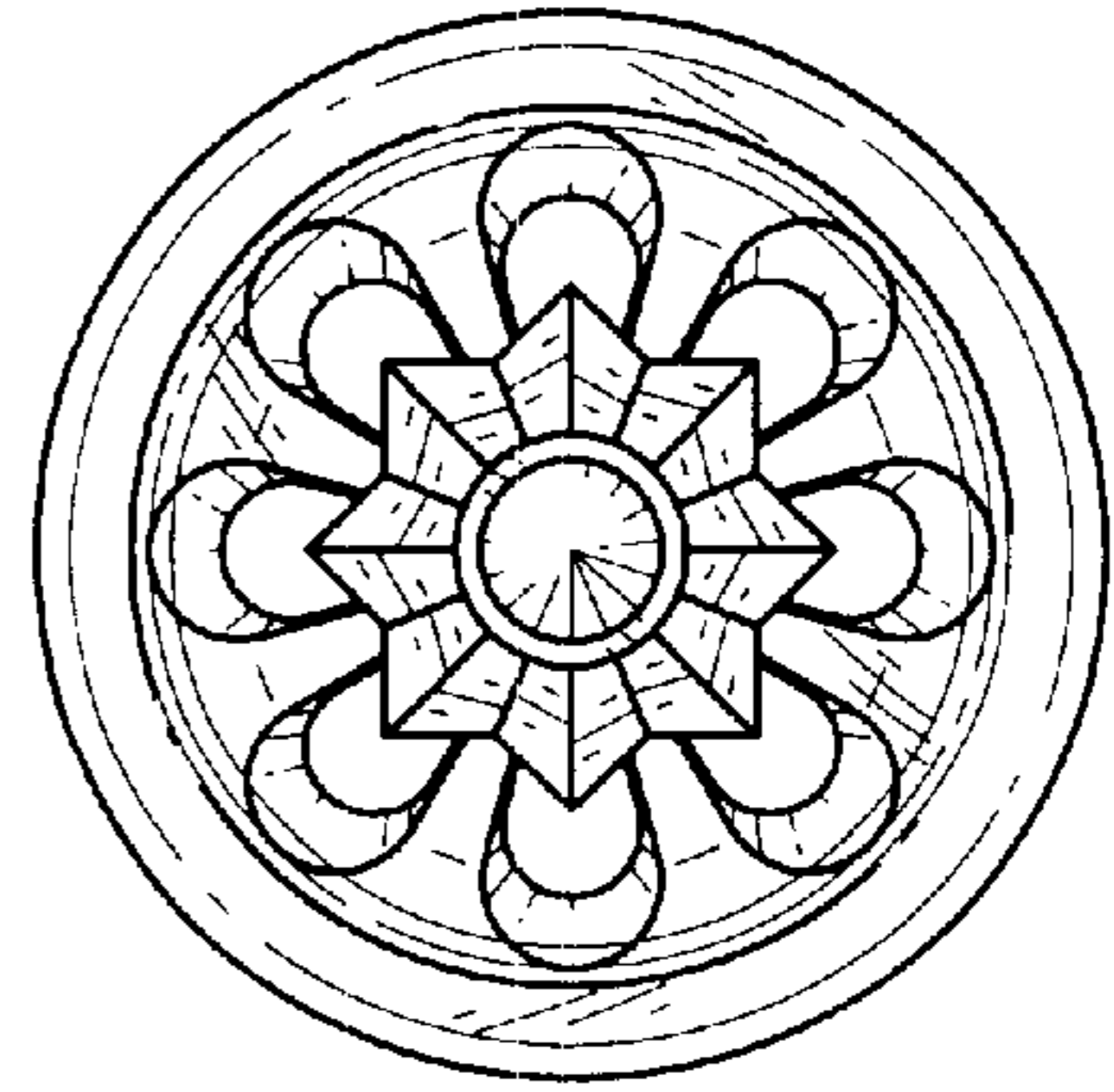


FIG. 3

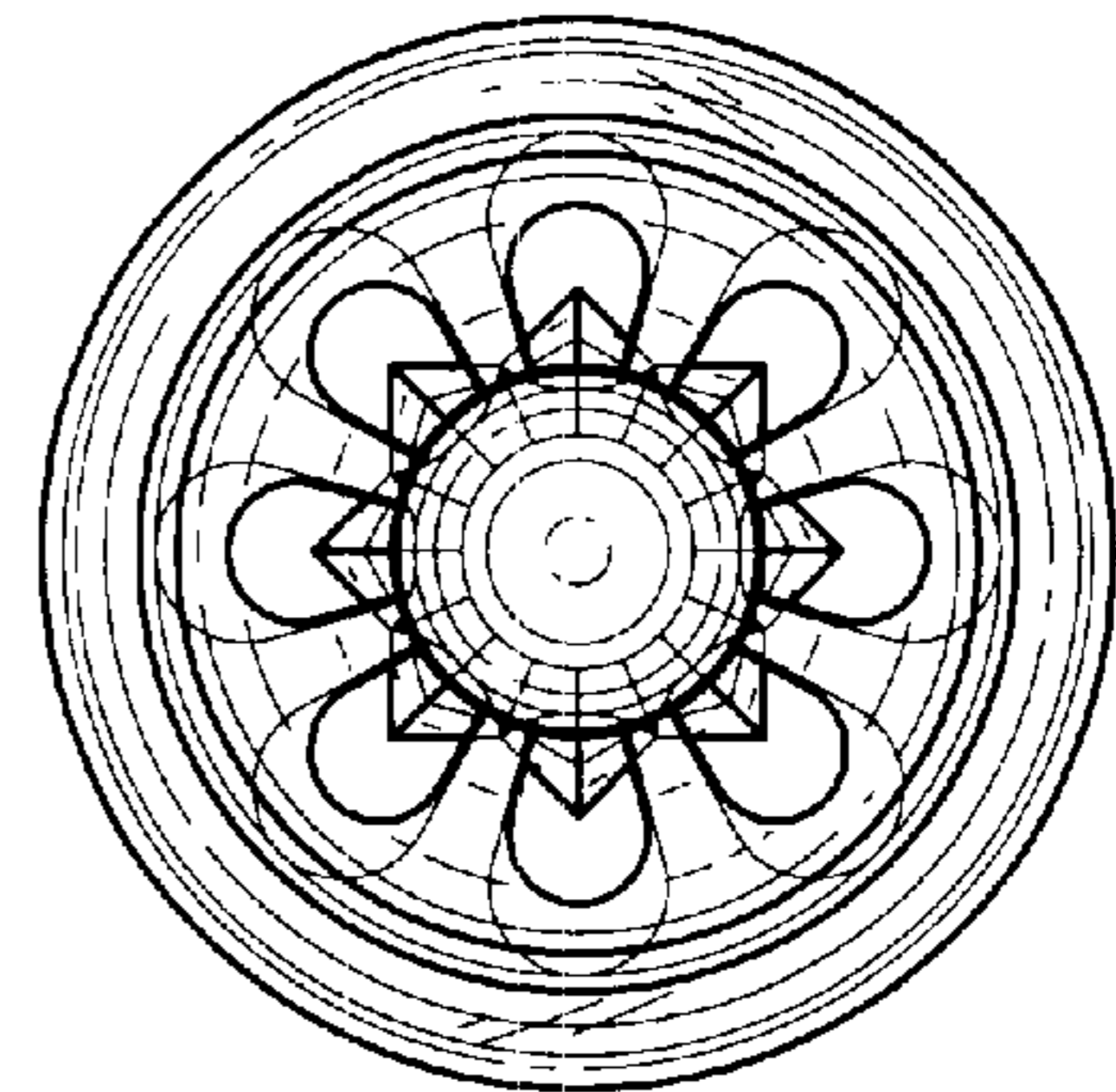


FIG. 4