



US00D484753S

(12) **United States Design Patent**
Giampavolo

(10) **Patent No.:** **US D484,753 S**

(45) **Date of Patent:** **** Jan. 6, 2004**

(54) **CUP HOLDER**

(76) **Inventor:** **Paul Giampavolo**, 9 Hasta Way,
Newton, NJ (US) 07860

(**) **Term:** **14 Years**

(21) **Appl. No.:** **29/169,554**

(22) **Filed:** **Oct. 21, 2002**

(51) **LOC (7) Cl.** **07-06**

(52) **U.S. Cl.** **D7/620**

(58) **Field of Search** D7/619-625; D12/411,
D12/419, 420; 211/71.01, 74, 75; 248/309.1,
311.2, 312.1, 311.3; 215/395, 399; 224/926,
542, 539, 42.44, 42.43, 901.4

(56) **References Cited**

U.S. PATENT DOCUMENTS

4,915,337 A * 4/1990 Iwasaki 248/311.2
D358,303 S * 5/1995 Guarrera et al. D7/620
D373,935 S * 9/1996 Cole et al. D7/621

D395,205 S * 6/1998 Inwood et al. D7/622
5,857,601 A * 1/1999 Greenwood 224/926

* cited by examiner

Primary Examiner—Terry A. Wallace

(74) *Attorney, Agent, or Firm*—Ostrolenk, Faber, Gerb &
Soffen, LLP

(57) **CLAIM**

The ornamental design for a cup holder, as shown and
described.

DESCRIPTION

FIG. 1 is a right side perspective view showing my new
design;

FIG. 2 is a top view of the design of FIG. 1;

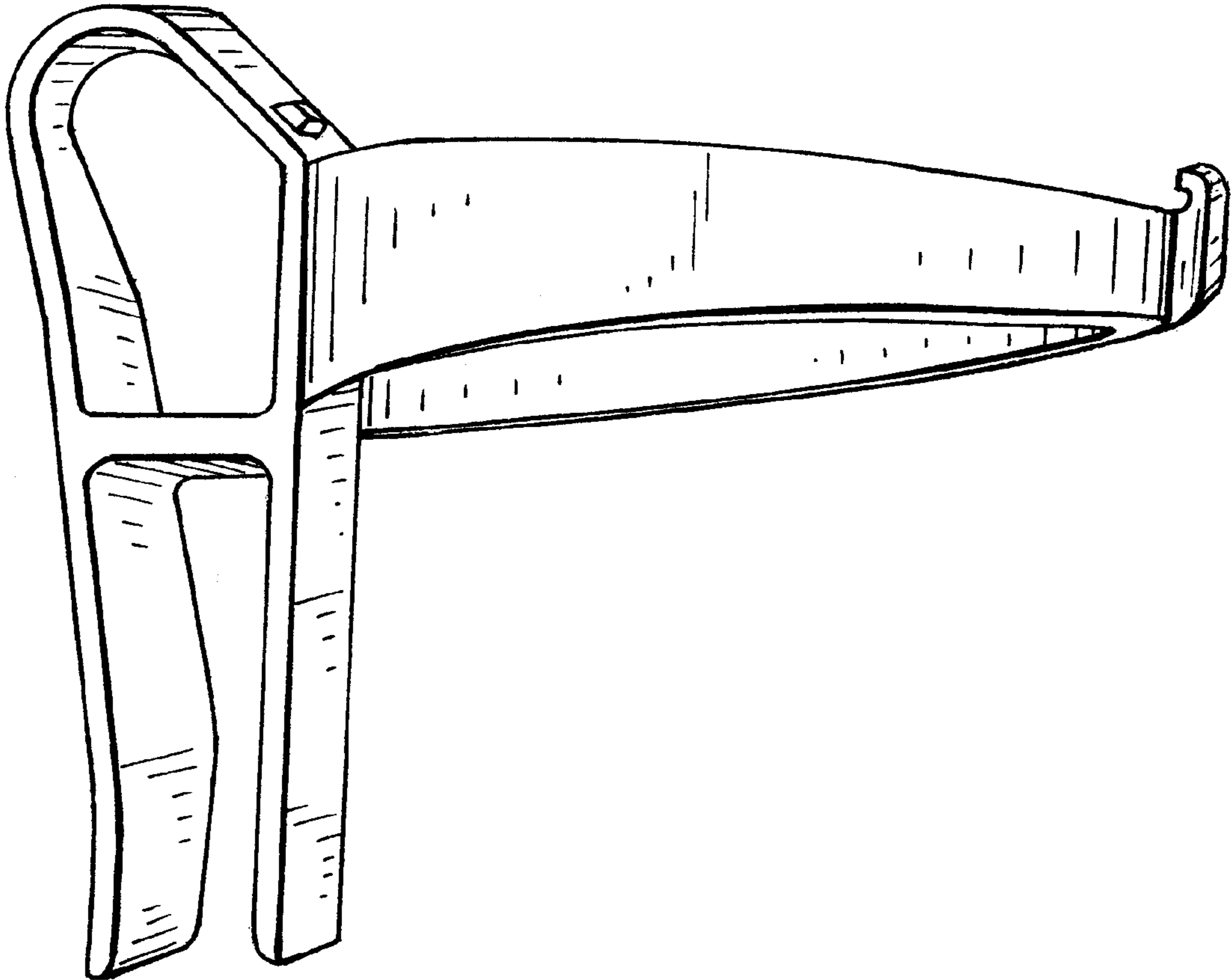
FIG. 3 is a left side view of the design of FIG. 1, the opposite
right side view being a mirror image;

FIG. 4 is a bottom side view of the design of FIG. 1;

FIG. 5 is a rear side view of the design of FIG. 1; and,

FIG. 6 is a front side view of the design of FIG. 1.

1 Claim, 3 Drawing Sheets



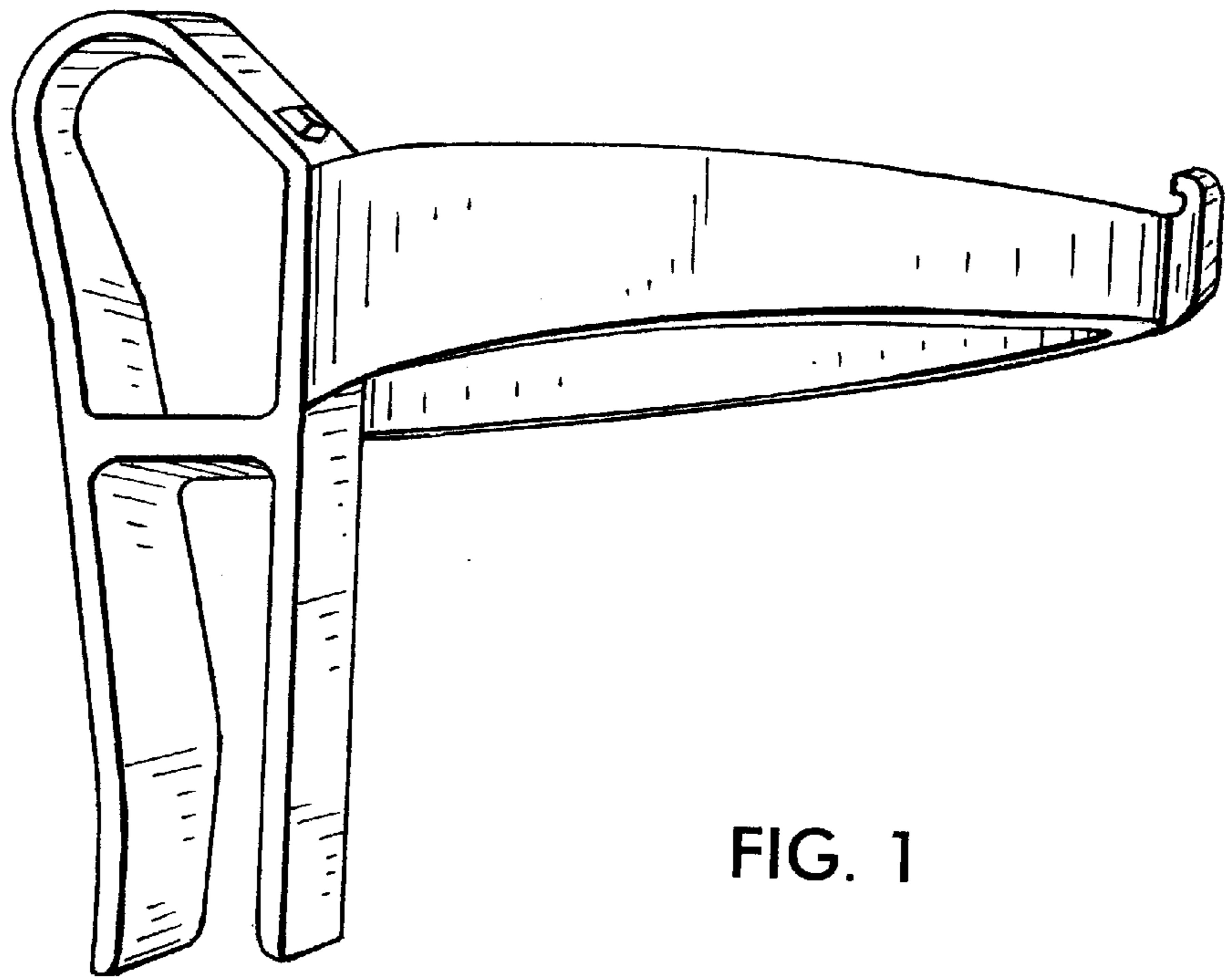


FIG. 1

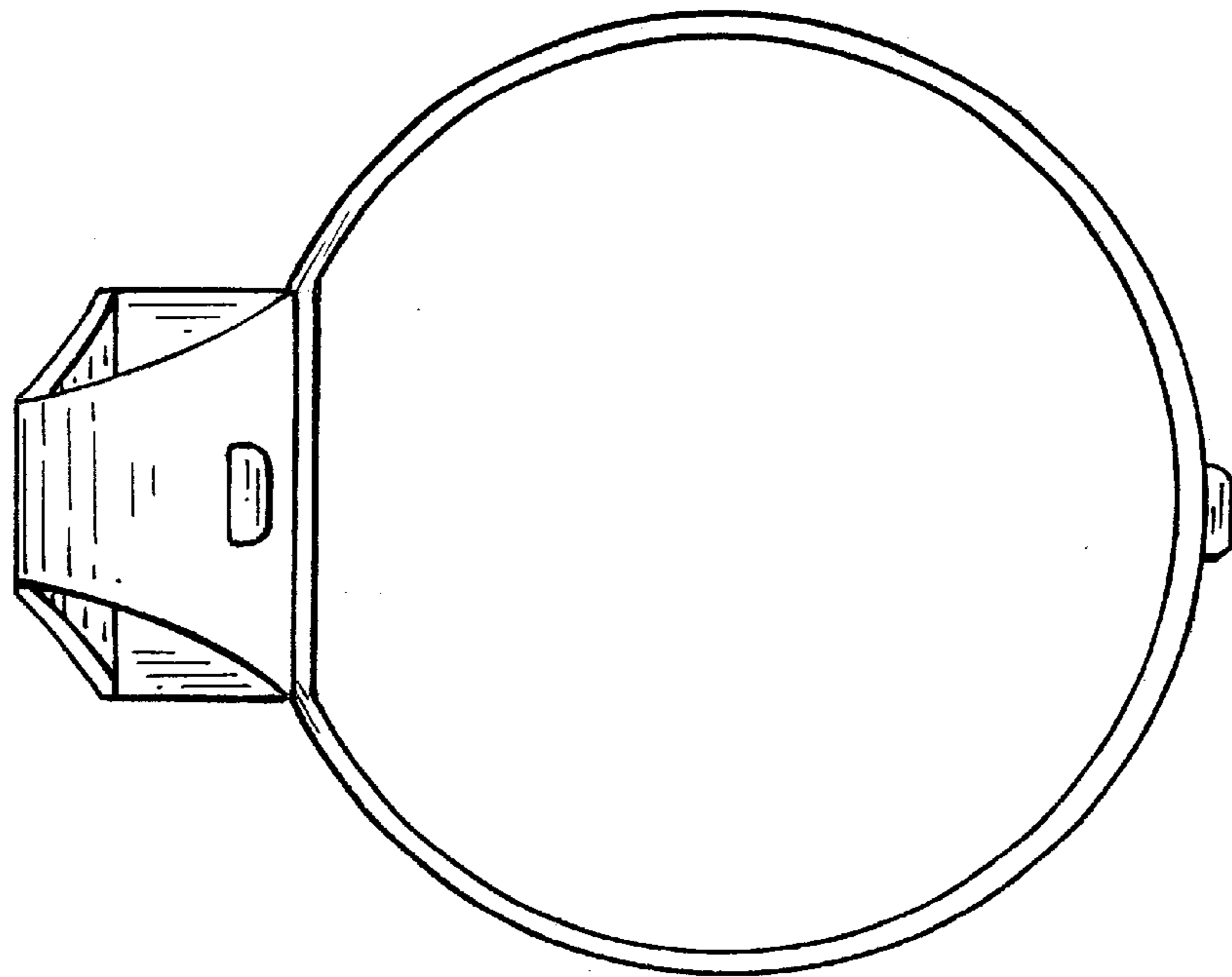


FIG. 2

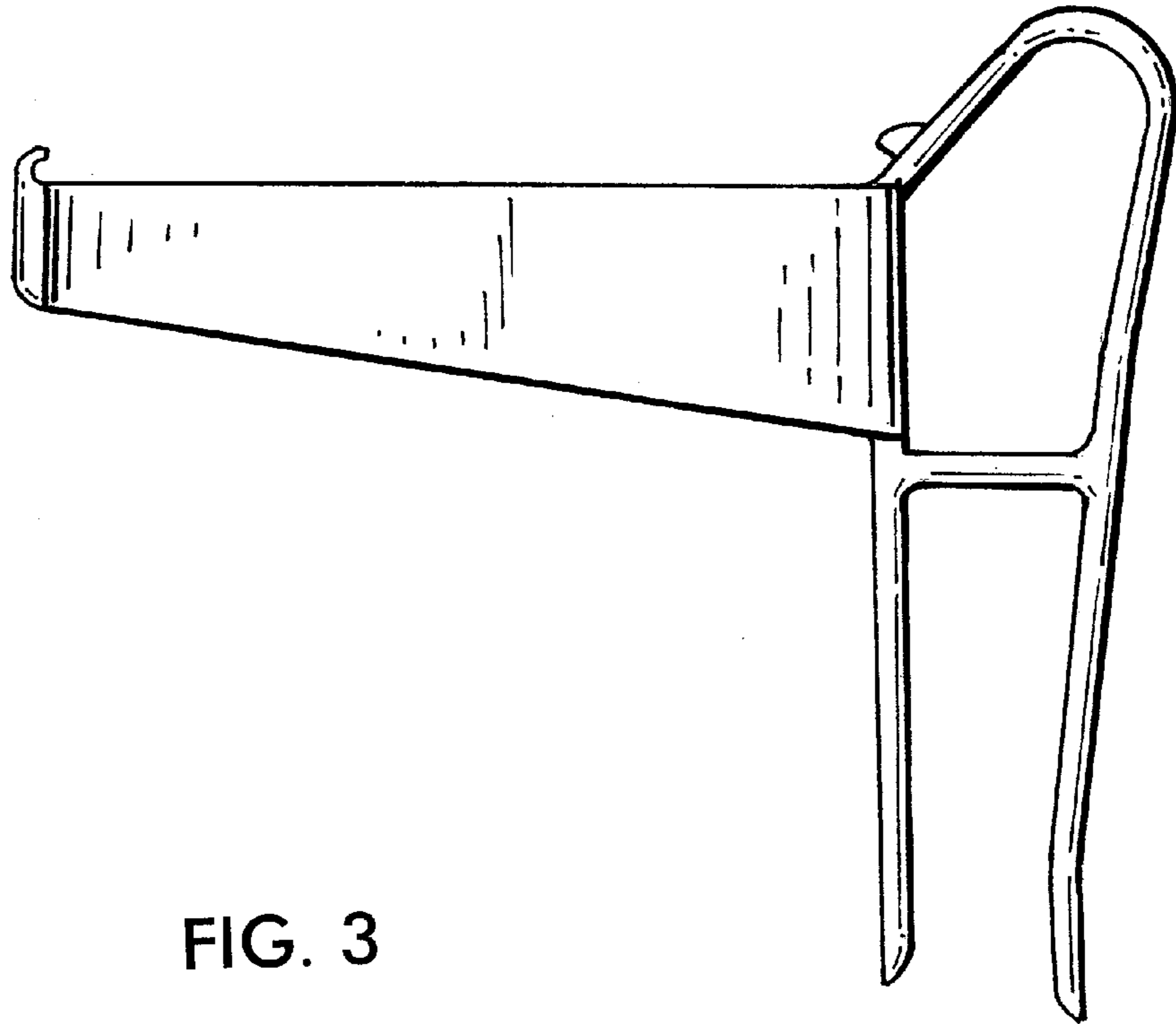


FIG. 3

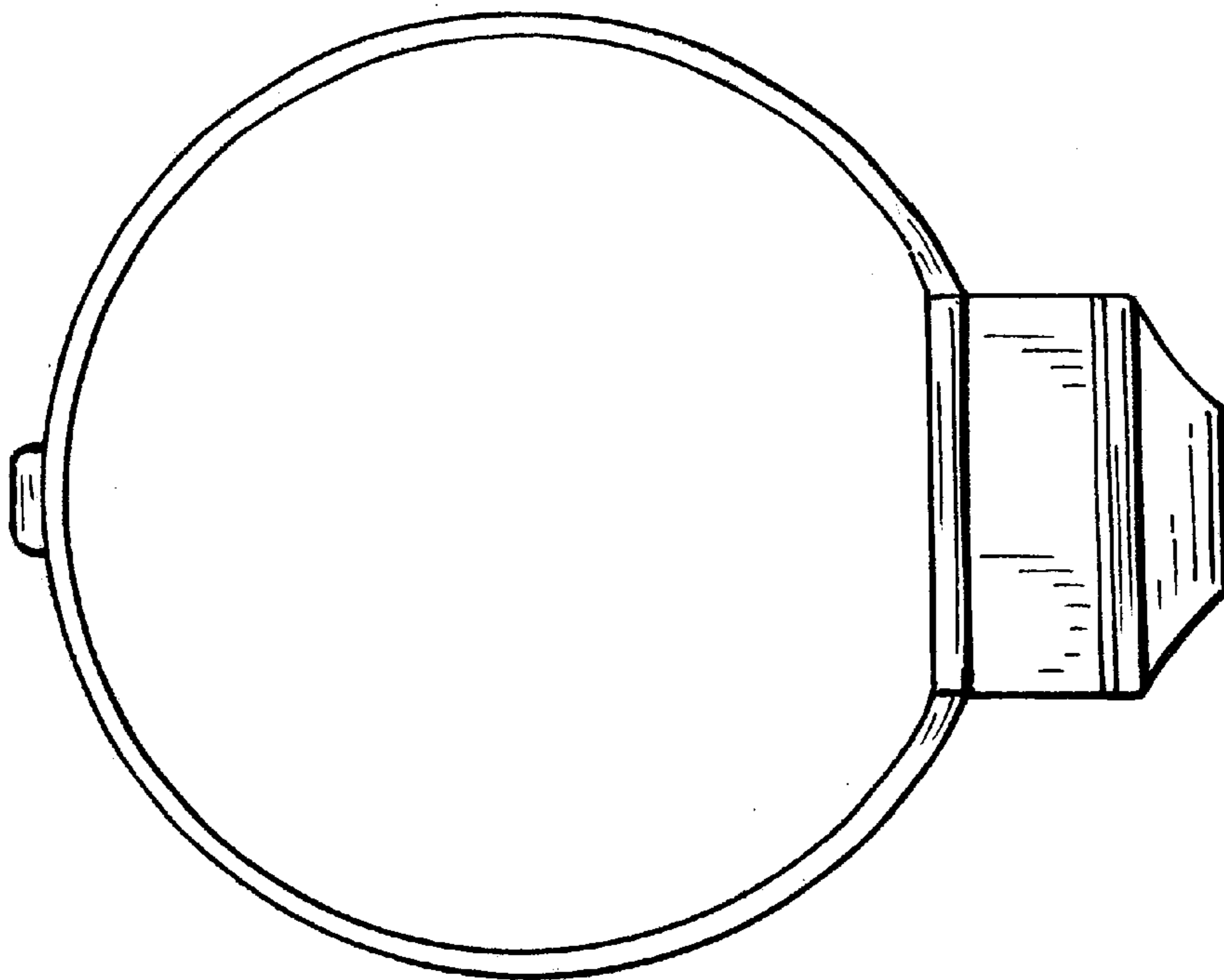


FIG. 4

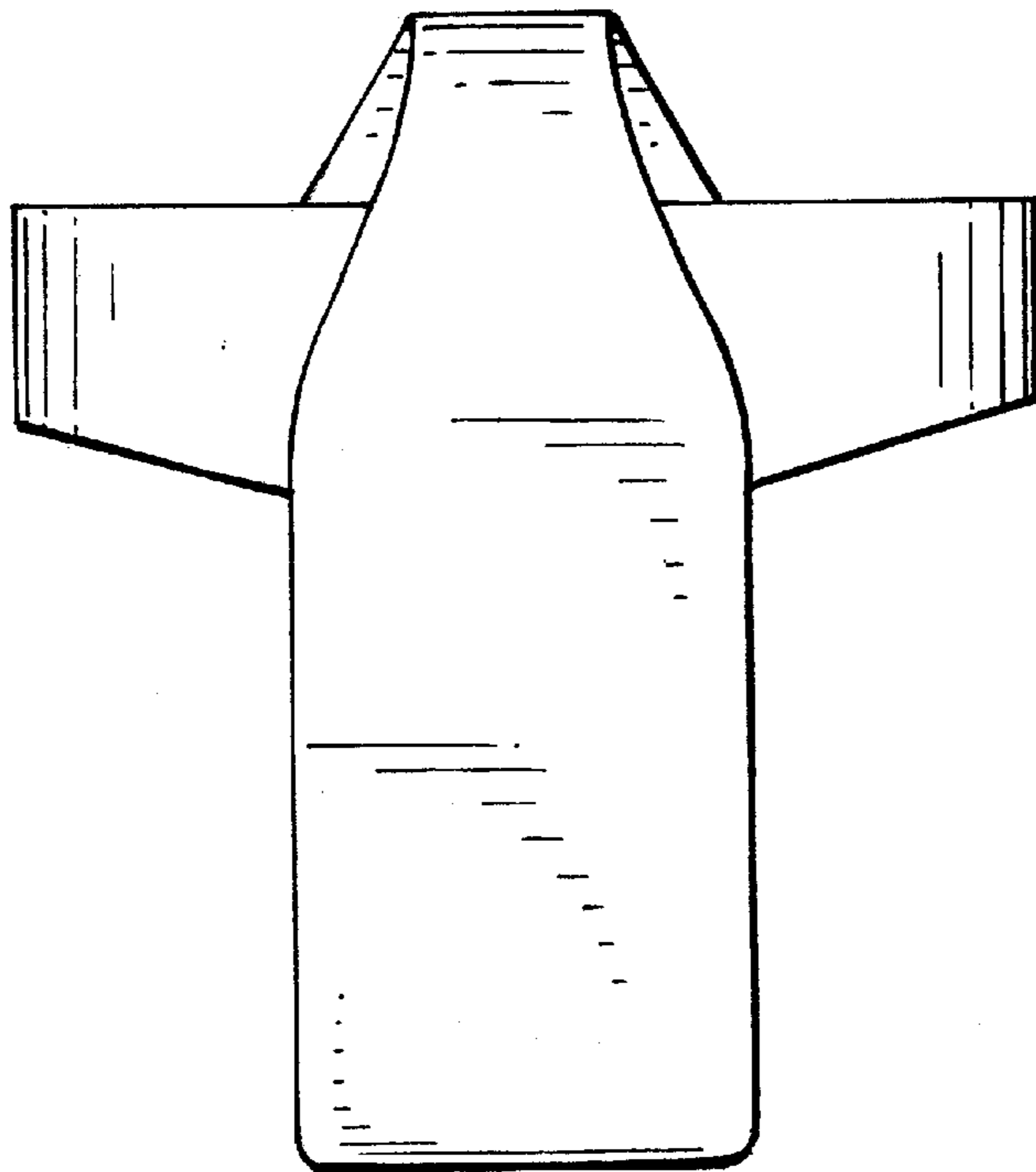


FIG. 5

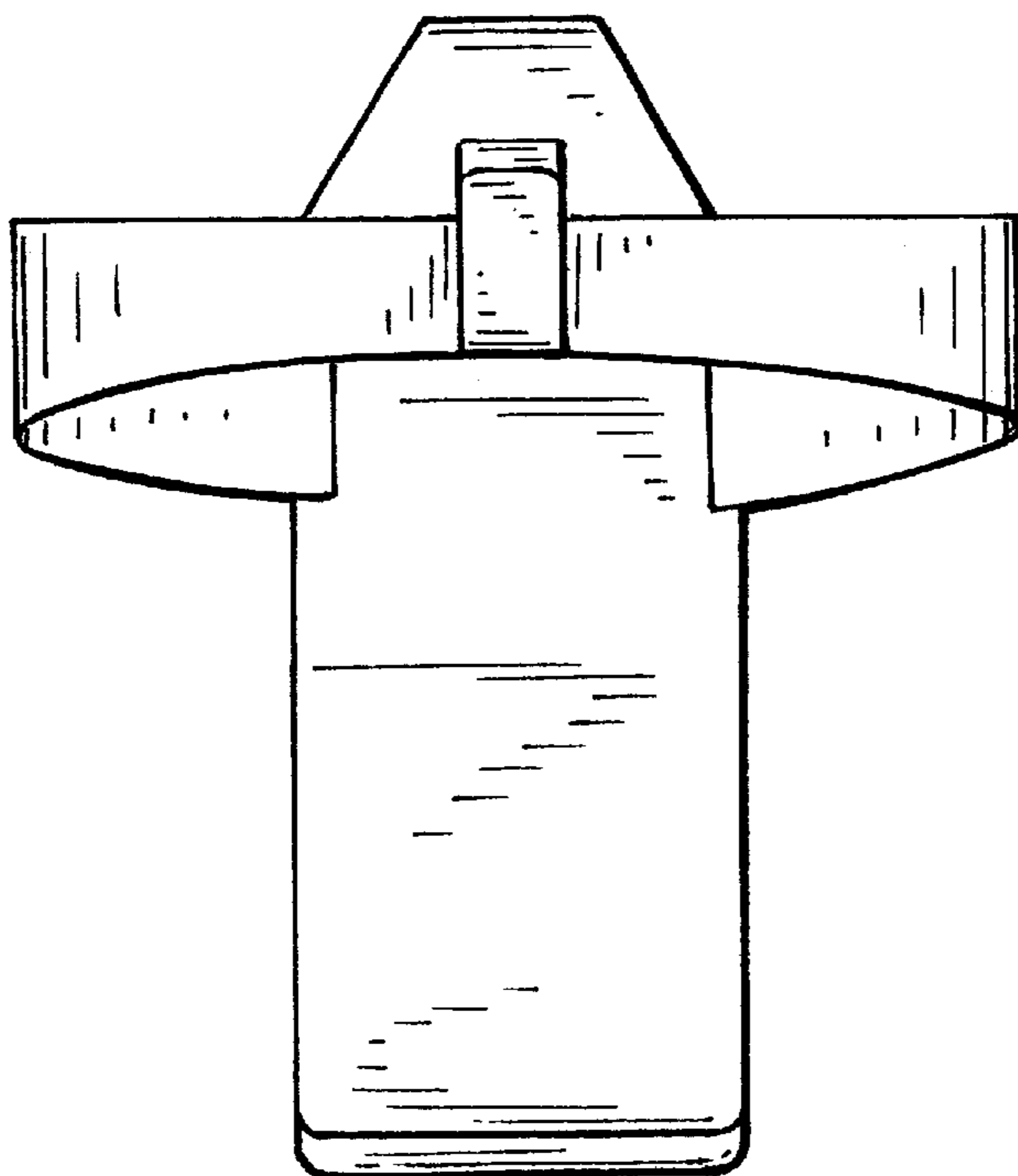


FIG. 6