



US00D484751S

(12) **United States Design Patent**
Veltrop et al.

(10) **Patent No.:** **US D484,751 S**

(45) **Date of Patent:** **** Jan. 6, 2004**

(54) **DISPENSER FOR LIQUID PRODUCTS**

(75) Inventors: **Loren J. Veltrop**, Deerfield, IL (US);
Lawrence G. Banovez, Kenosha, WI (US)

(73) Assignee: **Prince Castle Inc.**, Carol Stream, IL (US)

(**) Term: **14 Years**

(21) Appl. No.: **29/168,272**

(22) Filed: **May 4, 2002**

(51) **LOC (7) Cl.** **07-06**

(52) **U.S. Cl.** **D7/590**

(58) **Field of Search** D7/590, 401.1;
222/135, 137, 142.1, 144.5, 324, 341, 386,
496, 472, 474, 470

(56) **References Cited**

U.S. PATENT DOCUMENTS

1,353,386 A * 9/1920 Erb 222/145.3

3,260,419 A * 7/1966 Weimer et al. 222/341

4,413,972 A * 11/1983 Lawson 425/290

5,462,203 A * 10/1995 Stern 222/137

5,934,573 A * 8/1999 Weterrings et al. 222/441

* cited by examiner

Primary Examiner—Terry A. Wallace

(74) *Attorney, Agent, or Firm*—John R. Hoffman

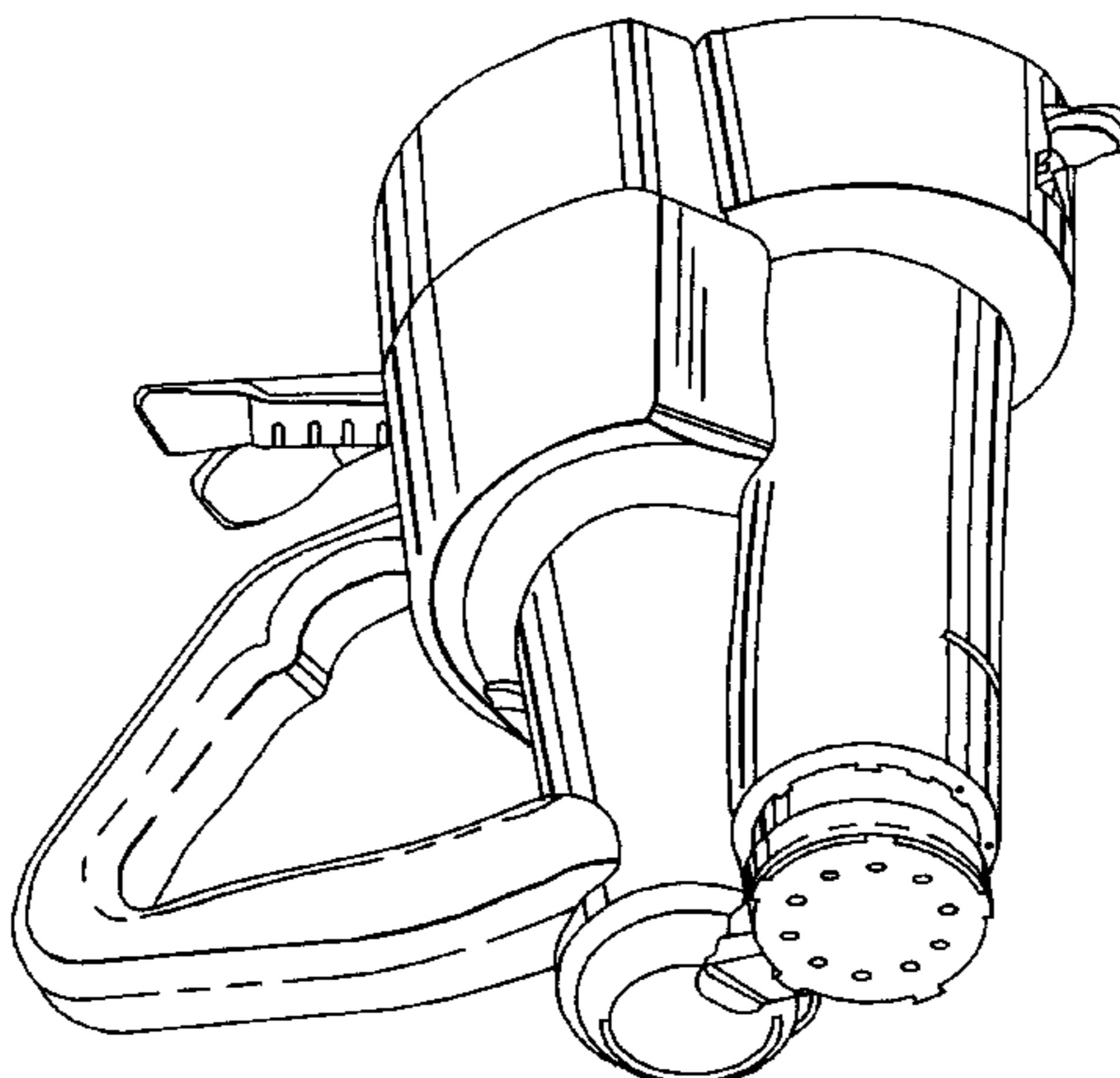
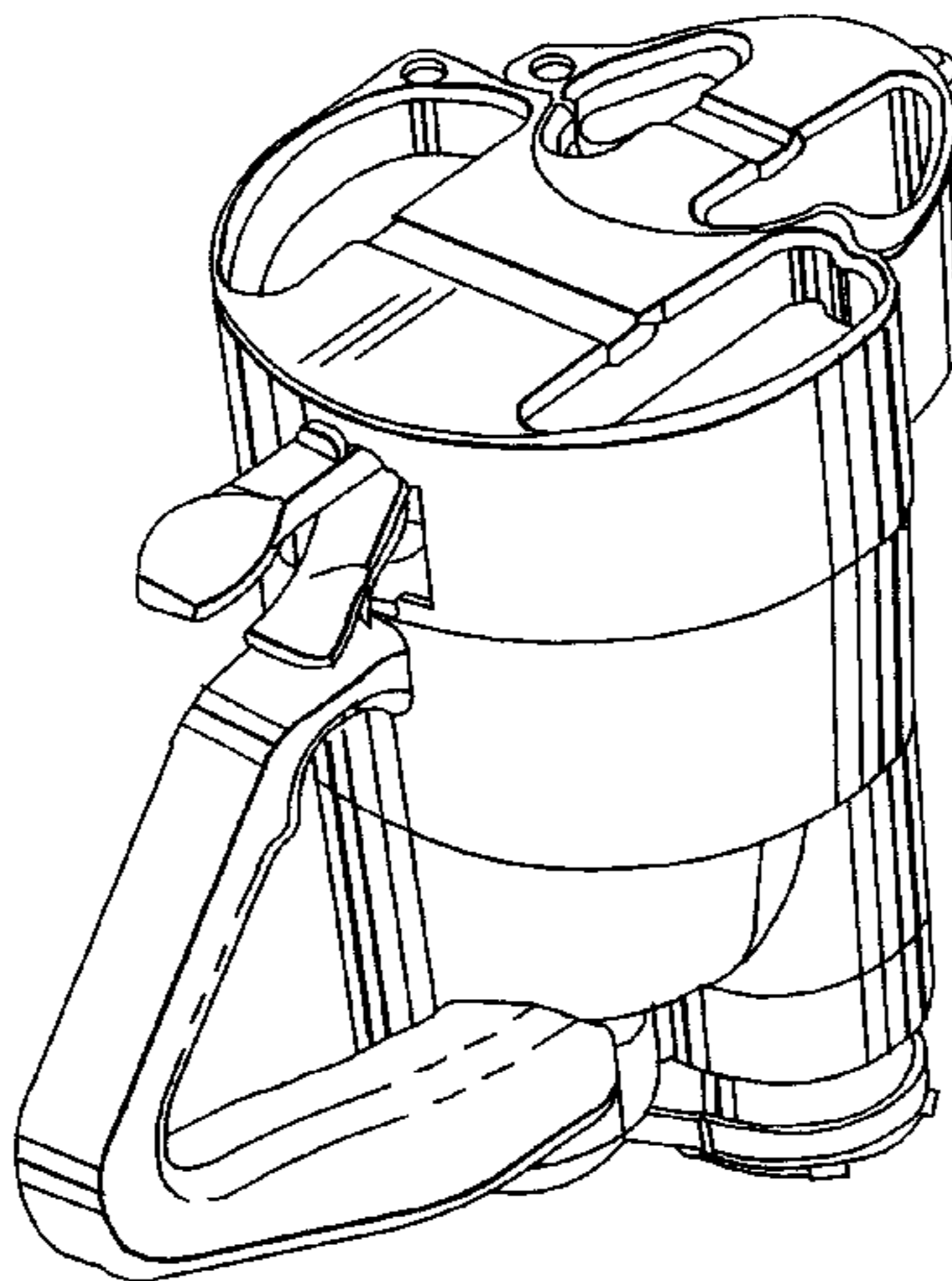
(57) **CLAIM**

The ornamental design of a dispenser for liquid products, as shown and described.

DESCRIPTION

FIG. 1 is a top rear perspective view of my Design;
FIG. 2 is a bottom front perspective view of my Design;
FIG. 3 is a front elevational view of my Design;
FIG. 4 is a rear elevational view of my Design;
FIG. 5 is a side elevational view of my Design, the opposite side being substantially a mirror image thereof;
FIG. 6 is a top plan view of my Design; and,
FIG. 7 is a bottom plan view of my Design.

1 Claim, 4 Drawing Sheets



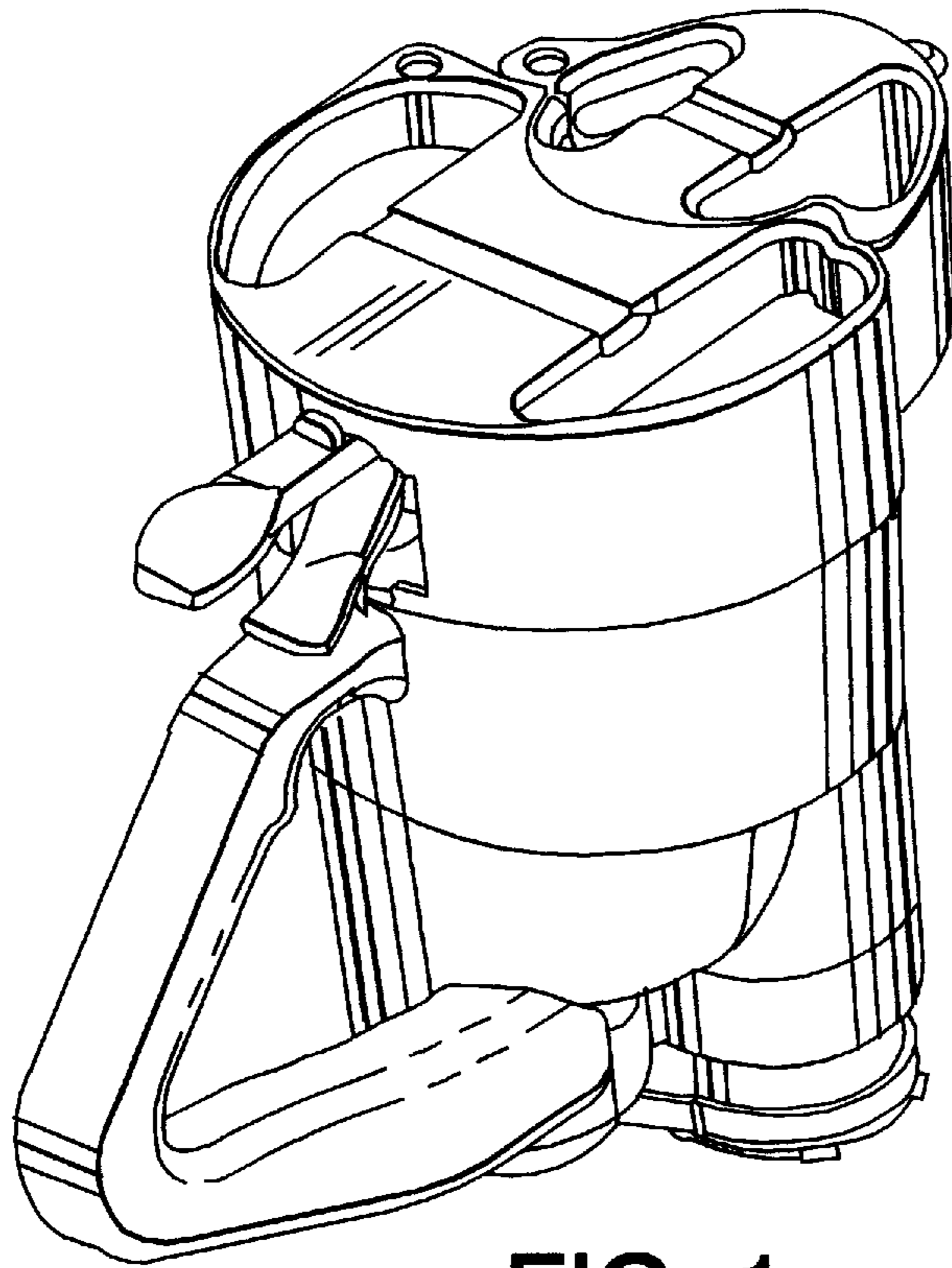


FIG. 1

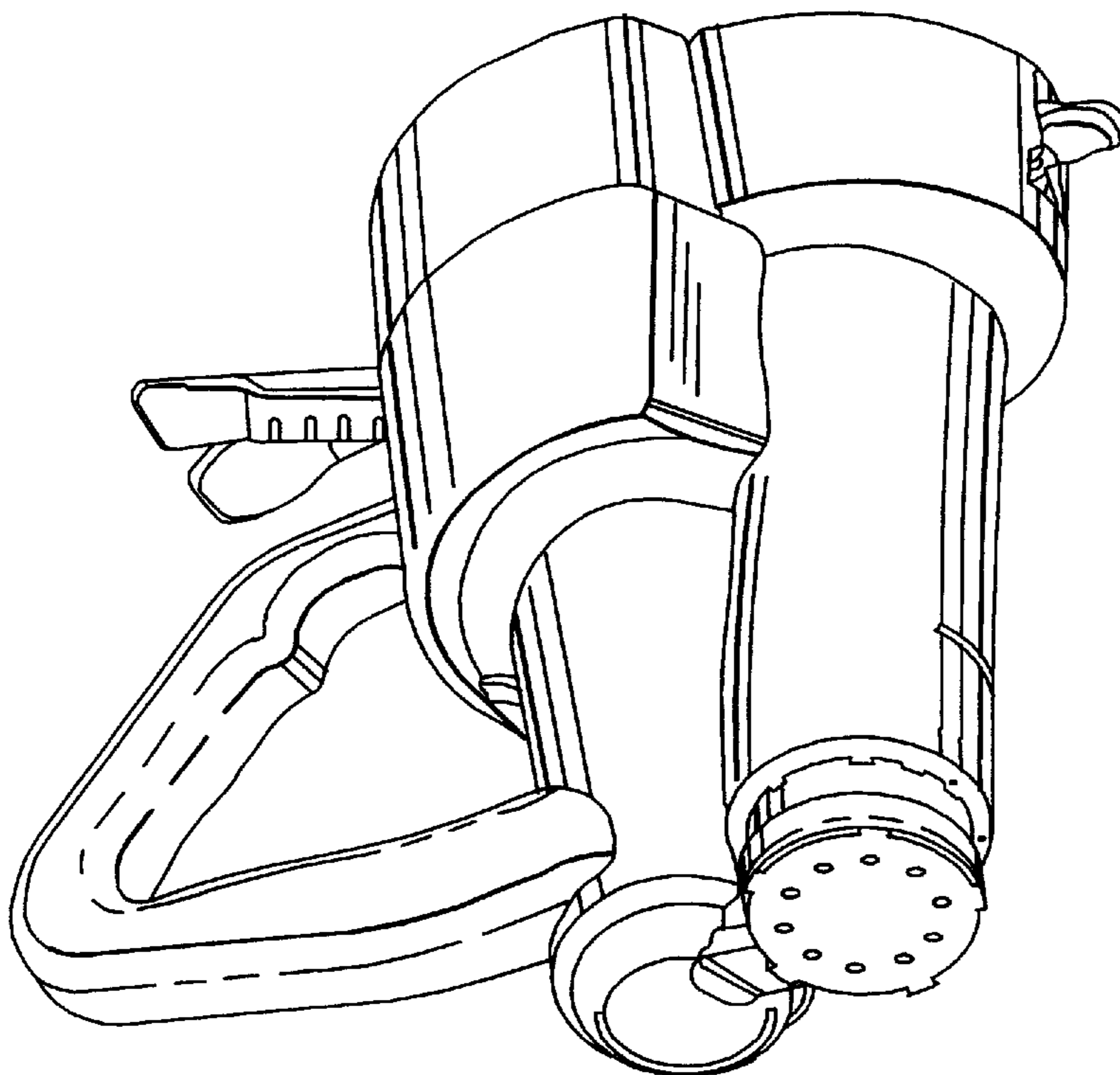


FIG. 2

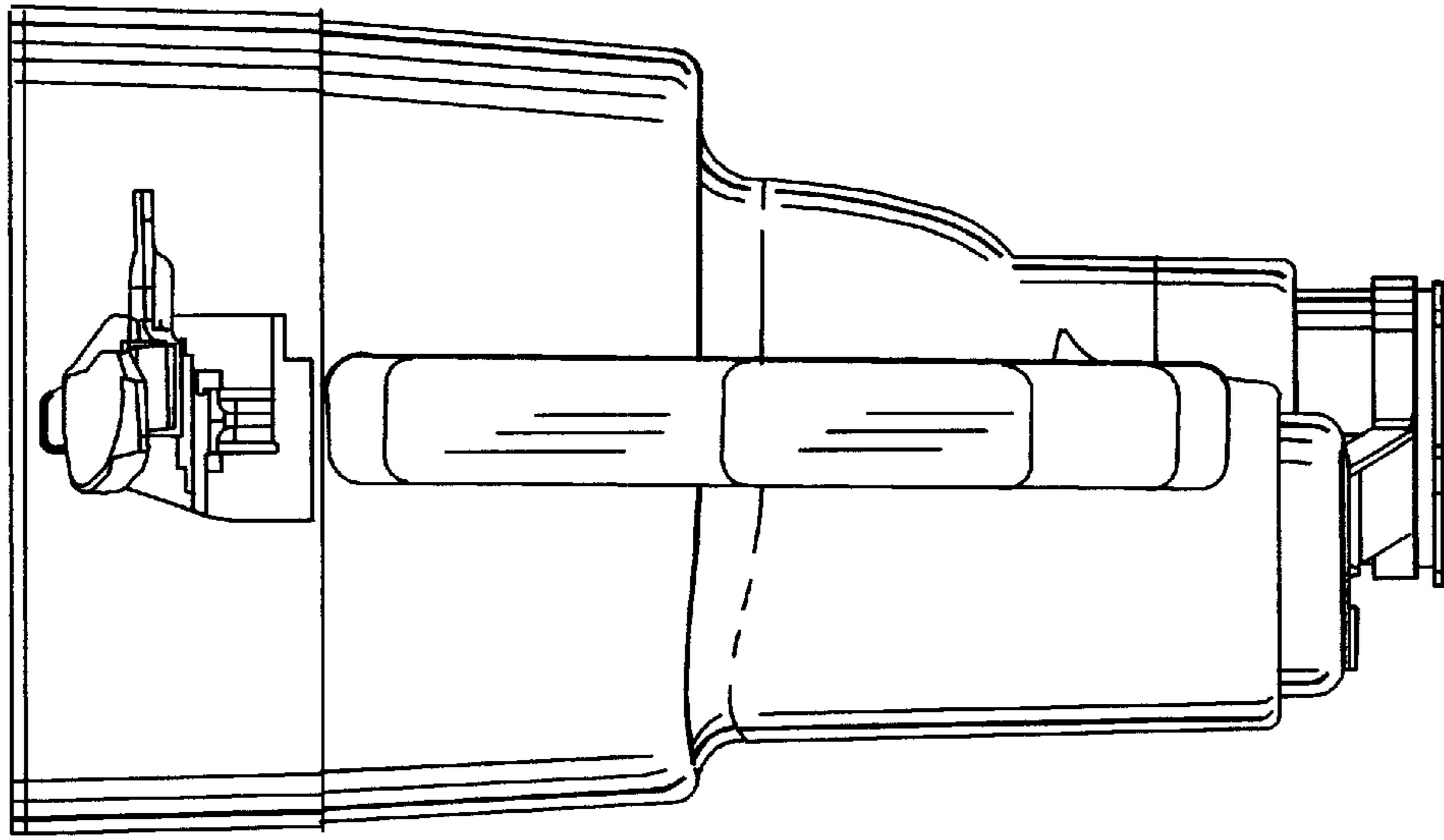


FIG. 4

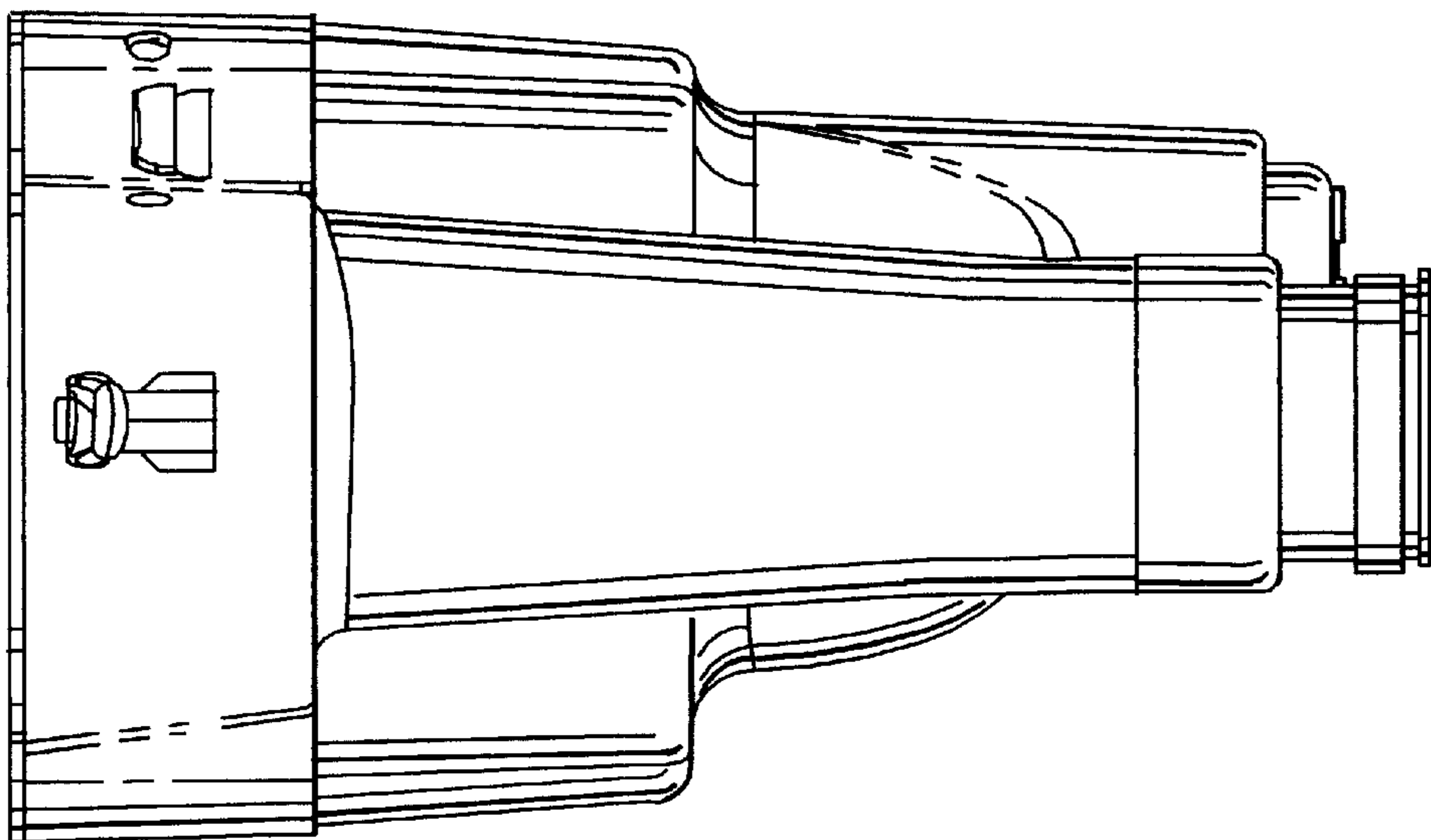


FIG. 3

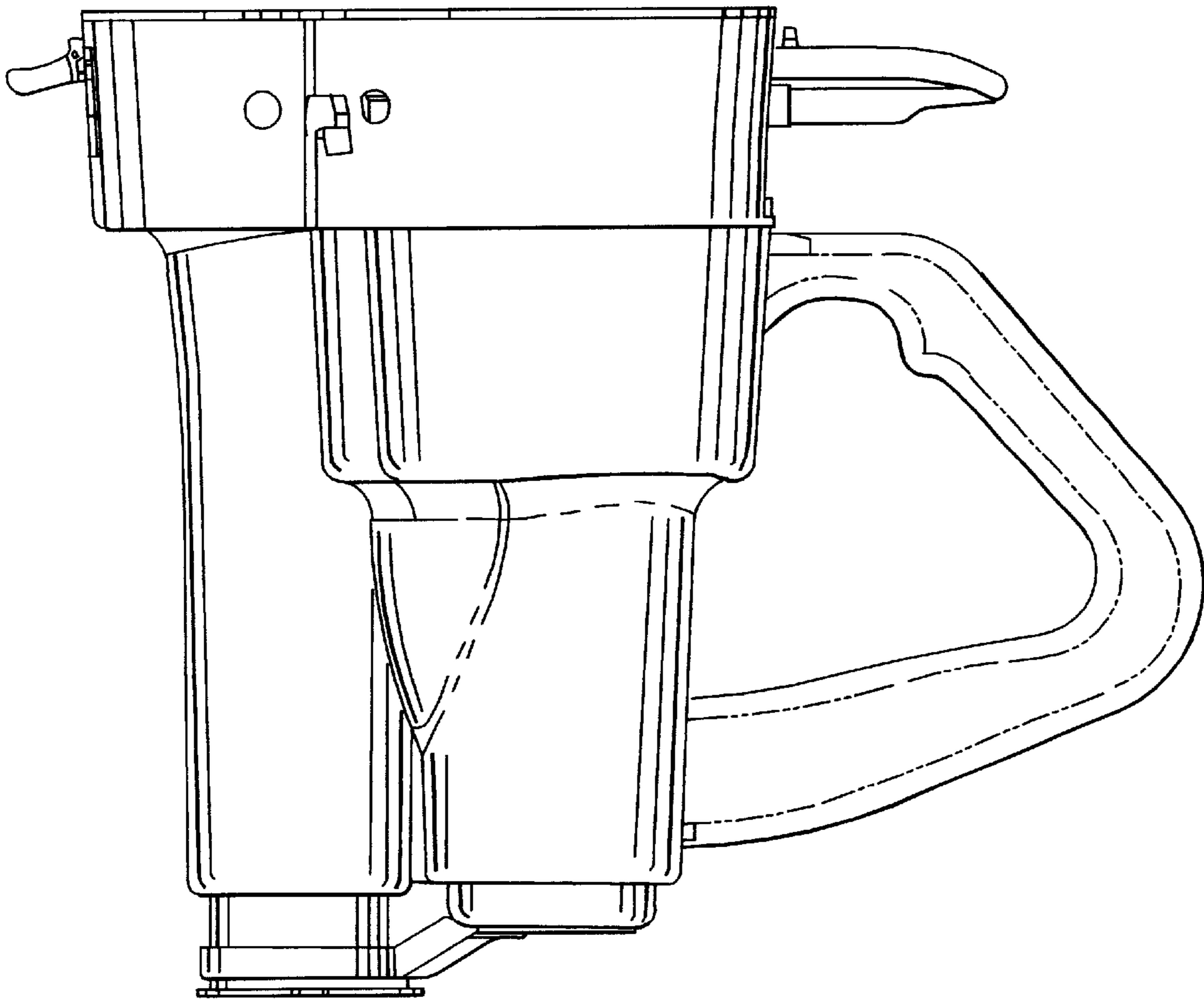


FIG. 5

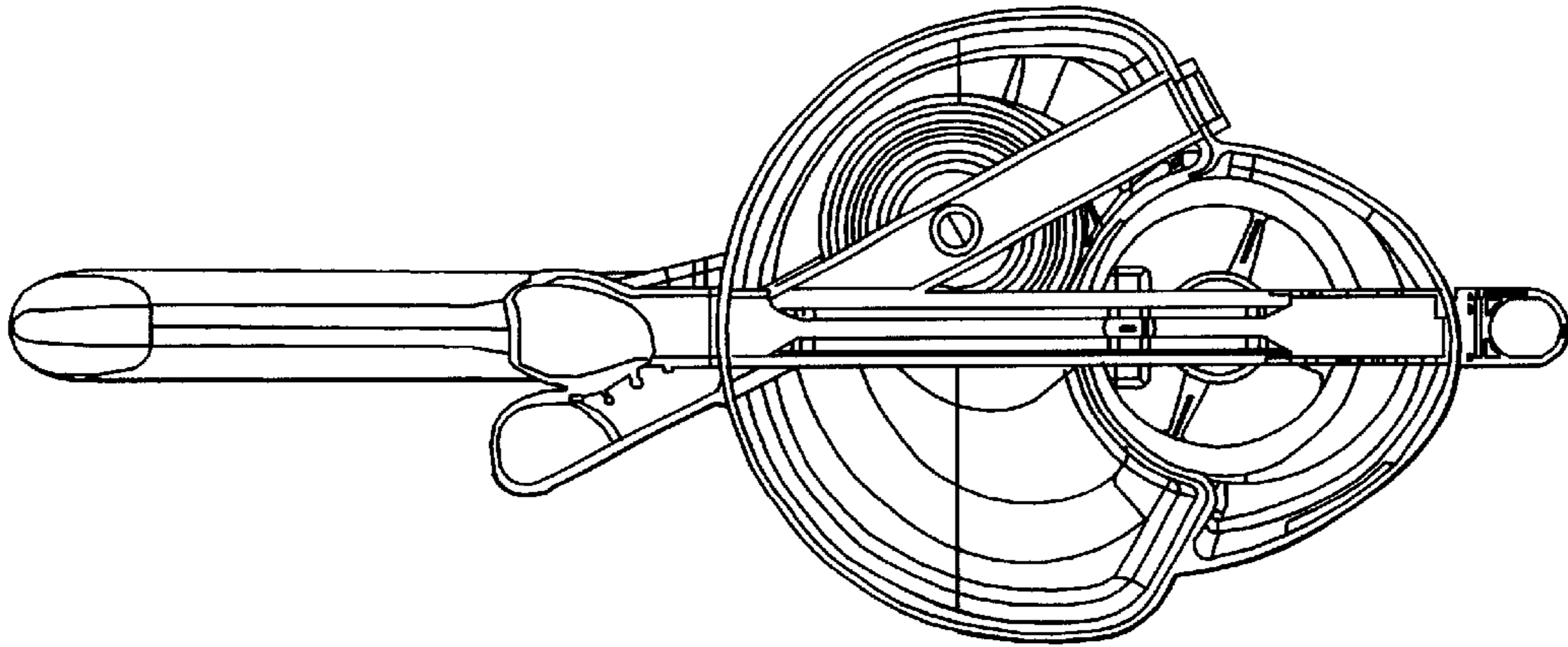


FIG. 6

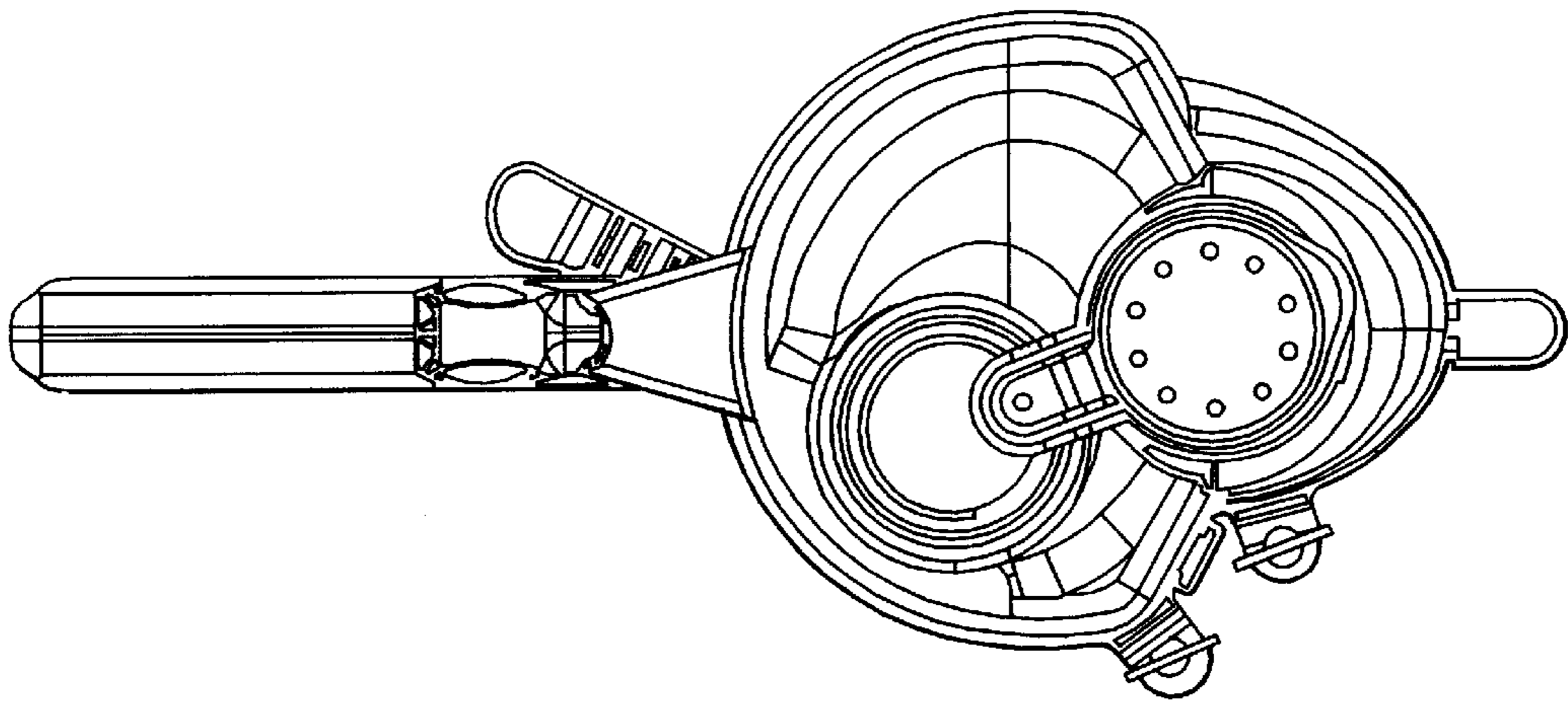


FIG. 7