



US00D484744S

(12) **United States Design Patent**
Shamoon

(10) **Patent No.:** **US D484,744 S**

(45) **Date of Patent:** **** Jan. 6, 2004**

(54) **TORTILLA WARMER**

(76) **Inventor:** **Ellis N. Shamoon**, 2833 Park Bridge Ct., Dallas, TX (US) 75219

(**) **Term:** **14 Years**

(21) **Appl. No.:** **29/177,045**

(22) **Filed:** **Mar. 4, 2003**

(51) **LOC (7) Cl.** **07-01**

(52) **U.S. Cl.** **D7/540; D7/547; D7/542**

(58) **Field of Search** **D7/354, 540, 538, D7/542, 543, 547, 545, 501, 601, 602, 608, 610, 629; 220/547, 369, 552, 575, 4.27, 380; 206/509, 508; 99/447**

(56) **References Cited**

U.S. PATENT DOCUMENTS

D228,114 S * 8/1973 La Rosa D7/542
D287,802 S * 1/1987 Daenen D7/540

D299,801 S * 2/1989 Basitodos D7/540

D305,197 S * 12/1989 Valdes D7/354

D331,351 S * 12/1992 Finney et al. D7/540

D353,521 S * 12/1994 Booten D7/629

D475,893 S * 6/2003 Hottenroth et al. D7/542

* cited by examiner

Primary Examiner—M. N. Pandozzi

(74) *Attorney, Agent, or Firm*—Daniel V. Thompson

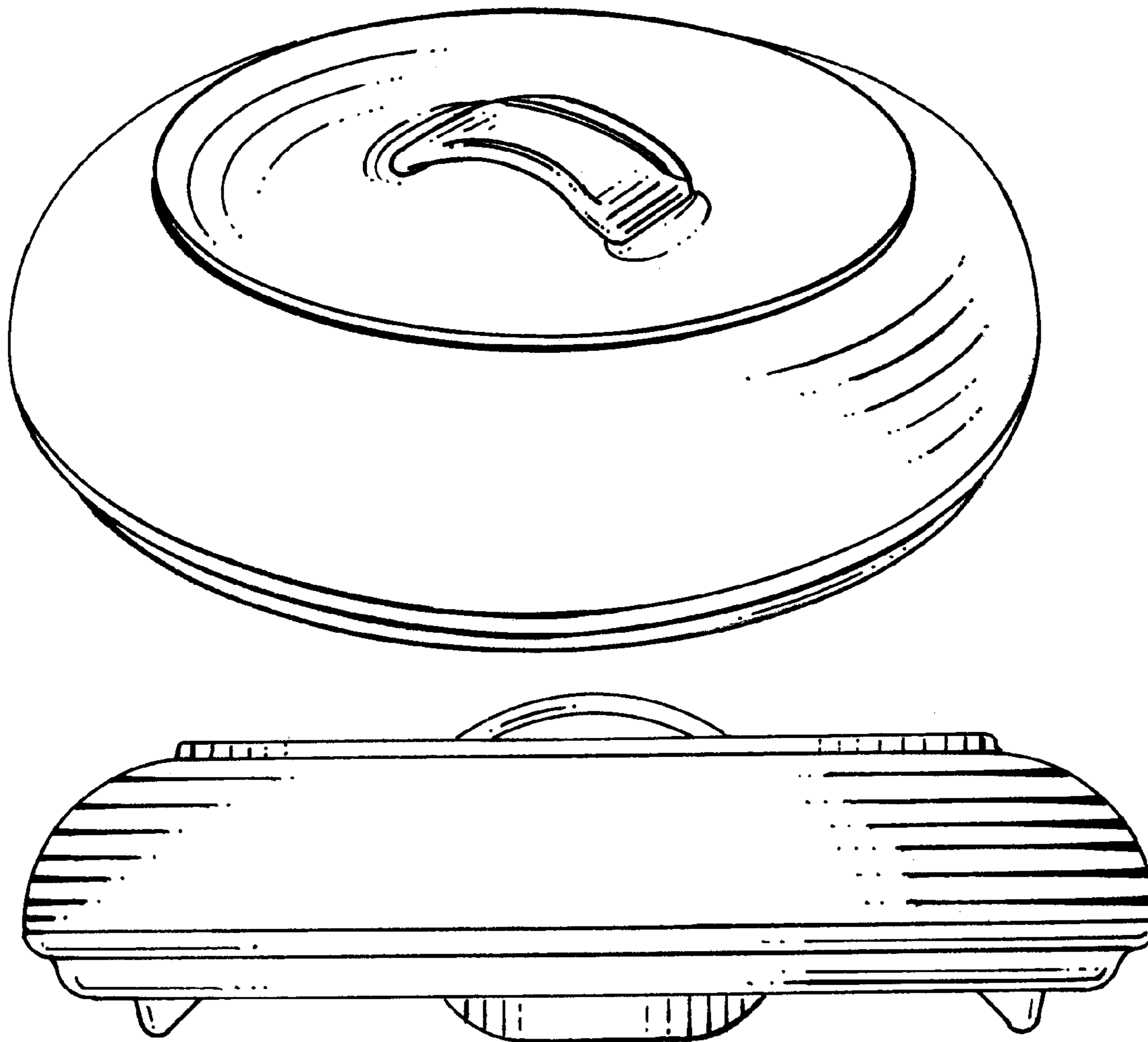
(57) **CLAIM**

The ornamental design for a “tortilla warmer”, as shown and described.

DESCRIPTION

FIG. 1 is a perspective view;
FIG. 2 is a front view, which is identical to a back view;
FIG. 3 is a side view, which is identical from each side;
FIG. 4 is a top view; and,
FIG. 5 is a bottom view.

1 Claim, 2 Drawing Sheets



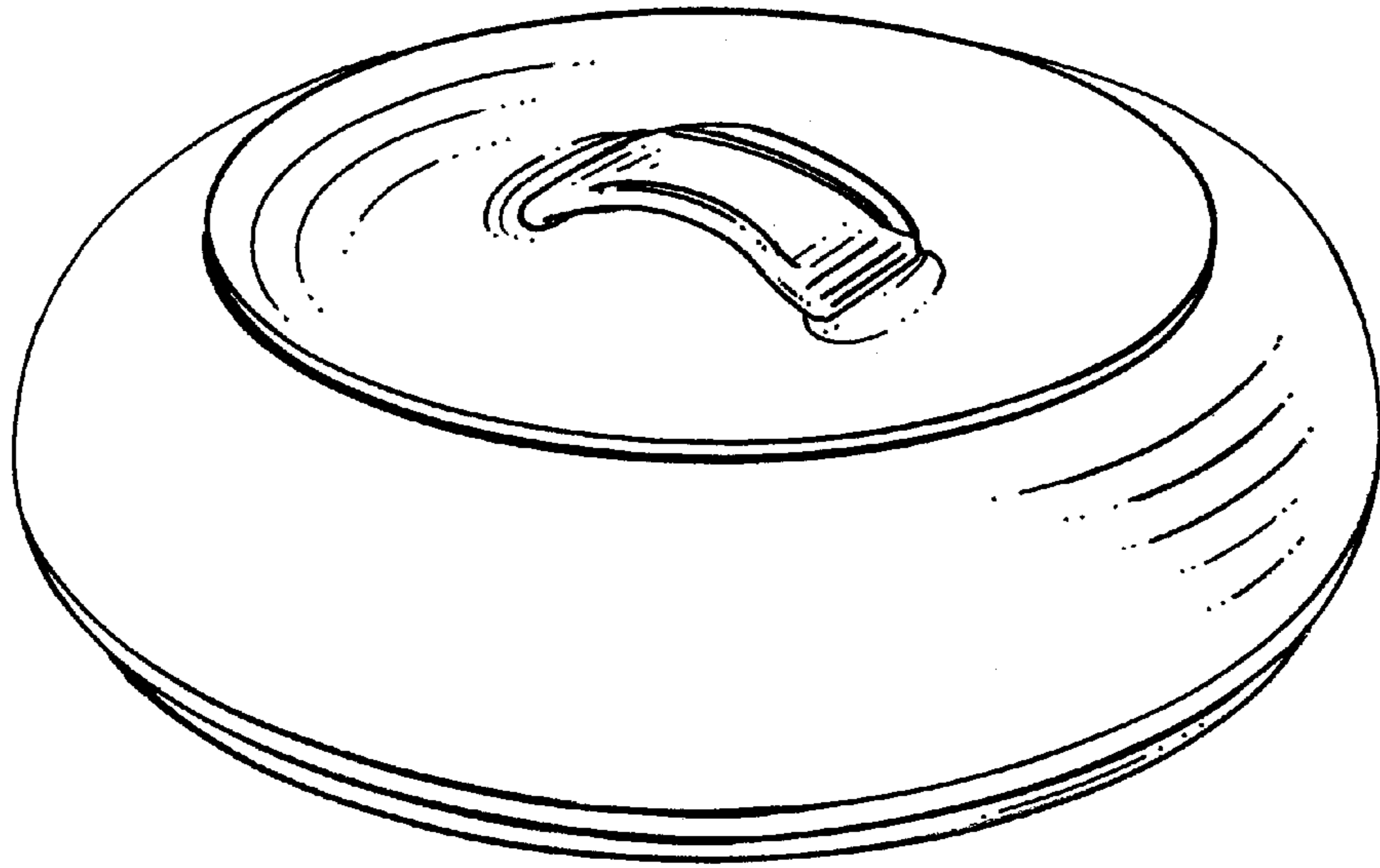


FIG. 1

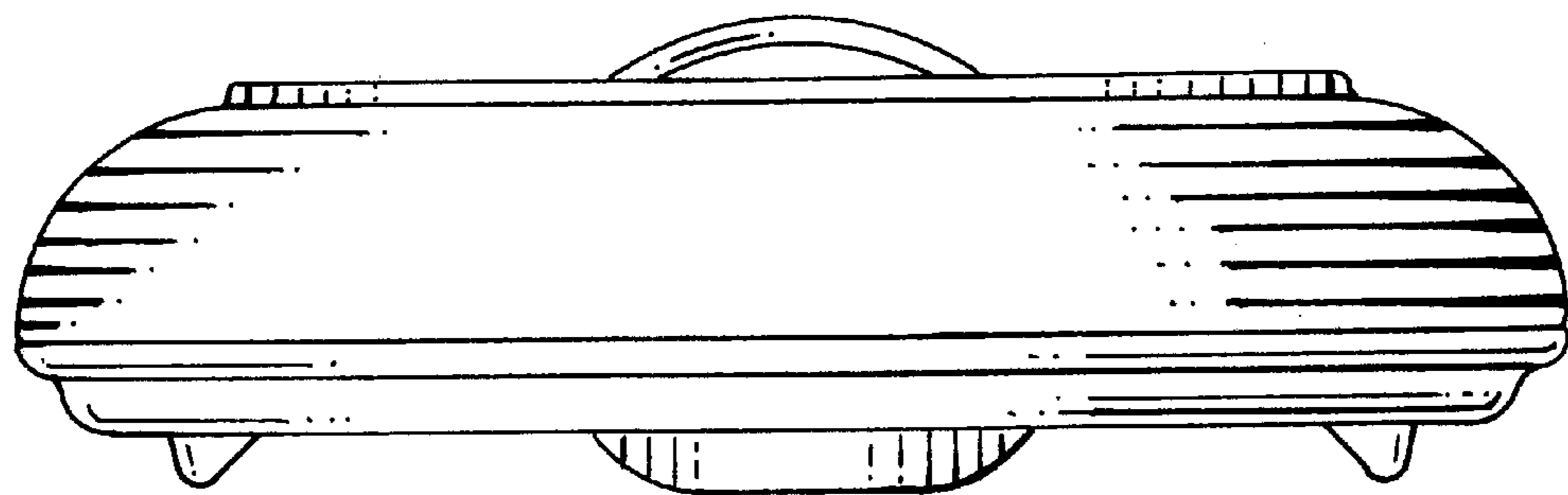


FIG. 2

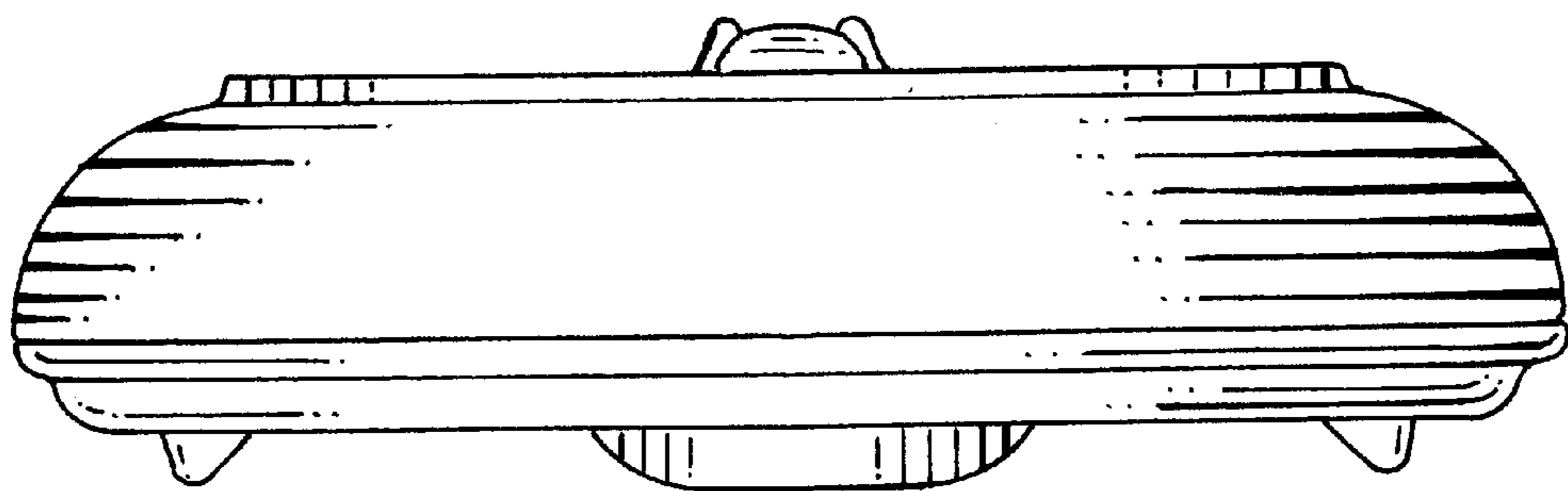


FIG. 3

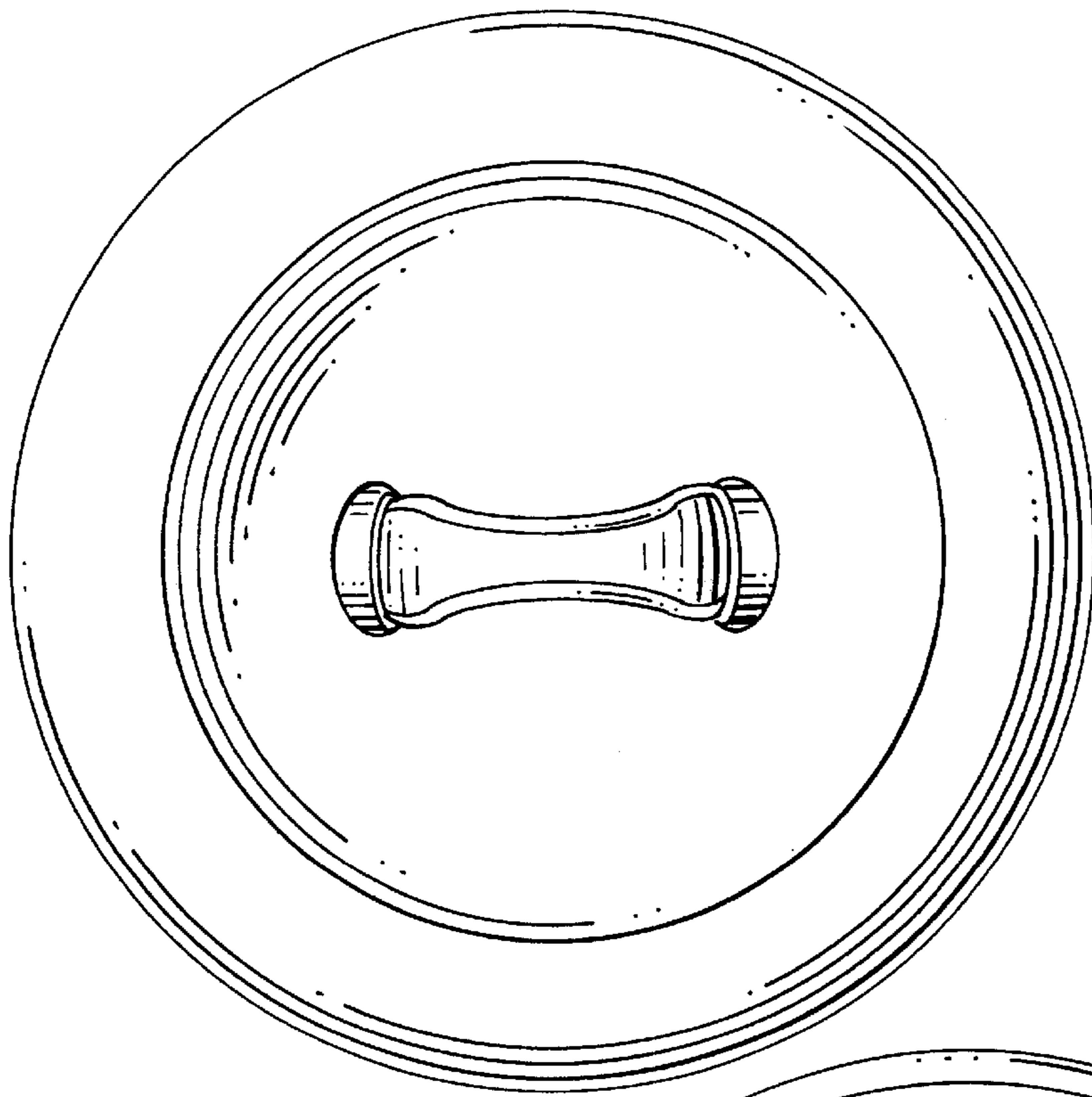


FIG. 4

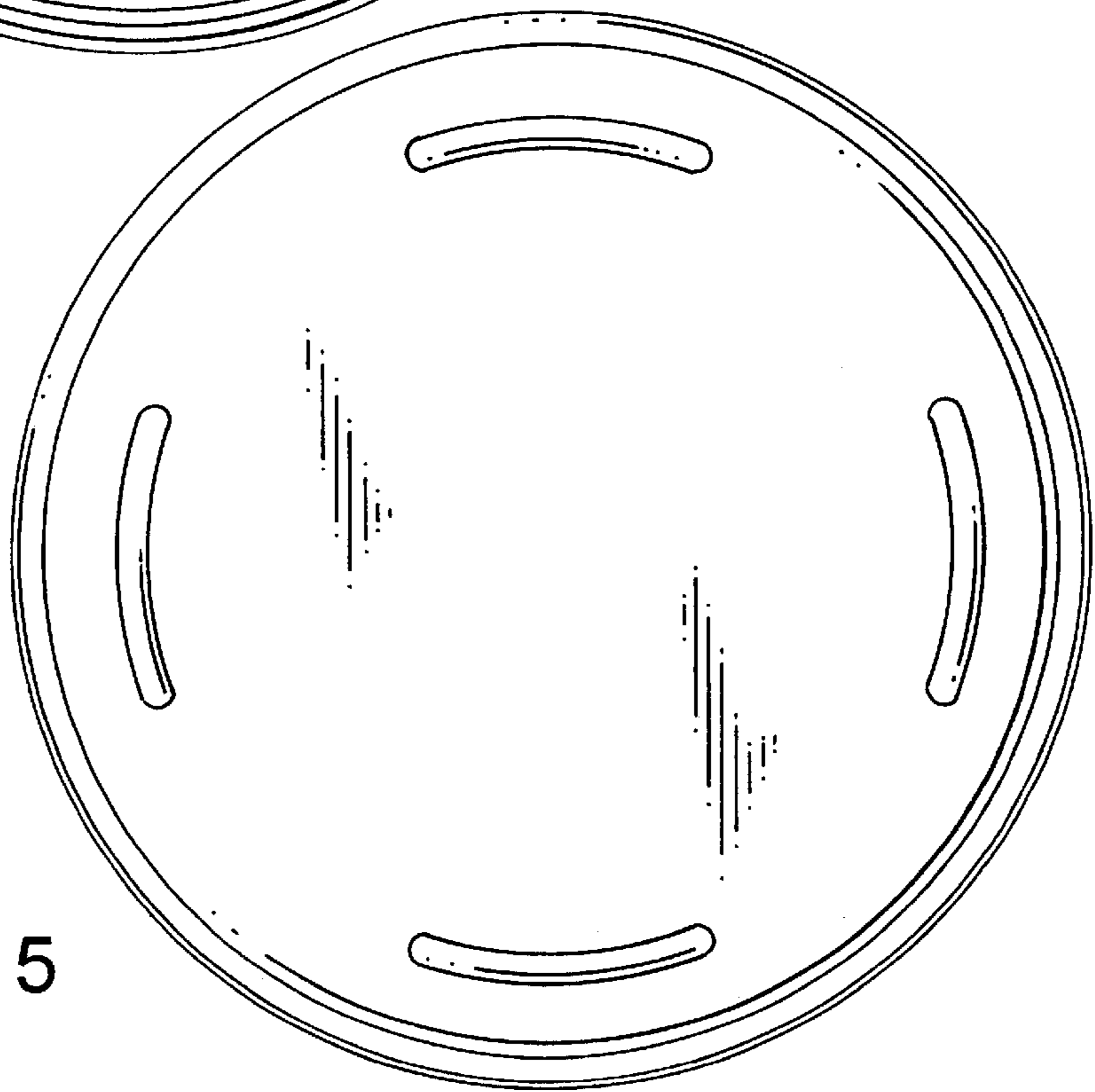


FIG. 5