



US00D484739S

(12) **United States Design Patent**
Shumway et al.

(10) **Patent No.:** **US D484,739 S**
(45) **Date of Patent:** **** Jan. 6, 2004**

(54) **POLICEMAN SIPPER CUP LID**

D472,424 S * 4/2003 Shumway et al. D7/392.1
D474,938 S * 5/2003 Malik D7/392.1

(76) Inventors: **Craig S. Shumway**, 1532 Hunters Mill Pl., Oviedo, FL (US) 32765; **Amy M. Shumway**, 1532 Hunters Mill Pl., Oviedo, FL (US) 32765

* cited by examiner

Primary Examiner—M. N. Pandozzi
(74) *Attorney, Agent, or Firm*—James H. Beusse; Beusse Brownlee Bowdoin & Wolter, P.A.

(**) Term: **14 Years**

(57) **CLAIM**

(21) Appl. No.: **29/179,947**

The ornamental design for a policeman sipper cup lid, as shown and described.

(22) Filed: **Apr. 17, 2003**

(51) **LOC (7) Cl.** **07-99**

DESCRIPTION

(52) **U.S. Cl.** **D7/392.1; D7/396.2; D7/900**

FIG. 1 is a front perspective view of my design for a sipper cup lid;

(58) **Field of Search** D7/392.1, 396.2, D7/900, 396.1, 514, 515, 501, 507, 510, 511; 206/779, 446, 719; 220/662, 705; D9/307

FIG. 2 is a front elevation view of the design of FIG. 1; FIG. 3 is a rear elevation view of the design of FIG. 1; FIG. 4 is a right side elevation view of the design of FIG. 1; FIG. 5 is a top plan view of the design of FIG. 1; and, FIG. 6 is a bottom view of the design of FIG. 1.

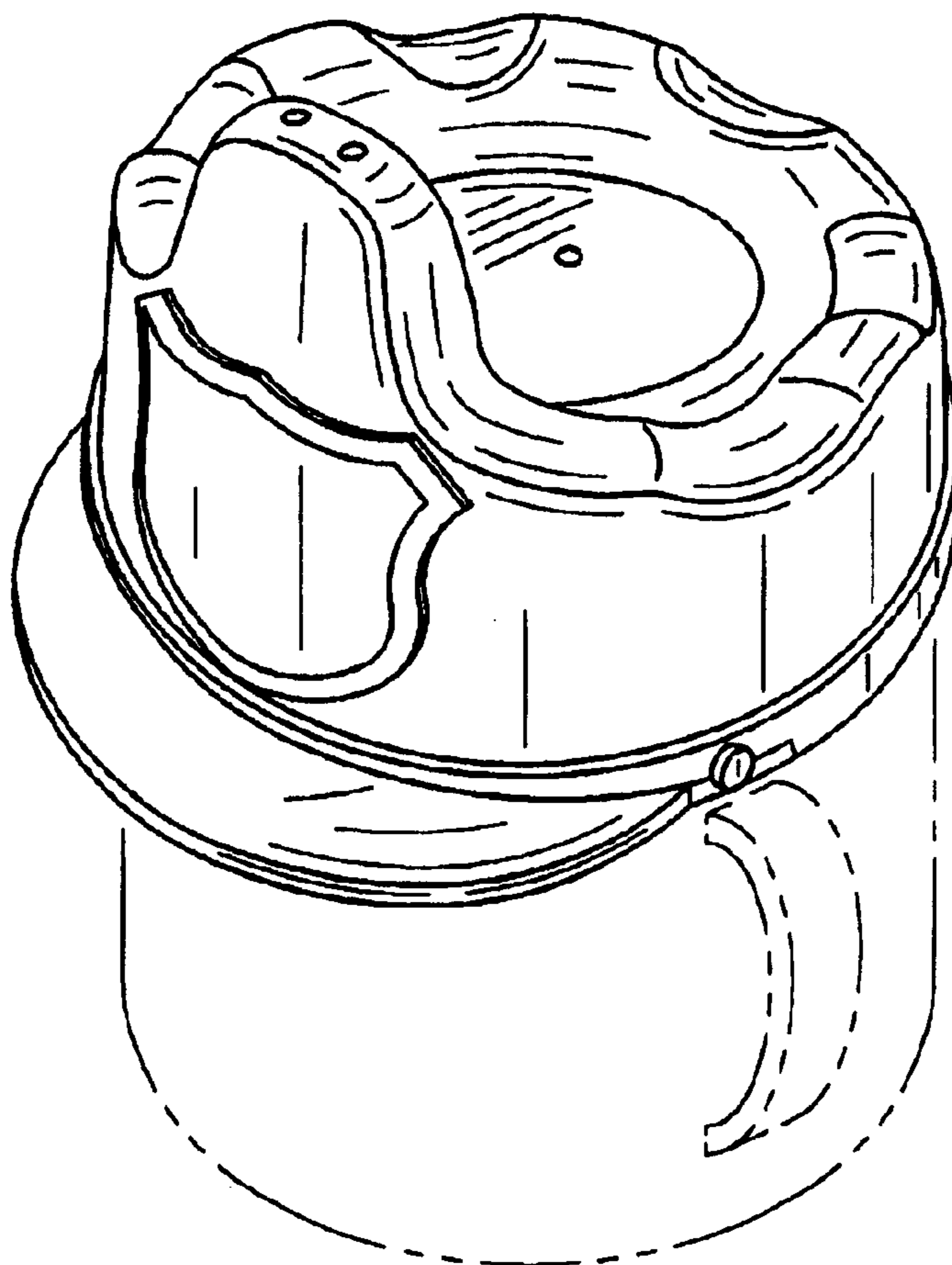
(56) **References Cited**

The broken lines in the drawings are for illustrative purposes only and form no part of the claimed design.

U.S. PATENT DOCUMENTS

4,925,052 A * 5/1990 Betka et al. 220/719
D441,607 S * 5/2001 Steinfels D7/515
D457,778 S * 5/2002 Randolph et al. D7/392.1

1 Claim, 2 Drawing Sheets



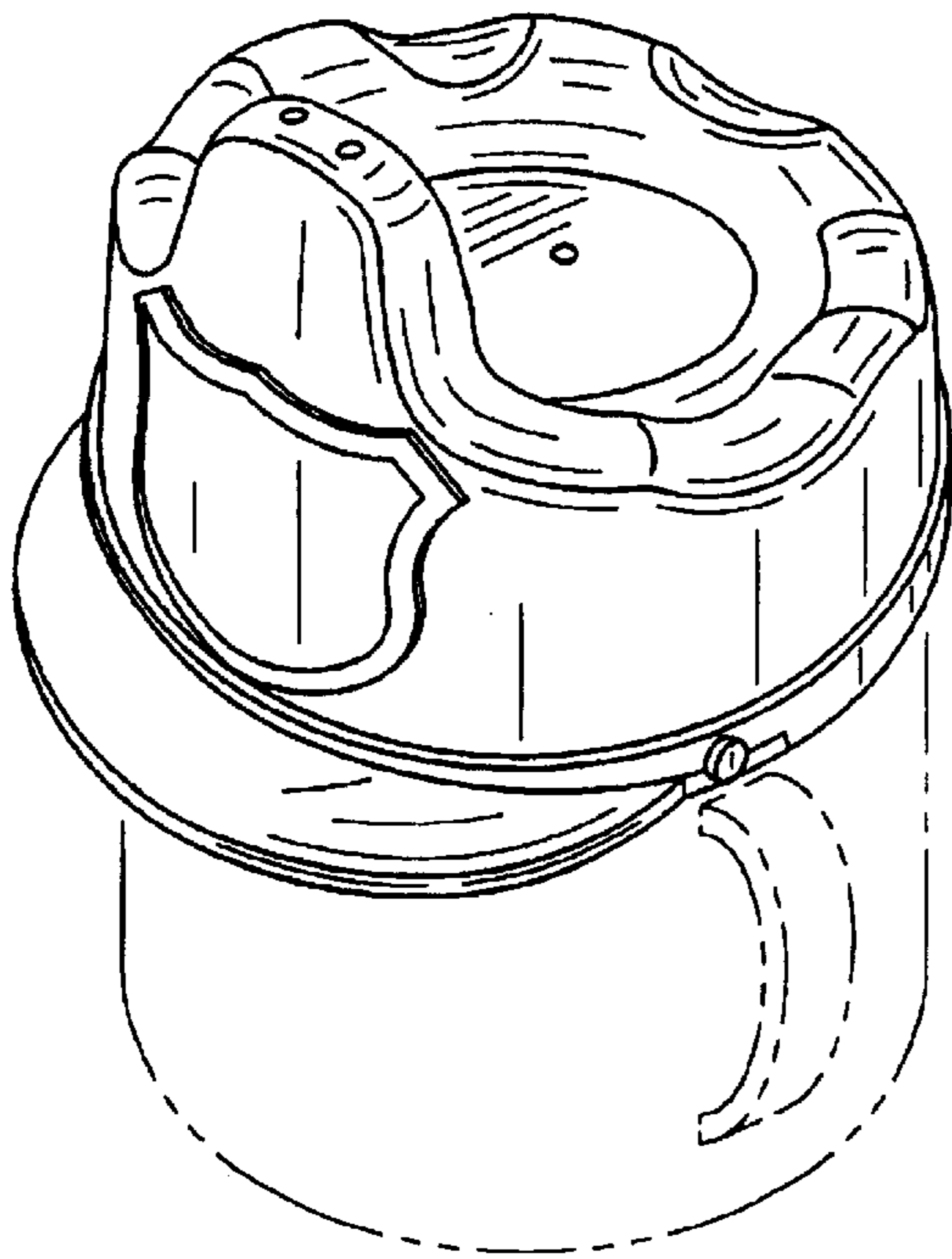


FIG. 1

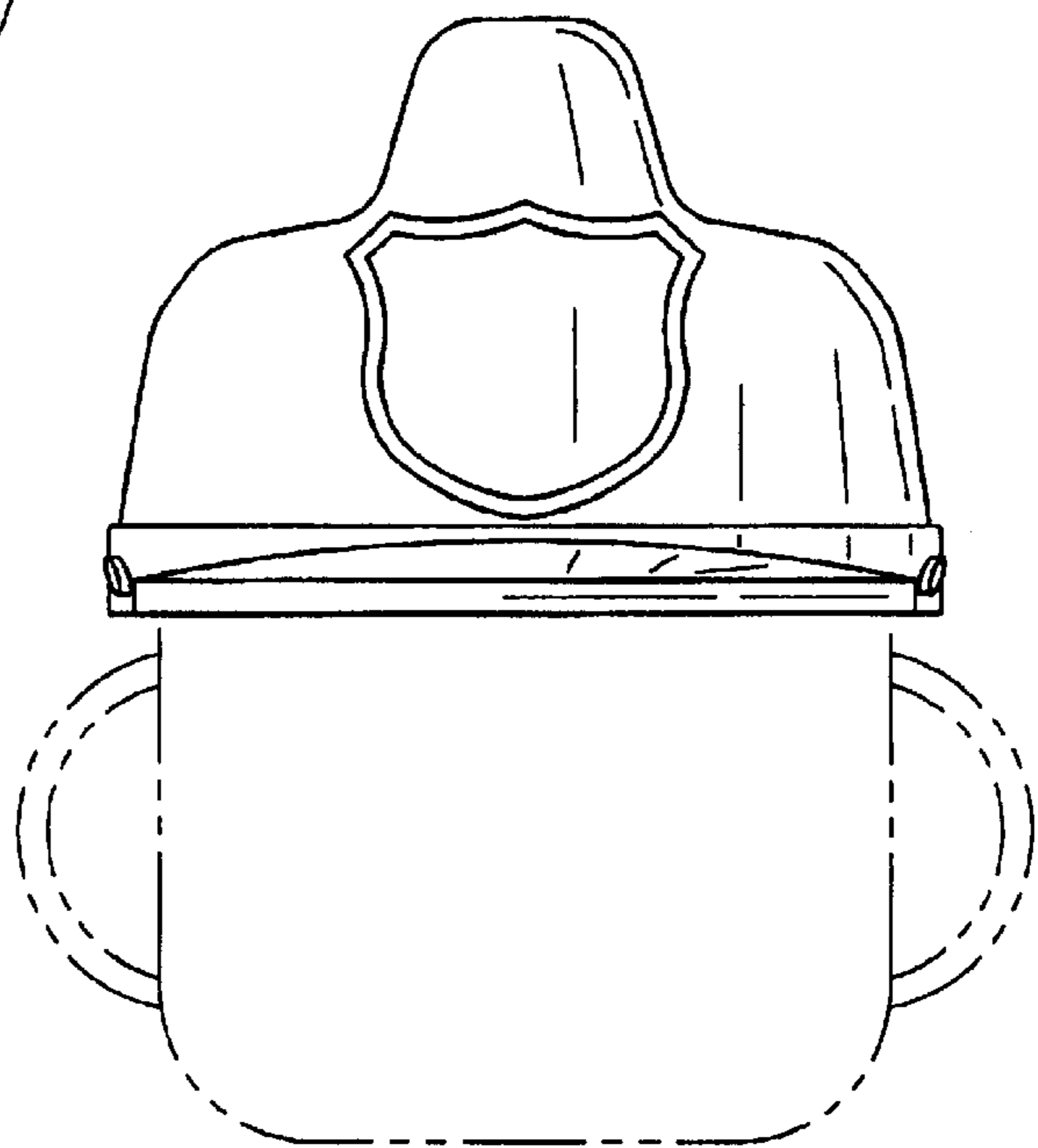


FIG. 2

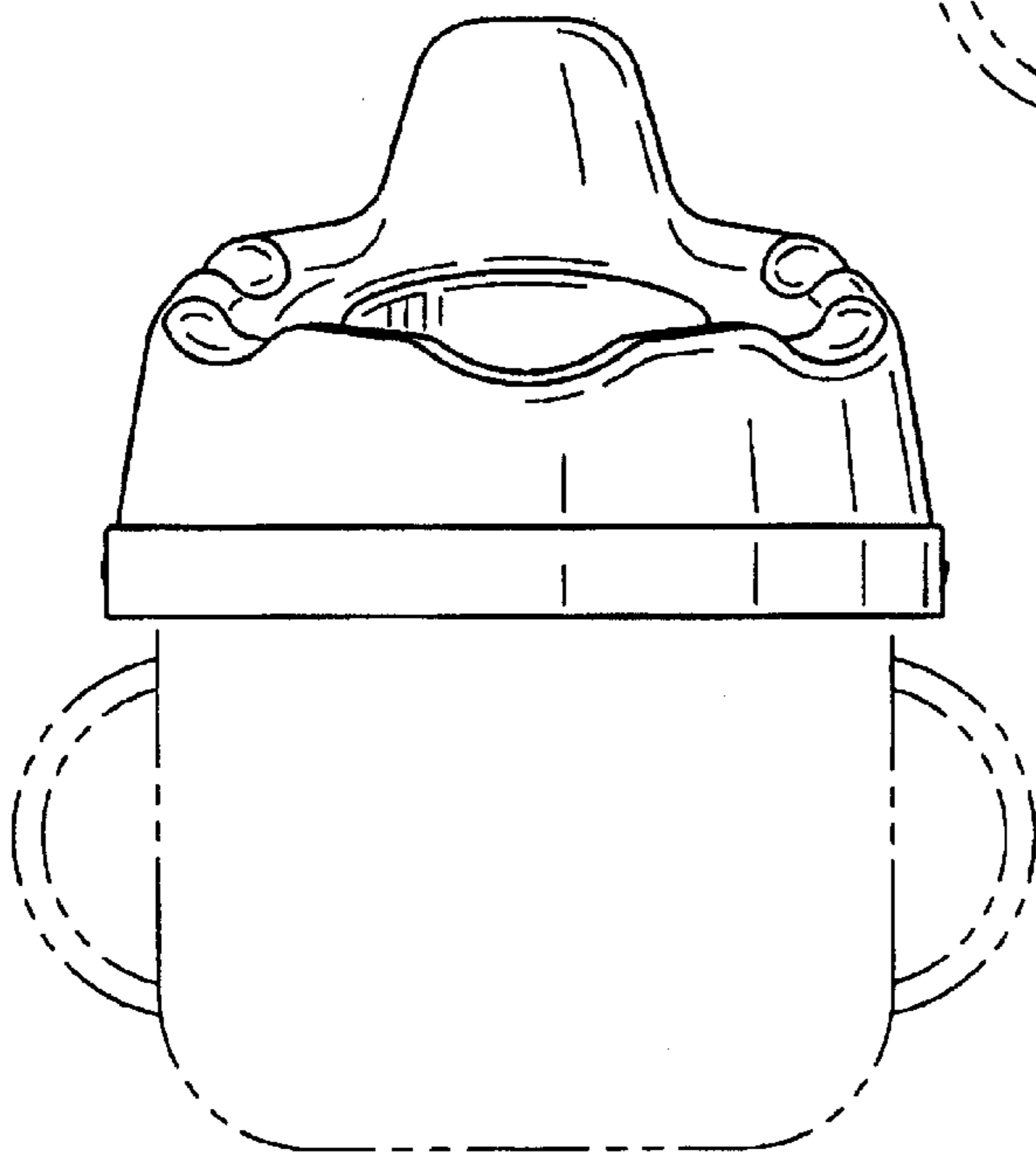


FIG. 3

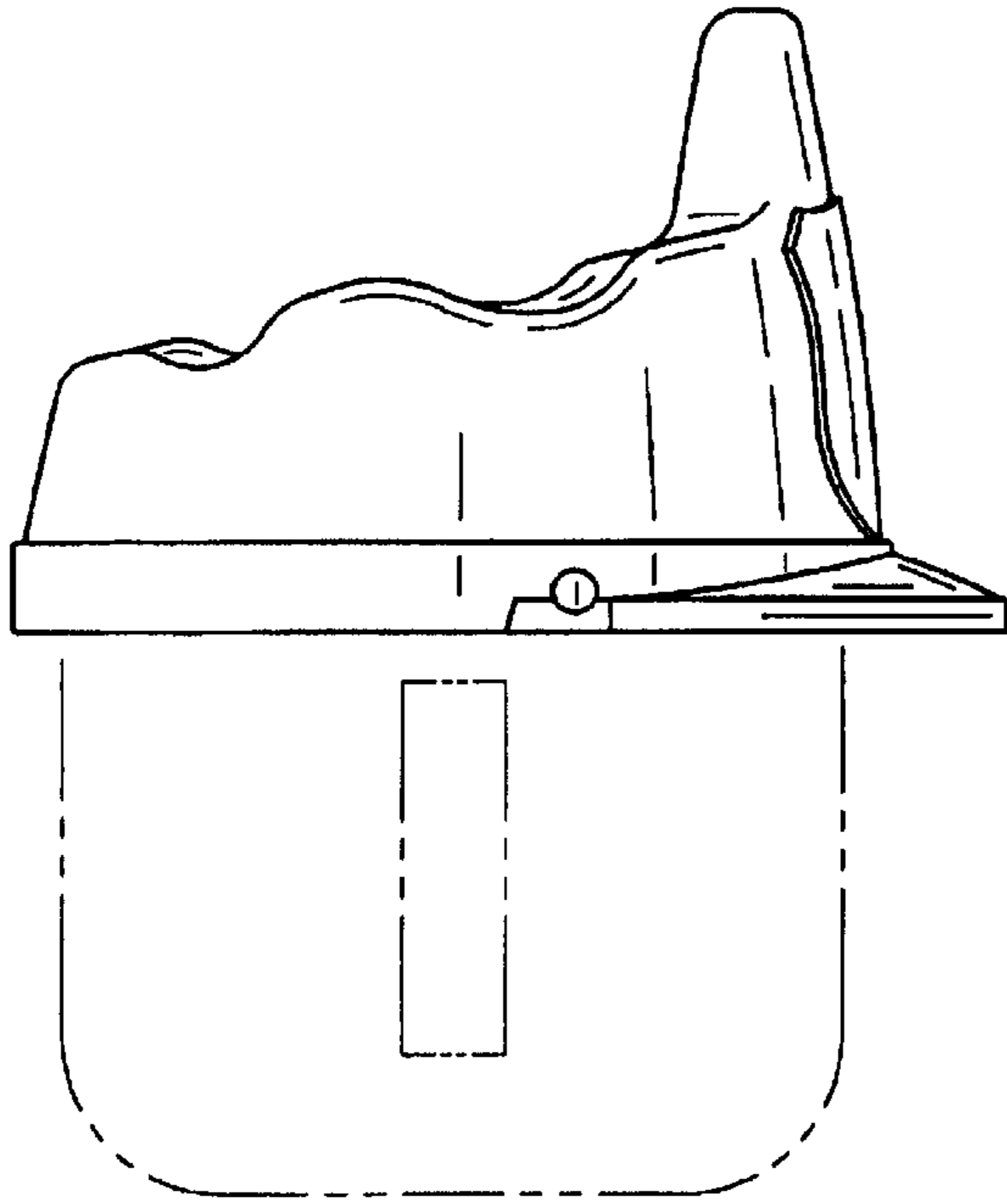


FIG. 4

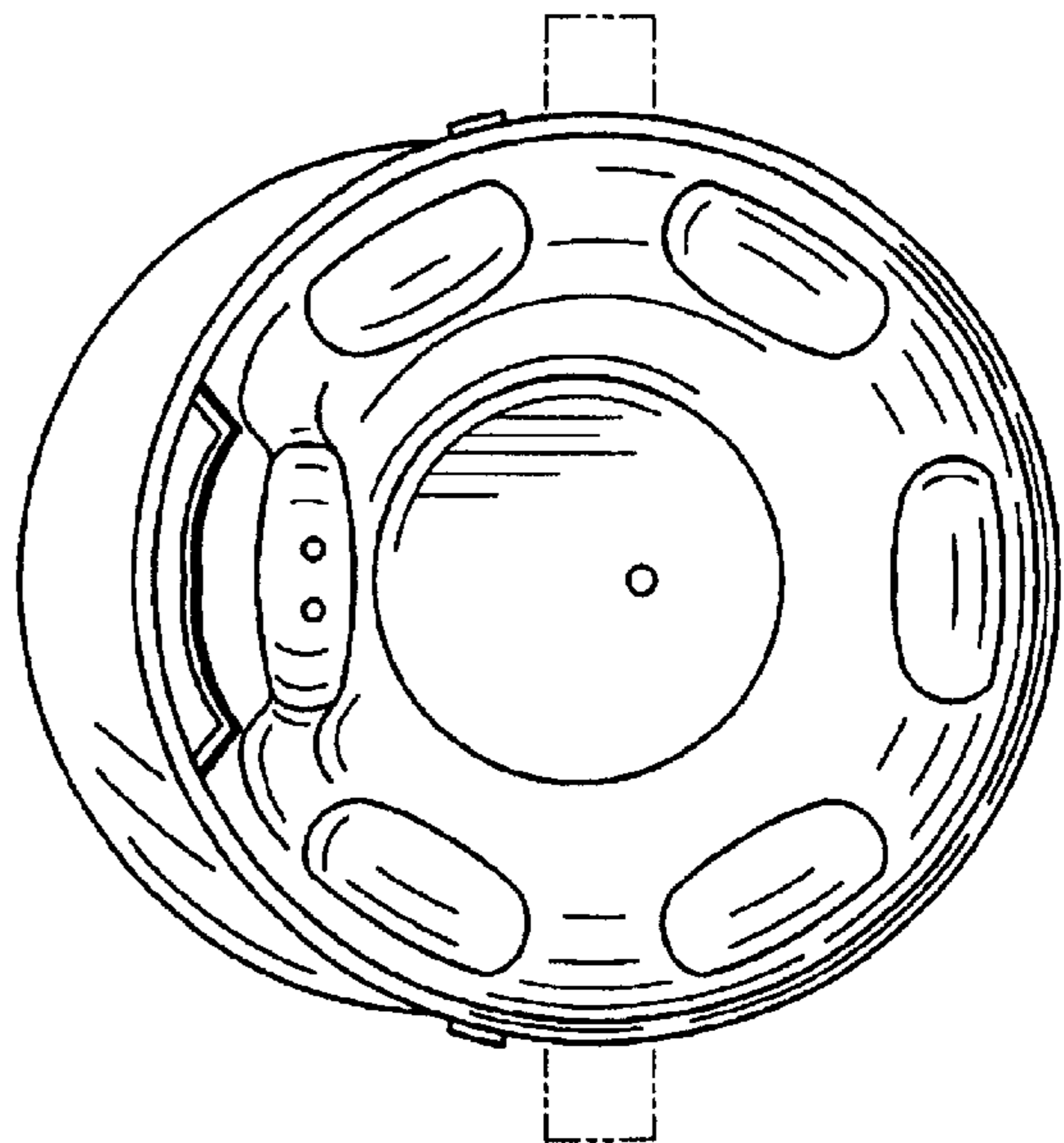


FIG. 5

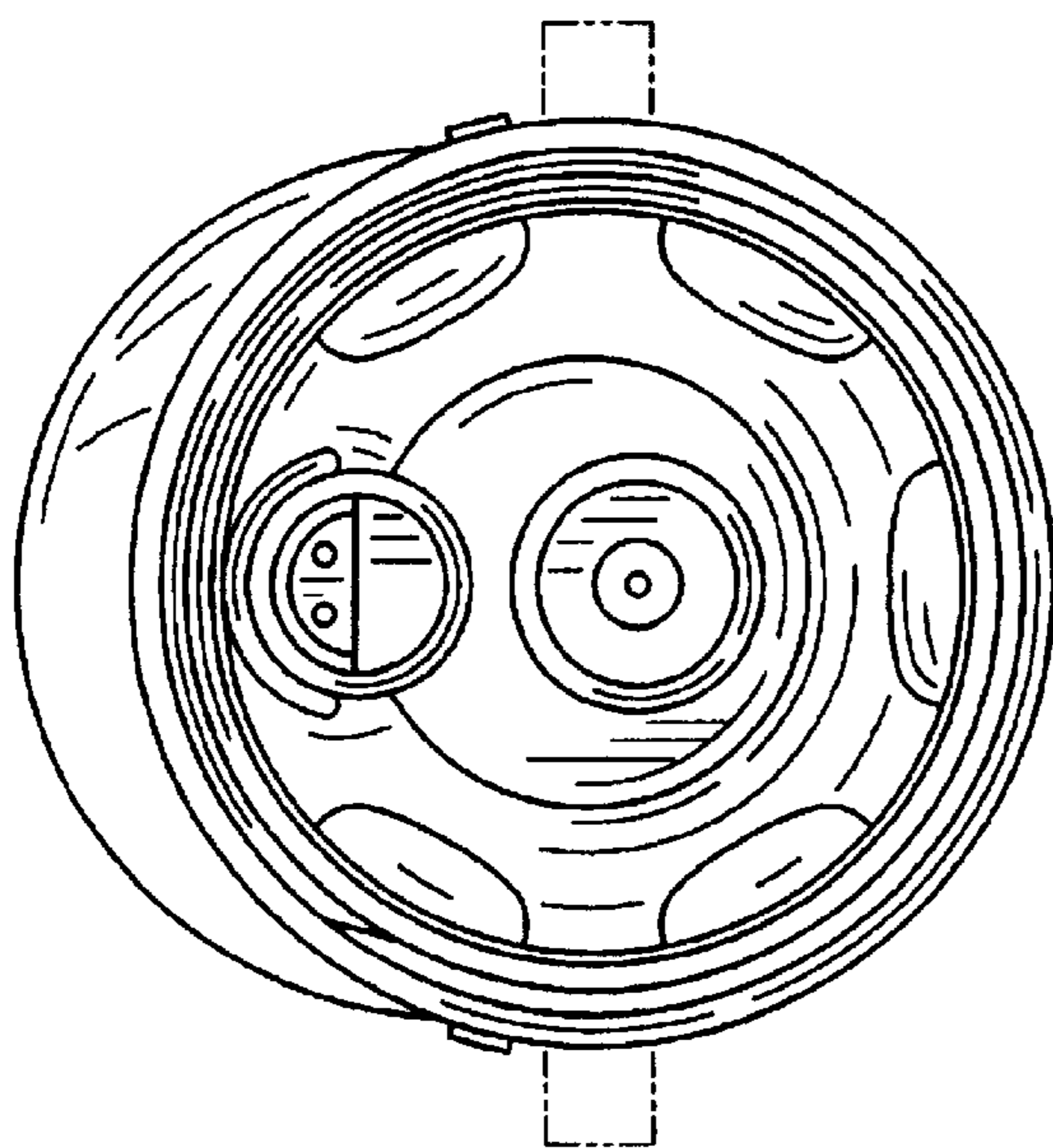


FIG. 6