



US00D484738S

(12) **United States Design Patent**
Wong

(10) **Patent No.:** **US D484,738 S**

(45) **Date of Patent:** **** Jan. 6, 2004**

(54) **MINCER**

(76) **Inventor:** **Yan Kwong Wong**, Unit 1016-17, 10th Floor Metro Centre II, 21 Lam Hing Street, Kowloon Bay, Kowloon (HK)

(**) **Term:** **14 Years**

(21) **Appl. No.:** **29/173,599**

(22) **Filed:** **Dec. 31, 2002**

(30) **Foreign Application Priority Data**

Jul. 31, 2002 (HK) 0211134

(51) **LOC (7) Cl.** **31-00**

(52) **U.S. Cl.** **D7/372**

(58) **Field of Search** D7/372, 373, 368, D7/376-384, 399; 241/37.5, 92, 93, 282.1, 282.2, 277; 99/337, 645

(56) **References Cited**

U.S. PATENT DOCUMENTS

1,032,258 A *	7/1912	Wefing	241/277
D260,351 S *	8/1981	Shun	D7/372
D361,694 S	8/1995	Wong	D7/384
D372,835 S *	8/1996	Leverrier	D7/372
D378,182 S	2/1997	Wong	D7/693
D391,802 S	3/1998	Wong	D7/378
D391,804 S	3/1998	Wong	D7/380
D393,576 S	4/1998	Wong	D7/678
D394,183 S *	5/1998	Arita et al.	D7/384
D395,194 S	6/1998	Wong	D7/384
D408,693 S	4/1999	Wong	D7/667
D414,983 S	10/1999	Wong	D7/381

D426,743 S	6/2000	Wong	D7/384
D426,744 S	6/2000	Wong	D7/384
D430,775 S	9/2000	Wong	D7/384
D433,594 S	11/2000	Wong	D7/384
D433,871 S	11/2000	Wong	D7/384
D446,691 S	8/2001	Wong	D7/673
D447,019 S	8/2001	Wong	D7/673
D447,022 S	8/2001	Wong	D7/678
D448,629 S	10/2001	Wong	D7/673
D449,766 S	10/2001	Wong	D7/698
D458,812 S	6/2002	Wong	D7/698
D465,137 S	11/2002	Wong	D7/693

* cited by examiner

Primary Examiner—Catherine R. Oliver
(74) *Attorney, Agent, or Firm*—Salter & Michaelson

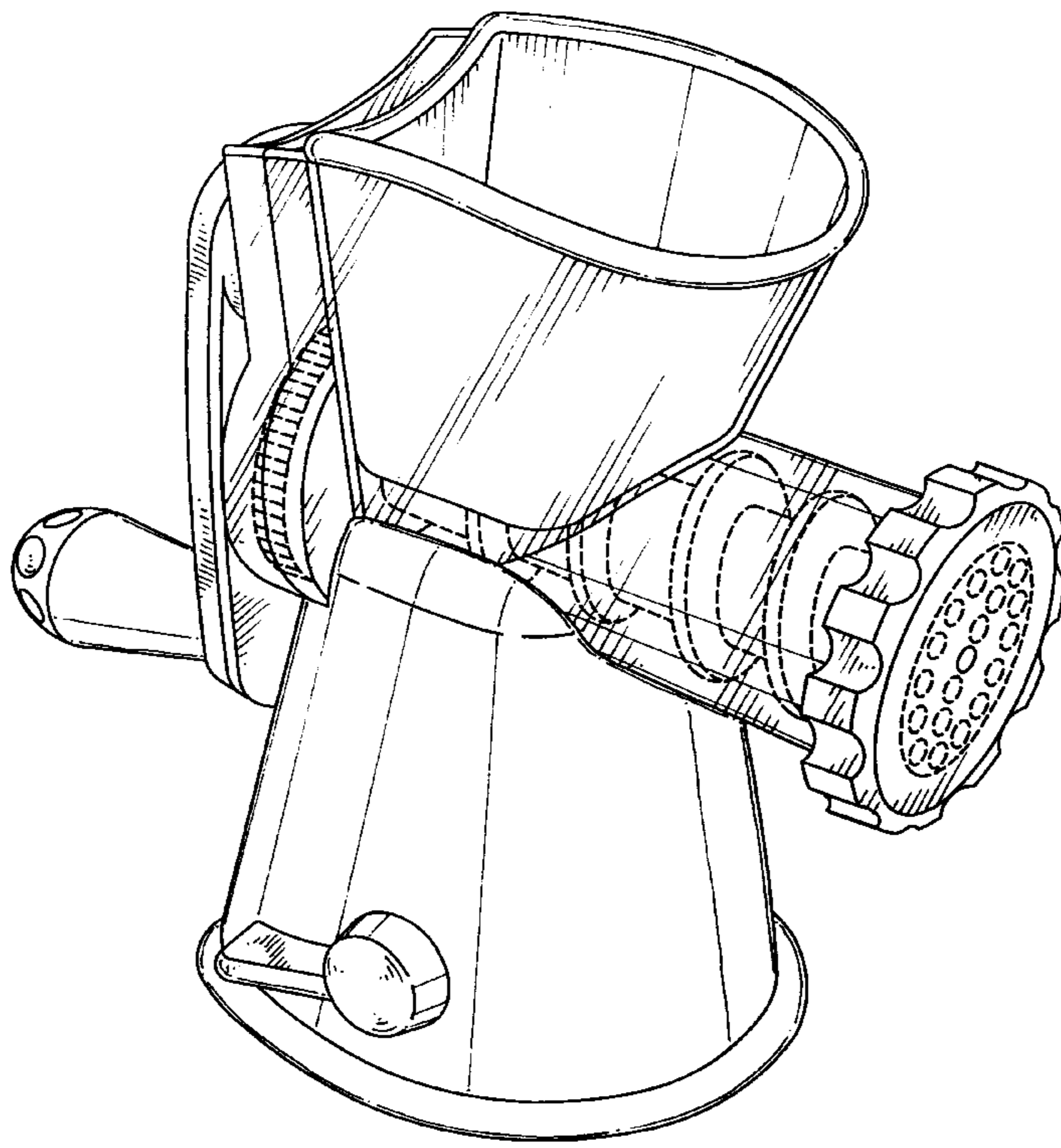
(57) **CLAIM**

The ornamental design for a mincer, as shown and described.

DESCRIPTION

FIG. 1 is an exploded view with the top removed of a mincer, showing my new design;
FIG. 2 is a perspective view of the mincer;
FIG. 3 is a left side elevational view thereof;
FIG. 4 is a right side elevational view thereof;
FIG. 5 is a front elevational view thereof;
FIG. 6 is a rear elevational view thereof;
FIG. 7 is a top plan view thereof; and,
FIG. 8 is a bottom plan view thereof.
The portions shown in broken lines are included for illustrative purposes only and form no part of the claimed design.

1 Claim, 6 Drawing Sheets



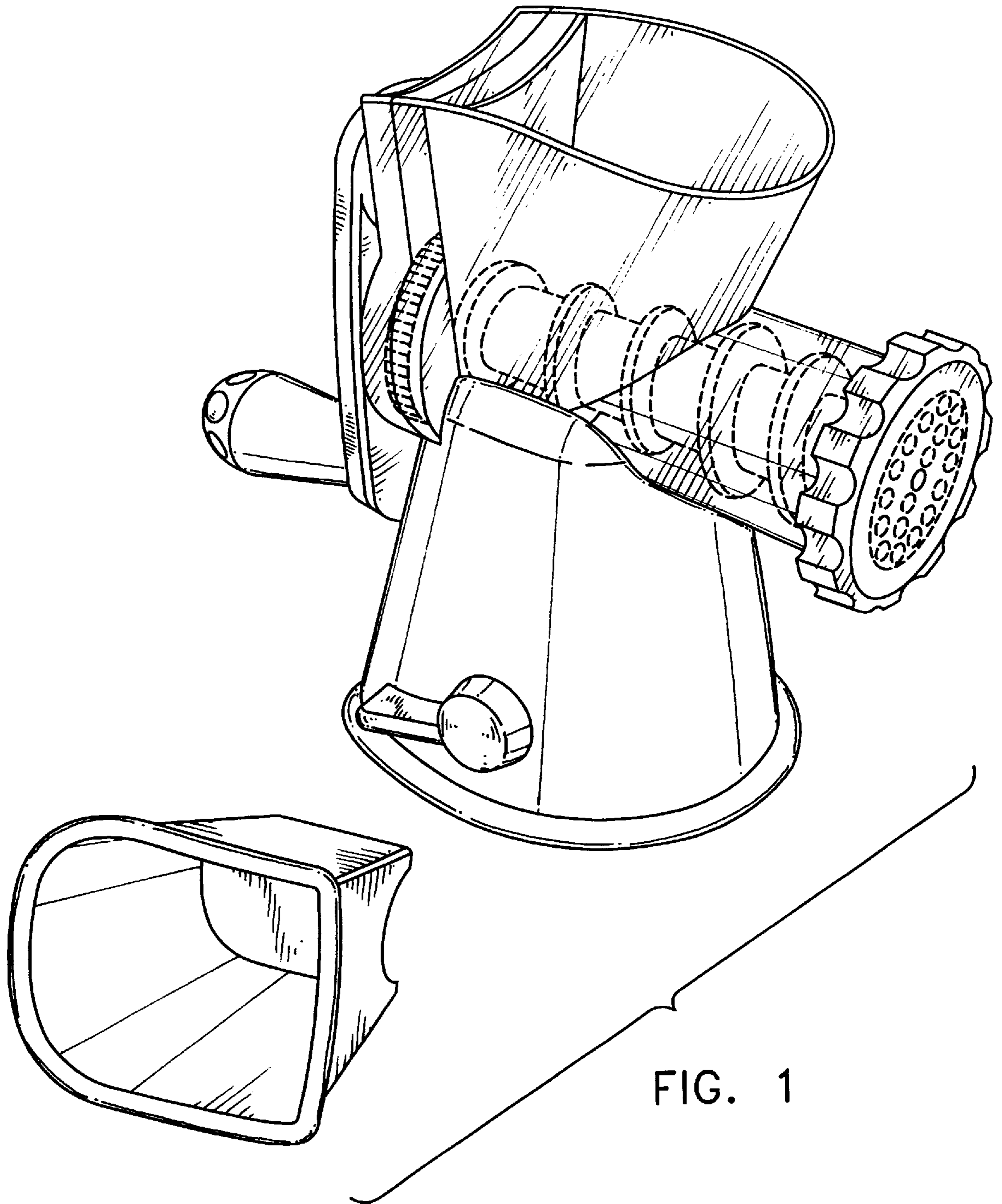


FIG. 1

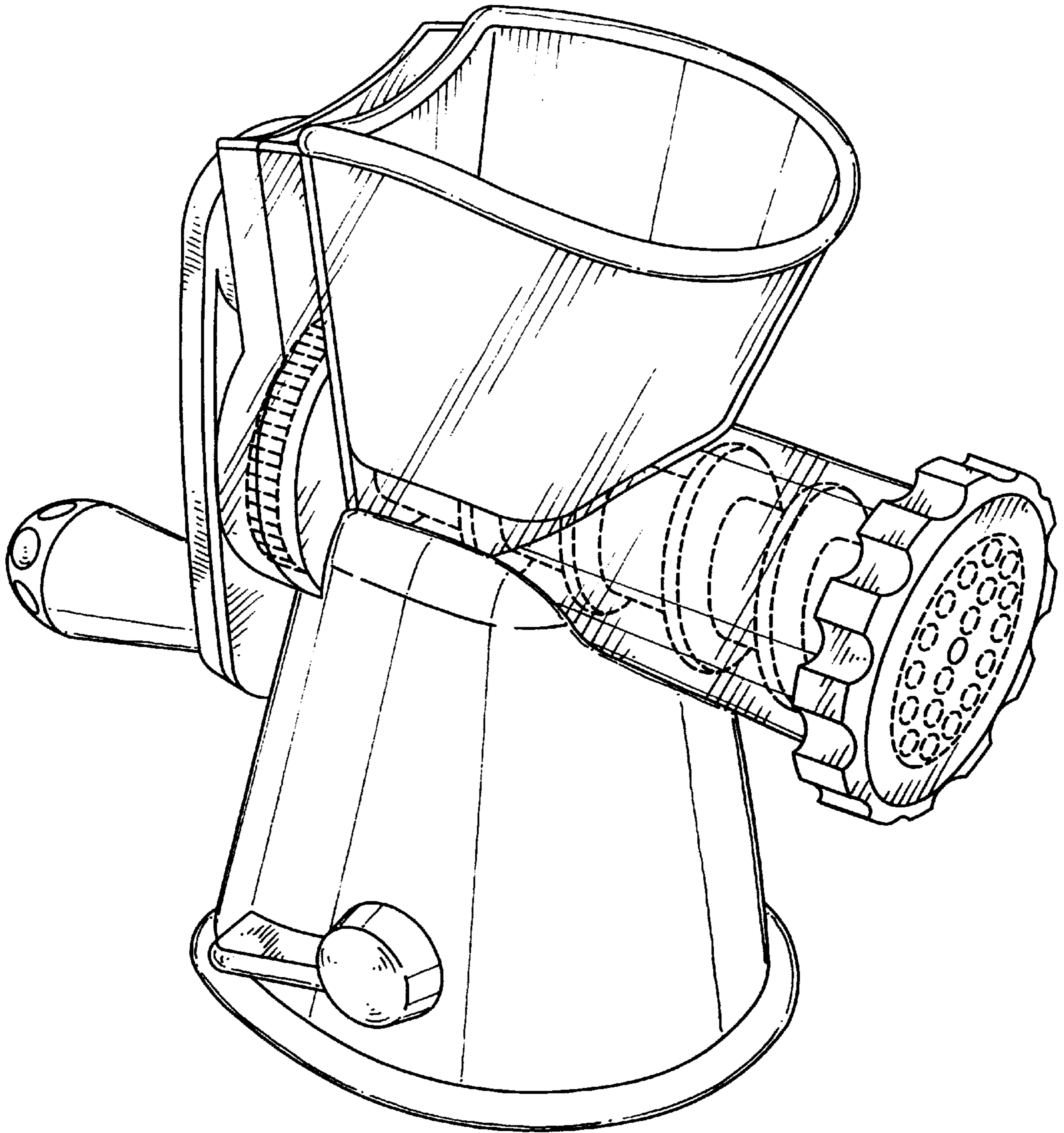


FIG. 2

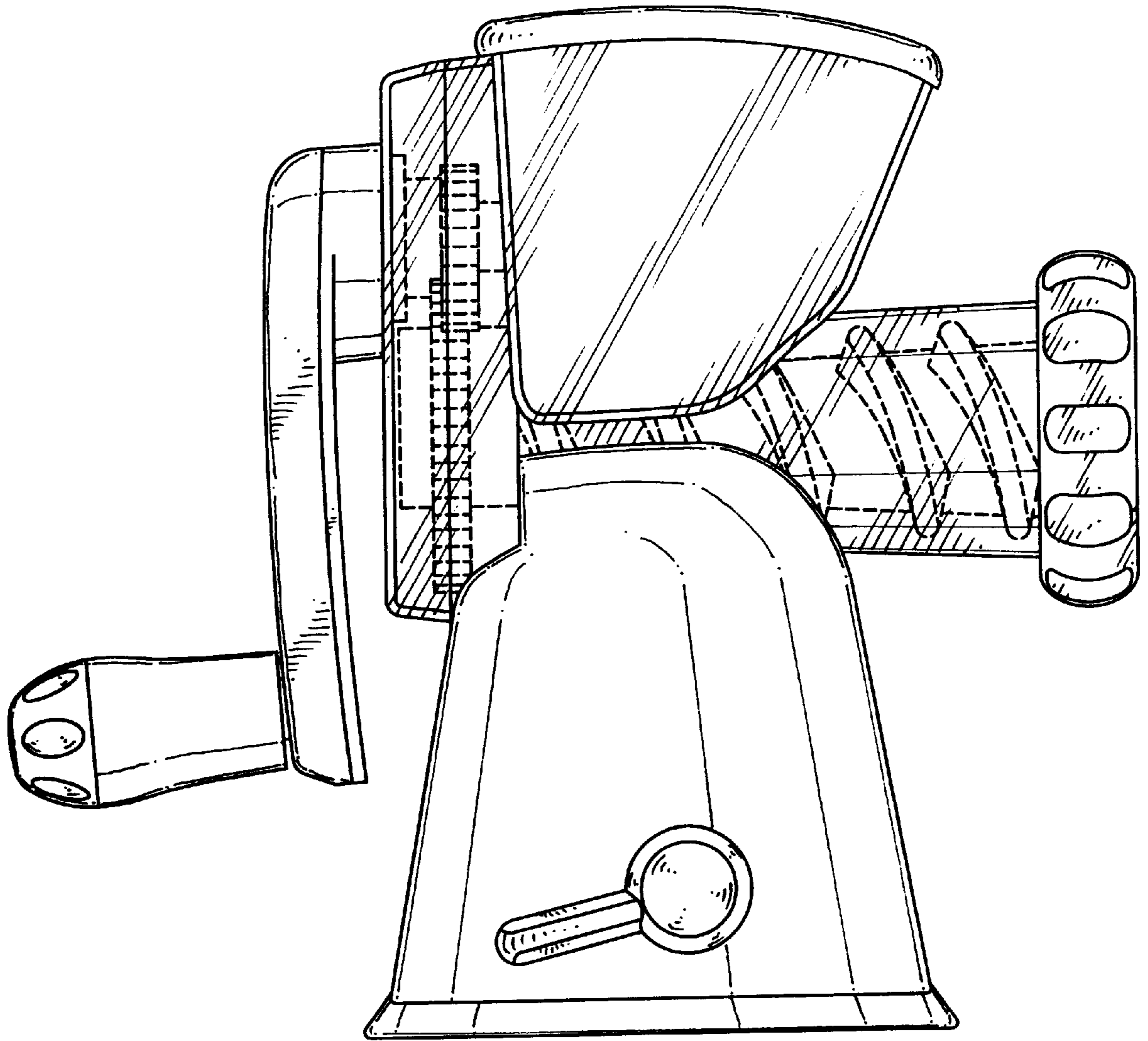


FIG. 3

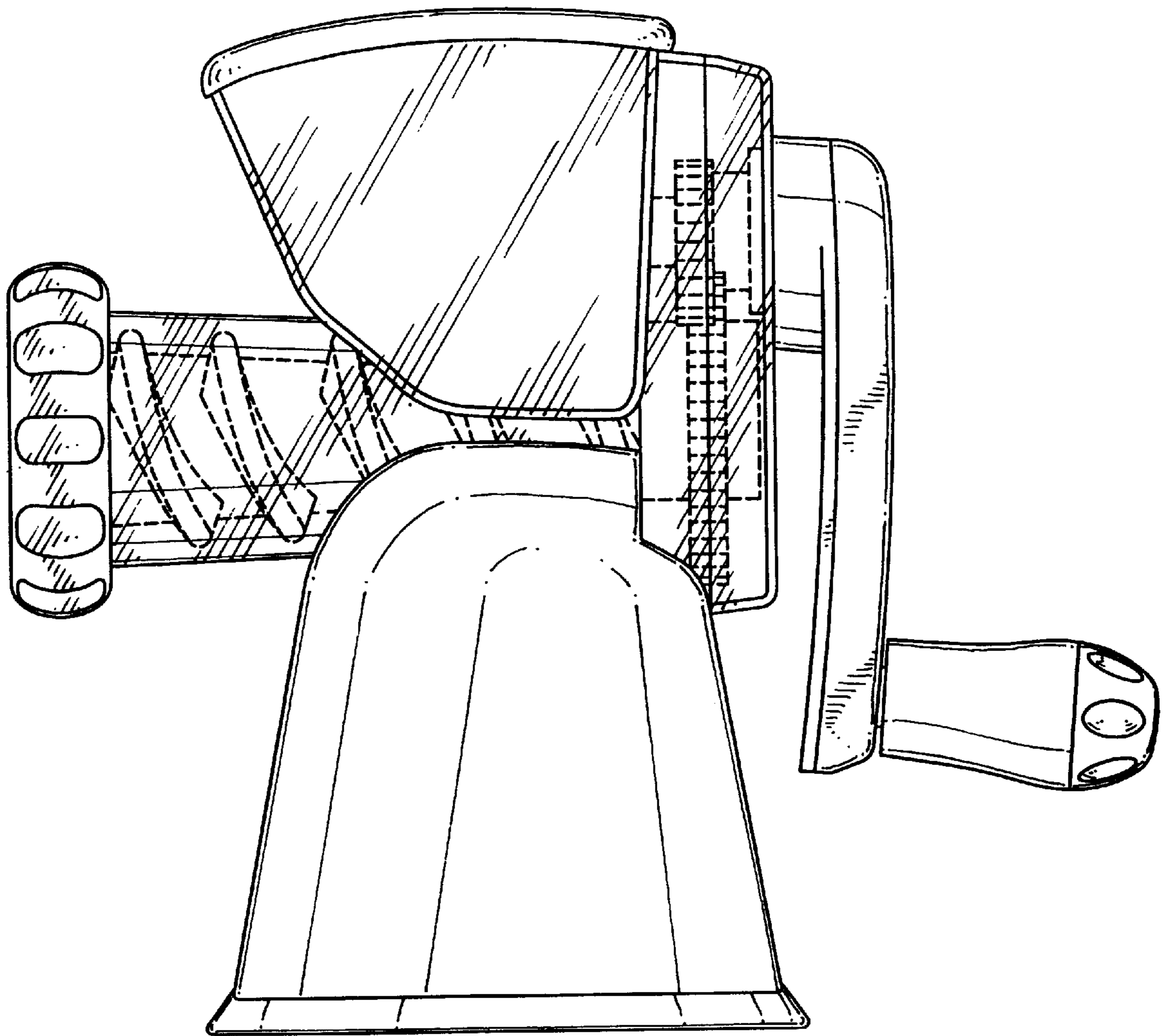


FIG. 4

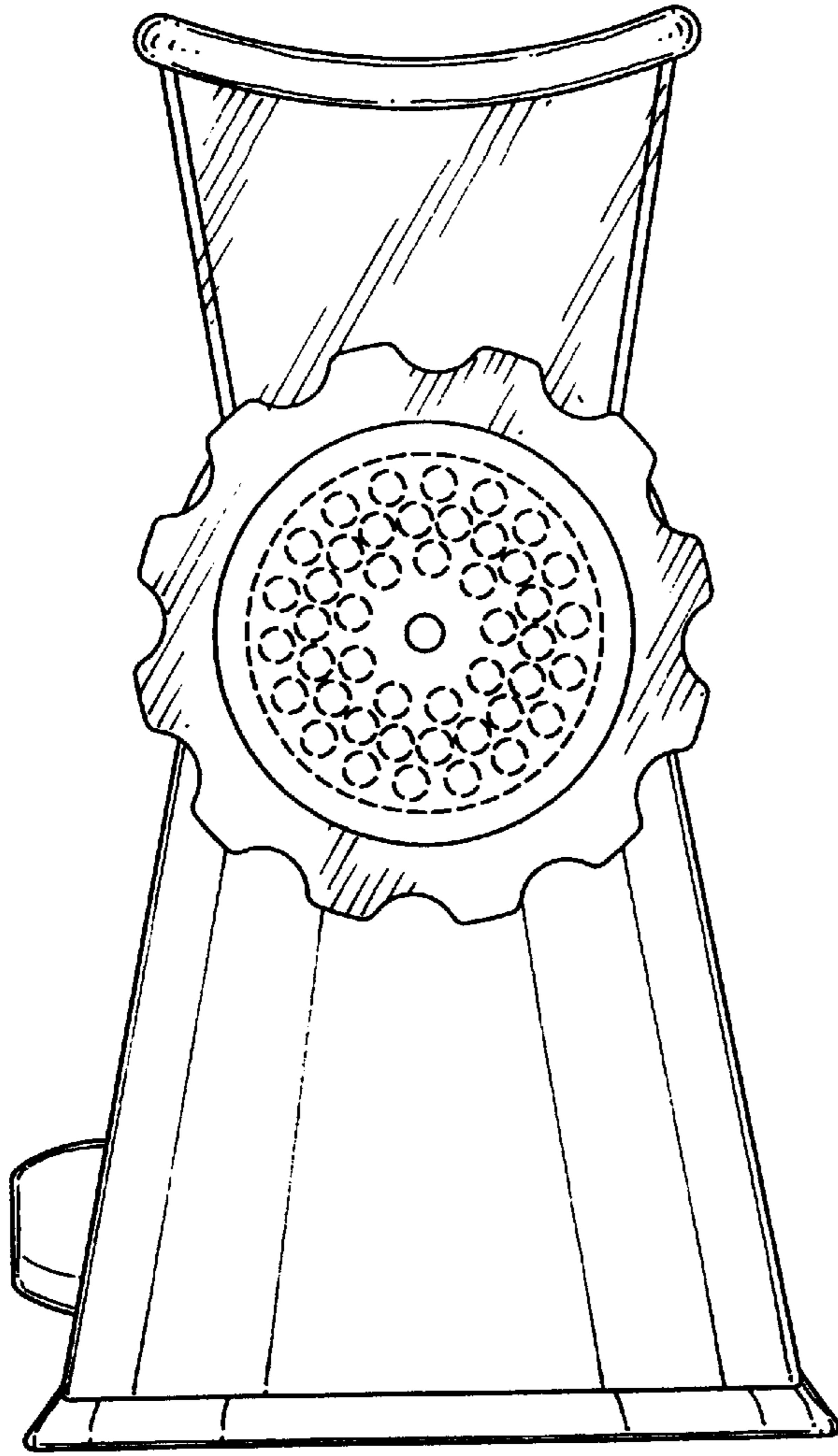


FIG. 5

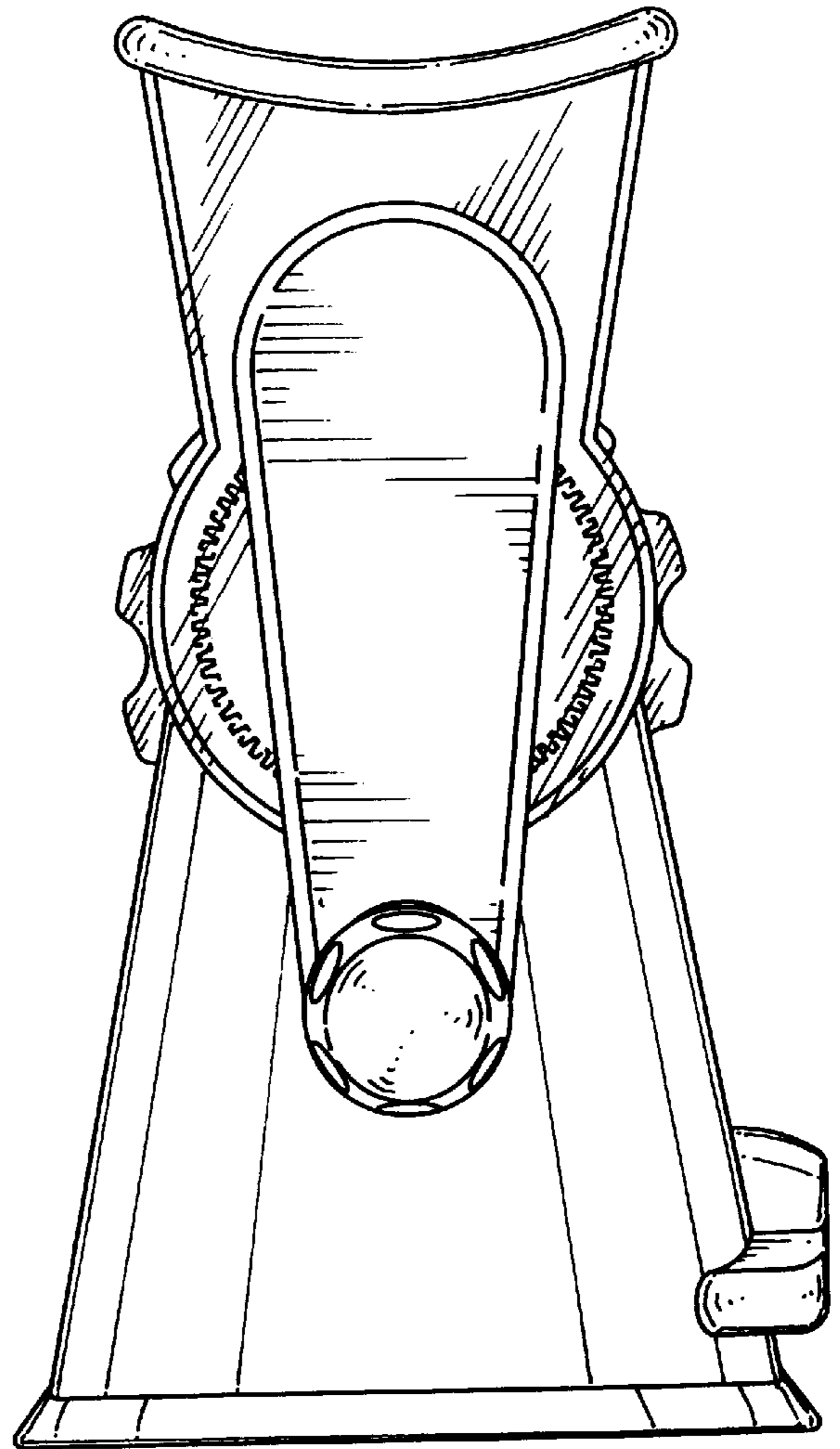


FIG. 6

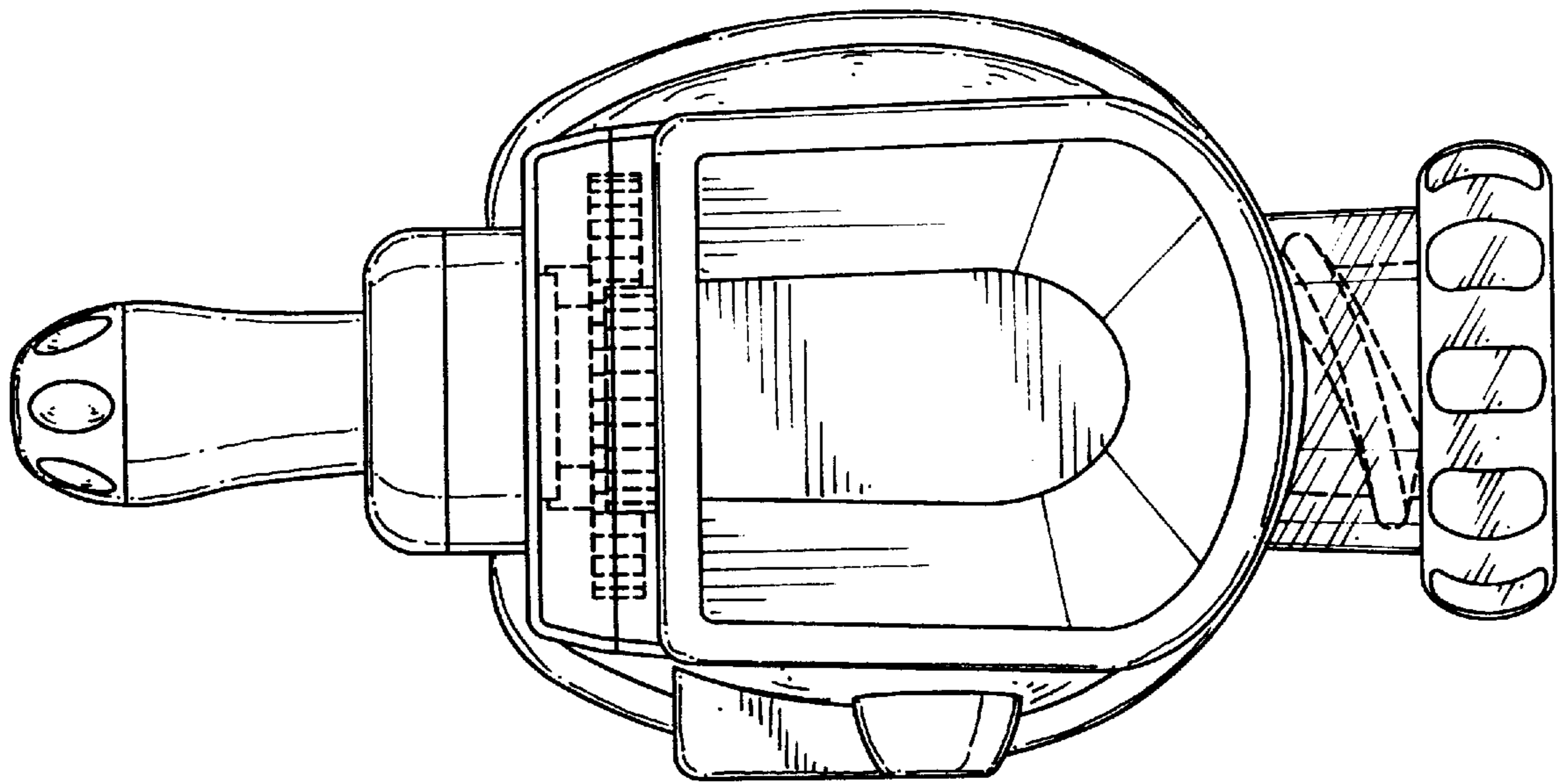


FIG. 7

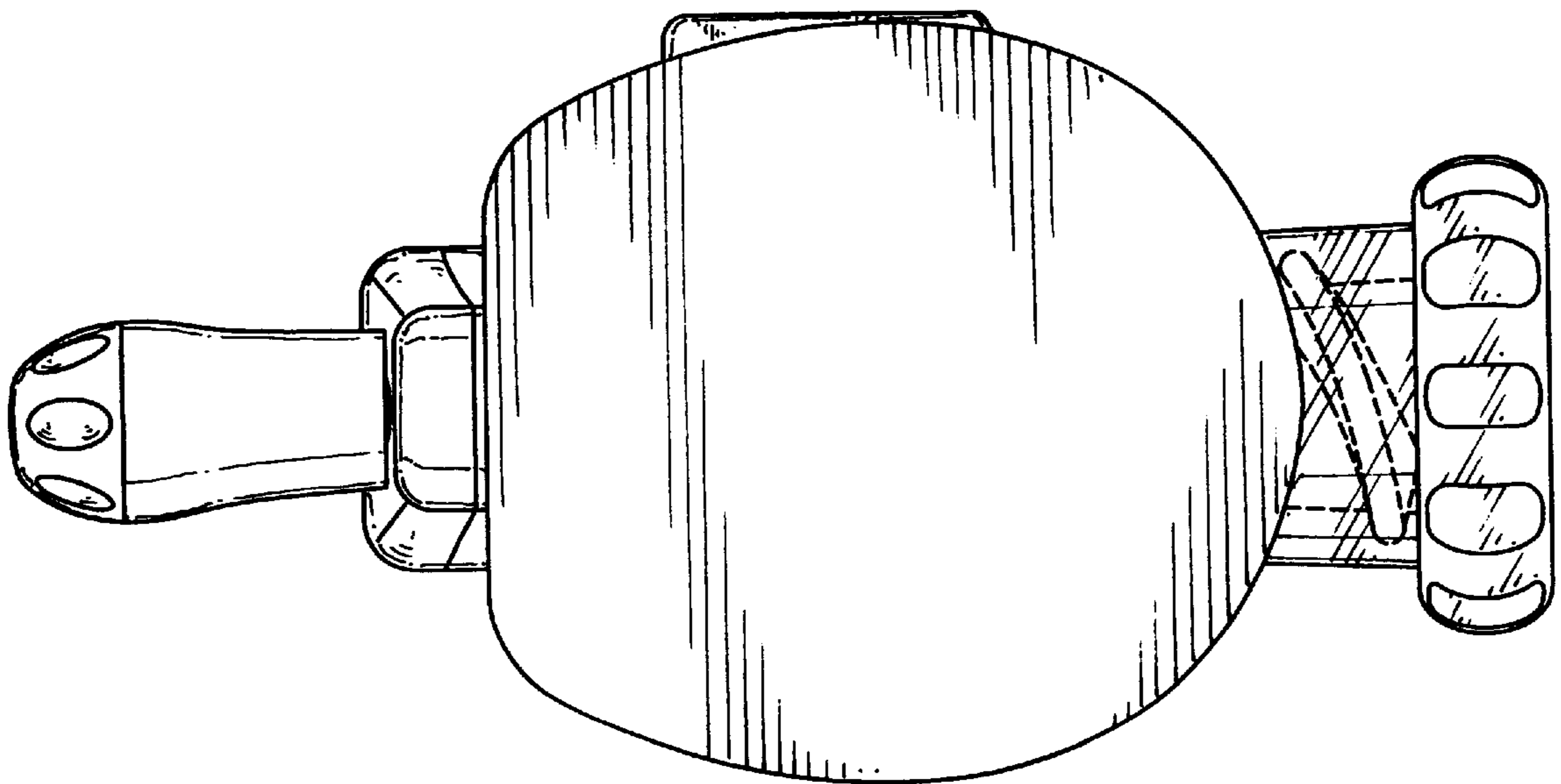


FIG. 8