



US00D484735S

(12) **United States Design Patent**
Lebowitz

(10) **Patent No.:** **US D484,735 S**
(45) **Date of Patent:** **** Jan. 6, 2004**

(54) **TEA KETTLE**

(75) **Inventor:** **Samuel Lebowitz**, Shelter Island, NY
(US)

(73) **Assignee:** **Wilton Industries, Inc.**, Woodridge, IL
(US)

(**) **Term:** **14 Years**

(21) **Appl. No.:** **29/175,995**

(22) **Filed:** **Feb. 14, 2003**

(51) **LOC (7) Cl.** **07-01**

(52) **U.S. Cl.** **D7/322**

(58) **Field of Search** D7/300, 312, 322,
D7/321, 320, 302; 222/472, 428, 482; 220/318,
912; 99/283

(56) **References Cited**

U.S. PATENT DOCUMENTS

D192,016 S	*	1/1962	Croheim	D7/322
D274,595 S	*	7/1984	Lebowitz	D7/322
D279,755 S	*	7/1985	Lax	D7/320
D282,810 S	*	3/1986	Urich	D7/322
D288,518 S	*	3/1987	Lebowitz	D7/322
D308,313 S	*	6/1990	Ancona et al.	D7/322
D336,006 S	*	6/1993	Lebowitz	D7/322
D336,013 S		6/1993	Lebowitz		

D338,799 S		8/1993	Lebowitz		
D342,640 S	*	12/1993	Lebowitz	D7/322
D352,419 S	*	11/1994	Lin	D7/322
D355,563 S	*	2/1995	Lebowitz	D7/322
D361,692 S	*	8/1995	Lee	D7/322
D364,991 S	*	12/1995	Lee	D7/322
5,490,616 A	*	2/1996	Stowell et al.	222/472
D380,337 S	*	7/1997	Lien	D7/322
D381,239 S	*	7/1997	Chen	D7/322
D407,943 S	*	4/1999	Chen	D7/322
D428,758 S	*	8/2000	Santiago et al.	D7/322
D435,386 S	*	12/2000	Ancona et al.	D7/322

* cited by examiner

Primary Examiner—M. N. Pandozzi

(74) *Attorney, Agent, or Firm*—Piper Rudnick LLP

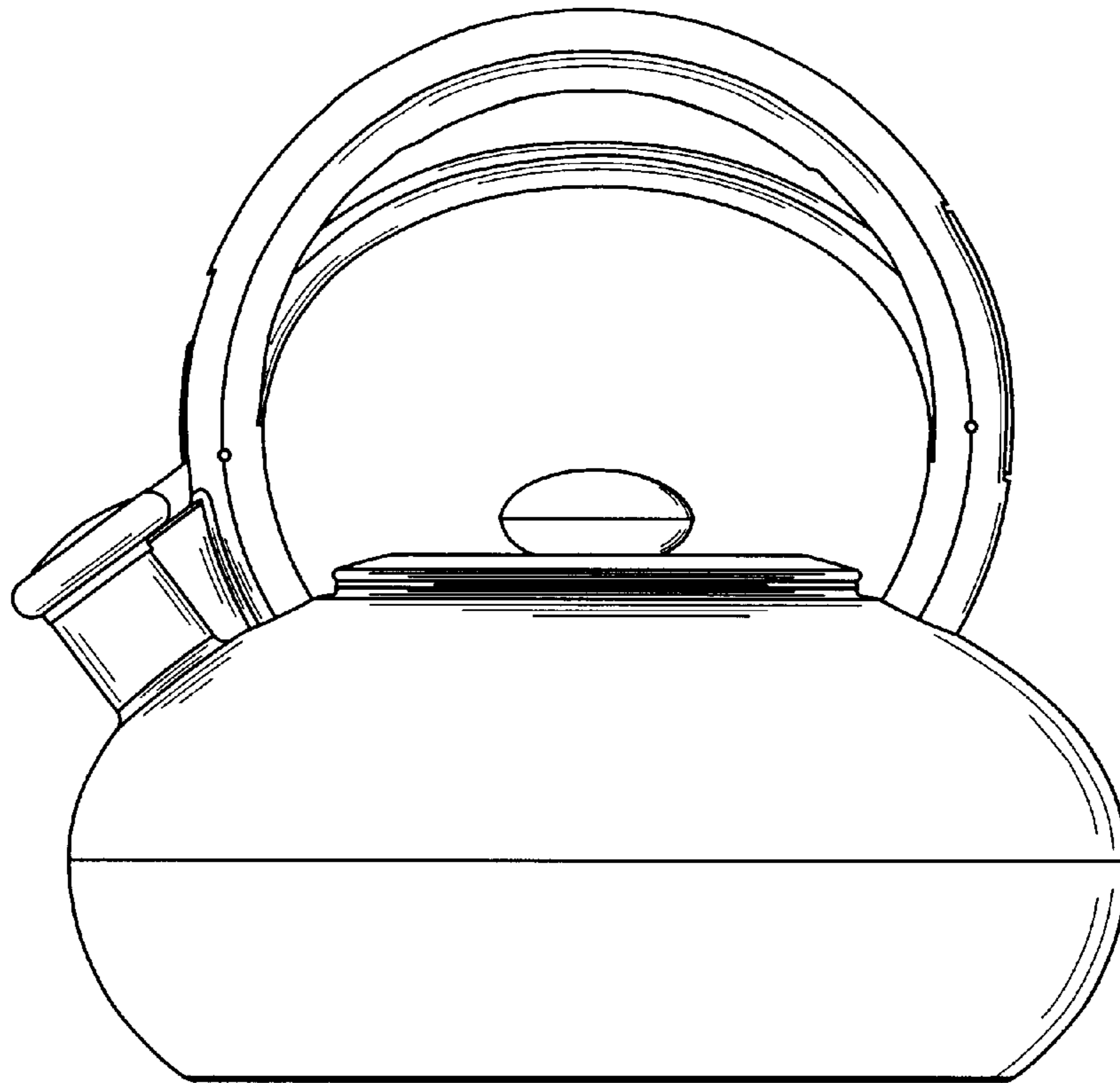
(57) **CLAIM**

The ornamental design for the tea kettle, as shown.

DESCRIPTION

FIG. 1 is a front perspective view of the tea kettle;
FIG. 2 is a front elevational view of the tea kettle;
FIG. 3 is a back elevational view of the tea kettle;
FIG. 4 is a right side elevational view of the tea kettle;
FIG. 5 is a left side elevational view of the tea kettle;
FIG. 6 is a top plan view of the tea kettle; and,
FIG. 7 is a bottom plan view of the tea kettle.

1 Claim, 4 Drawing Sheets



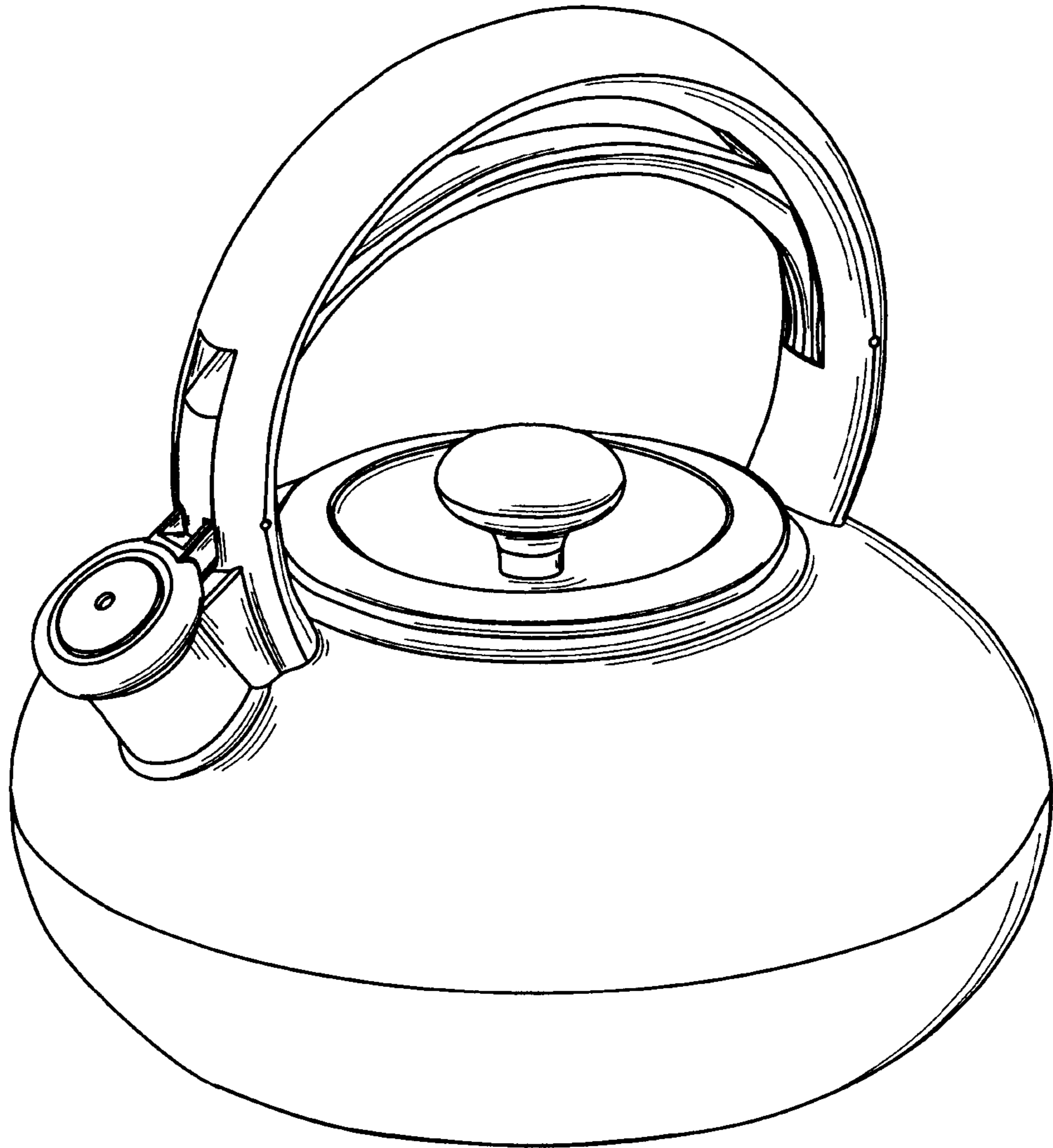


FIG. 1

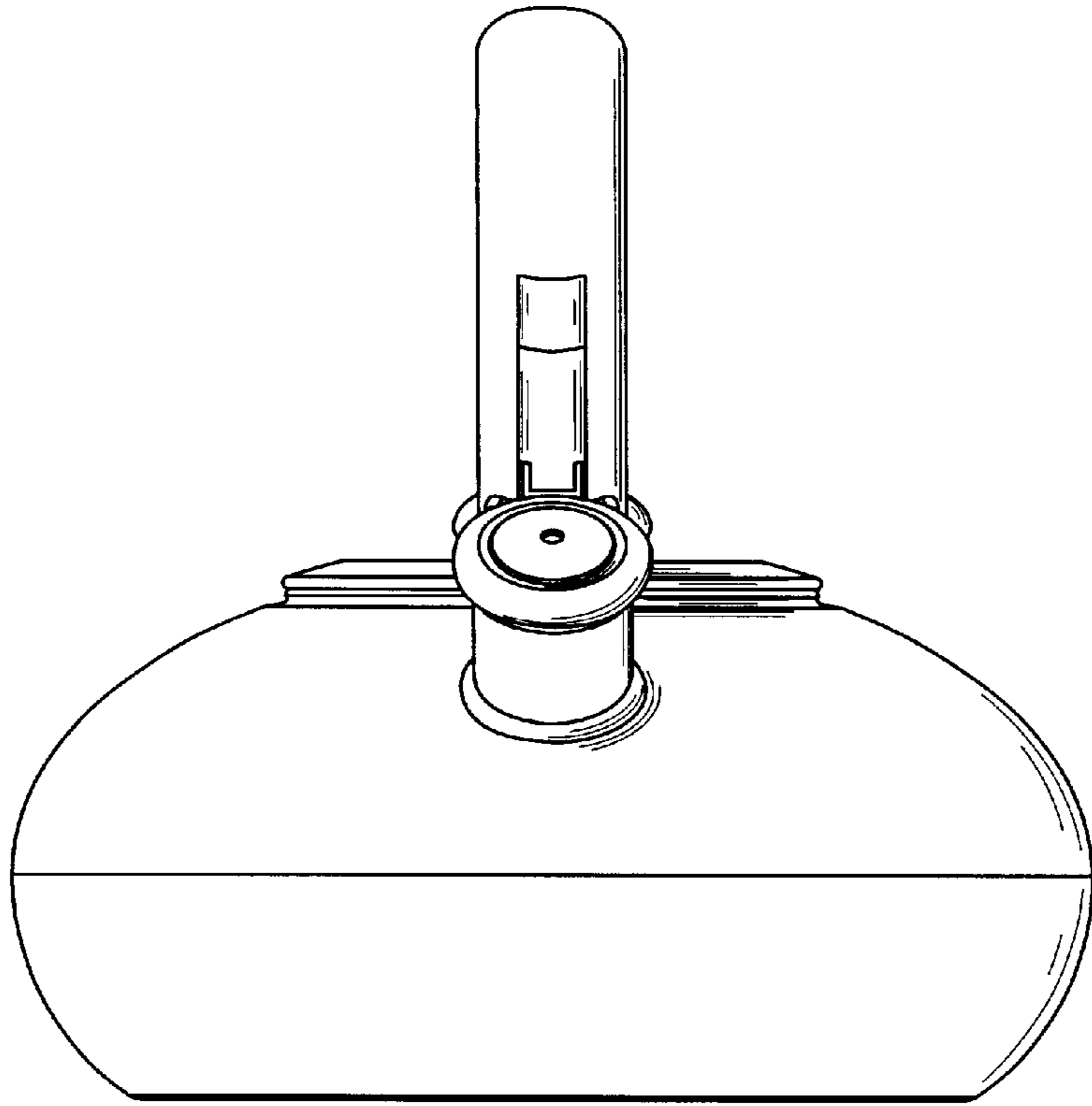


FIG. 2

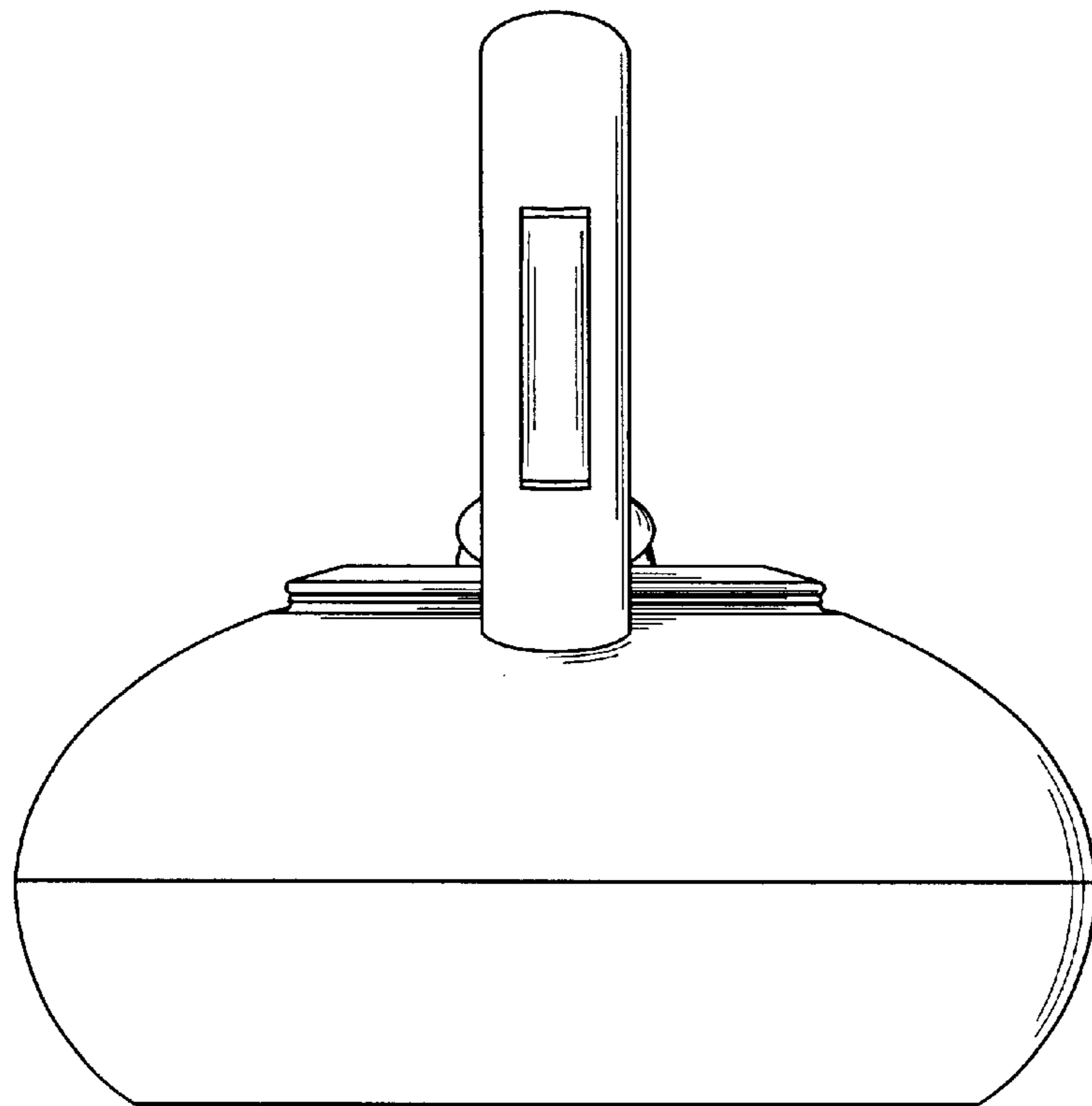


FIG. 3

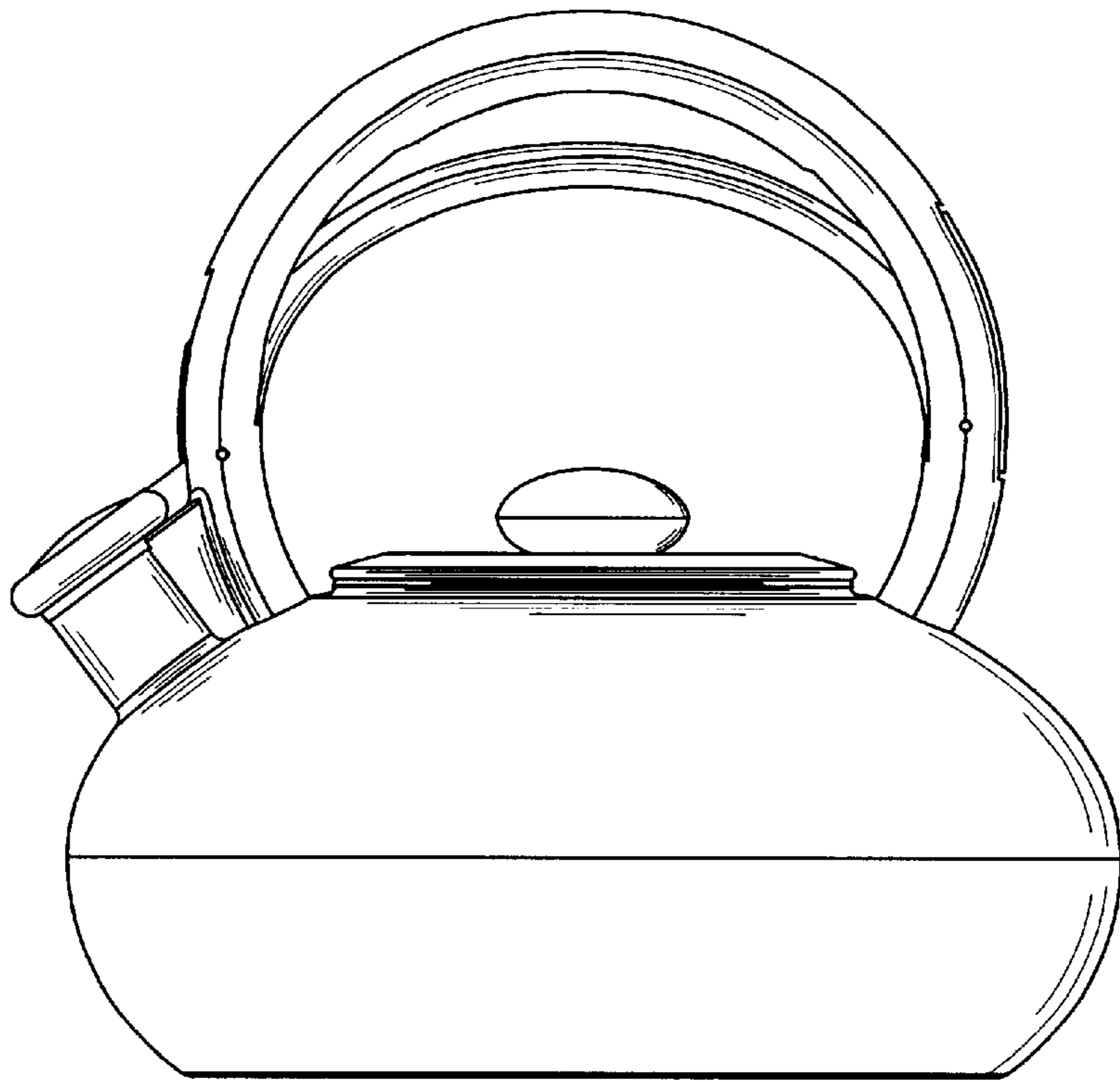


FIG. 4

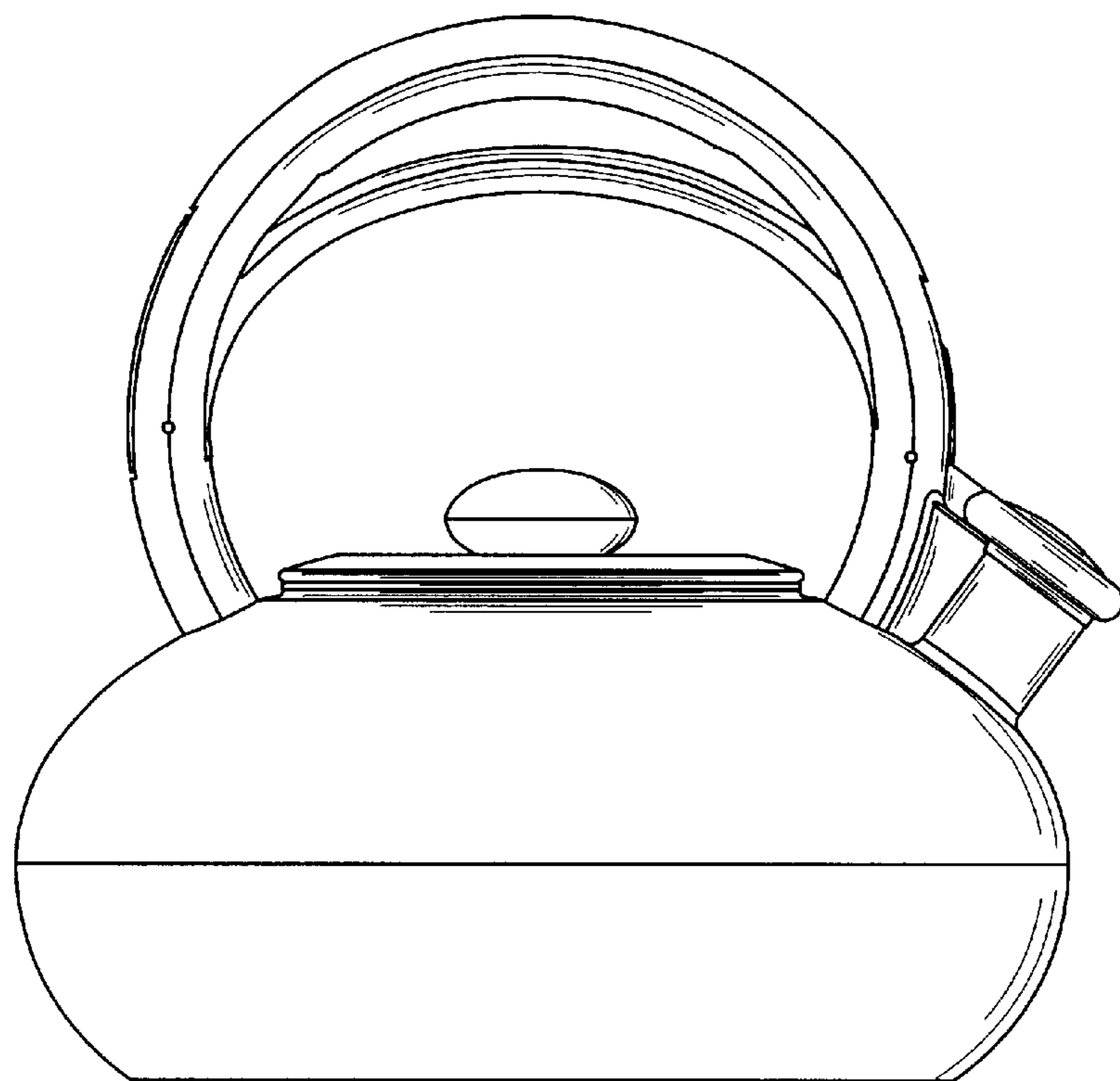


FIG. 5

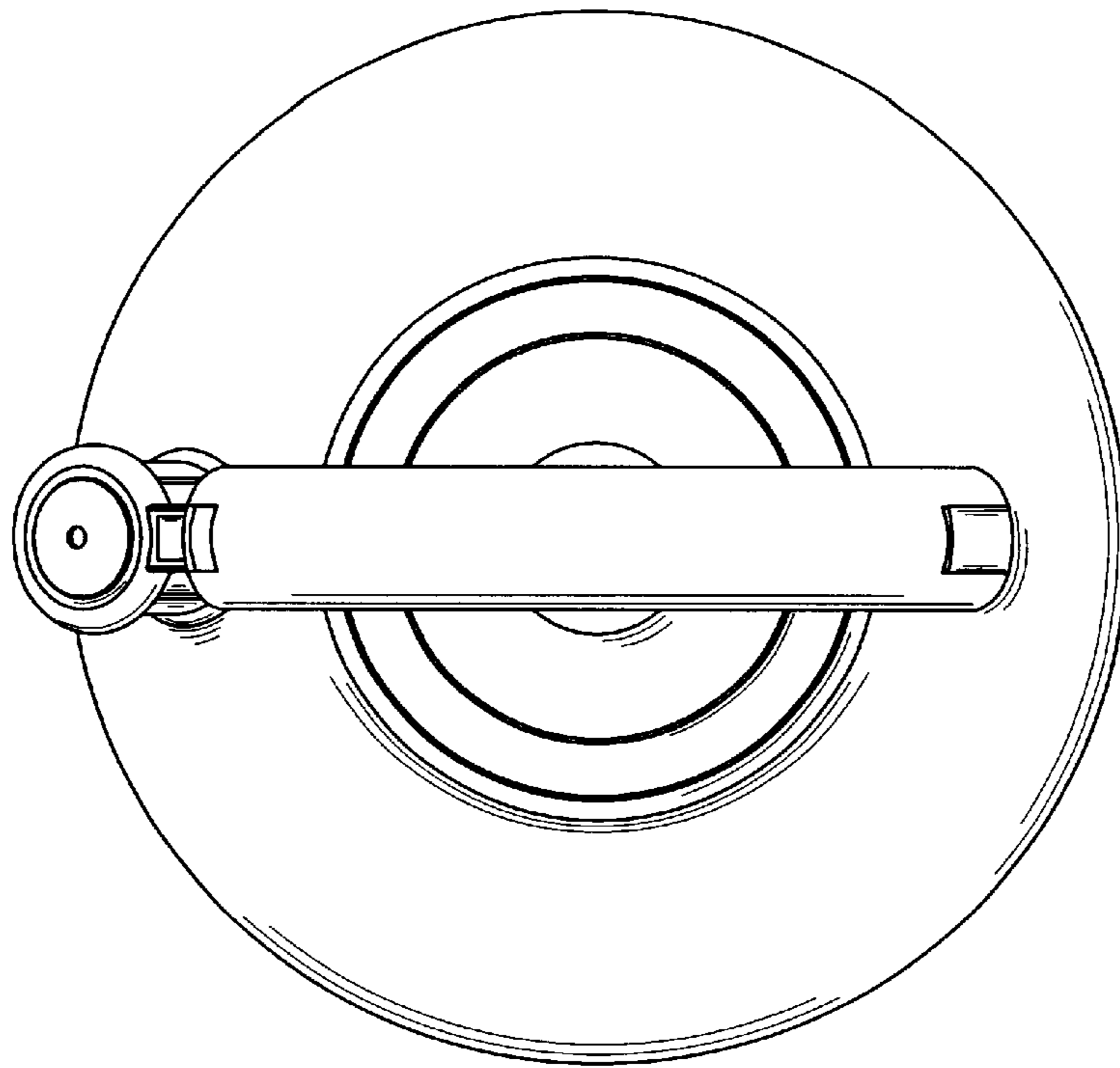


FIG. 6

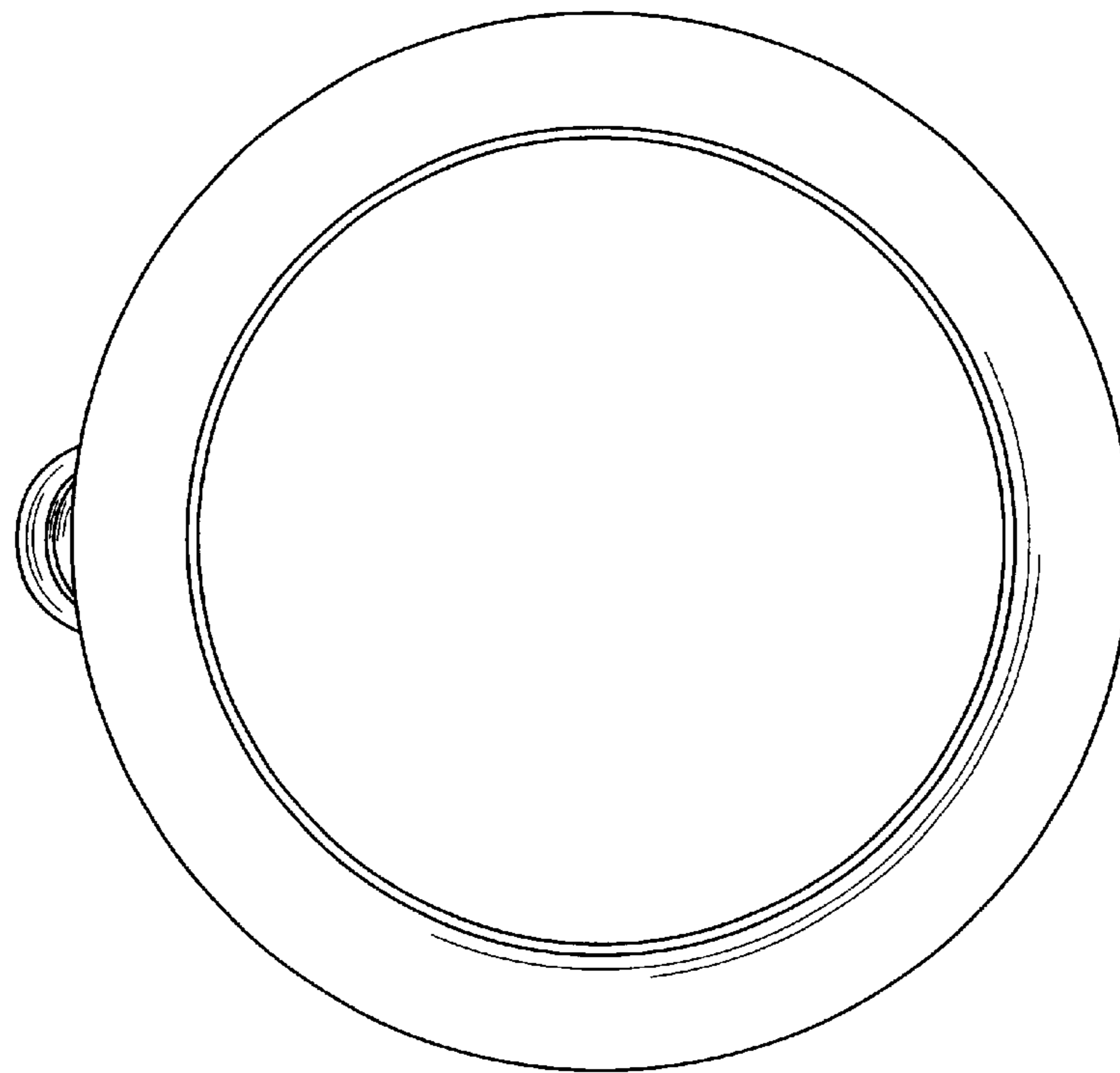


FIG. 7