



US00D484734S

(12) **United States Design Patent**  
**Drobeck**

(10) **Patent No.:** **US D484,734 S**

(45) **Date of Patent:** **\*\* Jan. 6, 2004**

(54) **COFFEE BREWER**

(75) **Inventor:** **R. Gregory Drobeck**, Columbus, OH  
(US)

(73) **Assignee:** **Oasis Corporation**, Columbus, OH  
(US)

(\*\*) **Term:** **14 Years**

(21) **Appl. No.:** **29/168,789**

(22) **Filed:** **Oct. 8, 2002**

(51) **LOC (7) Cl.** ..... **07-01**

(52) **U.S. Cl.** ..... **D7/309; D7/310; D7/311**

(58) **Field of Search** ..... **D7/300, 301, 310,**  
**D7/311; 97/305, 306, 285, 289 R, 280;**  
**222/169, 108, 129.1-129.4**

(56) **References Cited**

**U.S. PATENT DOCUMENTS**

D239,758 S	*	5/1976	Claxton et al.	.....	D7/309
D243,058 S	*	1/1977	Painter	.....	D7/309
D243,737 S	*	3/1977	Painter	.....	D7/309
D244,824 S	*	6/1977	Bluestein	.....	D7/309
D253,987 S	*	1/1980	Painter	.....	D7/309
D317,546 S	*	6/1991	Rakocy et al.	.....	D7/309
D326,386 S	*	5/1992	Rakocy et al.	.....	D7/309
D345,484 S	*	3/1994	Mason	.....	D7/309
D360,333 S	*	7/1995	Wai	.....	D7/309

D439,103 S	*	3/2001	Cruz	.....	D7/309
D446,989 S	*	8/2001	Cruz	.....	D7/309
D454,023 S	*	3/2002	Wang	.....	D7/309
D477,175 S	*	7/2003	Smith	.....	D7/309

\* cited by examiner

*Primary Examiner*—M. N. Pandozzi

(74) *Attorney, Agent, or Firm*—Kelly Bauersfeld Lowry & Kelley, LLP

(57) **CLAIM**

The ornamental design for a coffee brewer, as shown.

**DESCRIPTION**

FIG. 1 is a perspective view showing the top, front, and right sides of a coffee brewer according to the new design;

FIG. 2 is a perspective view showing the front and top sides thereof;

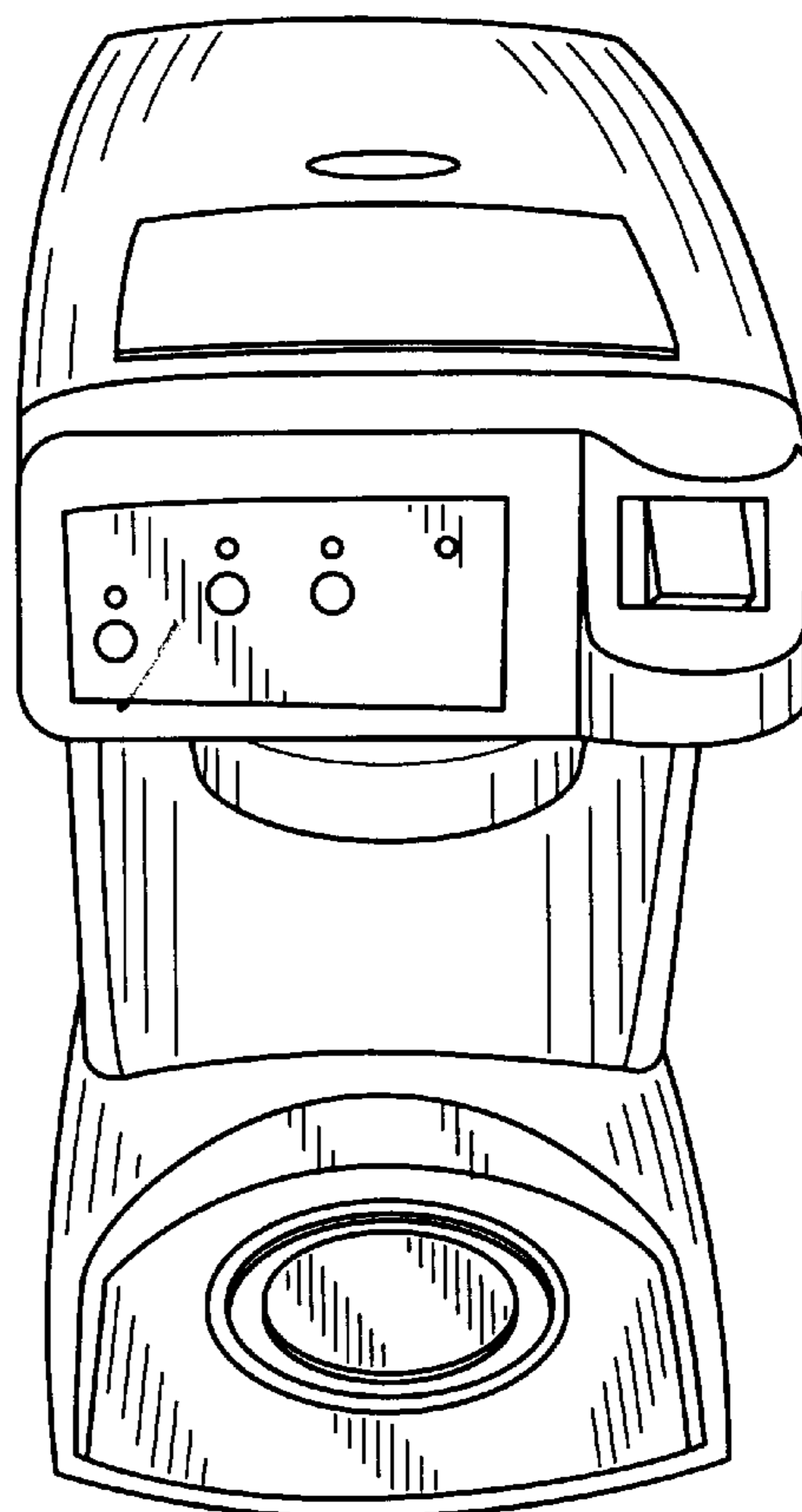
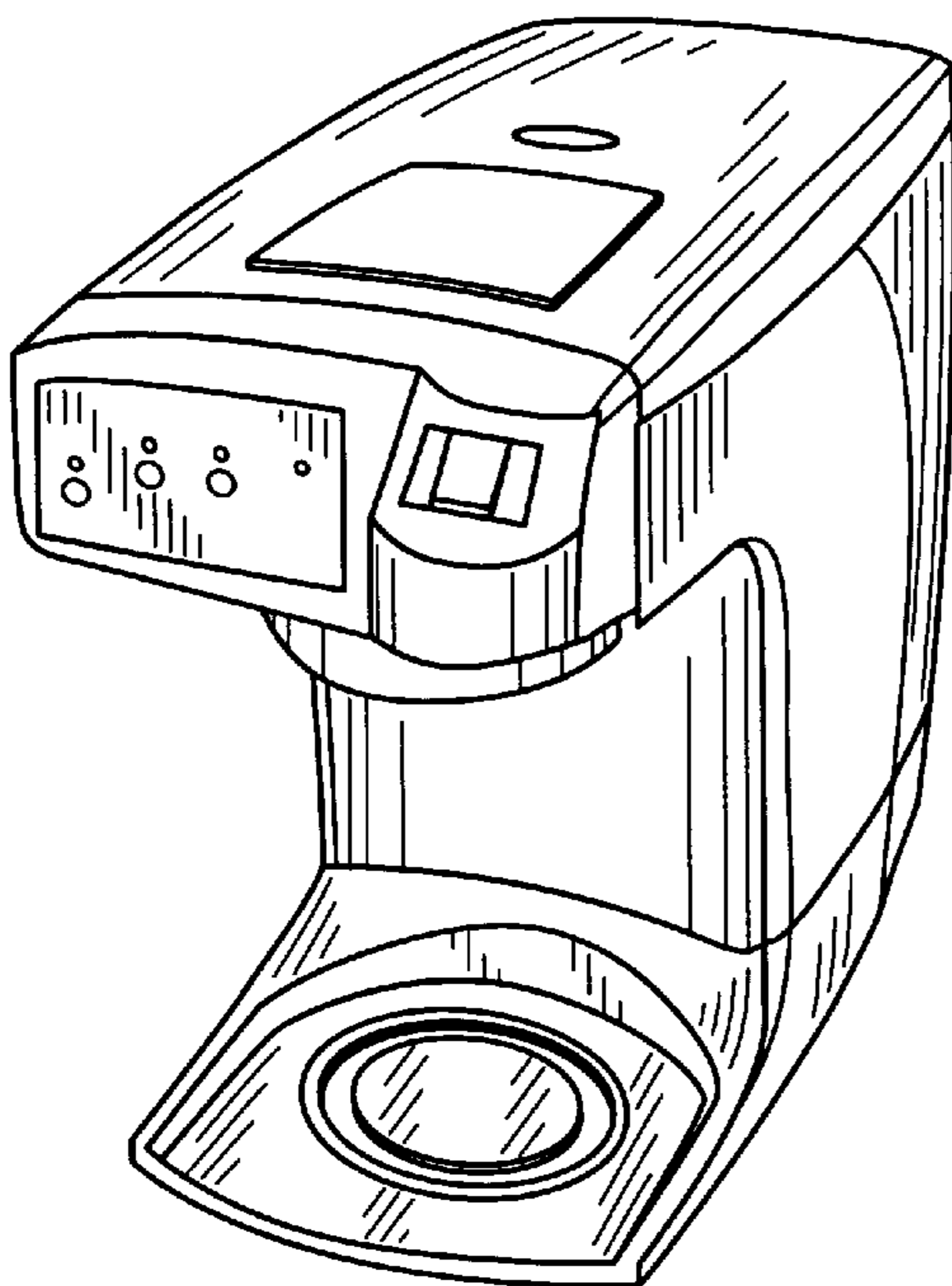
FIG. 3 is a perspective view showing the right and top sides thereof;

FIG. 4 is a perspective view showing the left and top sides thereof;

FIG. 5 is a perspective view showing the rear and top sides thereof; and,

FIG. 6 is a perspective view showing the front and right sides thereof, and an underside of an upper portion thereof. The bottom plan view is plain and unornamented.

**1 Claim, 3 Drawing Sheets**



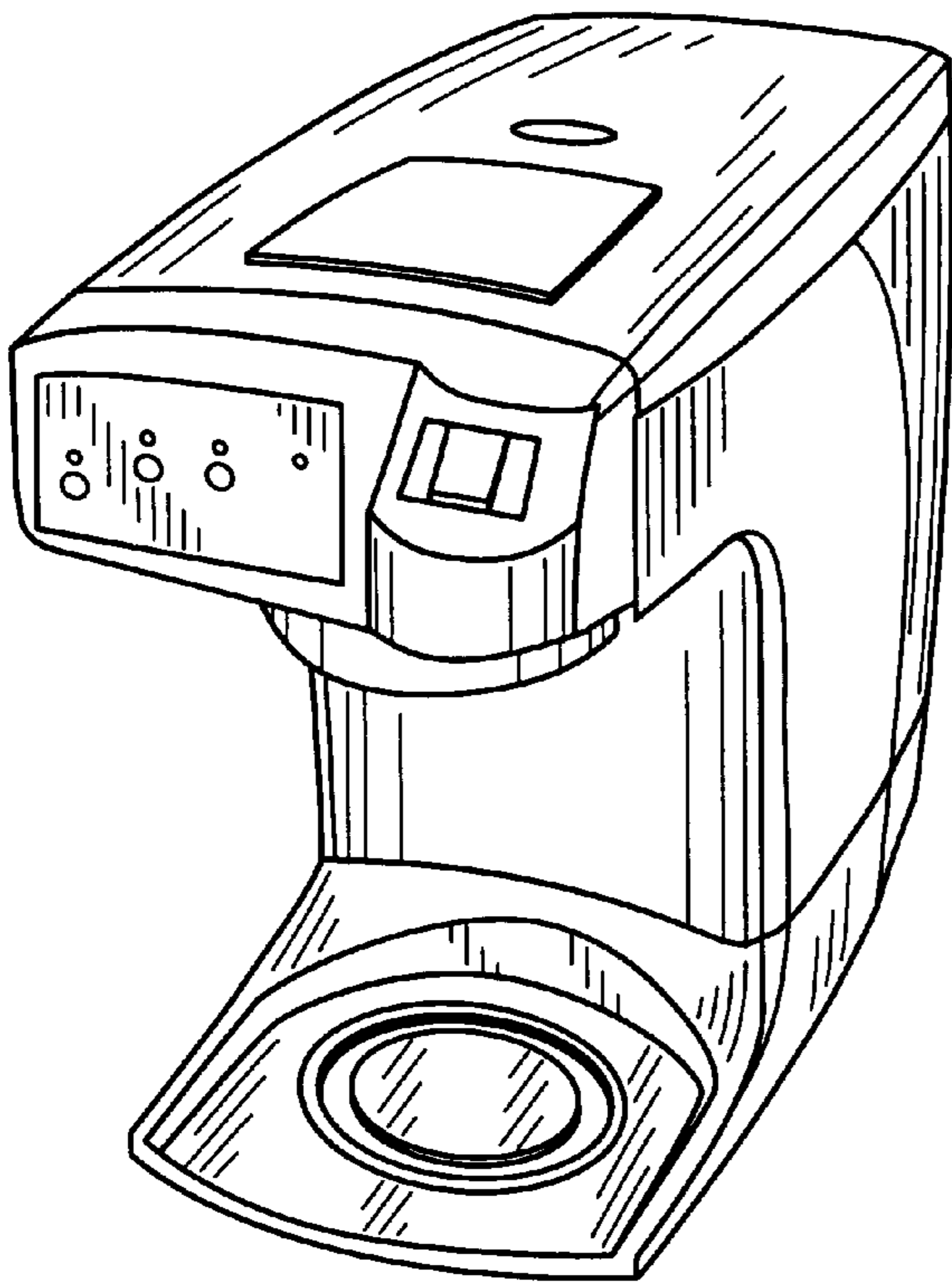


FIG. 1

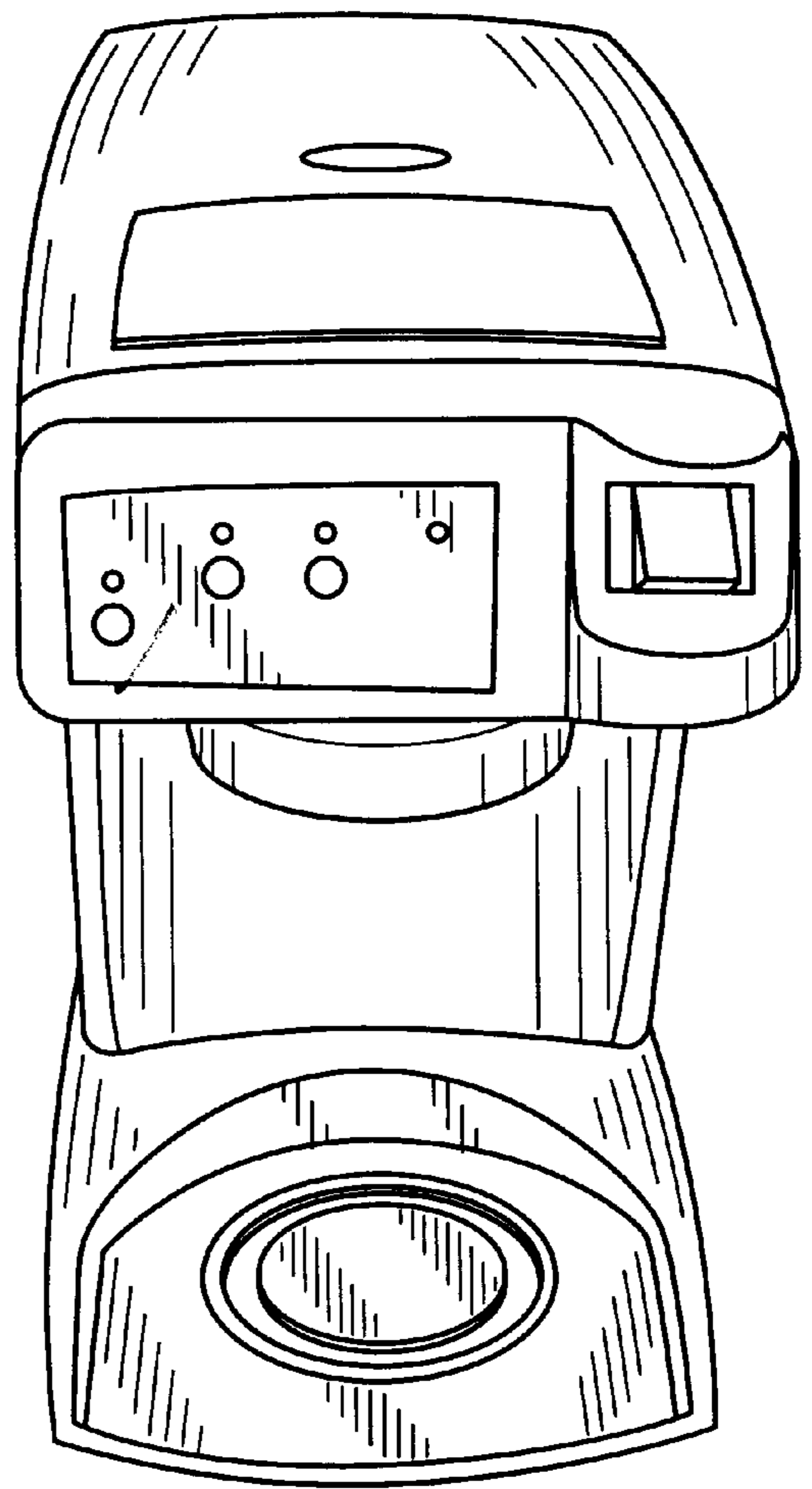


FIG. 2

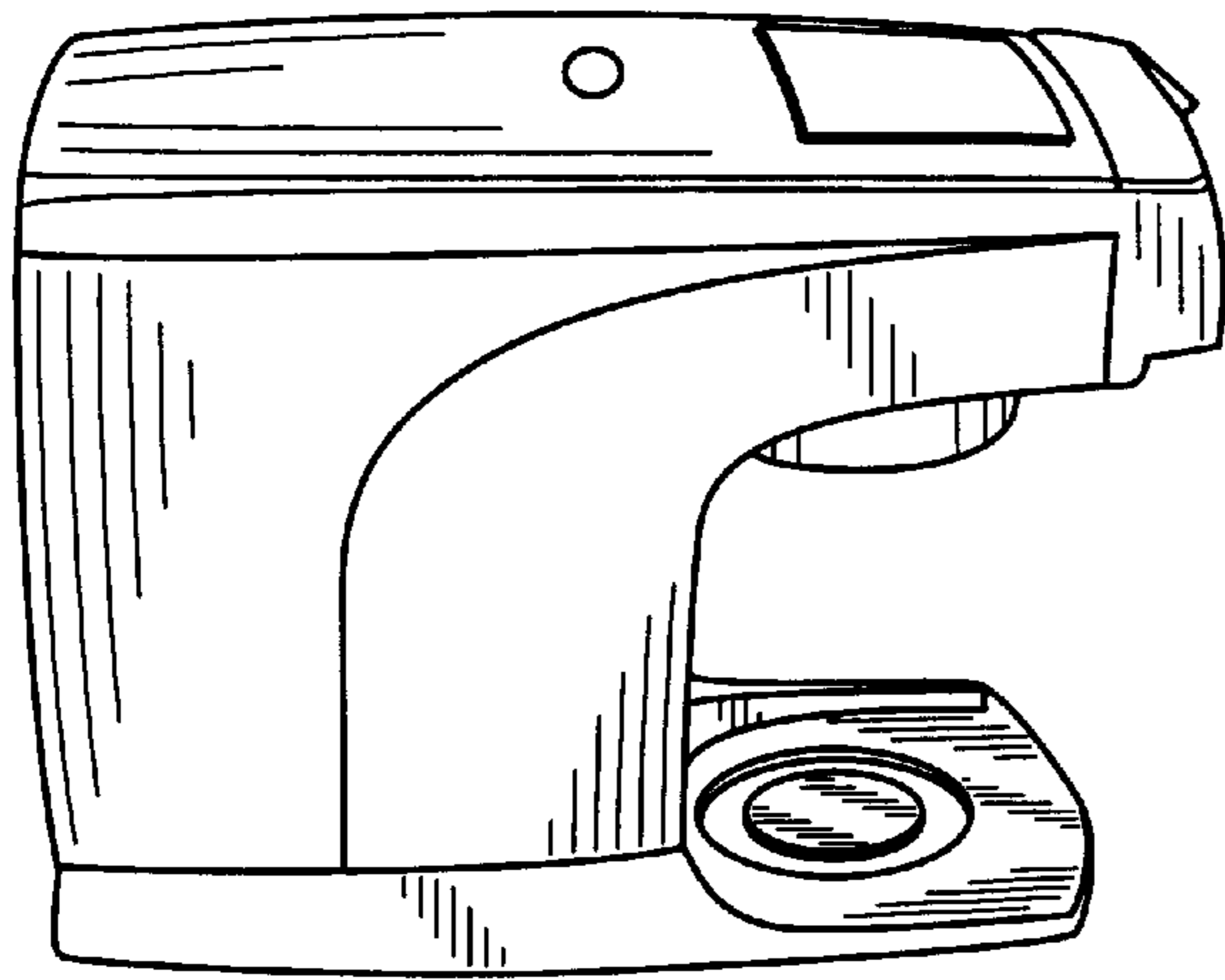


FIG. 3

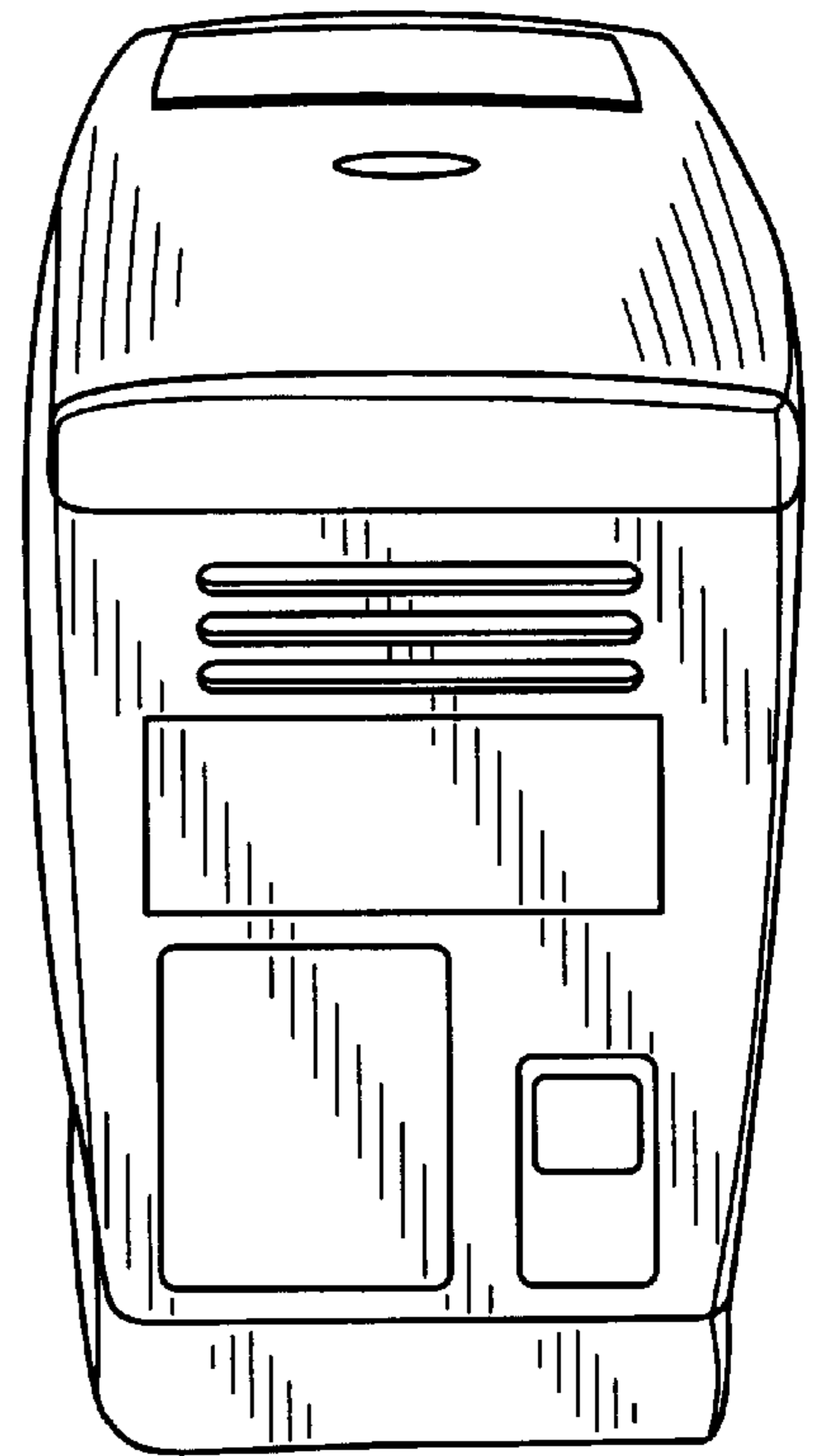


FIG. 5

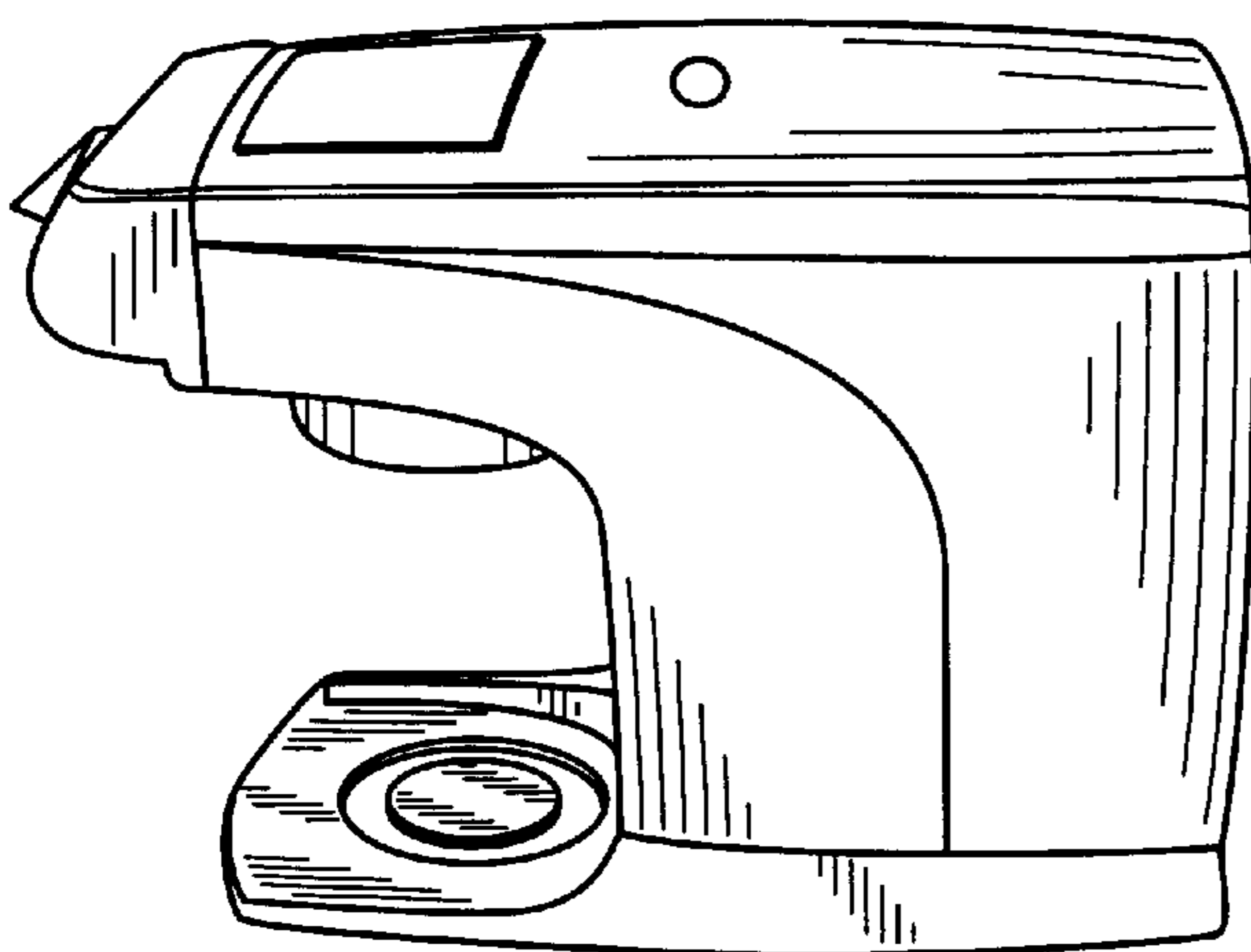


FIG. 4

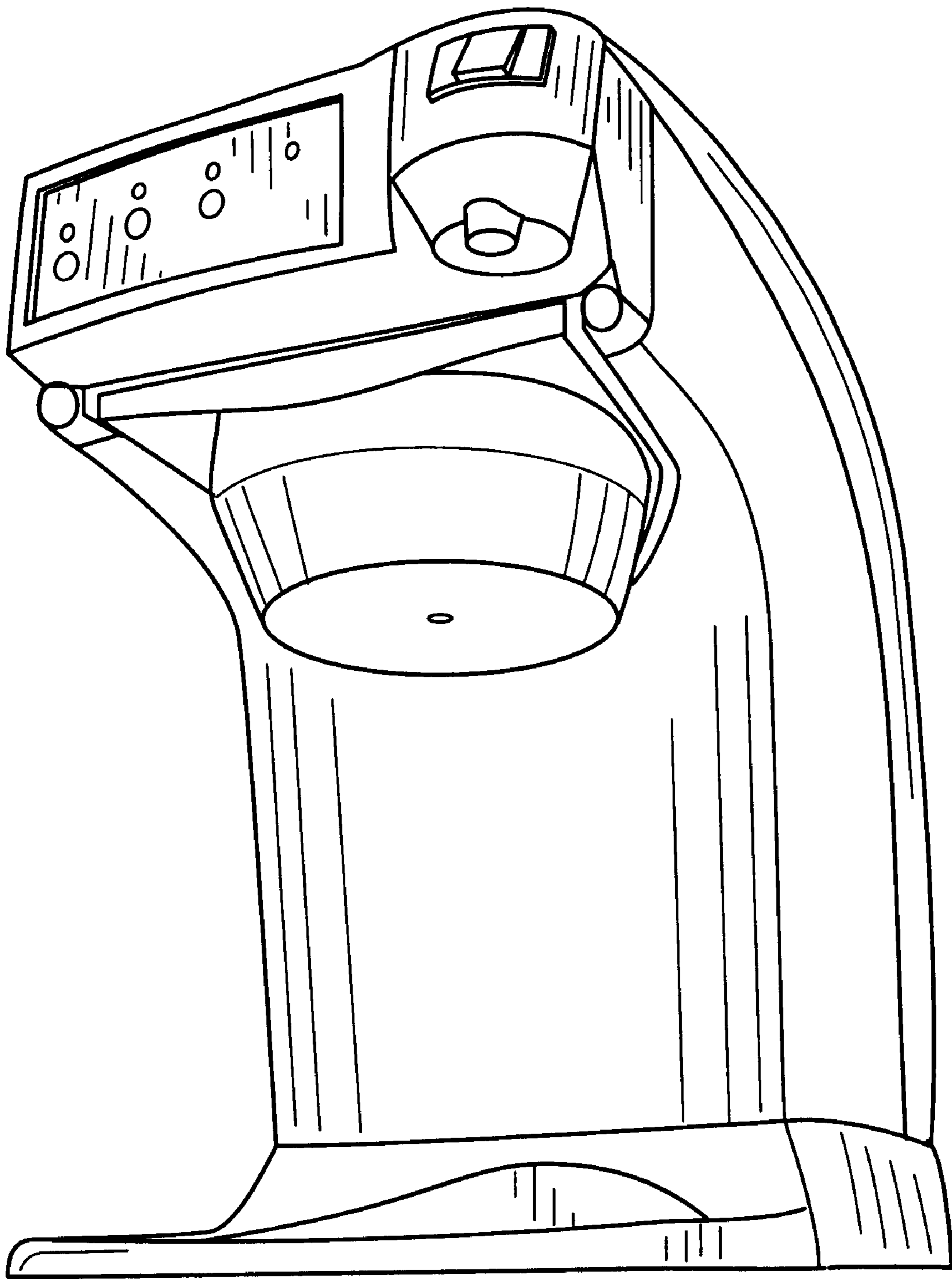


FIG. 6