



US00D484732S

(12) **United States Design Patent**
Dardashti

(10) **Patent No.:** **US D484,732 S**

(45) **Date of Patent:** **** Jan. 6, 2004**

(54) **CD CASE**

(76) **Inventor:** **Shahriar L. Dardashti**, 14138
Beresford Rd., Beverly Hills, CA (US)
90210

(**) **Term:** **14 Years**

(21) **Appl. No.:** **29/182,958**

(22) **Filed:** **Jun. 3, 2003**

(51) **LOC (7) Cl.** **06-04**

(52) **U.S. Cl.** **D6/634; D6/407; D6/632**

(58) **Field of Search** D3/201, 215, 217,
D3/218, 226, 238, 247, 254, 257, 270,
272, 273, 276, 295, 303, 307; D21/385;
D6/407, 408, 475, 626-635, 308; D9/420,
337, 424, 445, 454; D27/189; D28/38,
83; 206/18, 307, 307.1, 308.1, 308.2, 308.3,
309-310, 311, 312, 313, 445, 749; 312/902,
9.9, 9.48, 9.55, 9.64, 9.47, 9.53, 328; 379/355;
383/18

5,344,037	A	9/1994	Favre	220/264
D354,653	S	* 1/1995	Melk	D6/632
D355,323	S	* 2/1995	Melk	D6/632
D379,010	S	* 4/1997	Digianni	D27/189
5,906,274	A	5/1999	McEwan	206/308.1
D414,977	S	10/1999	Hales et al.	D6/631
6,024,215	A	2/2000	Leung	206/308.1
D427,476	S	* 7/2000	Chan	D6/634
6,082,836	A	7/2000	Marshall et al.	312/9.57
6,085,384	A	7/2000	Bivens	16/54
D437,521	S	2/2001	Leung	D6/635
6,195,431	B1	2/2001	Middleton	379/433
6,301,747	B1	10/2001	Parein	16/260
D459,031	S	* 6/2002	Limongi	D28/83
D462,561	S	9/2002	Bellin et al.	D6/634
2002/0069483	A1	6/2002	Savolainen et al.	16/308

FOREIGN PATENT DOCUMENTS

AU	WO 96/32719	10/1996	G11B/23/03
FR	1 213 640 A2	6/2002	G06F/1/16

* cited by examiner

Primary Examiner—Celia Murphy
(74) *Attorney, Agent, or Firm*—Cislo & Thomas LLP

(56) **References Cited**

U.S. PATENT DOCUMENTS

D54,979	S	* 4/1920	Blackmarr	
1,802,858	A	* 4/1931	Wilson et al.	
2,258,542	A	* 10/1941	Cressaty	
2,424,432	A	* 7/1947	Bower	
D192,960	S	* 6/1962	Buderman	
3,217,154	A	* 11/1965	Owen	
3,587,517	A	* 6/1971	Fites et al.	
D255,038	S	* 5/1980	Itakura D21/385
D260,305	S	* 8/1981	MacGregor et al. D6/308
D262,579	S	* 1/1982	deHaseth D28/83
D267,821	S	* 2/1983	Guth et al. D28/38
D283,086	S	* 3/1986	Weinhart D6/308
4,574,423	A	3/1986	Ito et al. 16/85
4,697,673	A	10/1987	Omata 188/291
4,778,228	A	10/1988	Ackeret 312/12
4,802,605	A	* 2/1989	Salmon et al. 220/338
D313,126	S	* 12/1990	Ratslaff et al. D6/308
D314,146	S	* 1/1991	Scholz D9/420
D333,382	S	* 2/1993	Cheng D6/634
5,246,107	A	9/1993	Long et al. 206/309

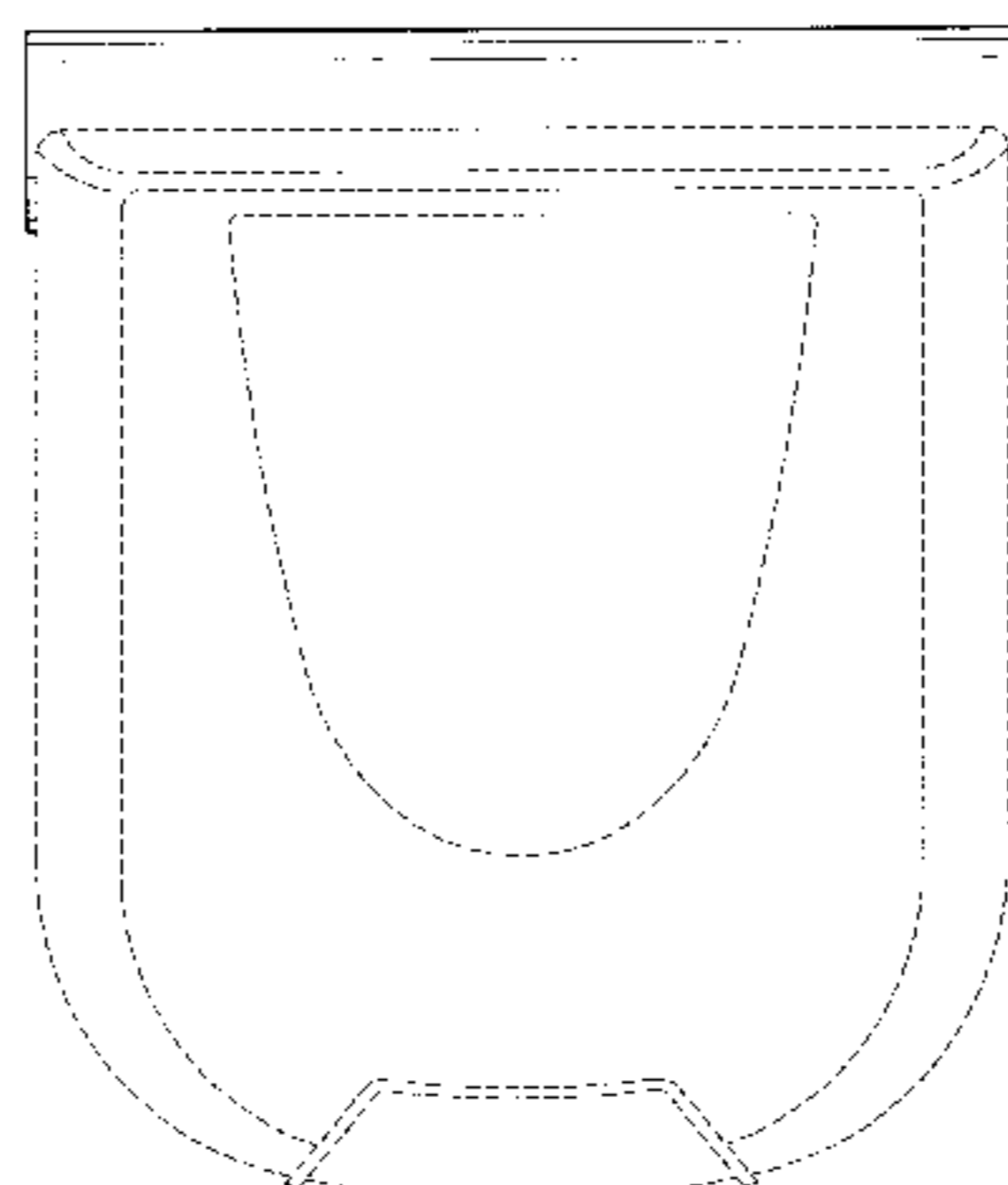
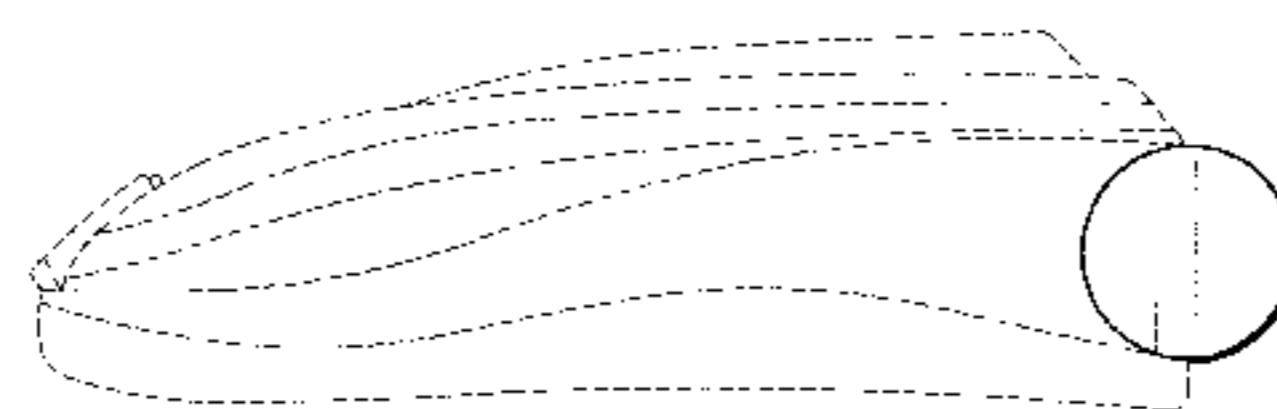
(57) **CLAIM**

The ornamental design for a CD case, as shown and described herein.

DESCRIPTION

FIG. 1 is a perspective view of a CD case showing my new design in a partially open position;
FIG. 2 is a perspective view thereof shown in a closed position;
FIG. 3 is a right side elevational view of FIG. 2, the left side being a mirror image;
FIG. 4 is a rear elevational view of FIG. 2;
FIG. 5 is a top plan view of FIG. 2;
FIG. 6 is a front elevational view of FIG. 2; and,
FIG. 7 is a bottom plan view thereof.
The broken lines showing a case throughout the views illustrate the environment in which the design resides; however, the broken lines form no part of the claim.

1 Claim, 4 Drawing Sheets



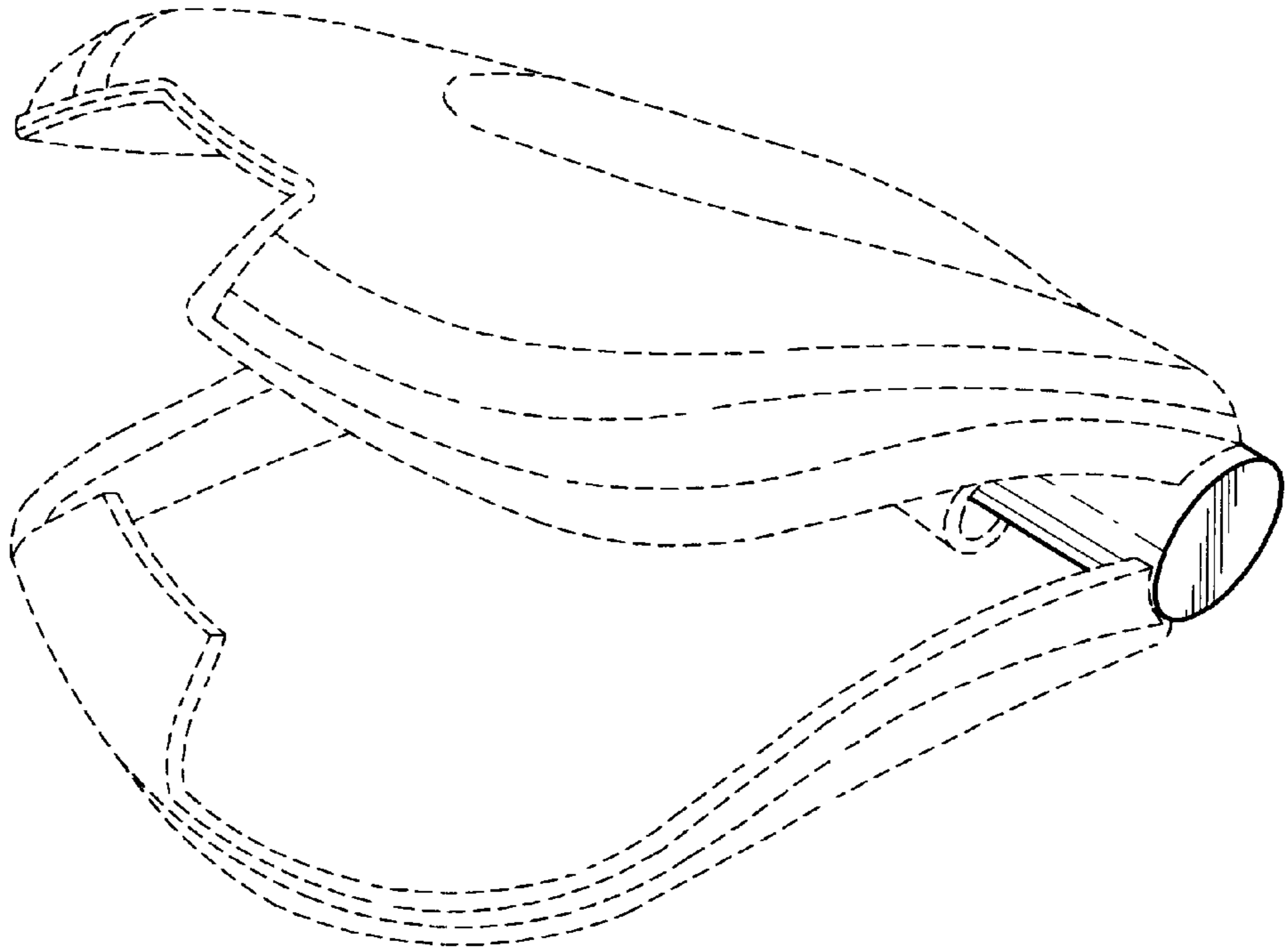


FIG. 1

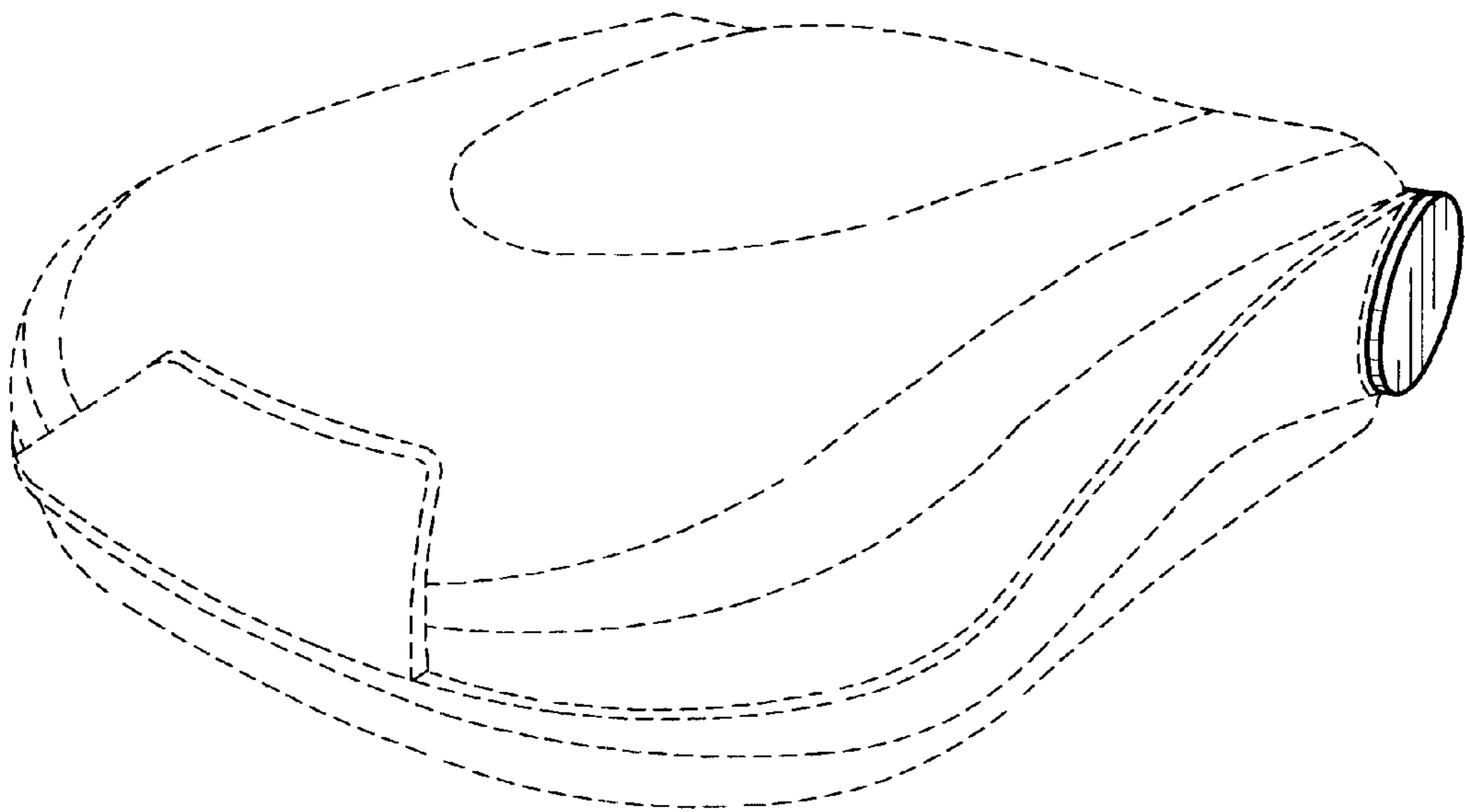


FIG. 2

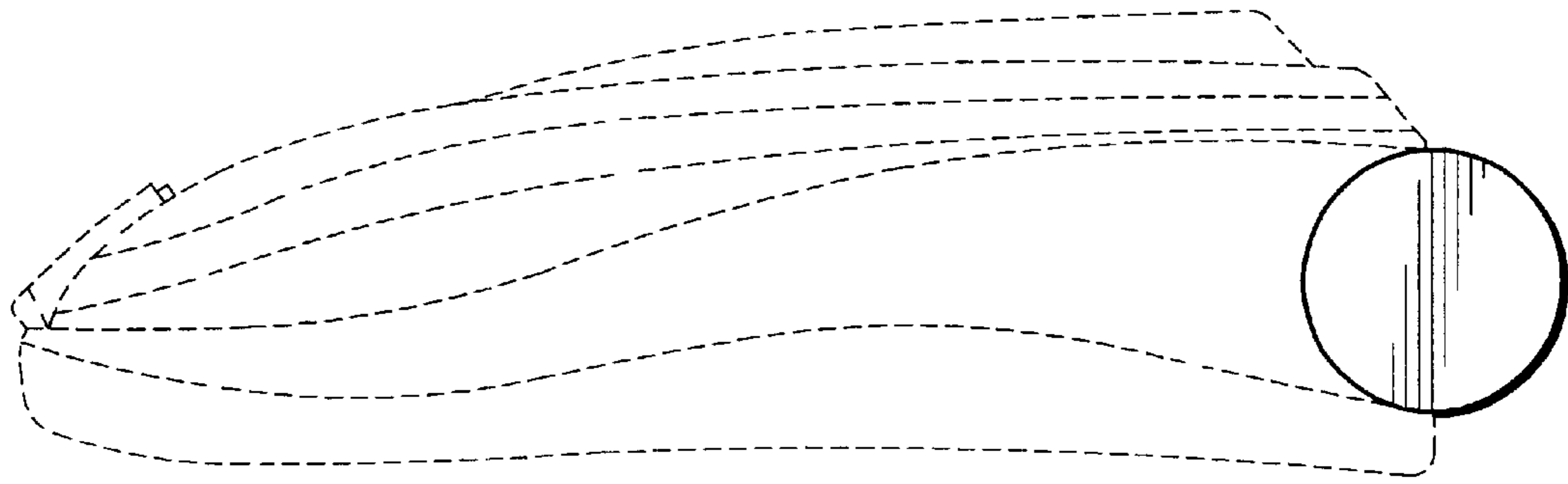


FIG. 3

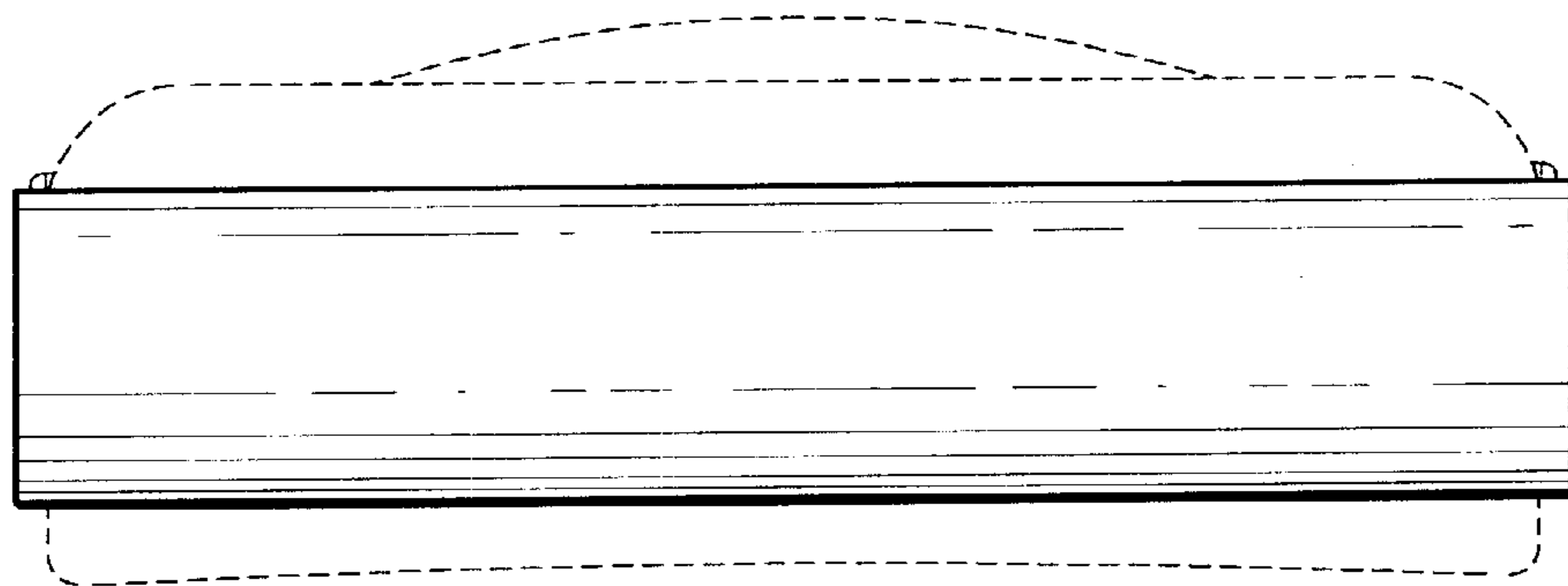


FIG. 4

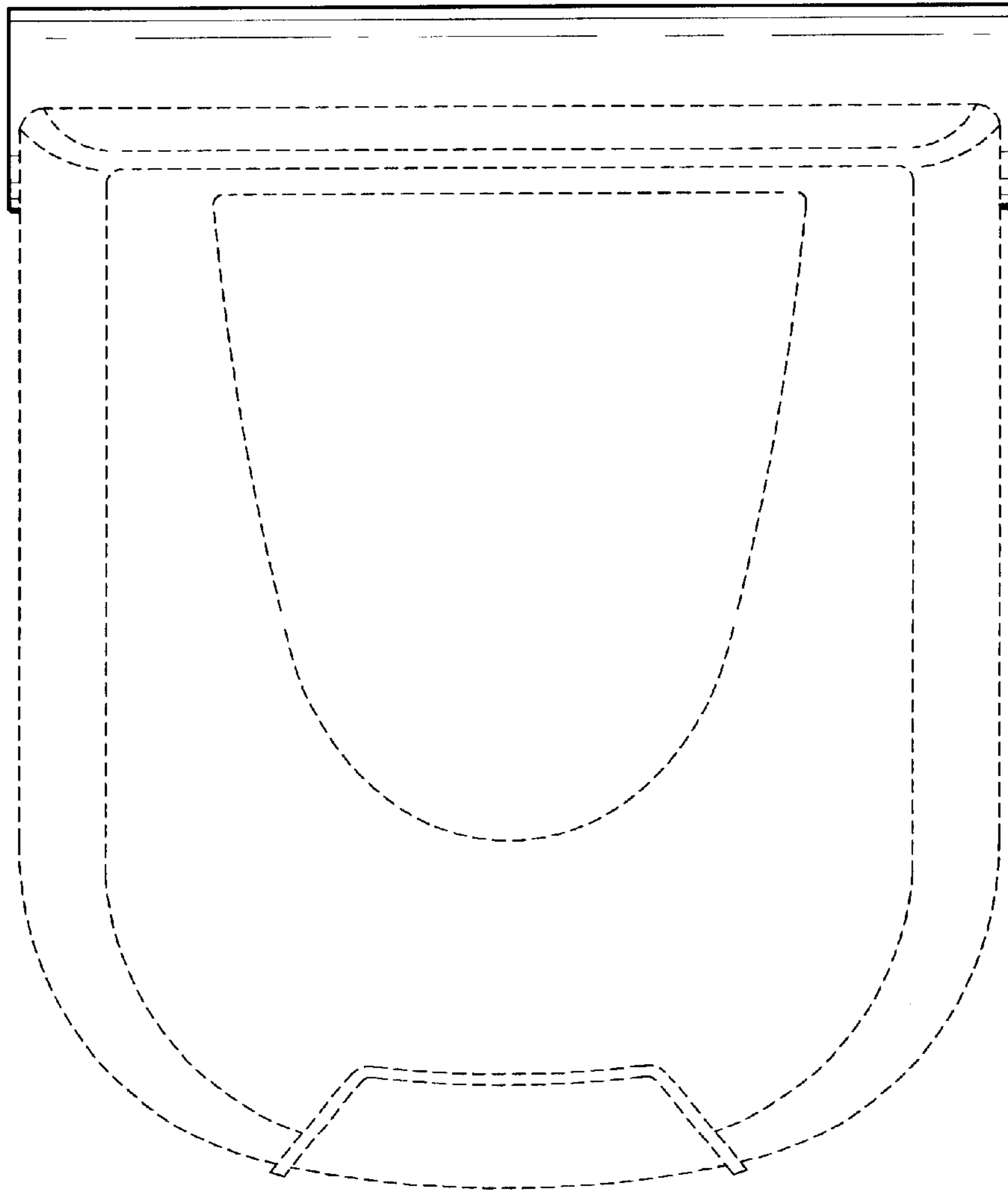


FIG. 5

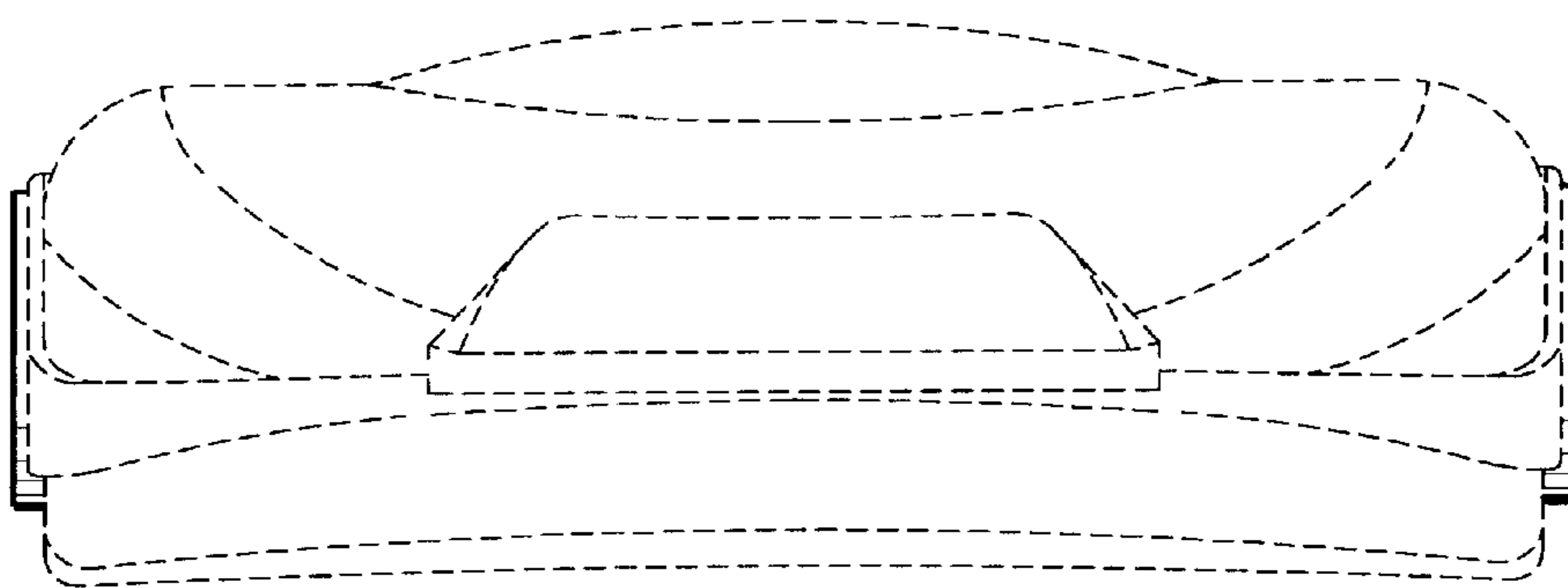


FIG. 6

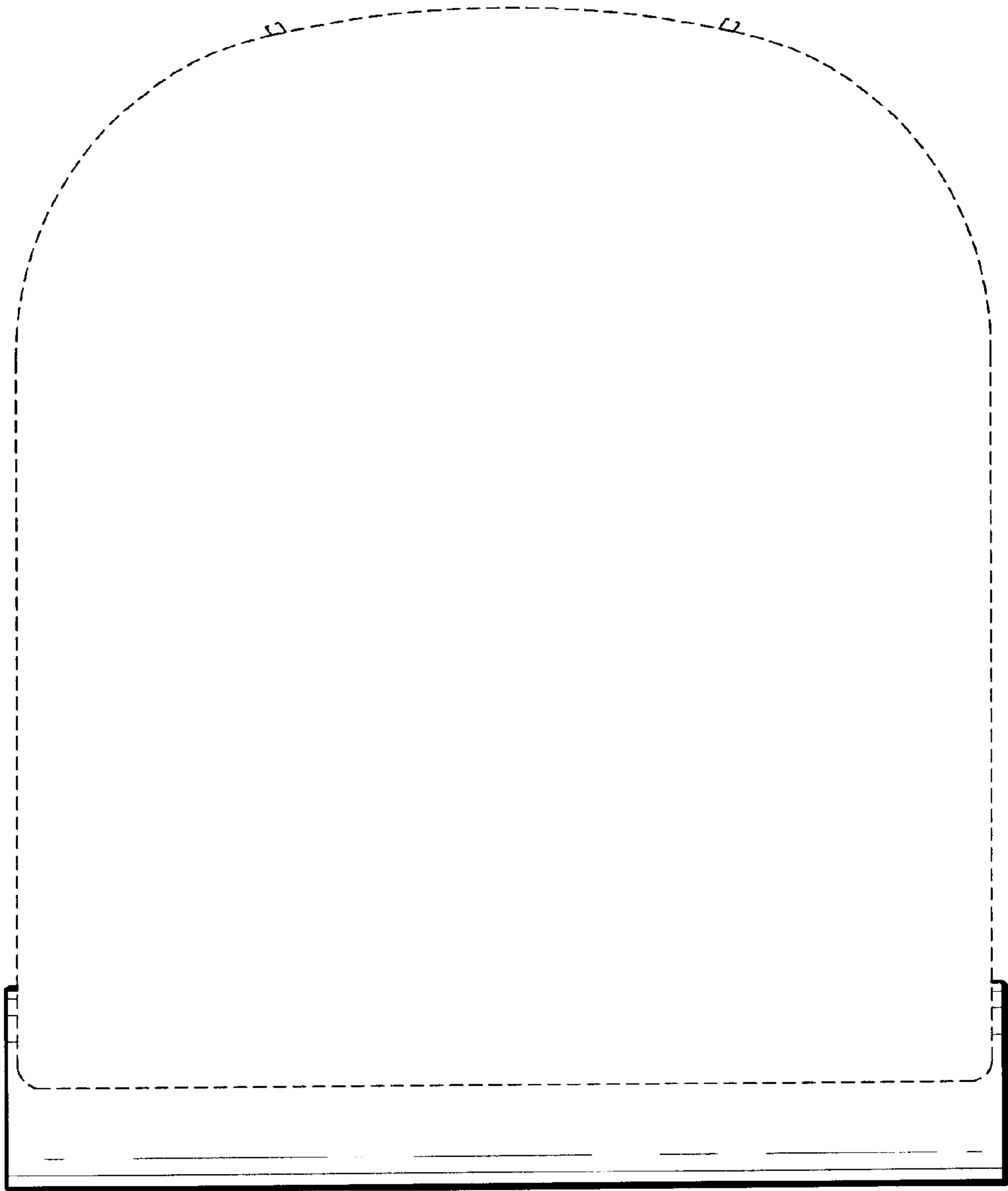


FIG. 7