



US00D484725S

(12) **United States Design Patent**
Howard

(10) **Patent No.:** **US D484,725 S**

(45) **Date of Patent:** **** Jan. 6, 2004**

(54) **KEY BOX**

(76) Inventor: **Raymond W. Howard**, 1133 First St.,
#319, Coronado, CA (US) 92118-1479

(**) Term: **14 Years**

(21) Appl. No.: **29/180,415**

(22) Filed: **Apr. 22, 2003**

(51) **LOC (7) Cl.** **06-04**

(52) **U.S. Cl.** **D6/559**

(58) **Field of Search** D6/559, 561; D3/201,
D3/208, 905; 206/207, 580, 38.1; 312/242,
245

(56) **References Cited**

U.S. PATENT DOCUMENTS

D297,195 S	*	8/1988	Warwicker	D6/559
5,141,300 A	*	8/1992	Ciesla	312/245 X
D418,347 S	*	1/2000	Dragonette	D6/559
D419,769 S	*	2/2000	Germano	D6/559 X

* cited by examiner

Primary Examiner—Brian N. Vinson

(74) *Attorney, Agent, or Firm*—Murphey & Murphey,
A.P.C.

(57) **CLAIM**

The ornamental design of a key box, as shown and described.

DESCRIPTION

FIG. 1 is a front perspective view of a key box (with lid closed) showing my new design;

FIG. 2 is a front perspective view of the design shown in FIG. 1 with lid open;

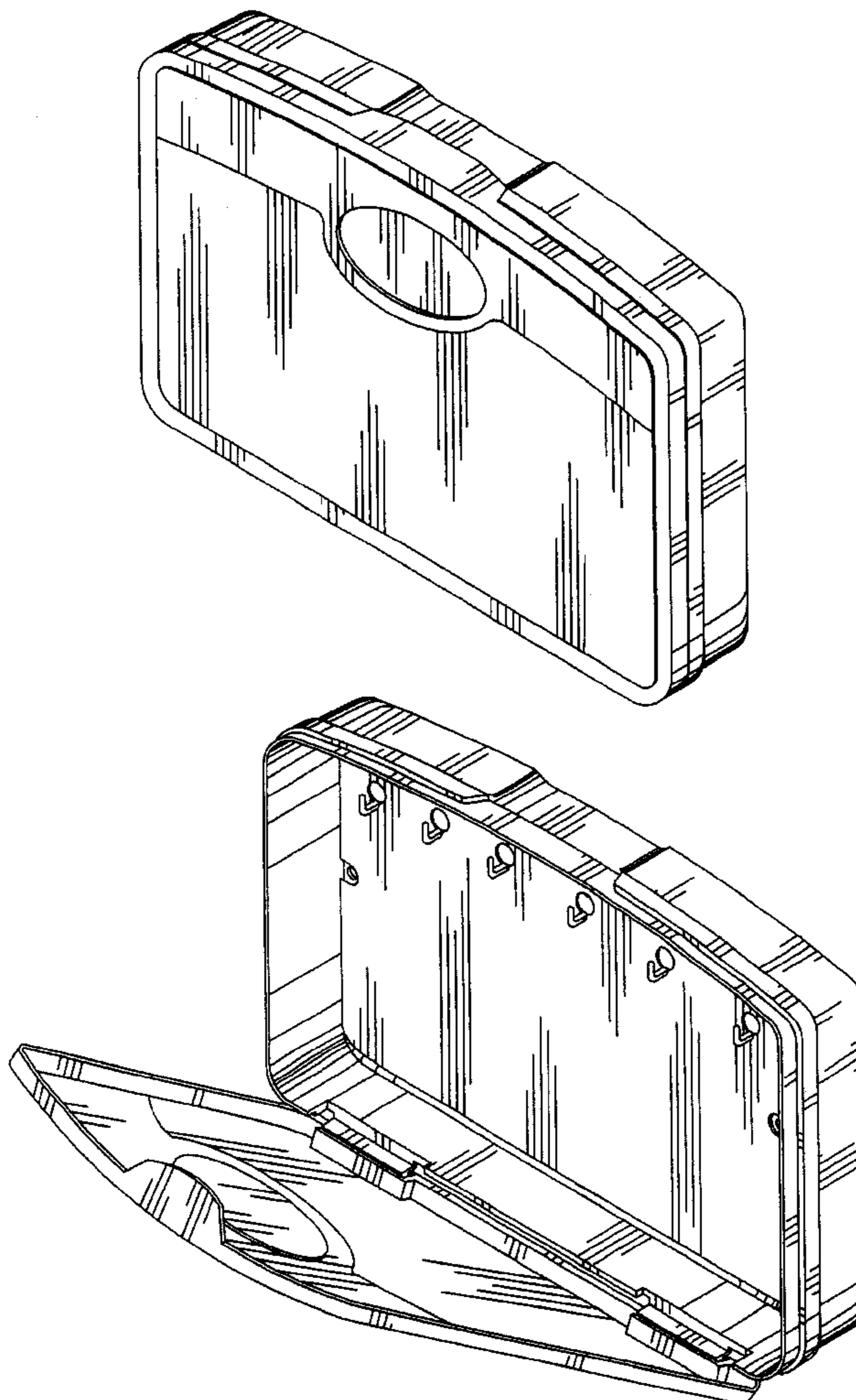
FIG. 3 is a left side elevation view (with lid closed) thereof with the right side a mirror image thereof;

FIG. 4 is a front elevation view of the design shown in FIG. 1;

FIG. 5 is a rear elevation plan view of the design shown in FIG. 1; and,

FIG. 6 is a top plan view of my new design.

1 Claim, 3 Drawing Sheets



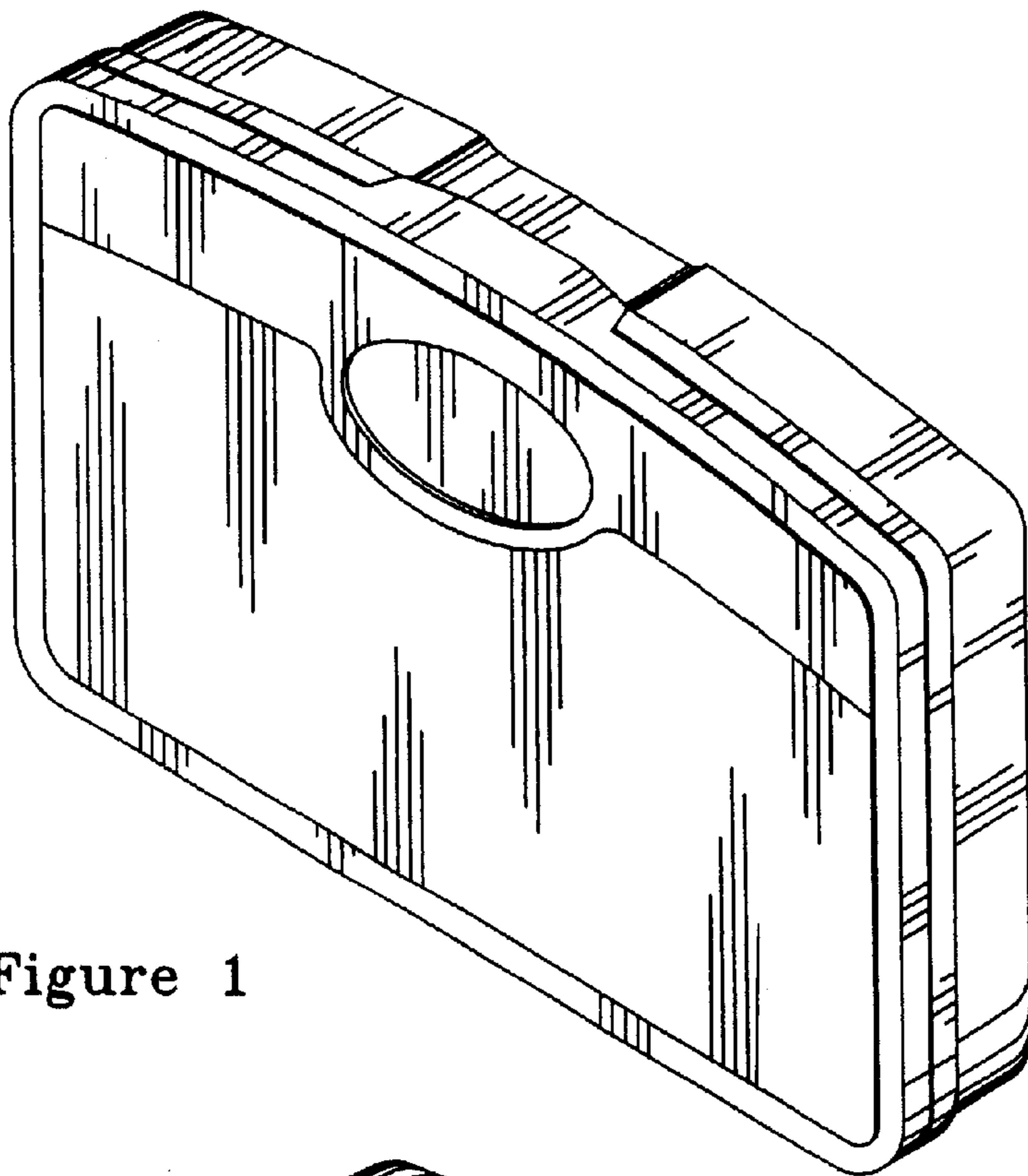


Figure 1

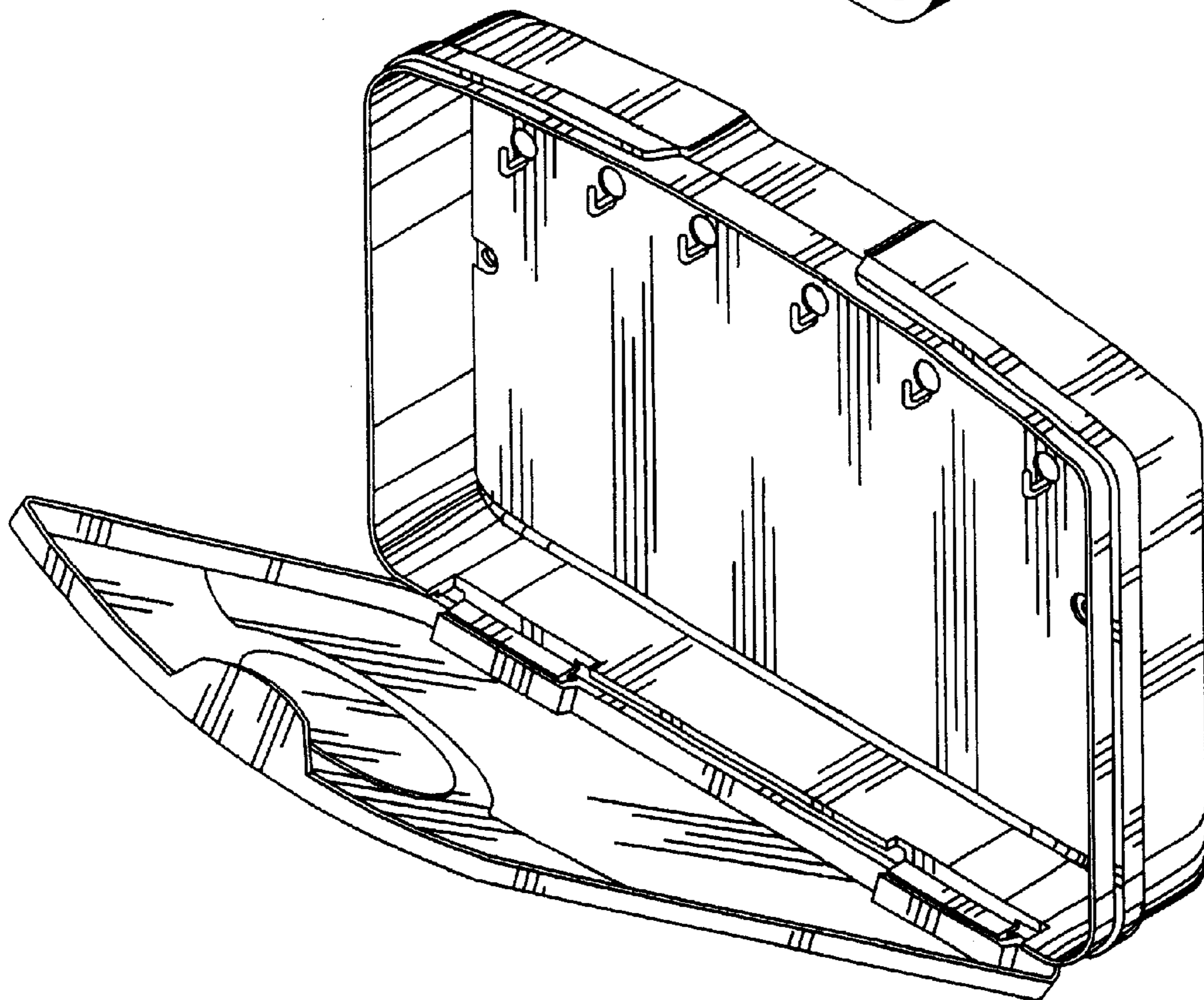


Figure 2

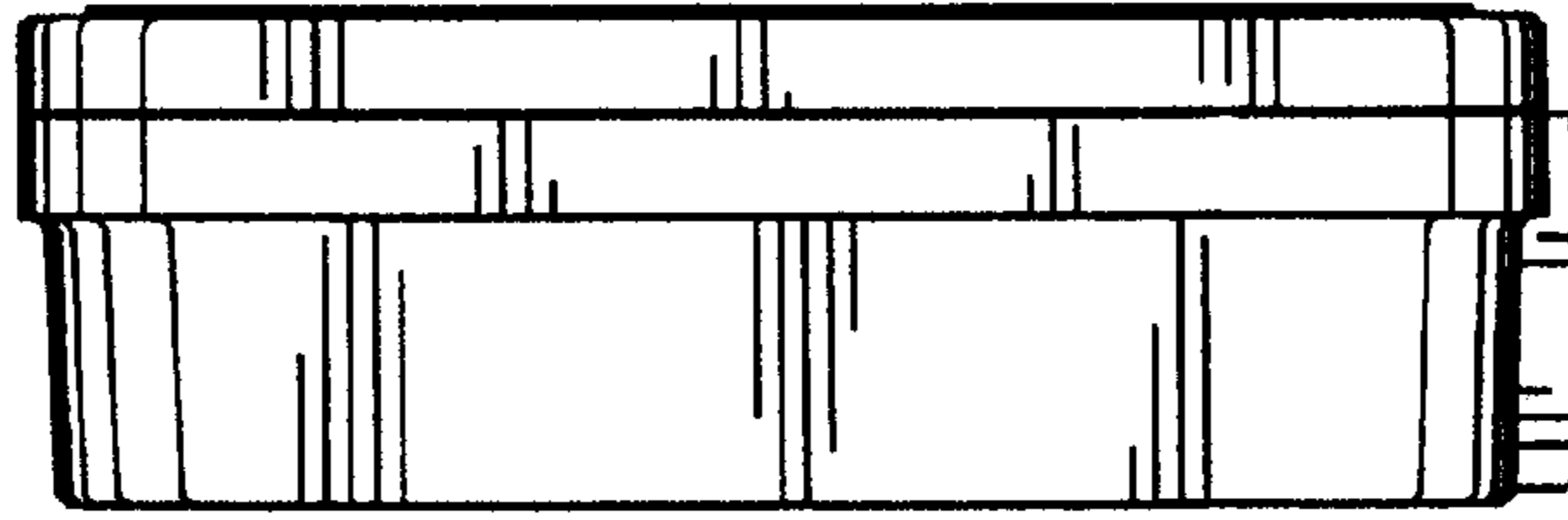


Figure 3

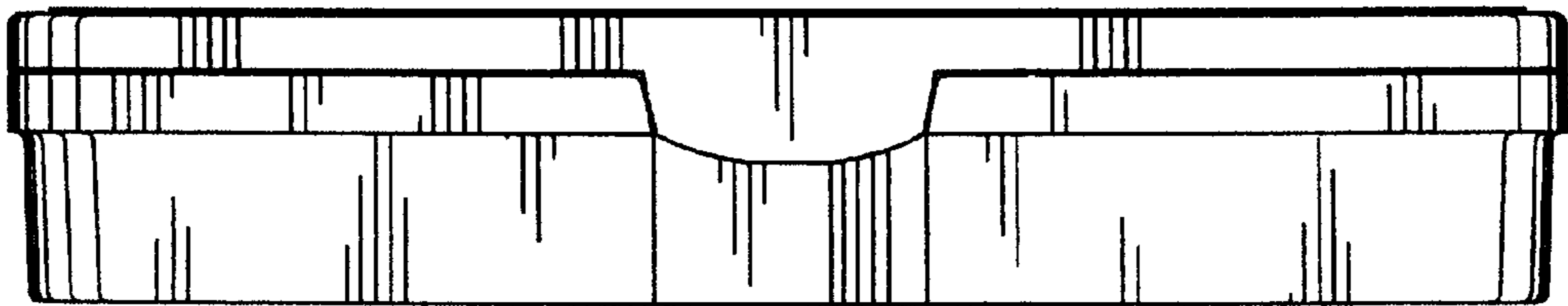


Figure 4

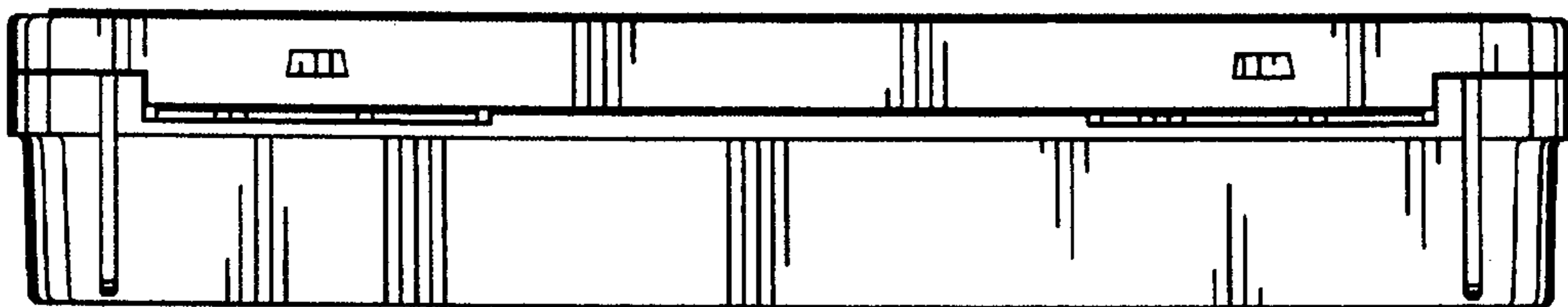


Figure 5

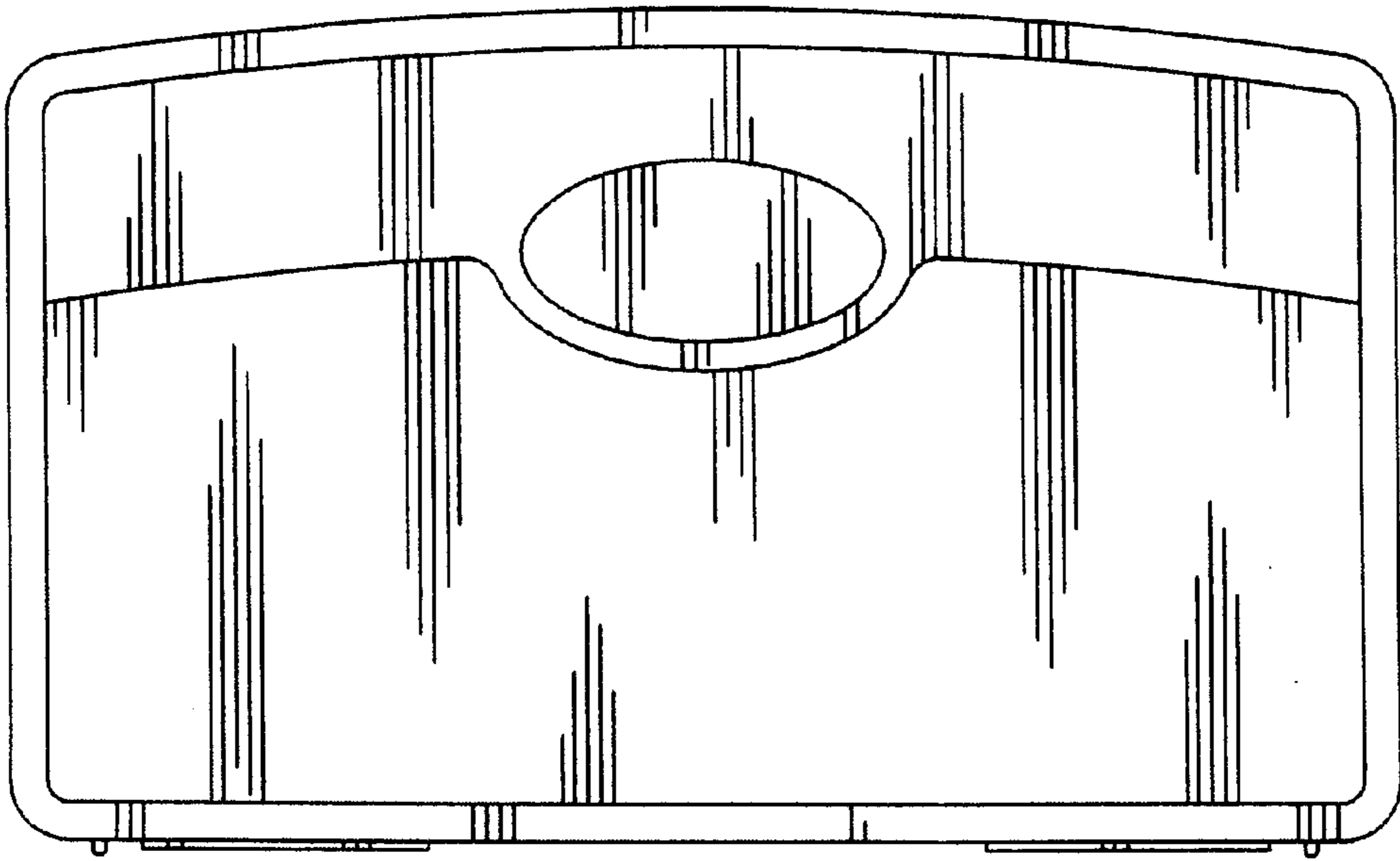


Figure 6

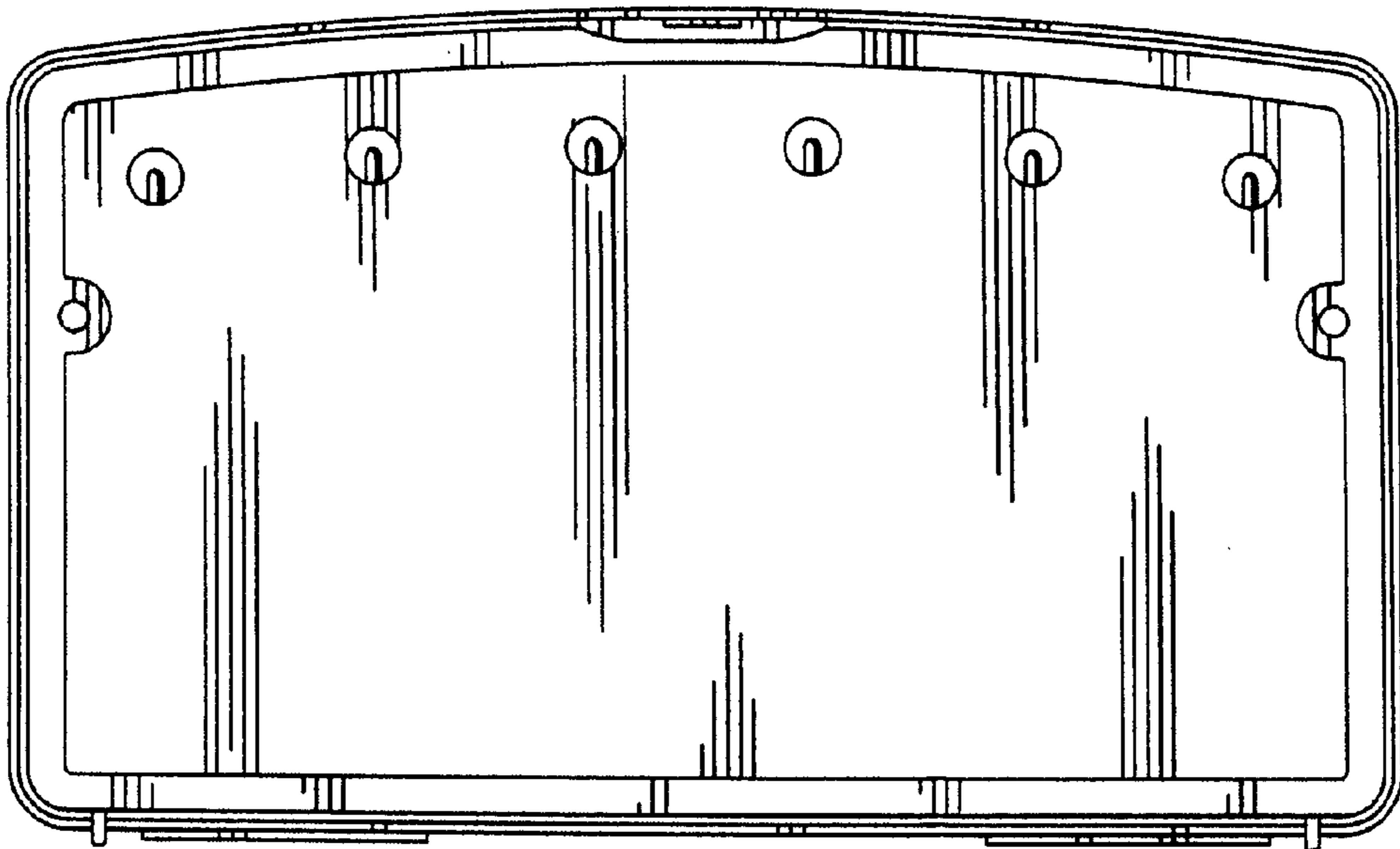


Figure 7