



US00D484724S

(12) **United States Design Patent**  
**Rodon et al.**

(10) **Patent No.:** **US D484,724 S**

(45) **Date of Patent:** **\*\* Jan. 6, 2004**

(54) **STORAGE CABINET**

(75) **Inventors:** **Frank C. Rodon**, Batavia, NY (US);  
**Jerry L. Reinhart**, Batavia, NY (US)

(73) **Assignee:** **Eastern Molding International, LLC**,  
Batavia, NY (US)

(\*\*) **Term:** **14 Years**

(21) **Appl. No.:** **29/168,321**

(22) **Filed:** **Sep. 30, 2002**

(51) **LOC (7) Cl.** ..... **06-04**

(52) **U.S. Cl.** ..... **D6/559**

(58) **Field of Search** ..... D6/553, 559, 561;  
D3/201, 202, 203, 254; 211/13.1, 86.01,  
87.01, 134; 312/242, 245

(56) **References Cited**

**U.S. PATENT DOCUMENTS**

4,378,828 A	4/1983	Shiminski	
D318,175 S	7/1991	Venanzini	
D318,367 S	7/1991	Chen	
5,108,287 A	4/1992	Yee et al.	
D330,120 S	* 10/1992	Temple et al. ....	D6/559 X
D335,577 S	5/1993	Malmanger et al.	
5,339,956 A	8/1994	Thomason	
5,398,810 A	3/1995	Yao Wang	
5,546,671 A	8/1996	Kehoe	
5,707,126 A	1/1998	Neufeld et al.	
5,713,404 A	2/1998	Ladewig	
D393,393 S	* 4/1998	Greger .....	D6/559
5,754,999 A	5/1998	Helmsderfer	
5,810,177 A	9/1998	Cabiran	
D400,383 S	* 11/1998	Fricano et al. ....	D6/559

5,864,905 A	2/1999	Helmsderfer	
D406,462 S	3/1999	Emery, III	
D408,190 S	4/1999	Helmsderfer et al.	
5,924,781 A	7/1999	Mitchell	
D415,380 S	* 10/1999	Kelly .....	D6/559
D416,155 S	11/1999	Helmsderfer et al.	
D420,543 S	* 2/2000	Tisbo et al. ....	D6/559
6,032,310 A	3/2000	Helmsderfer et al.	
6,050,409 A	4/2000	Delbeck et al.	
6,055,688 A	5/2000	Helmsderfer et al.	
6,059,141 A	5/2000	Wojnowski	
D426,996 S	* 6/2000	Kourembanas .....	D6/559
6,105,509 A	8/2000	Altfeder	
6,113,202 A	9/2000	Germano	
D439,390 S	3/2001	Nottingham et al.	
6,260,700 B1	7/2001	Huang	

\* cited by examiner

*Primary Examiner*—Brian N. Vinson  
(74) *Attorney, Agent, or Firm*—Hodgson Russ LLP

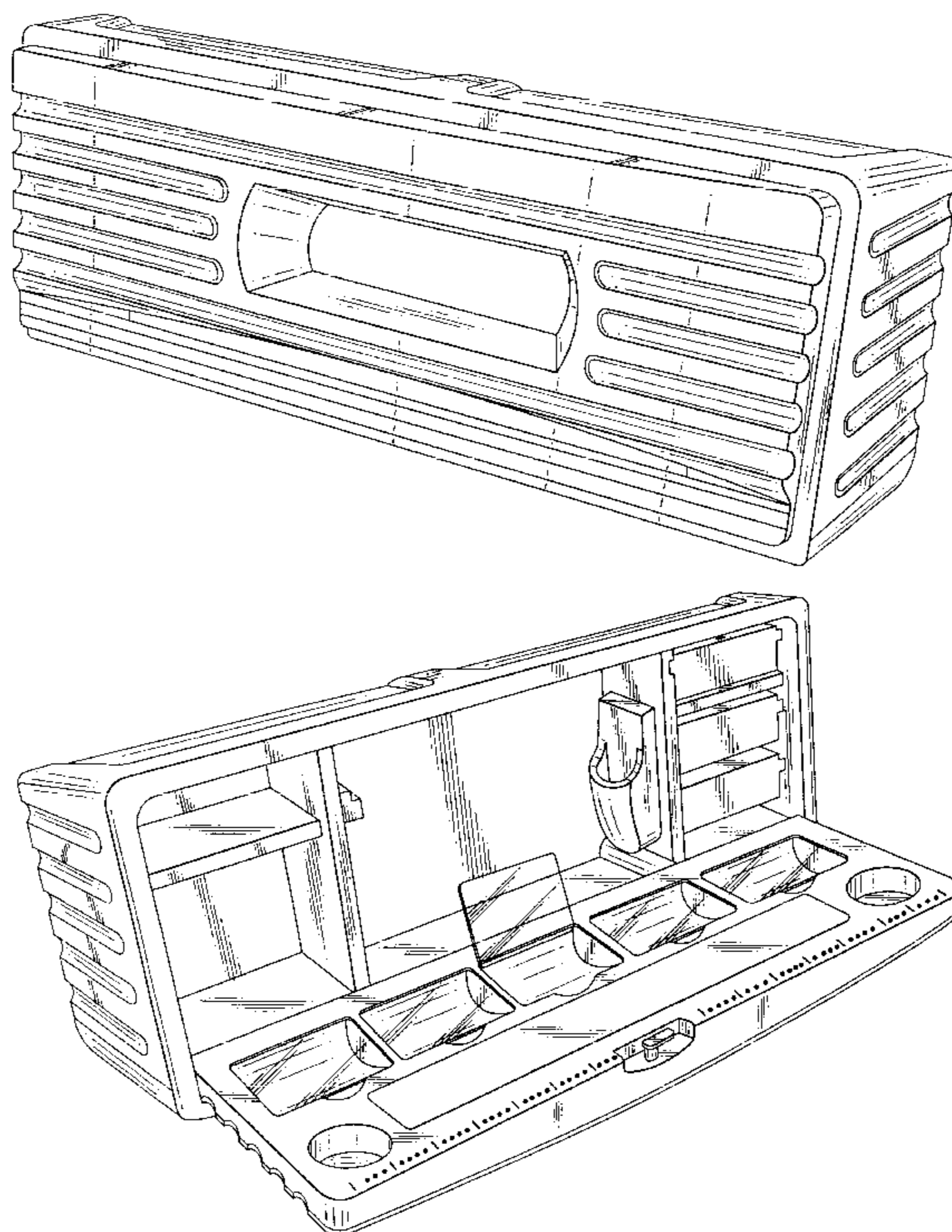
(57) **CLAIM**

The ornamental design for a storage cabinet, as shown and described.

**DESCRIPTION**

FIG. 1 is a perspective view of a storage cabinet showing our new design;  
FIG. 2 is a front elevational view thereof;  
FIG. 3 is a left side elevational view thereof;  
FIG. 4 is a right side elevational view thereof;  
FIG. 5 is a top plan view thereof;  
FIG. 6 is a bottom view thereof;  
FIG. 7 is a rear elevational view thereof; and,  
FIG. 8 is a perspective view thereof, shown open.

**1 Claim, 6 Drawing Sheets**



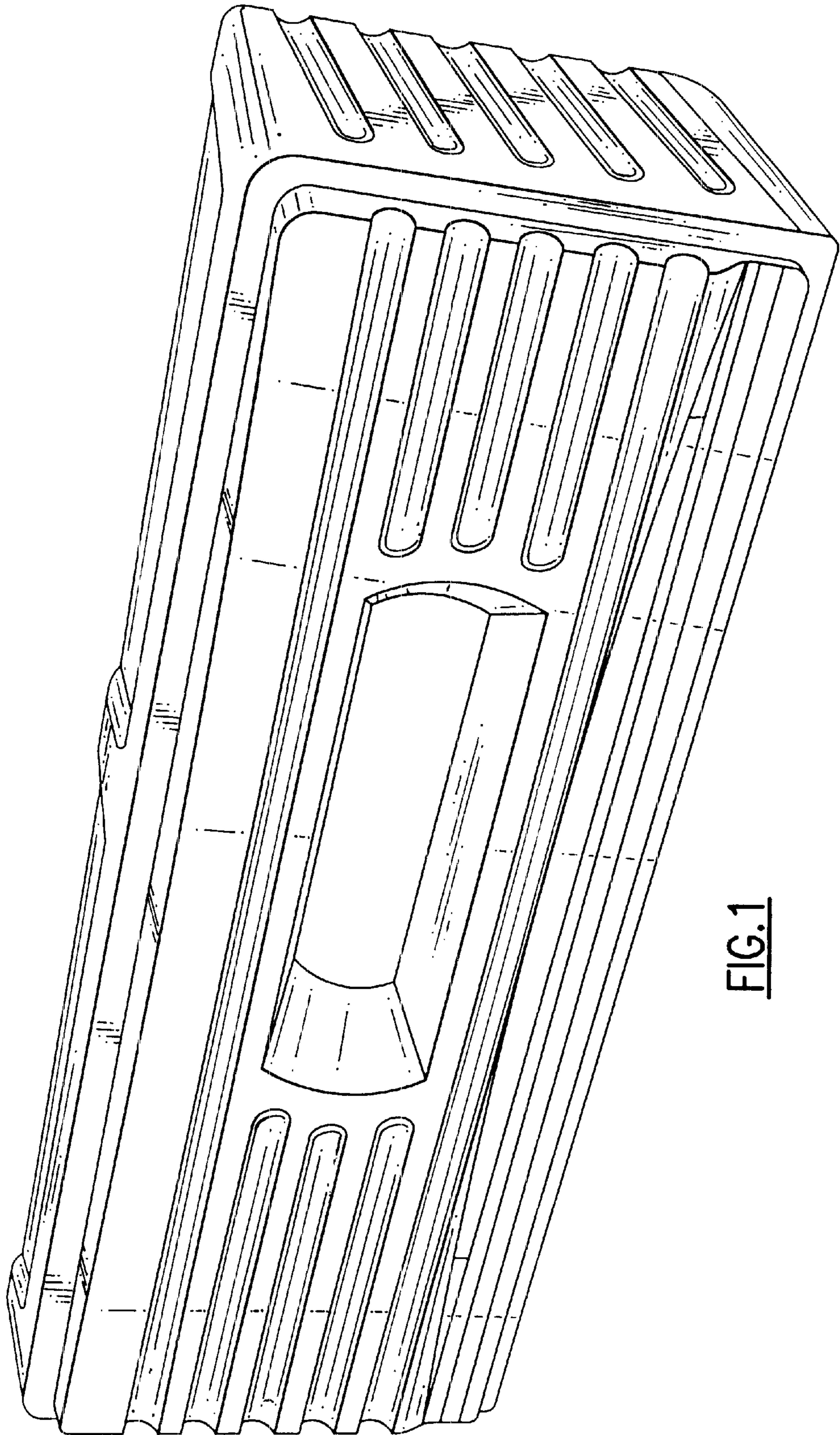


FIG.1

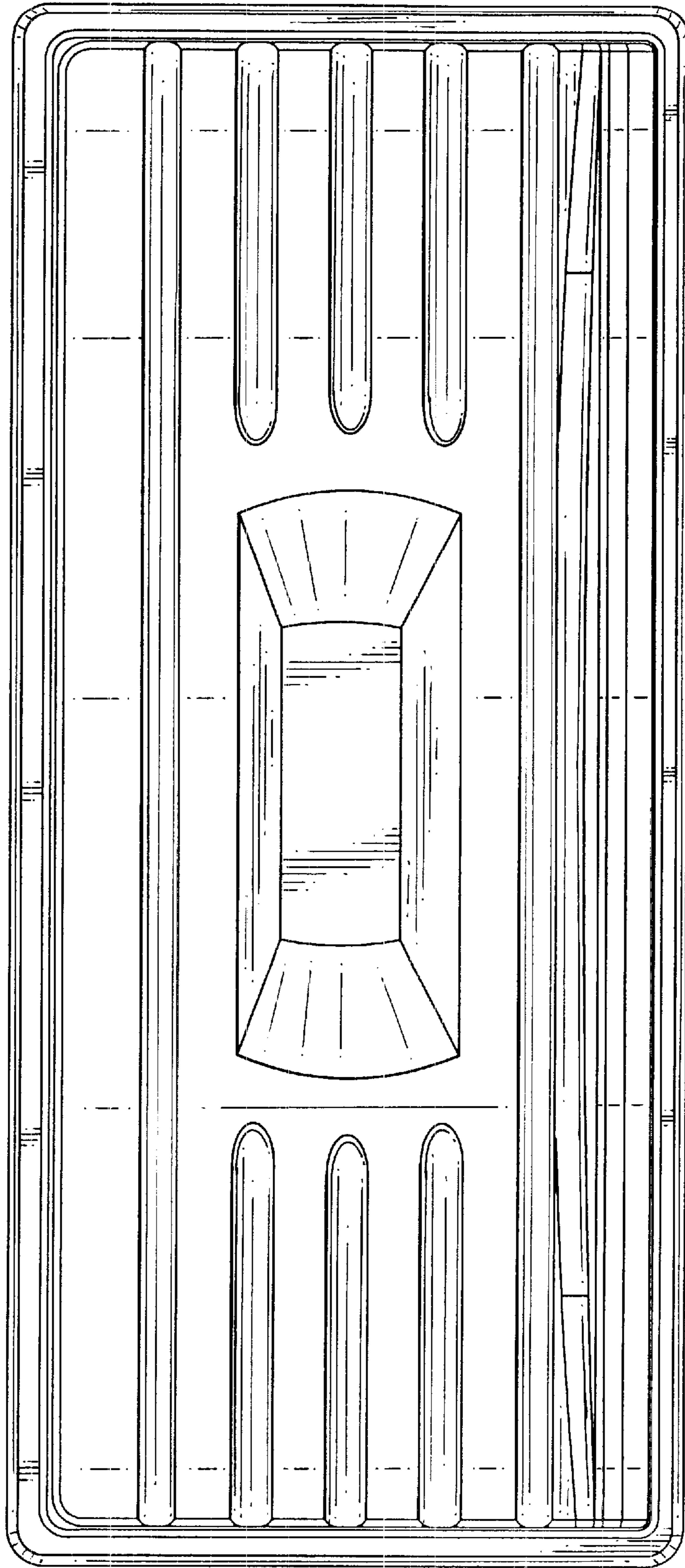


FIG.2

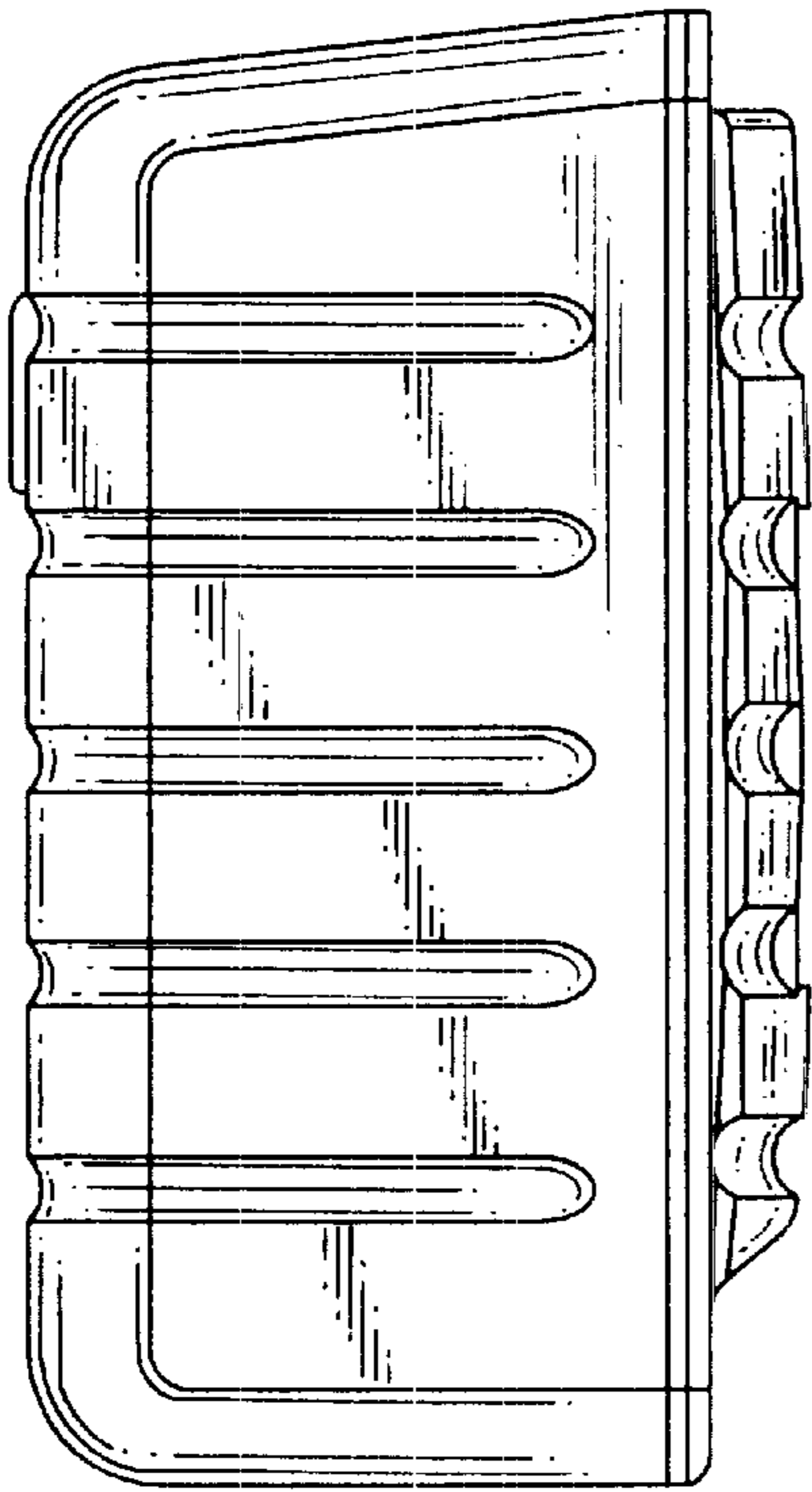


FIG. 3

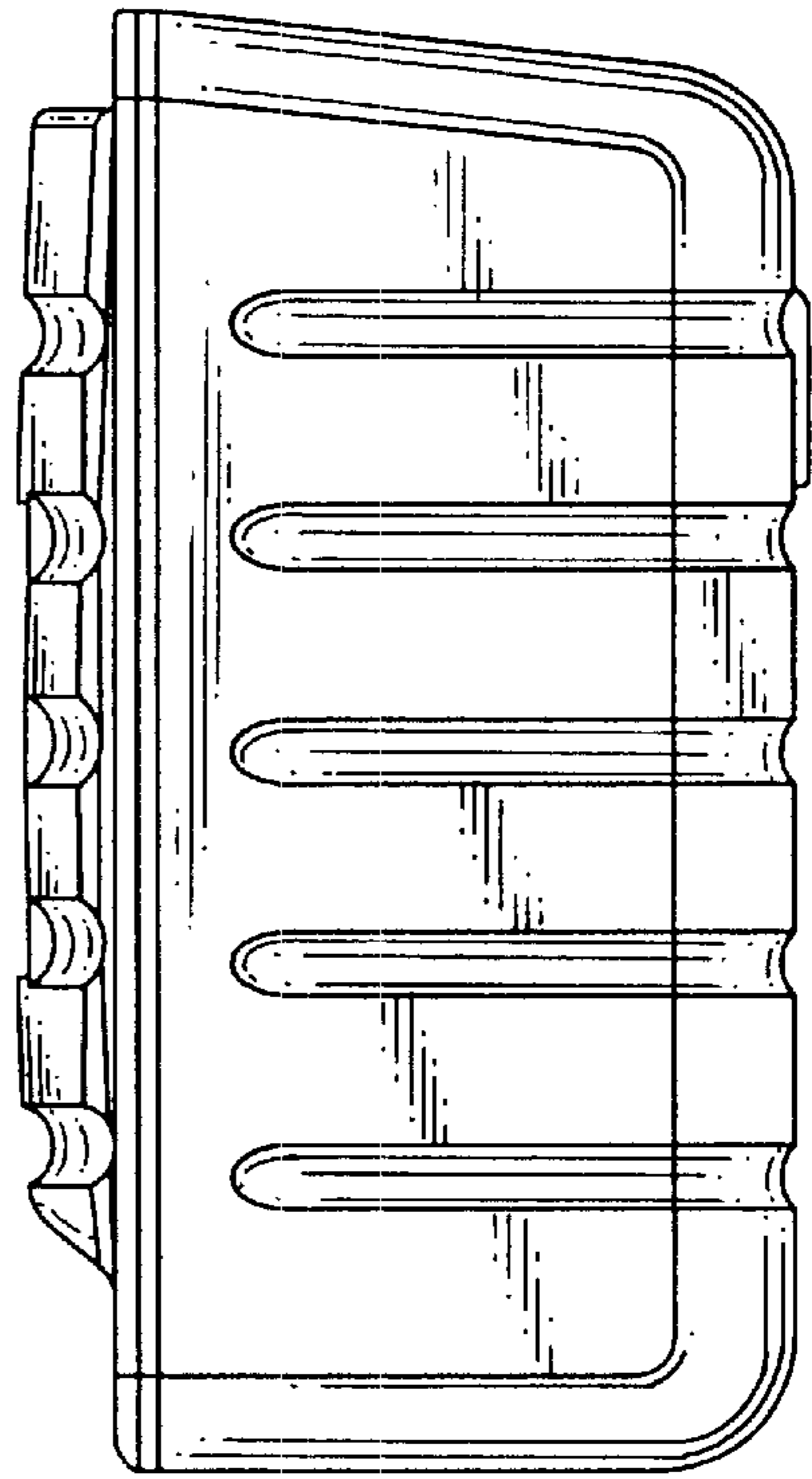


FIG. 4

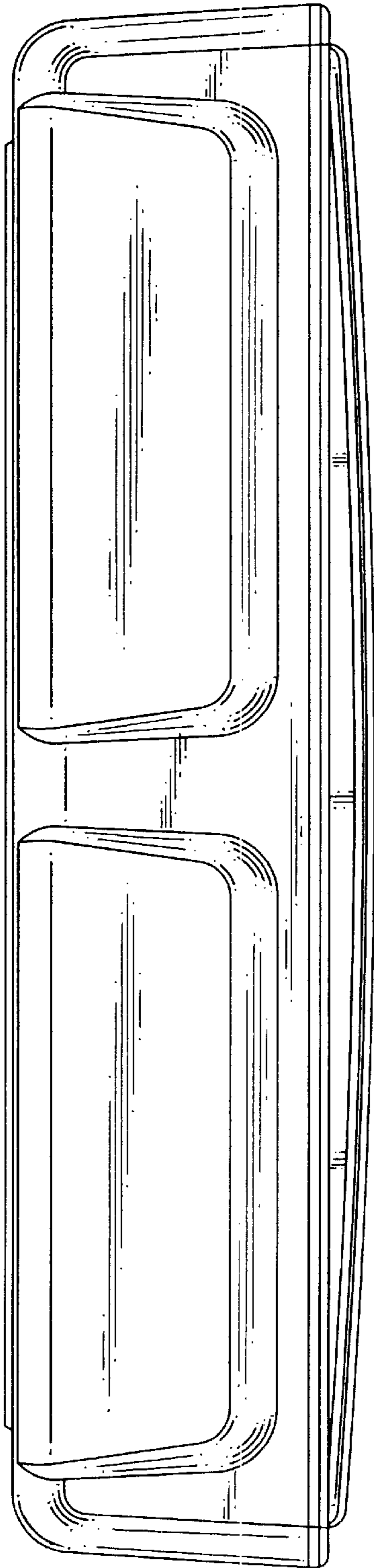


FIG. 5

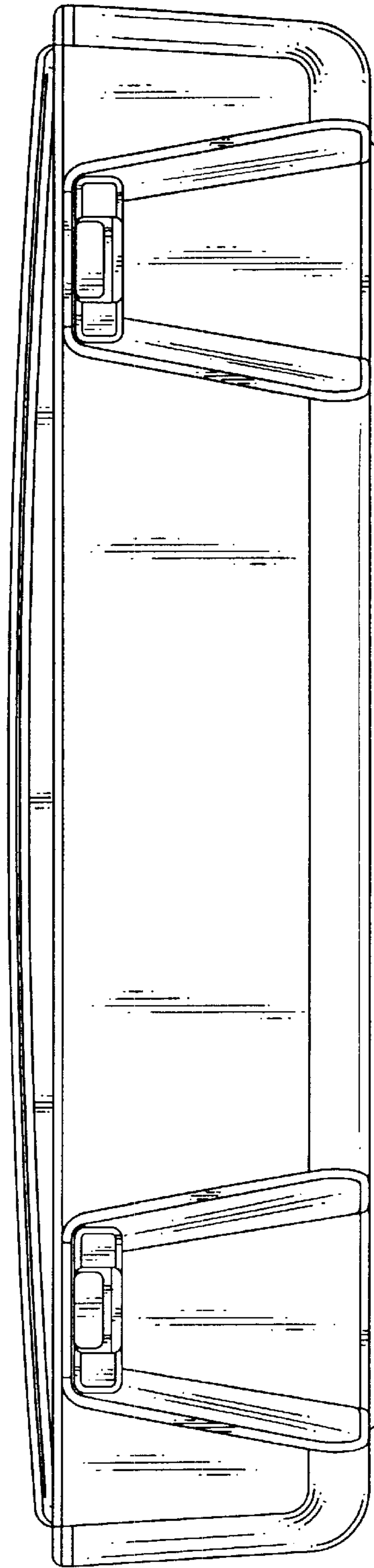


FIG. 6

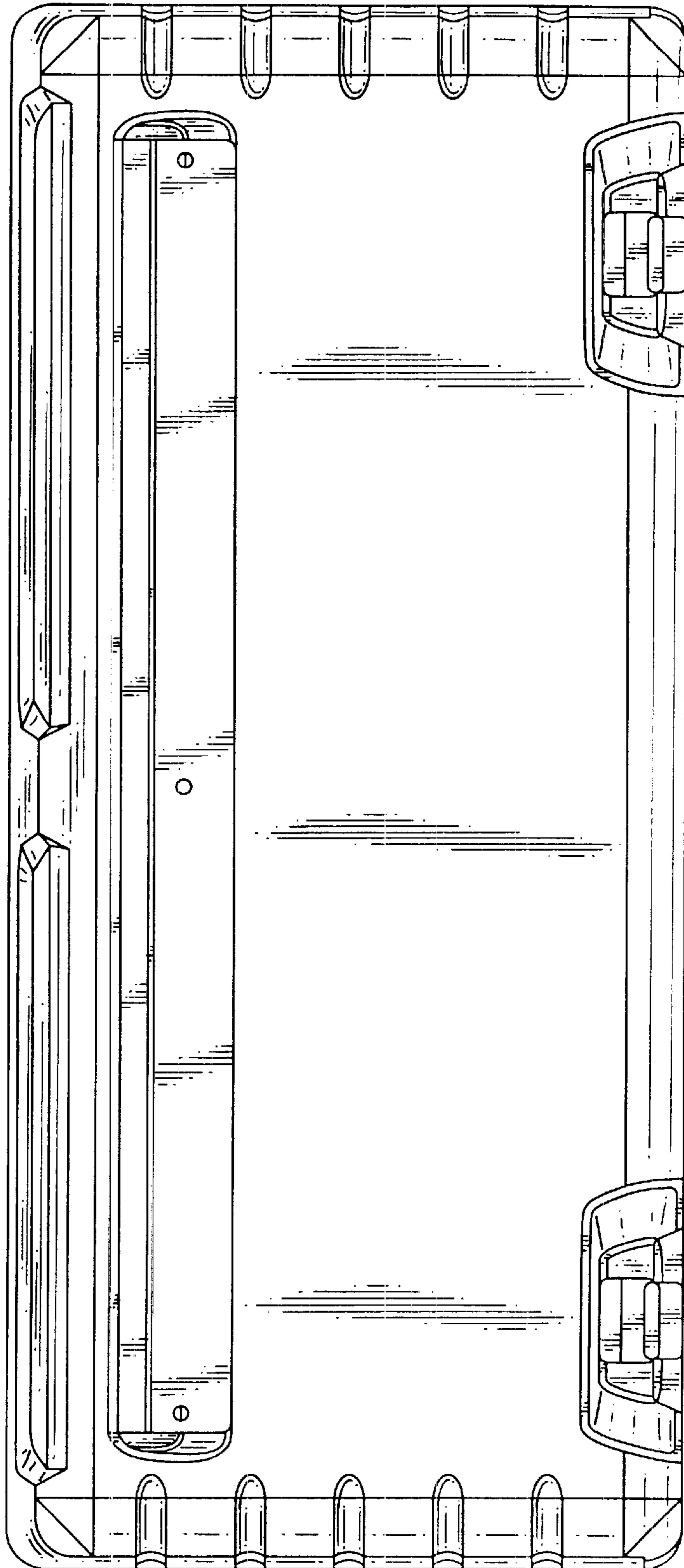


FIG. 7

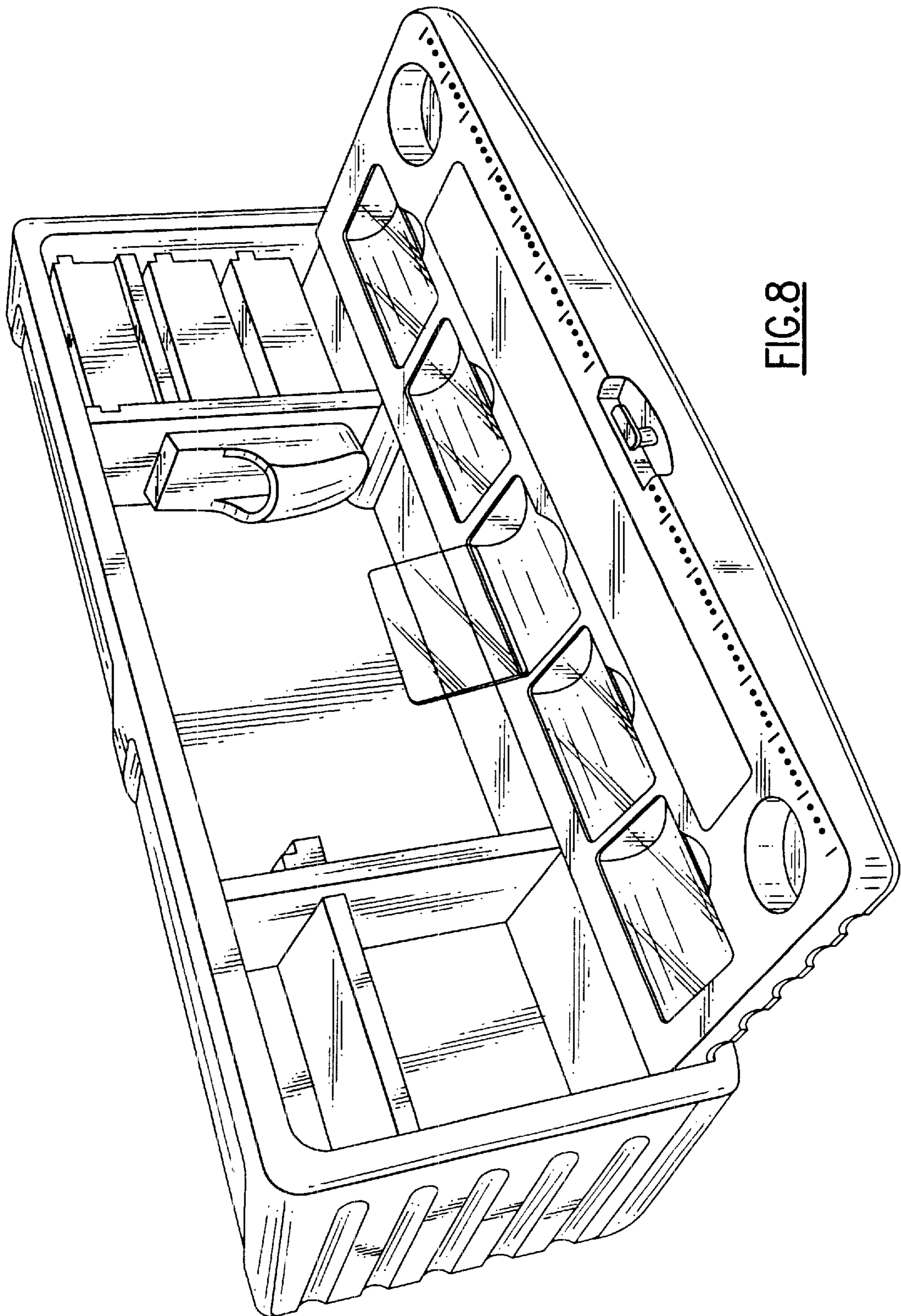


FIG. 8