



US00D484723S

(12) **United States Design Patent**  
**Snell**

(10) **Patent No.:** **US D484,723 S**

(45) **Date of Patent:** **\*\* Jan. 6, 2004**

(54) **BOWL BRUSH BASE**

(75) Inventor: **Russell Benton Snell**, Bentleyville, OH (US)

(73) Assignee: **InterDesign, Inc.**, Solon, OH (US)

(\*\*) Term: **14 Years**

(21) Appl. No.: **29/175,987**

(22) Filed: **Feb. 14, 2003**

(51) **LOC (7) Cl.** ..... **06-04**

(52) **U.S. Cl.** ..... **D6/551**

(58) **Field of Search** ..... D6/524, 551; 206/207, 206/209, 209.1, 349, 361, 362.2, 362.3, 15.1, 15.3; 312/206; 248/309.1

(56) **References Cited**

**U.S. PATENT DOCUMENTS**

D329,775 S	*	9/1992	Murphy	.....	D6/551
D393,167 S	*	4/1998	Bussa	.....	D6/527
D407,933 S	*	4/1999	Douglas	.....	D6/551
D453,888 S	*	2/2002	Gottwald	.....	D6/551
D458,068 S	*	6/2002	Hillman	.....	D6/551
D465,957 S	*	11/2002	Driscoll et al.	.....	D6/551
D467,112 S	*	12/2002	Lin	.....	D6/551
D467,457 S	*	12/2002	Lin	.....	D6/551

\* cited by examiner

*Primary Examiner*—Brian N. Vinson  
(74) *Attorney, Agent, or Firm*—D. Peter Hochberg; Katherine R. Vieyra; Sean Mellino

(57) **CLAIM**

The ornamental design for a bowl brush base, as shown and described.

**DESCRIPTION**

FIG. 1 is a perspective view of a brush base embodying this invention, with a phantom view of a brush handle extending from the base;

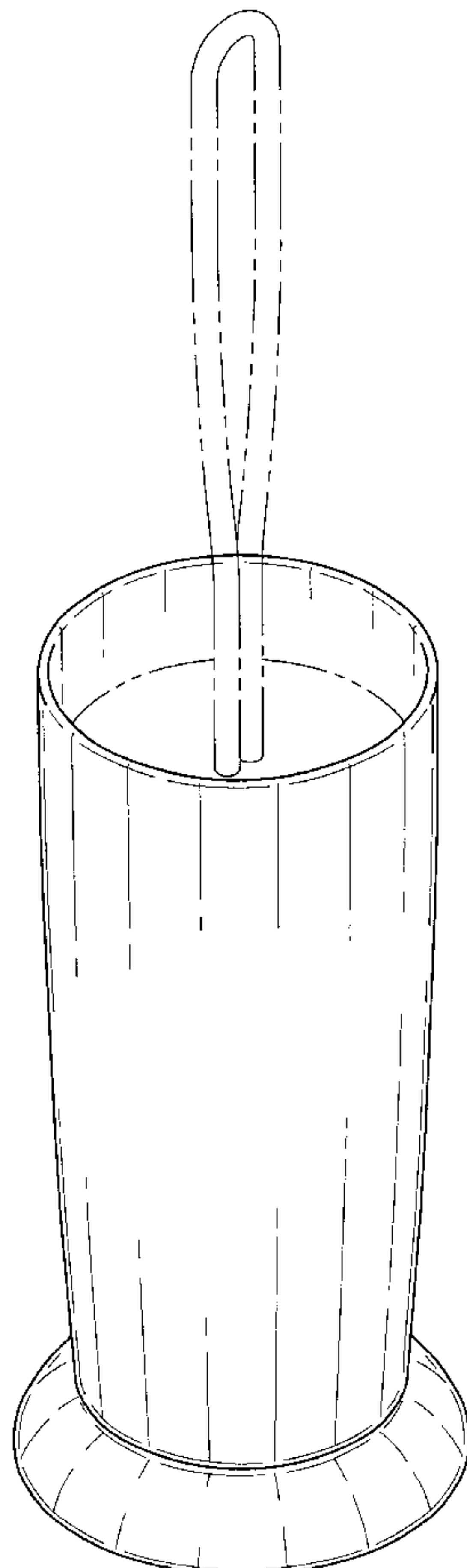
FIG. 2 is a top view of the brush base shown in FIG. 1, with a phantom view of the top of a brush within the base;

FIG. 3 is an elevation view of the brush base shown in FIG. 1, with a phantom view of a brush handle extending from the base;

FIG. 4 is a side elevation view of the brush base shown in FIG. 1, with a phantom view of a brush handle extending from the base; and,

FIG. 5 is a bottom view of the brush base shown in FIG. 1. The partial broken-line disclosure of the brush in the views is for illustrative purposes only and forms no part of the claimed design.

**1 Claim, 3 Drawing Sheets**



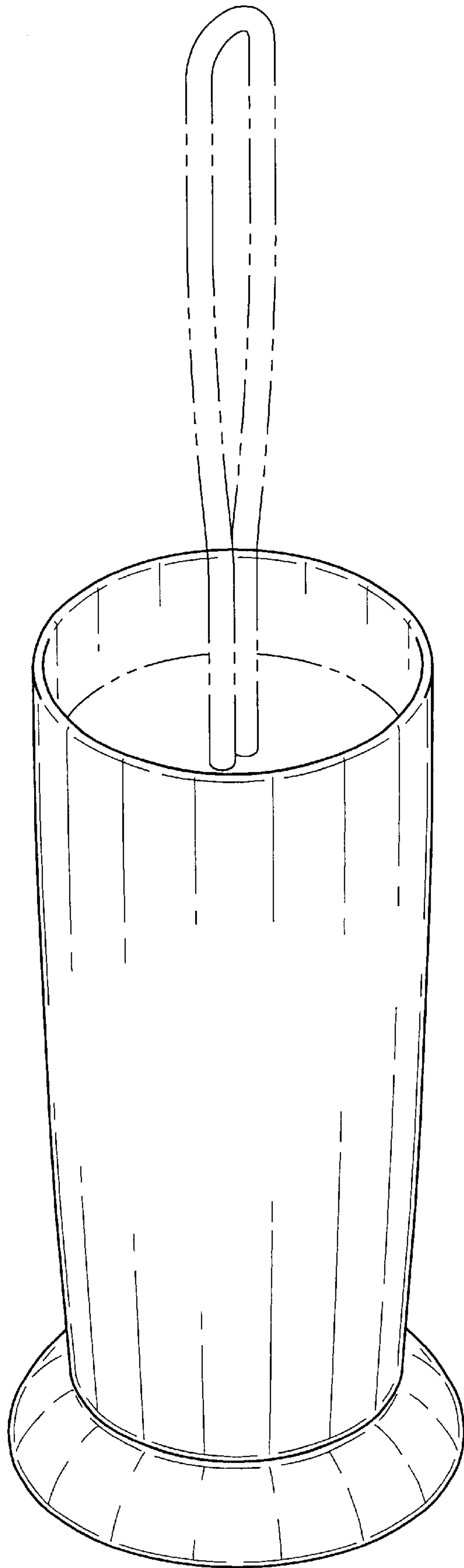


FIG-1

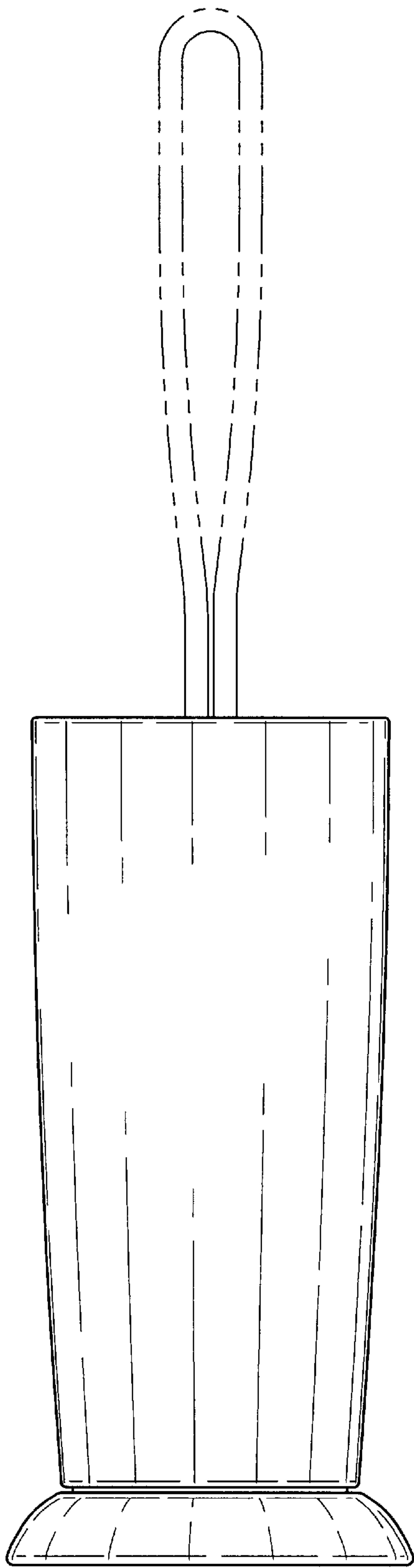


FIG-3

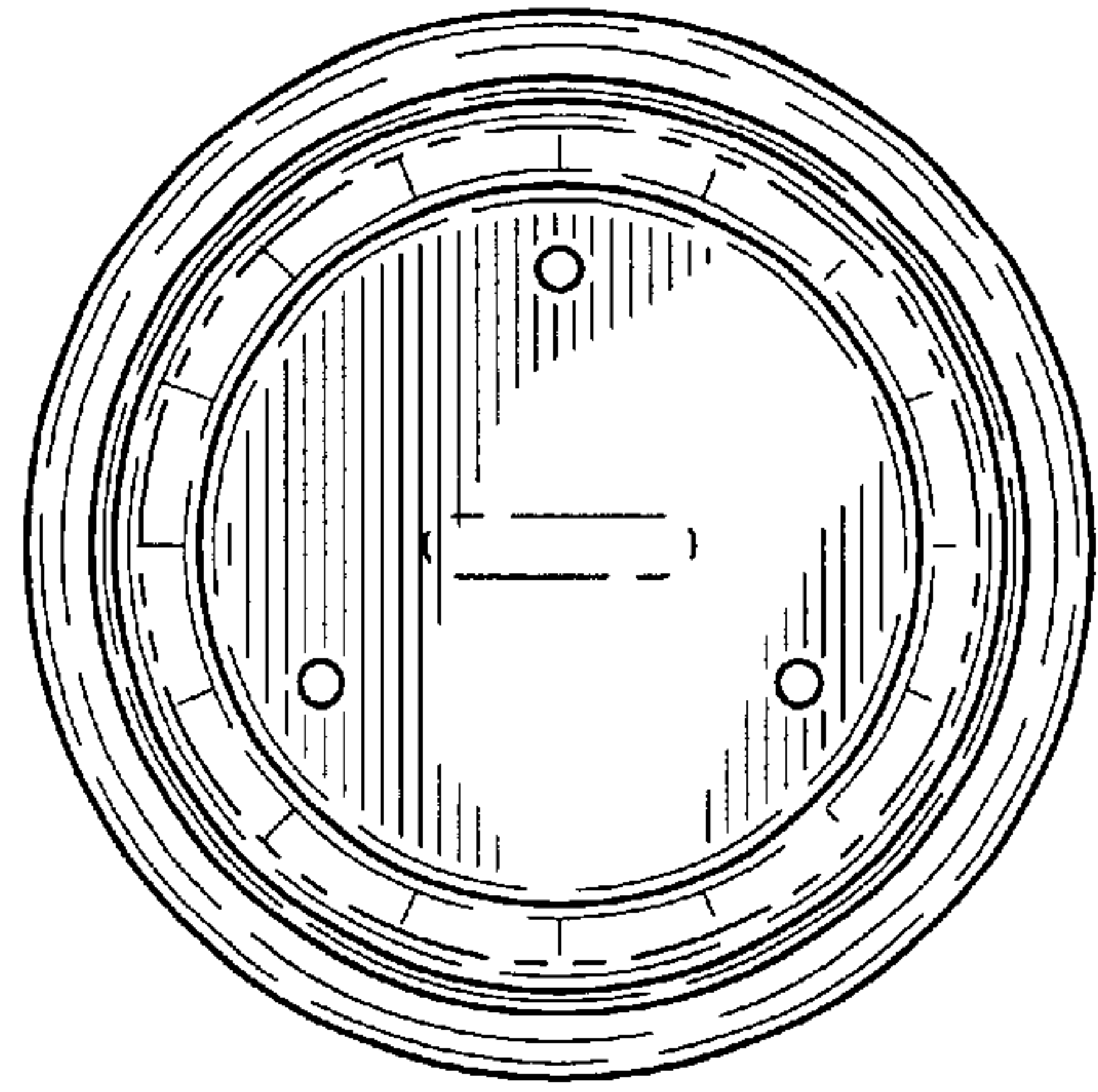


FIG-2

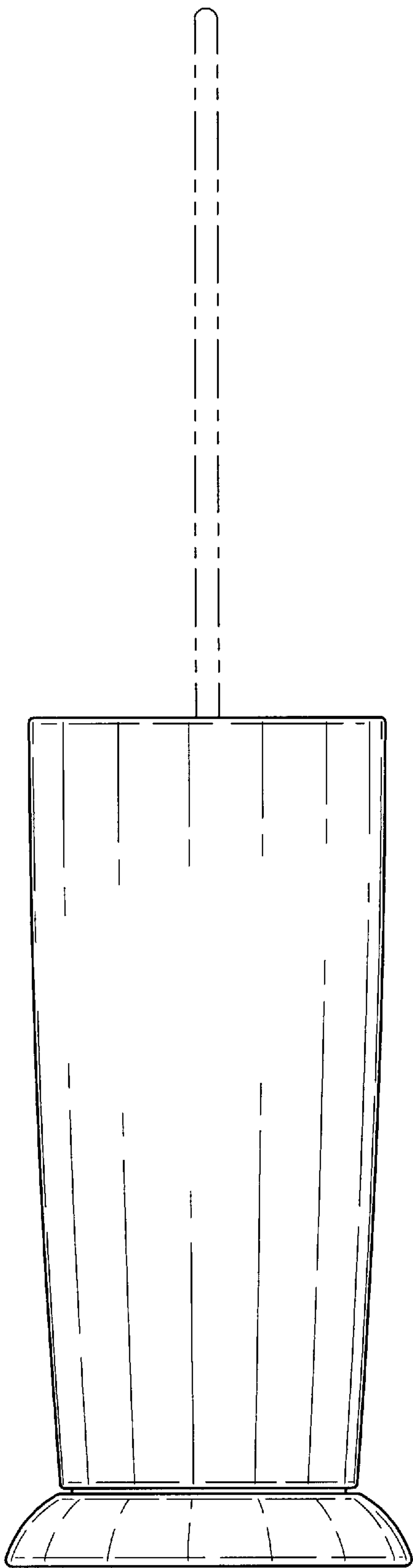


FIG-4

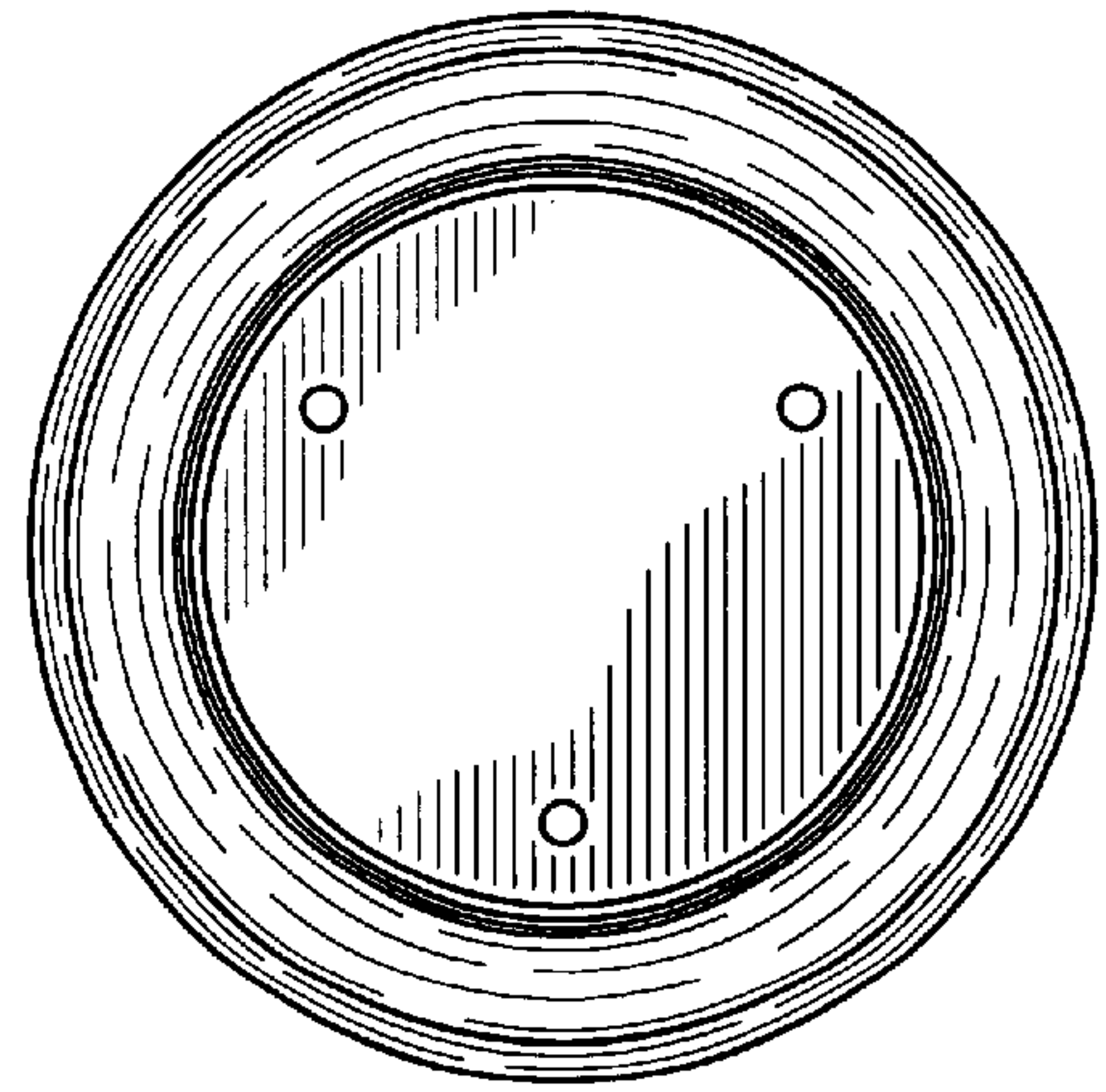


FIG-5