



US00D484720S

(12) **United States Design Patent**  
**Moore**

(10) **Patent No.:** **US D484,720 S**

(45) **Date of Patent:** **\*\* Jan. 6, 2004**

(54) **BATH ACCESSORY POST**

(75) Inventor: **Glenn D Moore**, Pompton Lakes, NJ (US)

(73) Assignee: **Bath Unlimited, Inc.**, Passaic, NJ (US)

(\*\*) Term: **14 Years**

(21) Appl. No.: **29/163,618**

(22) Filed: **Jul. 9, 2002**

(51) **LOC (7) Cl.** ..... **23-02**

(52) **U.S. Cl.** ..... **D6/524**

(58) **Field of Search** ..... D6/546-50, 518, D6/522-24; D8/300, 303, 315-21, 354, 363, 373, 380; 108/28-29; 211/13.1, 16, 60.1, 86.01, 87.01, 88.01, 88.04, 100, 105.1-105.2, 119.003, 123, 126.1, 133.6, 134, 181.1, 182; 248/175, 176.1, 200, 214, 251, 302, 309.1; 16/110.1, 412, 415; 242/570, 590, 595-598; 206/389, 557

(56) **References Cited**

**U.S. PATENT DOCUMENTS**

D431,948 S \* 10/2000 Chen ..... D6/524

D449,948 S \* 11/2001 Lai ..... D6/524  
D449,950 S \* 11/2001 Lai ..... D6/524  
D466,346 S \* 12/2002 Moore ..... D6/549  
D466,739 S \* 12/2002 Yen ..... D6/524

\* cited by examiner

*Primary Examiner*—Brian N. Vinson

(74) *Attorney, Agent, or Firm*—Edgar A. Zarins; Lloyd D. Doigan

(57) **CLAIM**

The ornamental design for a bath accessory post, as shown and described.

**DESCRIPTION**

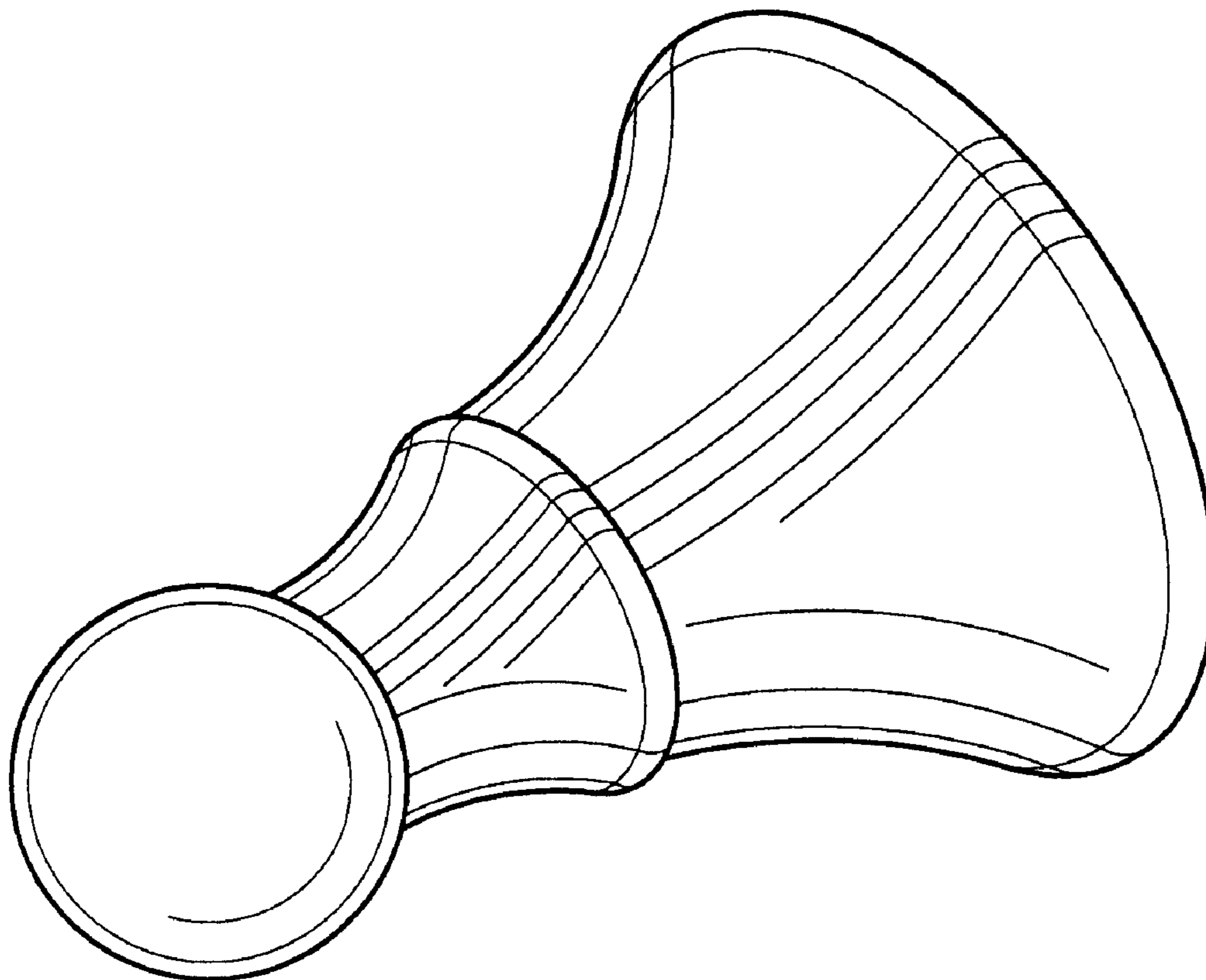
FIG. 1 is a perspective view of a bath accessory post showing my new design;

FIG. 2 is a side view thereof;

FIG. 3 is a front elevational view thereof; and,

FIG. 4 is a rear view thereof.

**1 Claim, 2 Drawing Sheets**



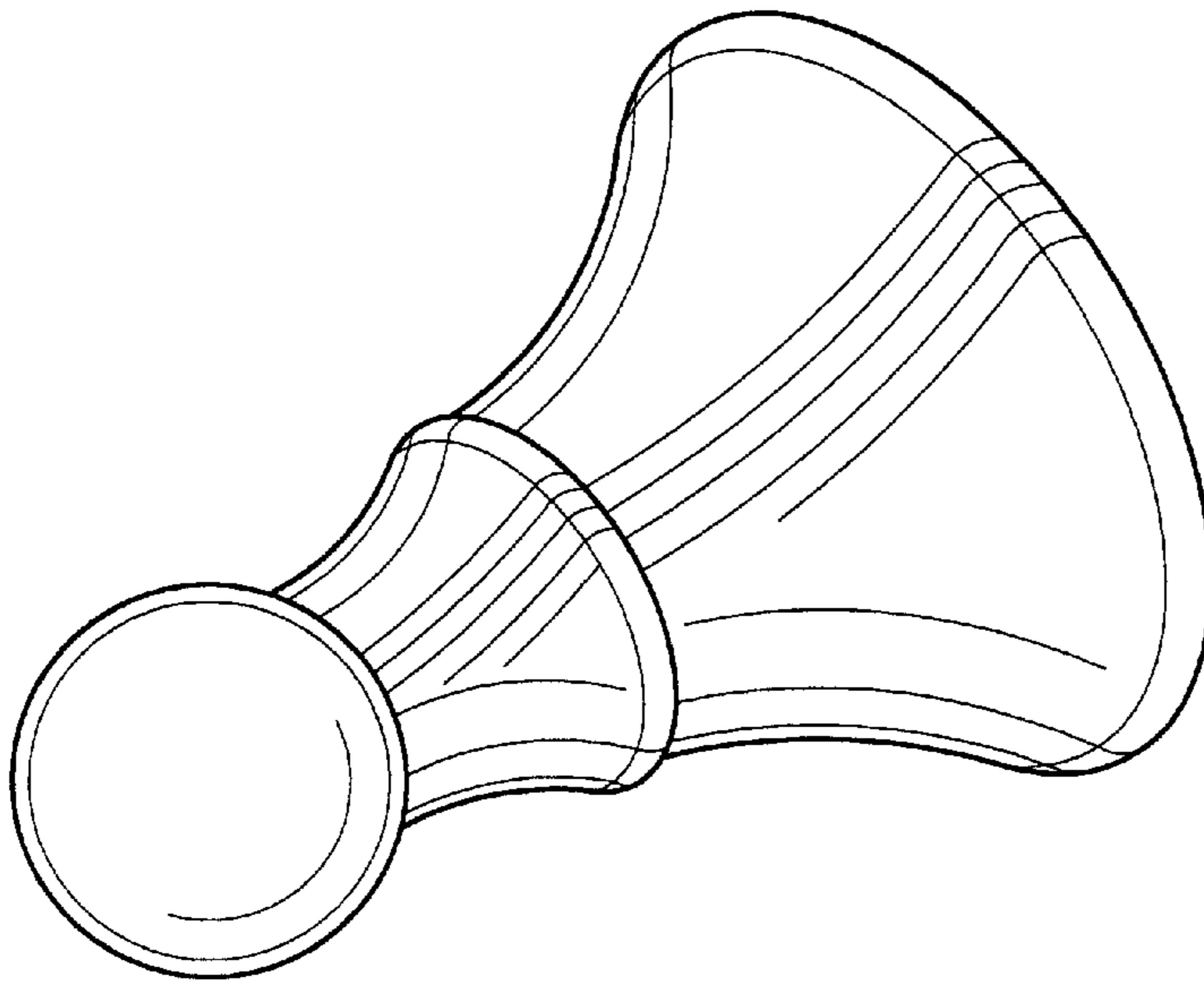


Fig-1

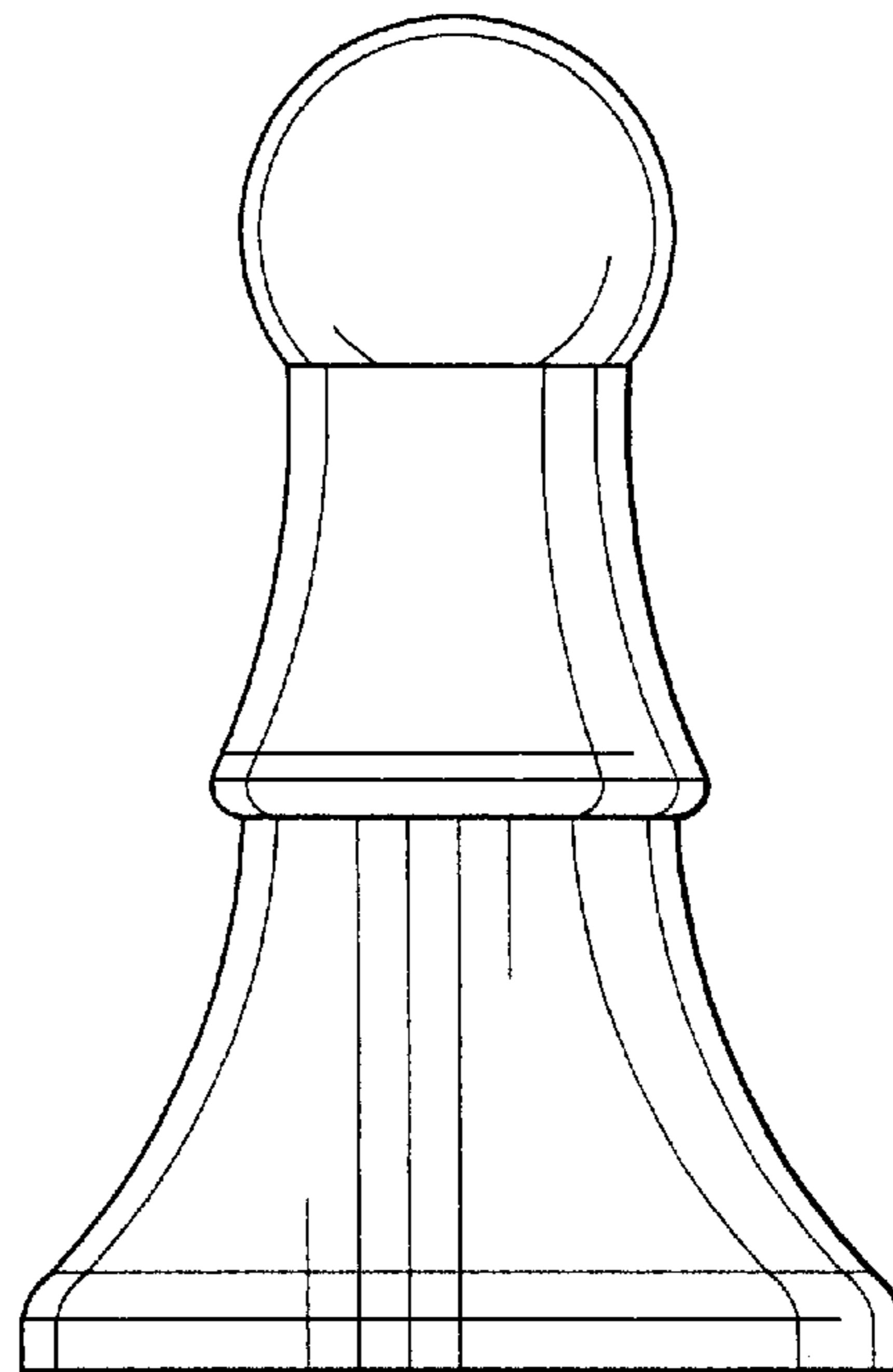


Fig-2

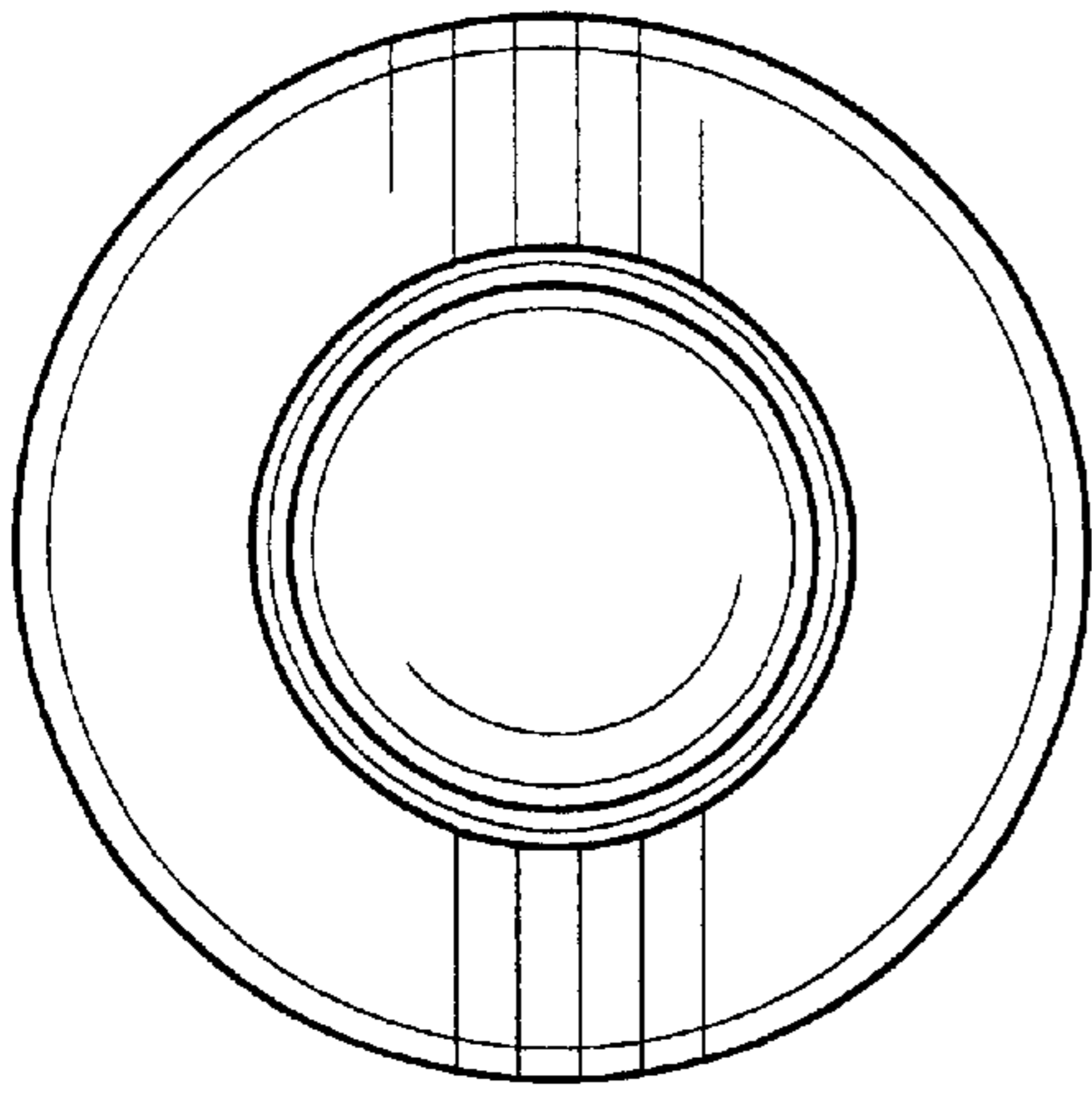


Fig-3

Fig-4

