



US00D484718S

(12) **United States Design Patent**
Sulzer

(10) **Patent No.:** **US D484,718 S**

(45) **Date of Patent:** **** Jan. 6, 2004**

(54) **SWIVEL BASE FOR A CHAIR STOOL**

D260,056 S * 8/1981 Sapper D6/366
D266,803 S * 11/1982 Fear D6/366

(75) Inventor: **James H. Sulzer**, Cedarburg, WI (US)

* cited by examiner

(73) Assignee: **L. & P. Property Management Company**, South Gate, CA (US)

Primary Examiner—Gary D. Watson
(74) *Attorney, Agent, or Firm*—Conley Rose, P.C.

(**) Term: **14 Years**

(57) **CLAIM**

(21) Appl. No.: **29/169,584**

The ornamental design for a swivel base for a chair stool, as shown and described.

(22) Filed: **Oct. 23, 2002**

DESCRIPTION

(51) **LOC (7) Cl.** **06-01**

(52) **U.S. Cl.** **D6/498**

(58) **Field of Search** D6/334, 335, 364,
D6/365, 366, 367, 498, 500, 501, 502;
248/188, 188.1, 188.7, 188.8, 188.9; 297/344.18,
463.1

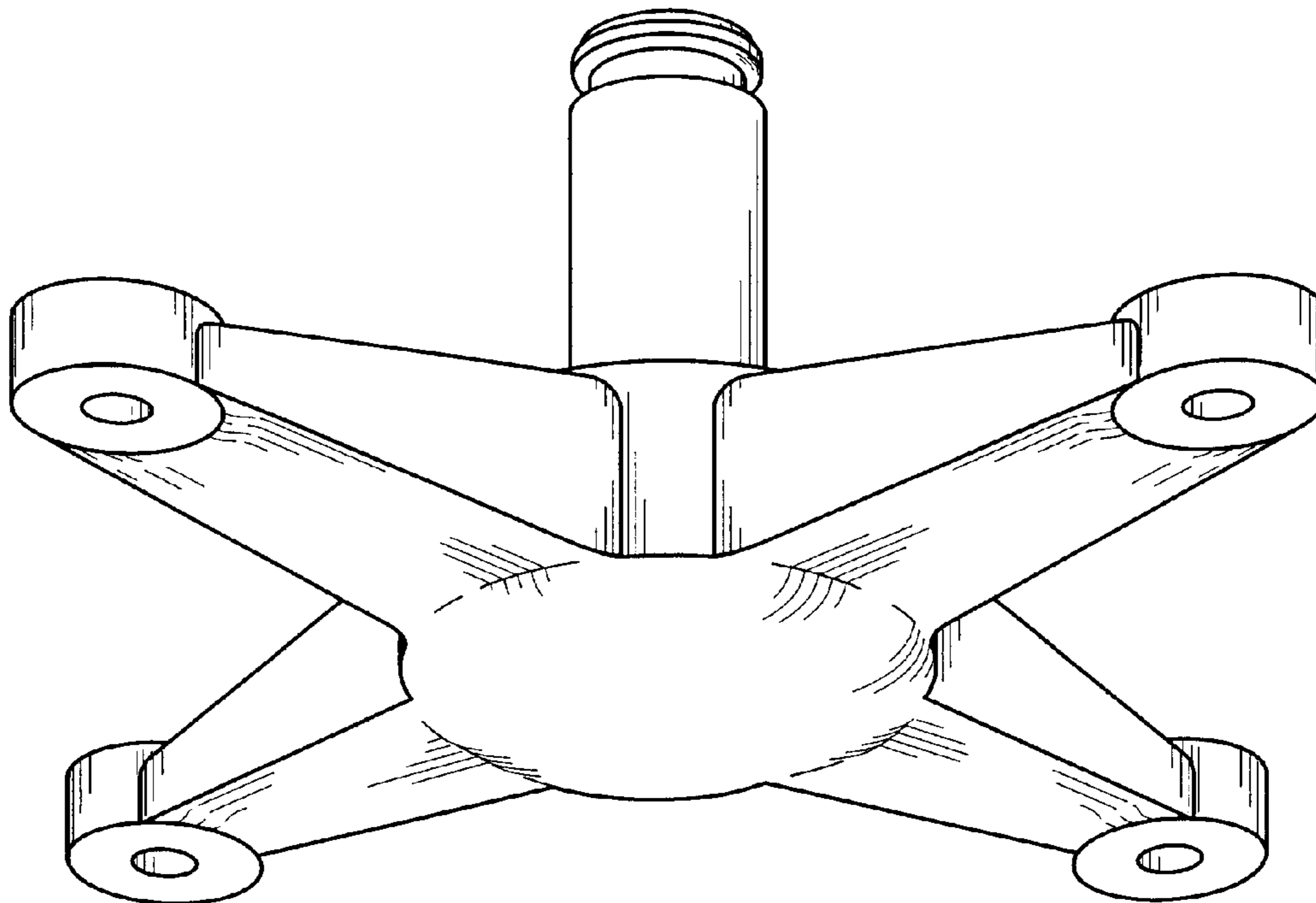
FIG. 1 is a bottom perspective view of a swivel base of the new design.
FIG. 2 is a top plan view of the swivel base of the new design.
FIG. 3 is a front elevational view of the swivel base of the new design with the rear elevational view being identical thereto; and,
FIG. 4 is a left side elevational view of the swivel base of the new design with the right side elevational view being identical thereto.

(56) **References Cited**

U.S. PATENT DOCUMENTS

D152,648 S * 2/1949 Penchoen D6/498
D184,497 S * 2/1959 McKinley D6/498
D228,536 S * 10/1973 Sottsass, Jr. D6/366

1 Claim, 2 Drawing Sheets



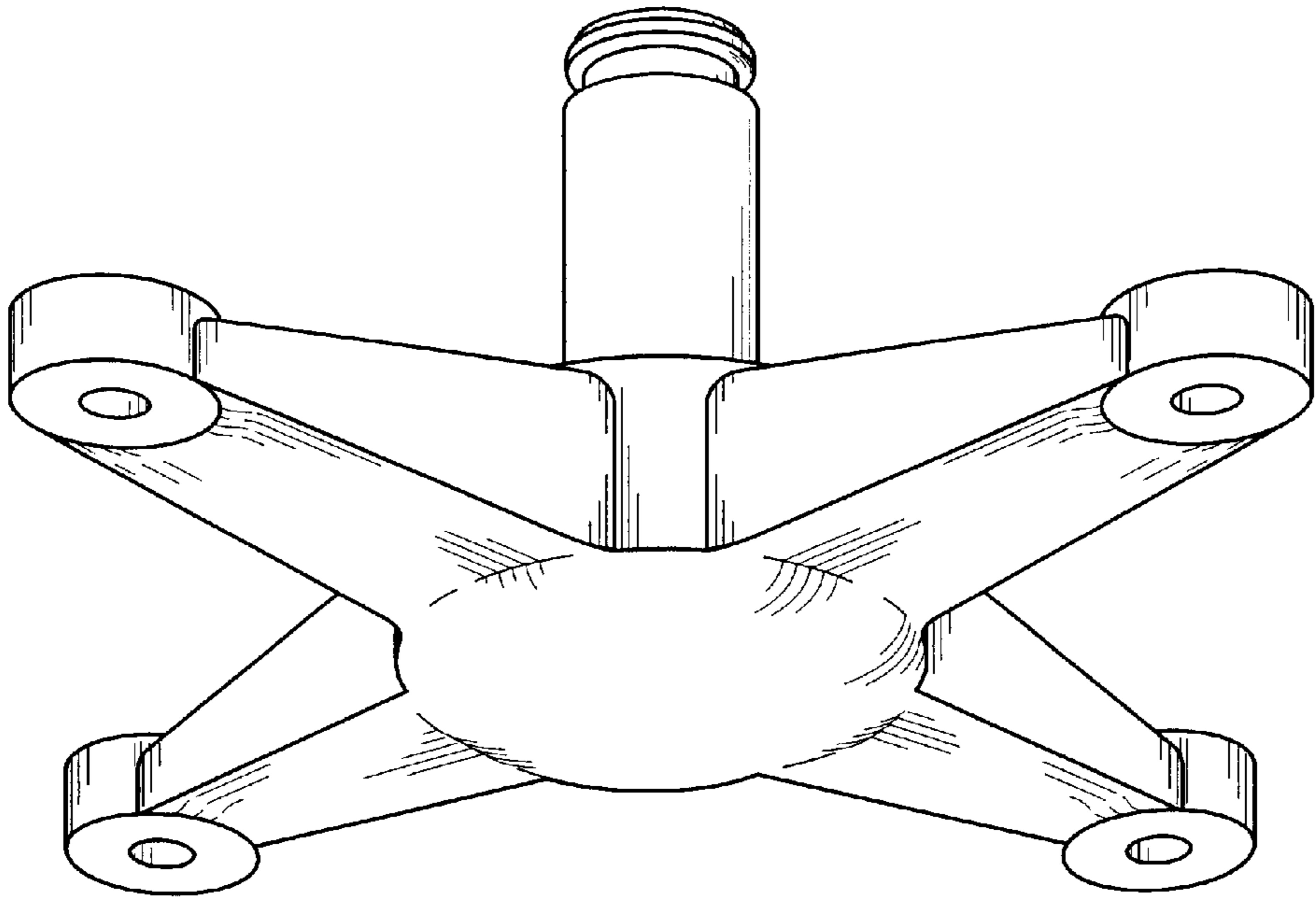


FIG. 1

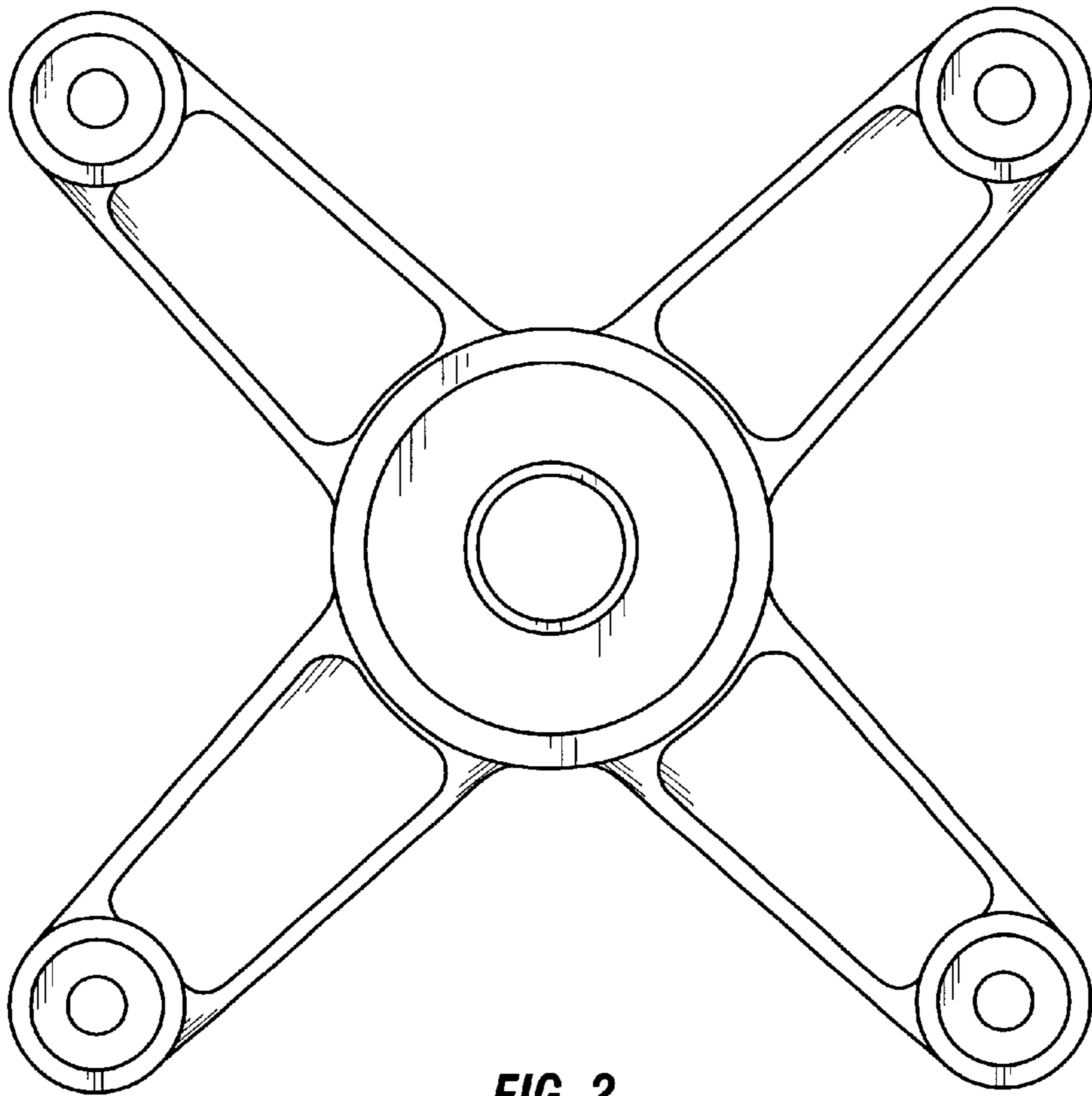


FIG. 2

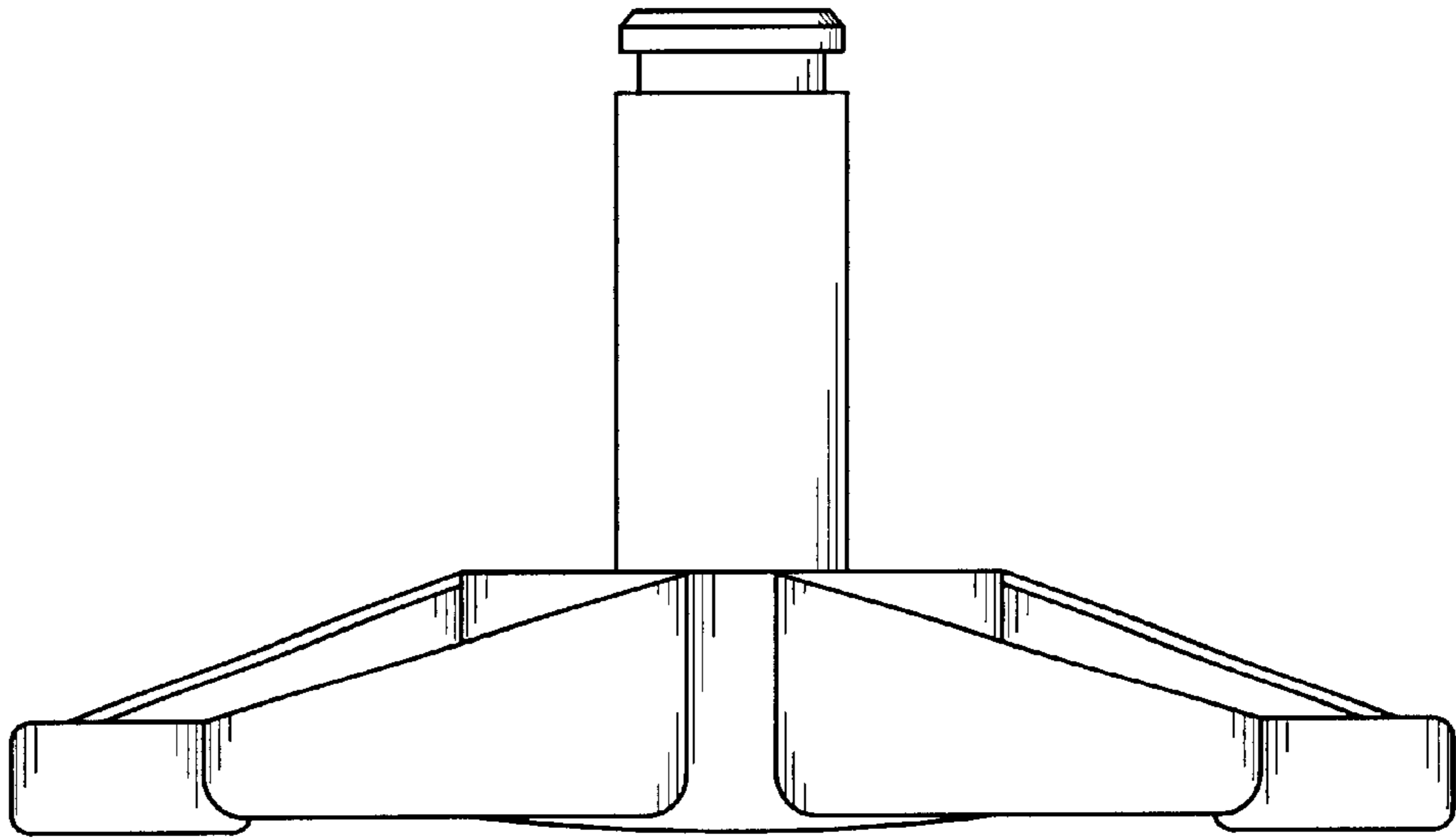


FIG. 3

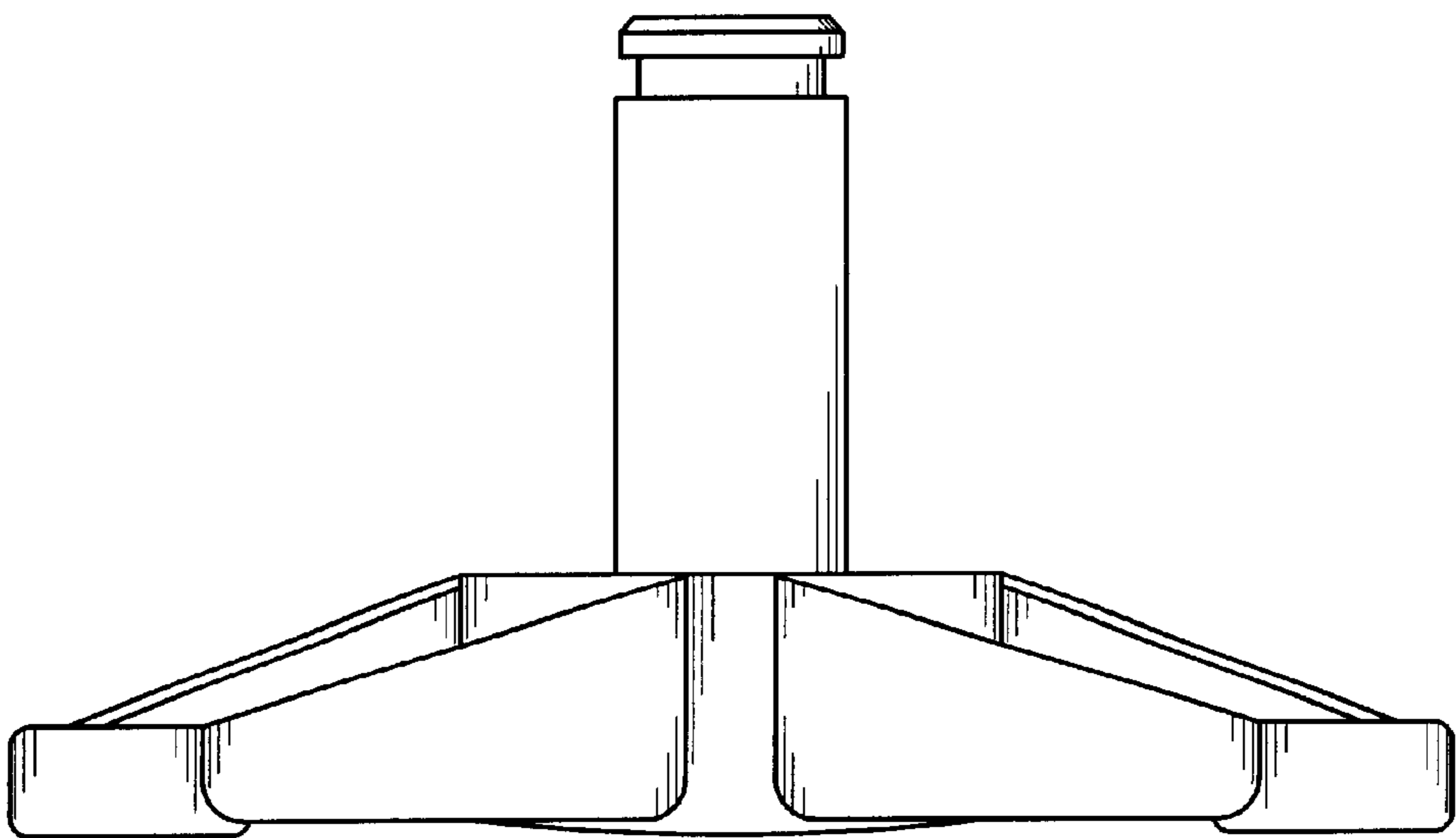


FIG. 4