



US00D484717S

(12) **United States Design Patent**
de Blois

(10) **Patent No.:** **US D484,717 S**

(45) **Date of Patent:** **** Jan. 6, 2004**

(54) **TABLE**

(75) Inventor: **Martin de Blois**, Chicago, IL (US)

(73) Assignee: **Baronet, Inc.** (CA)

(**) Term: **14 Years**

(21) Appl. No.: **29/178,172**

(22) Filed: **Mar. 21, 2003**

(51) **LOC (7) Cl.** **06-03**

(52) **U.S. Cl.** **D6/484**

(58) **Field of Search** D6/480-489, 429-431,
D6/511, 495; 105/153.1, 155, 156, 161,
157.1; 248/188, 188.1, 188.8

(56) **References Cited**

U.S. PATENT DOCUMENTS

D132,287 S	*	6/1942	Cooper	D6/484
D188,900 S	*	9/1960	Knoll	D6/484
D425,335 S	*	5/2000	Newhouse	D6/484
D453,083 S	*	1/2002	Hokanson	D6/484

* cited by examiner

Primary Examiner—Janice E. Seeger

(74) *Attorney, Agent, or Firm*—SAIDMAN DesignLaw Group

(57) **CLAIM**

The ornamental design for a table, as shown and described.

DESCRIPTION

FIG. 1 is a perspective view of a first embodiment of a table showing my new design (the shading is not intended to indicate anything in particular);

FIG. 2 is a top view thereof;

FIG. 3 is a front view thereof, the rear view being identical;

FIG. 4 is a right-side view thereof, the left-side view being identical;

FIG. 5 is a perspective view of a second embodiment thereof (the shading is not intended to indicate anything in particular);

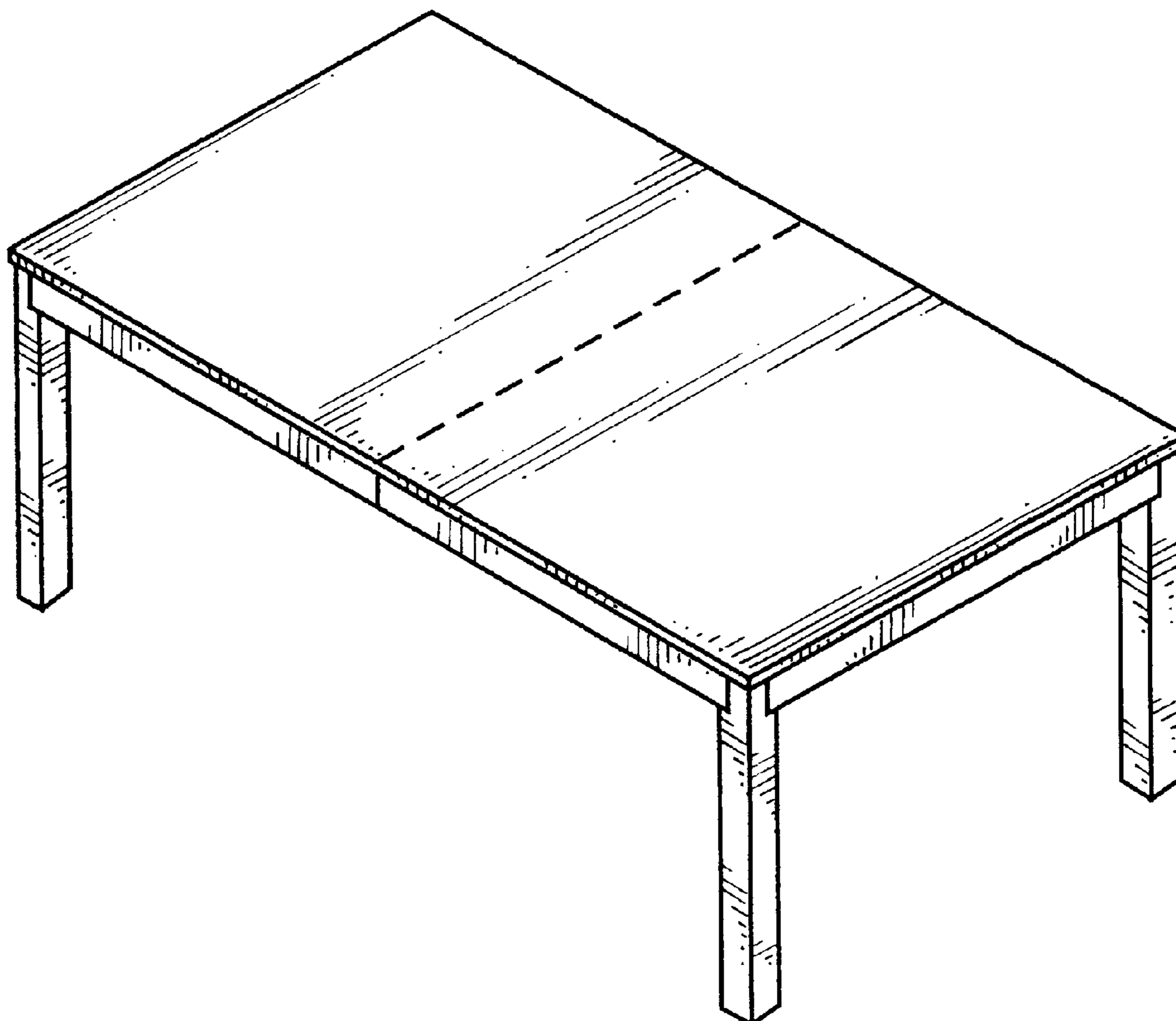
FIG. 6 is a top view thereof;

FIG. 7 is a front view thereof, the rear view being identical; and,

FIG. 8 is a right-side view thereof, the left-side view being identical.

The broken lines in the drawings represent environmental subject matter and form no part of the claimed design.

1 Claim, 8 Drawing Sheets



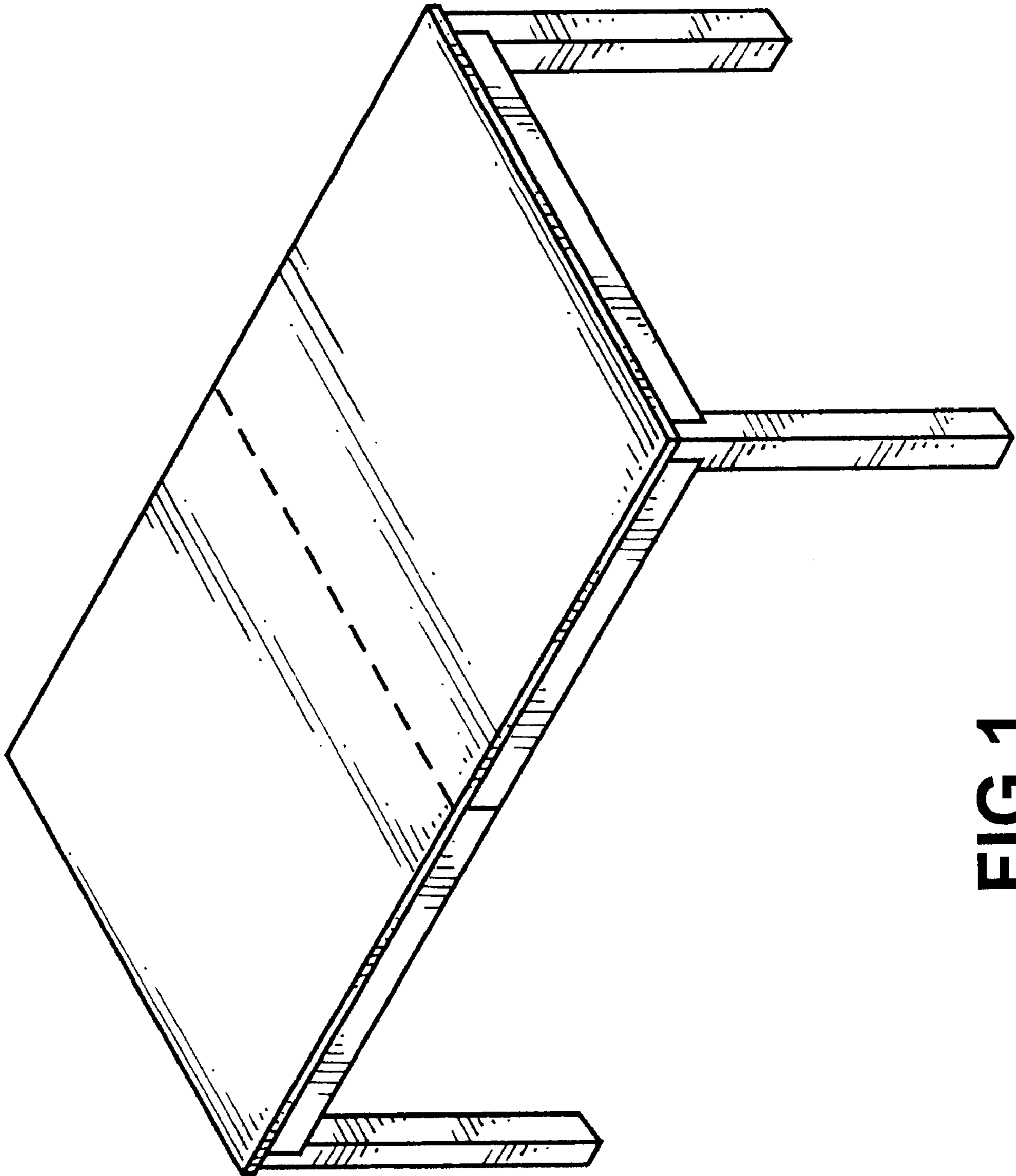


FIG.1

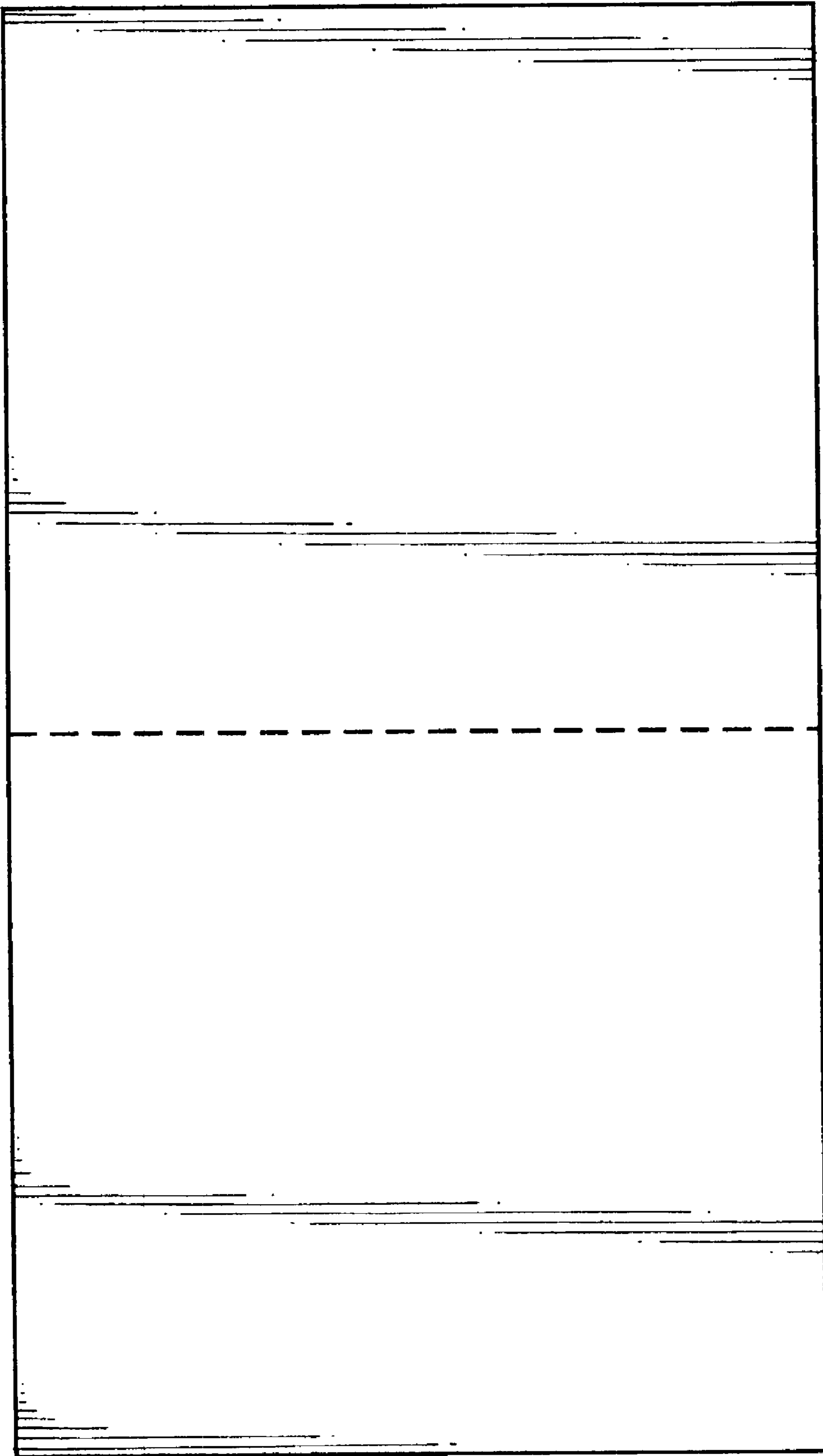


FIG.2

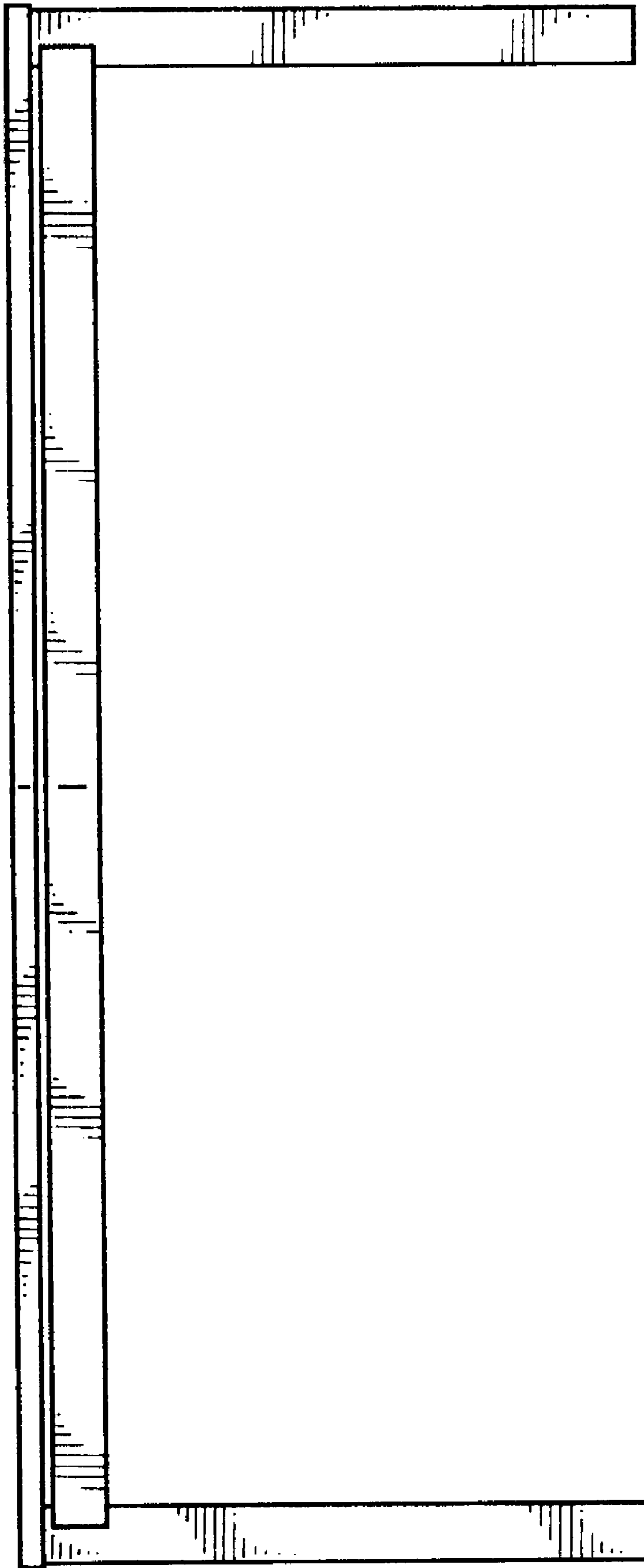


FIG. 3

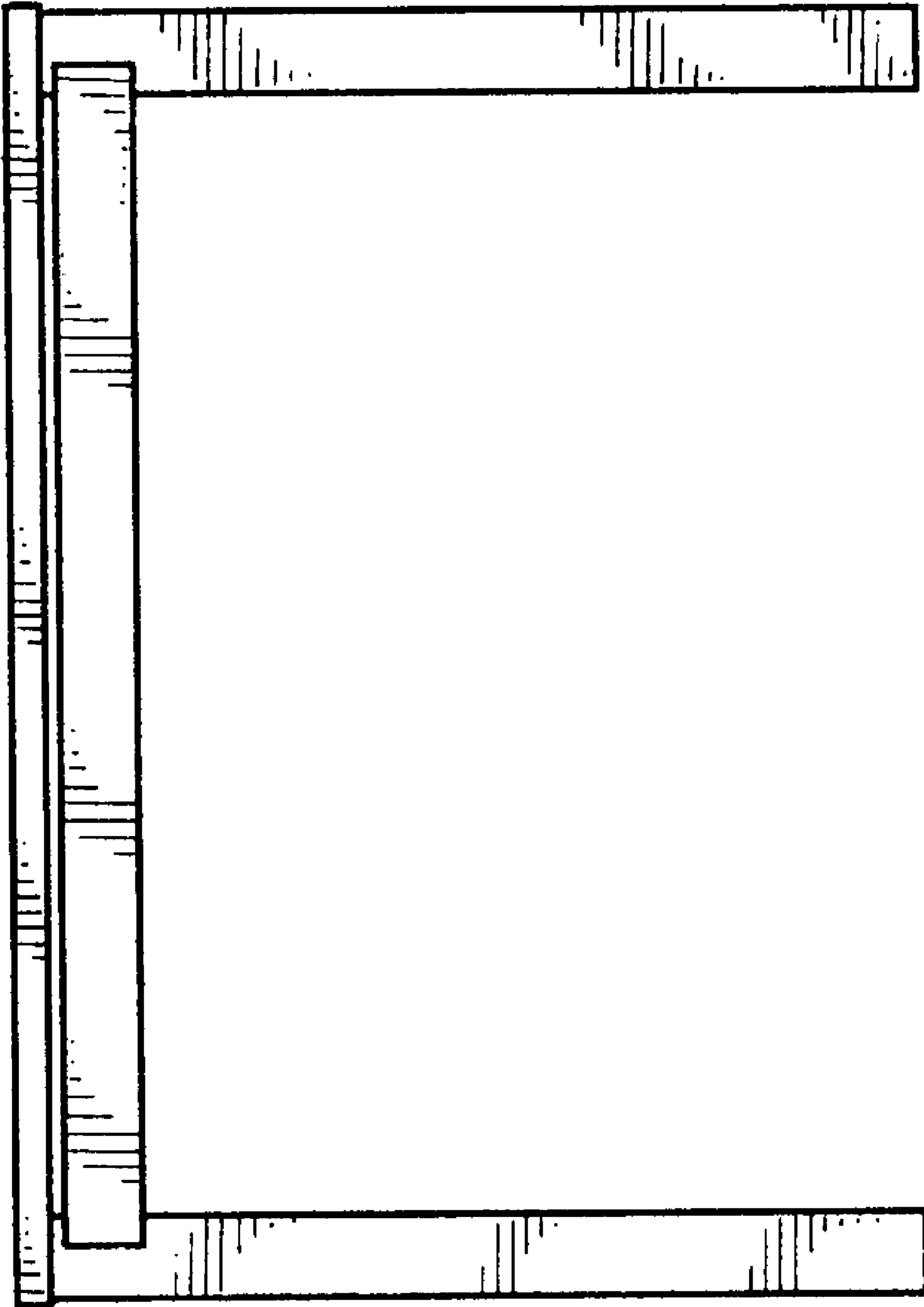


FIG. 4

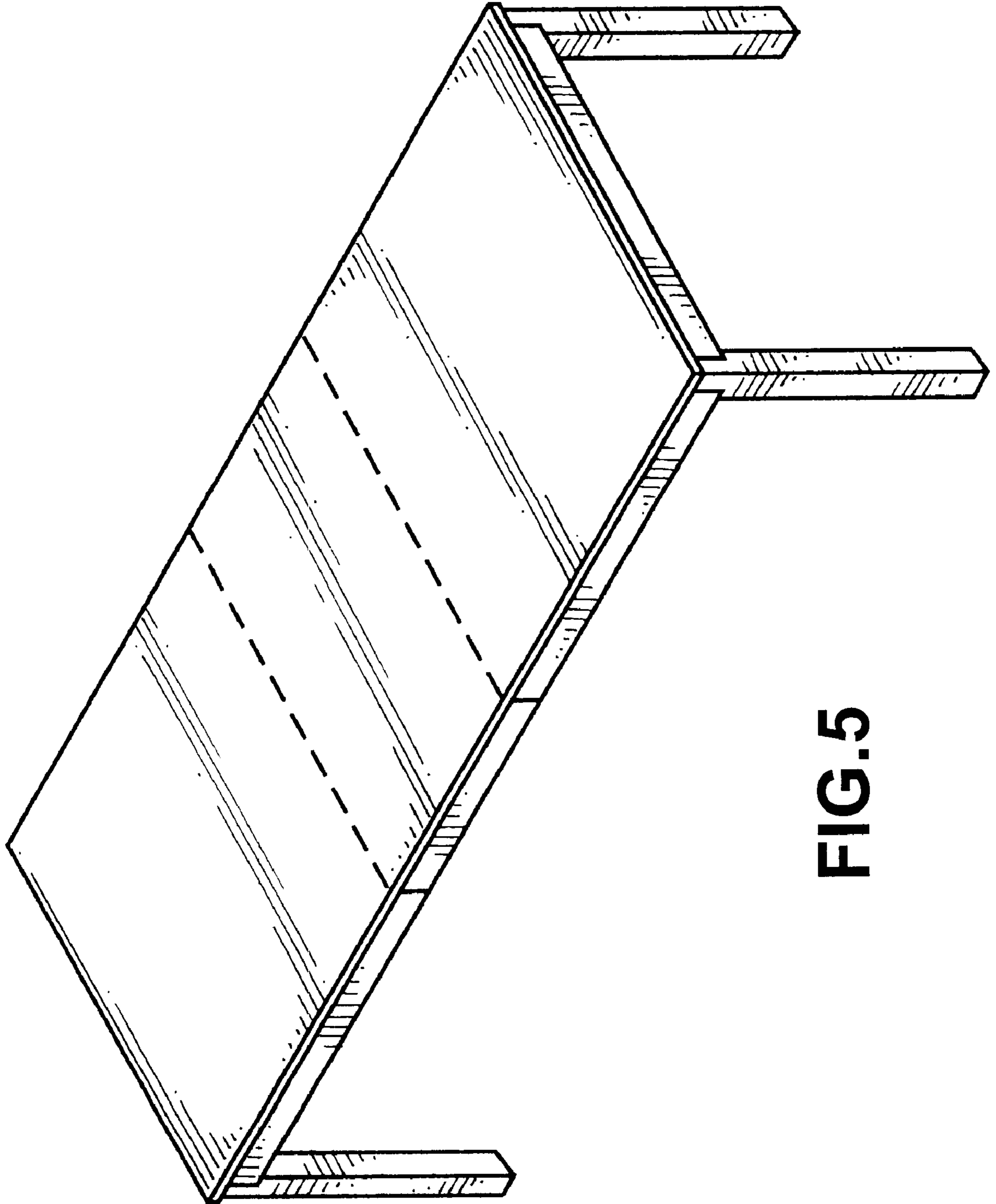


FIG. 5

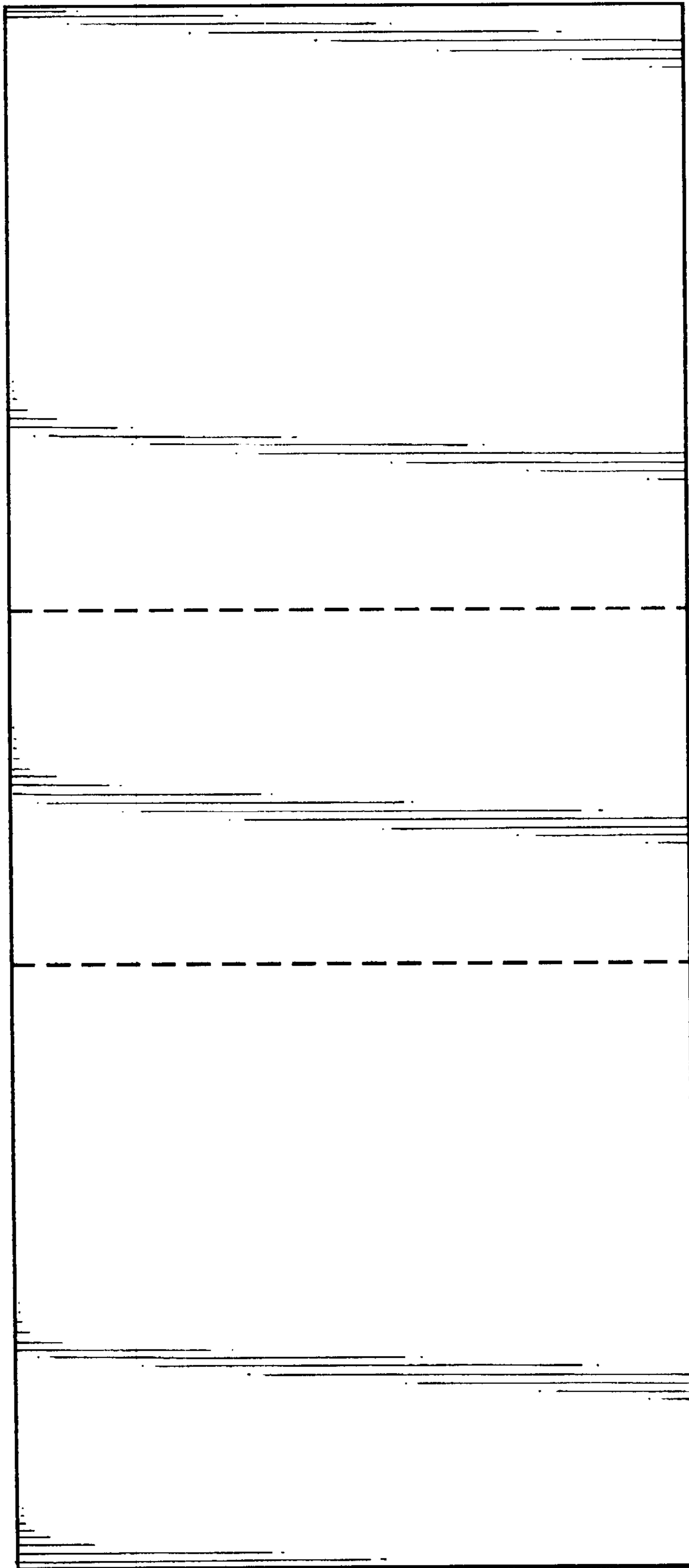


FIG. 6

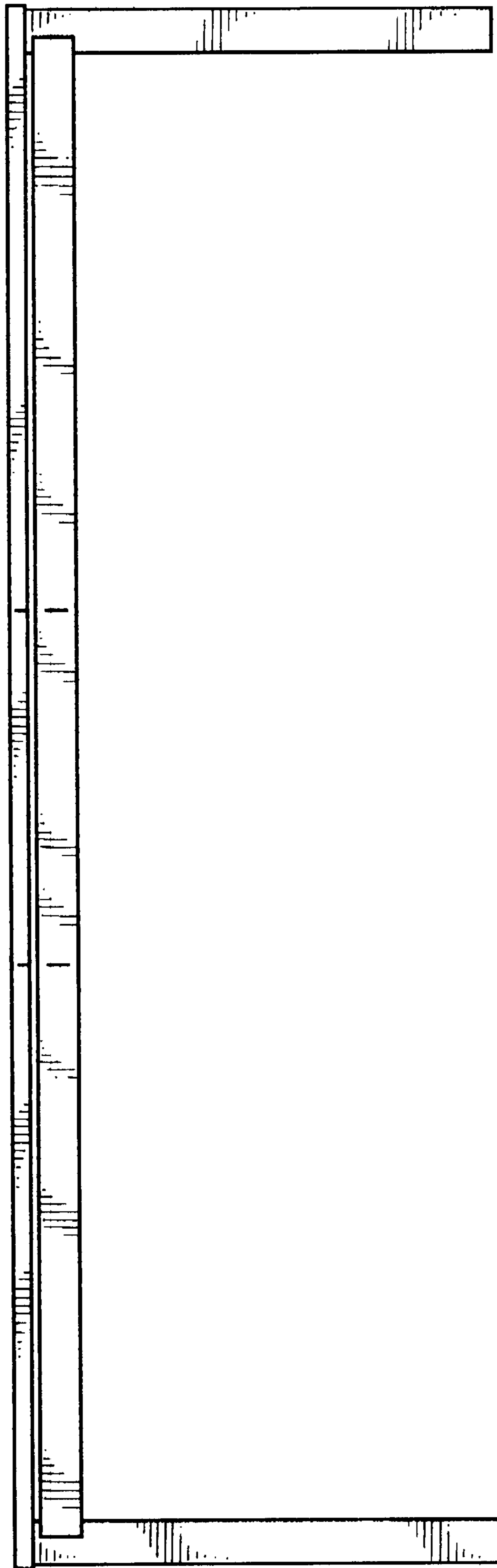


FIG. 7

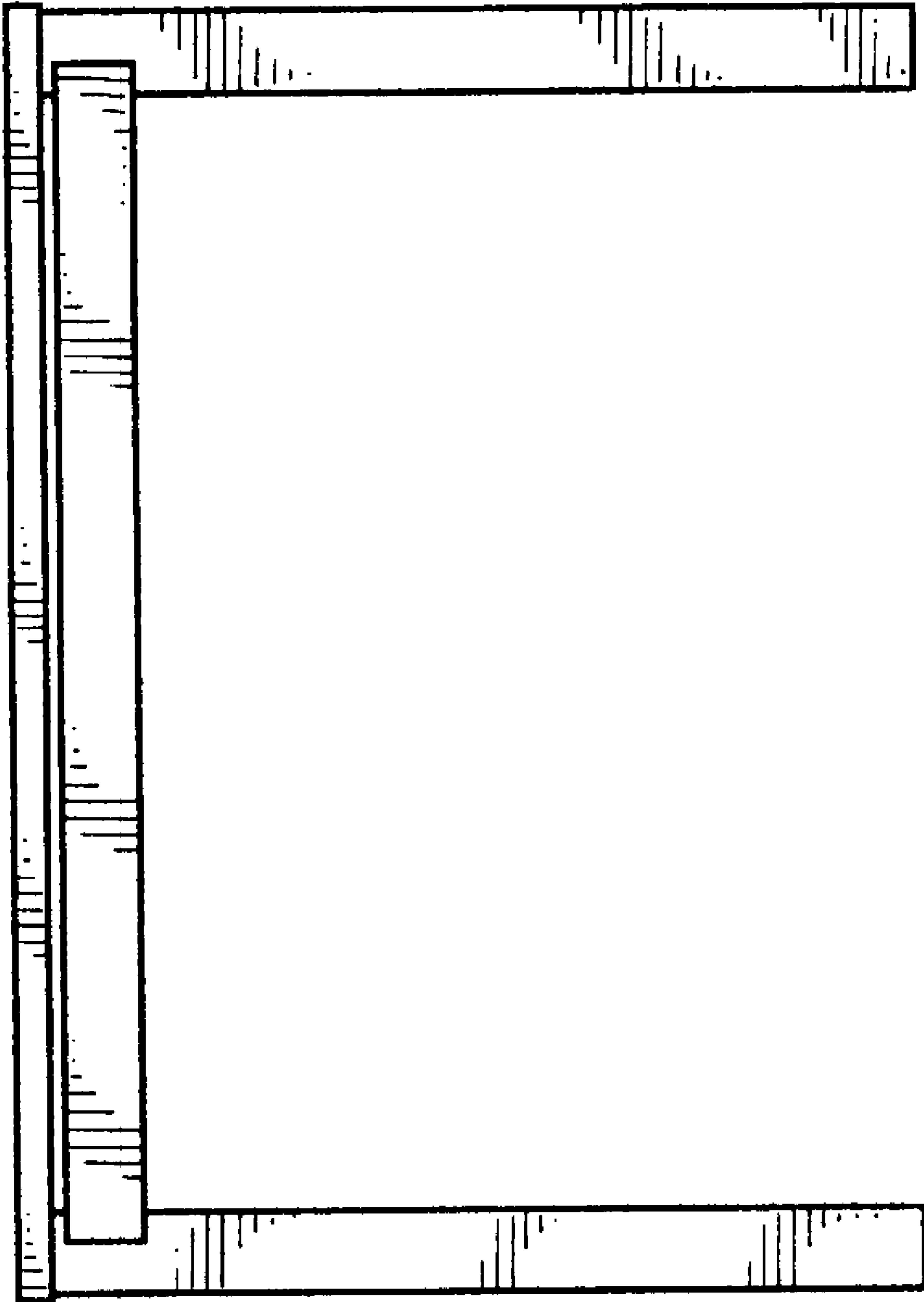


FIG. 8

UNITED STATES PATENT AND TRADEMARK OFFICE
CERTIFICATE OF CORRECTION

PATENT NO. : Des. 484,717 S
DATED : January 6, 2004
INVENTOR(S) : Martin de Blois

Page 1 of 1

It is certified that error appears in the above-identified patent and that said Letters Patent is hereby corrected as shown below:

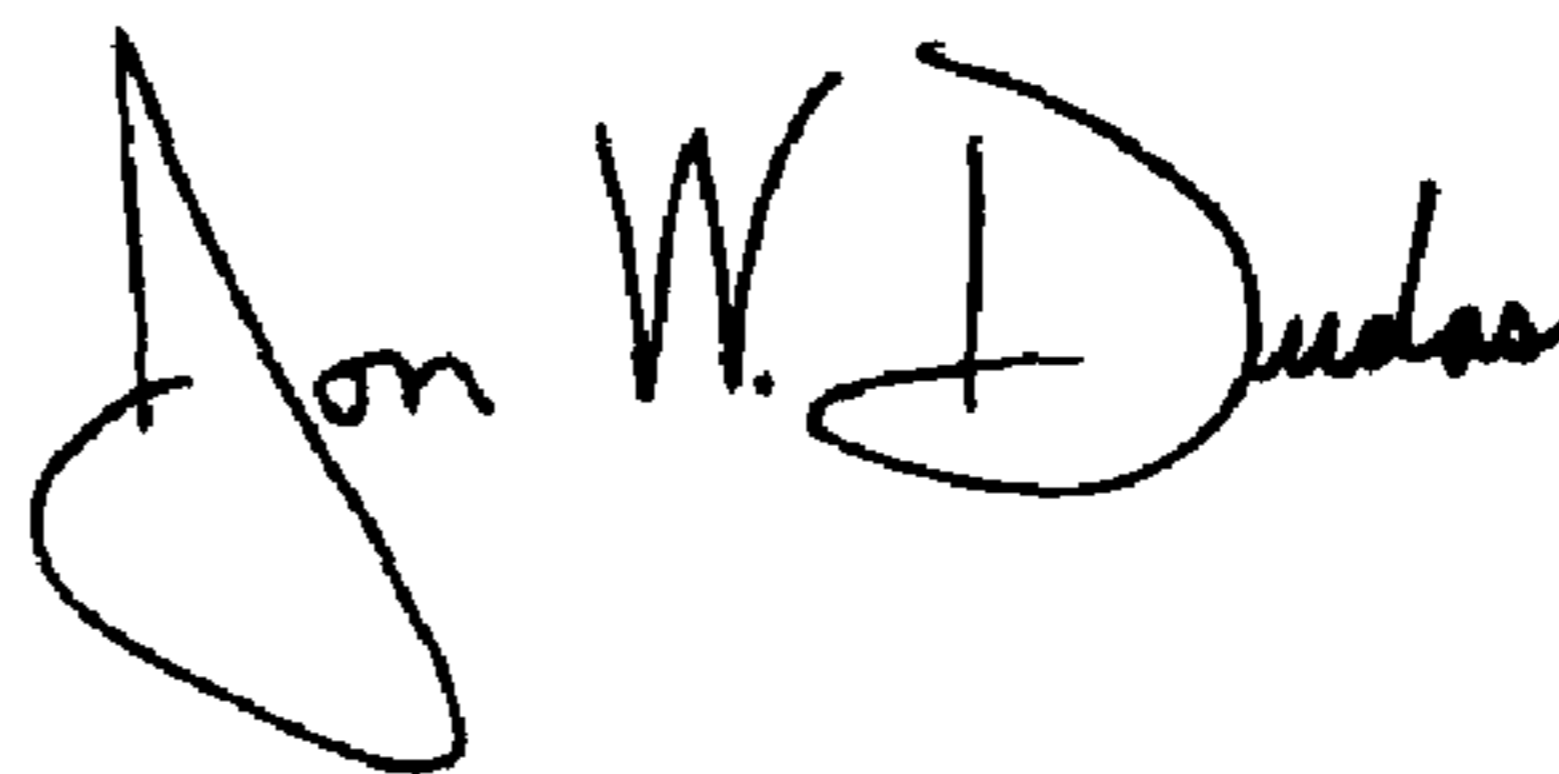
Title page,

Item [56], **References Cited**, U.S. PATENT DOCUMENTS , insert the following:

-- D132,875 6/1942 COOPER --

Signed and Sealed this

Eighteenth Day of May, 2004



JON W. DUDAS

Acting Director of the United States Patent and Trademark Office