



US00D484714S

(12) **United States Design Patent**  
**Que**

(10) **Patent No.:** **US D484,714 S**

(45) **Date of Patent:** **\*\* Jan. 6, 2004**

(54) **CONCRETE AND STEEL BENCH**

D340,591 S \* 10/1993 Lamalle ..... D6/381

(76) Inventor: **Pamela M. Que**, 15460 Dixie Hwy.,  
Holly, MI (US) 48442

\* cited by examiner

(\*\*) Term: **14 Years**

*Primary Examiner*—Gary D. Watson

(74) *Attorney, Agent, or Firm*—Young & Basile, P.C.

(21) Appl. No.: **29/168,557**

(57) **CLAIM**

(22) Filed: **Oct. 3, 2002**

The ornamental design for a concrete and steel bench, as shown and described.

(51) **LOC (7) Cl.** ..... **06-01**

**DESCRIPTION**

(52) **U.S. Cl.** ..... **D6/381**

(58) **Field of Search** ..... D6/334, 335, 336,  
D6/363, 374, 376, 381, 500, 501, 502;  
297/232

FIG. 1 is a perspective view showing my new design of a concrete and steel bench;

FIG. 2 is a top plan view thereof;

FIG. 3 is a front elevational view thereof;

FIG. 4 is a bottom plan view thereof;

FIG. 5 is a rear elevational view thereof; and,

FIG. 6 is a left side elevational view thereof, which is the mirror image of the right side of the concrete and steel bench.

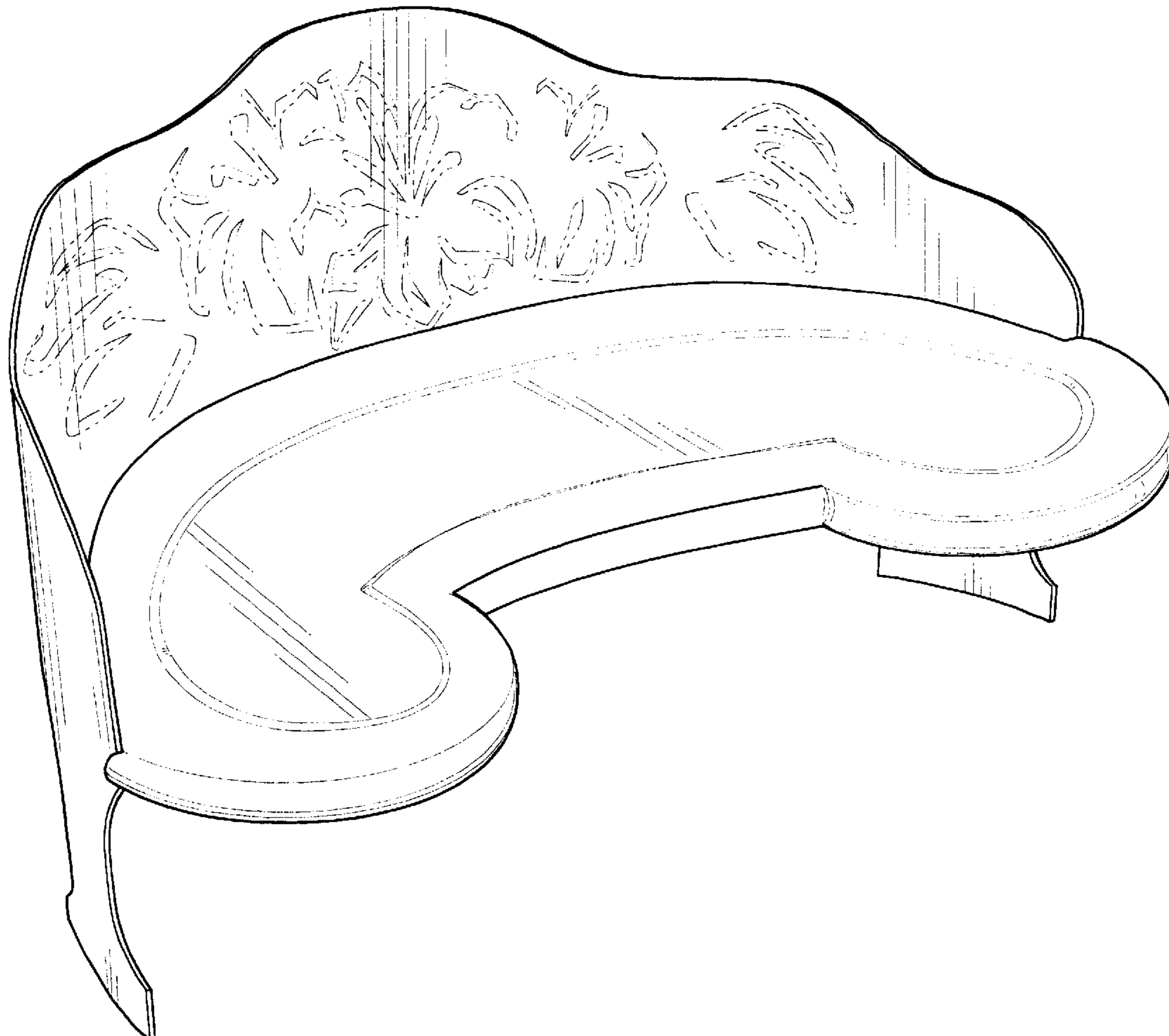
(56) **References Cited**

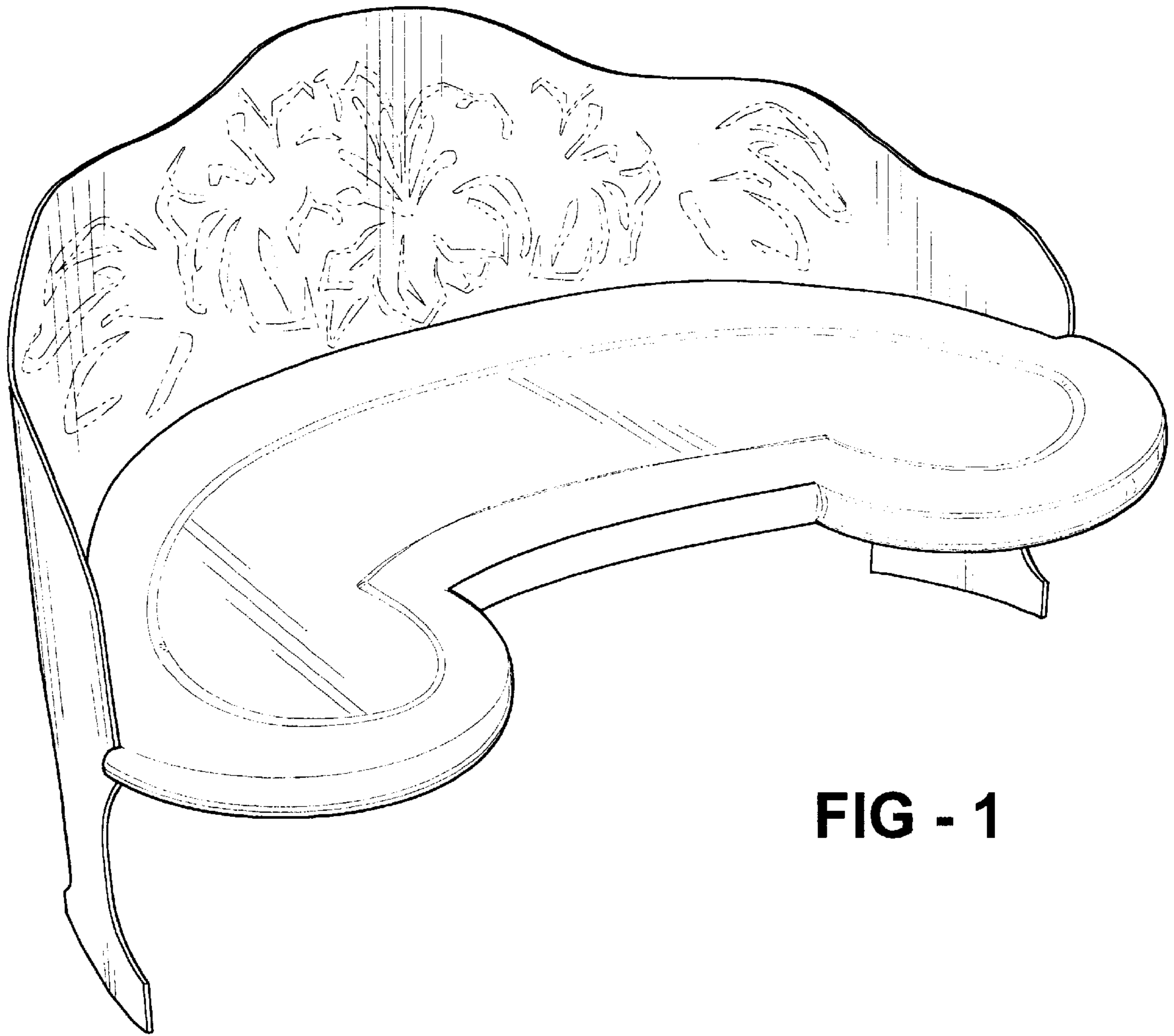
**U.S. PATENT DOCUMENTS**

D112,864 S	*	1/1939	Schlup	.....	D6/336
D114,563 S	*	5/1939	Stoll	.....	D6/381
D132,944 S	*	7/1942	Jackson	.....	D6/381
D229,595 S	*	12/1973	Fisher	.....	D6/334
D314,473 S	*	2/1991	Culler	.....	D6/381
D330,465 S	*	10/1992	Balmori	.....	D6/381
D330,811 S	*	11/1992	Genova et al.	.....	D6/381

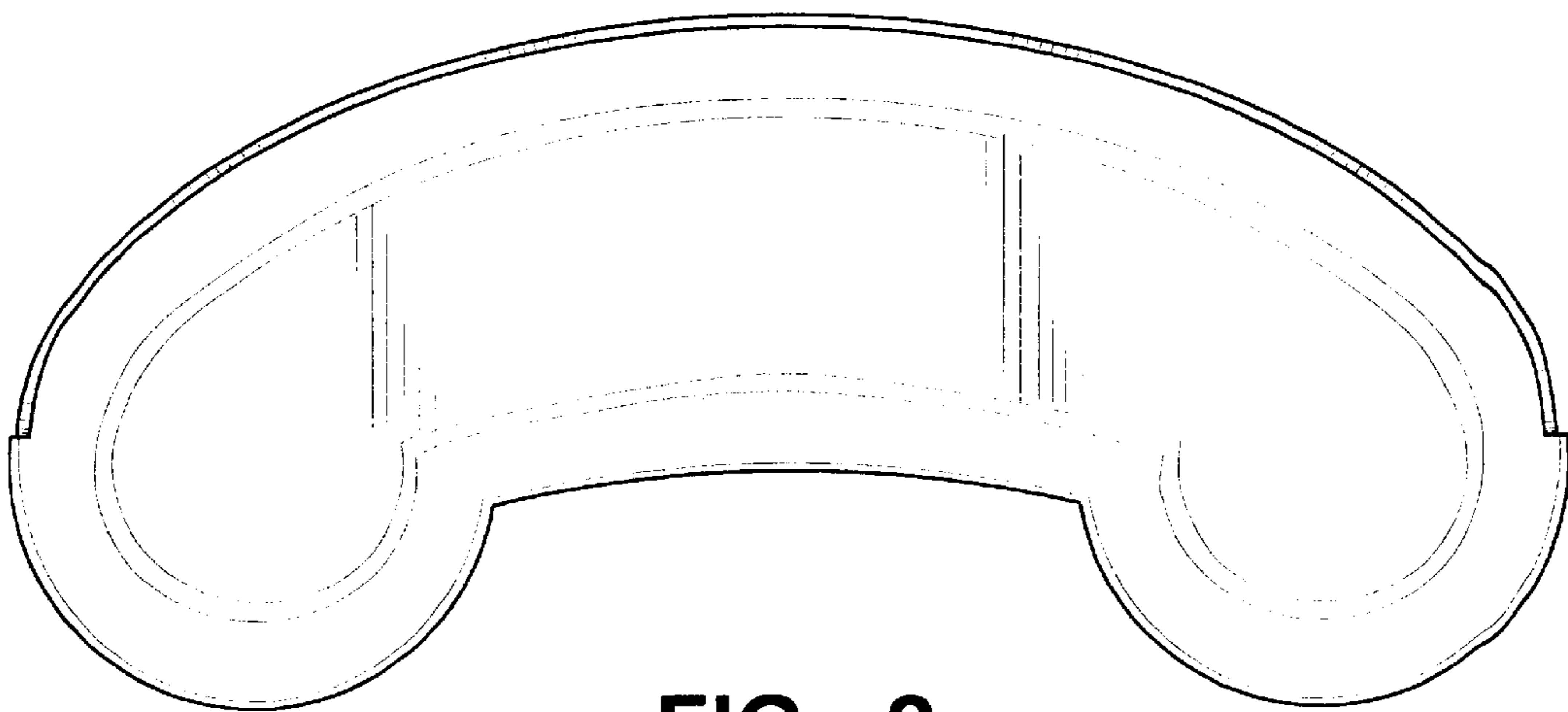
The broken lines shown on the backrest are for illustrative purposes only and form no part of the claimed design.

**1 Claim, 3 Drawing Sheets**

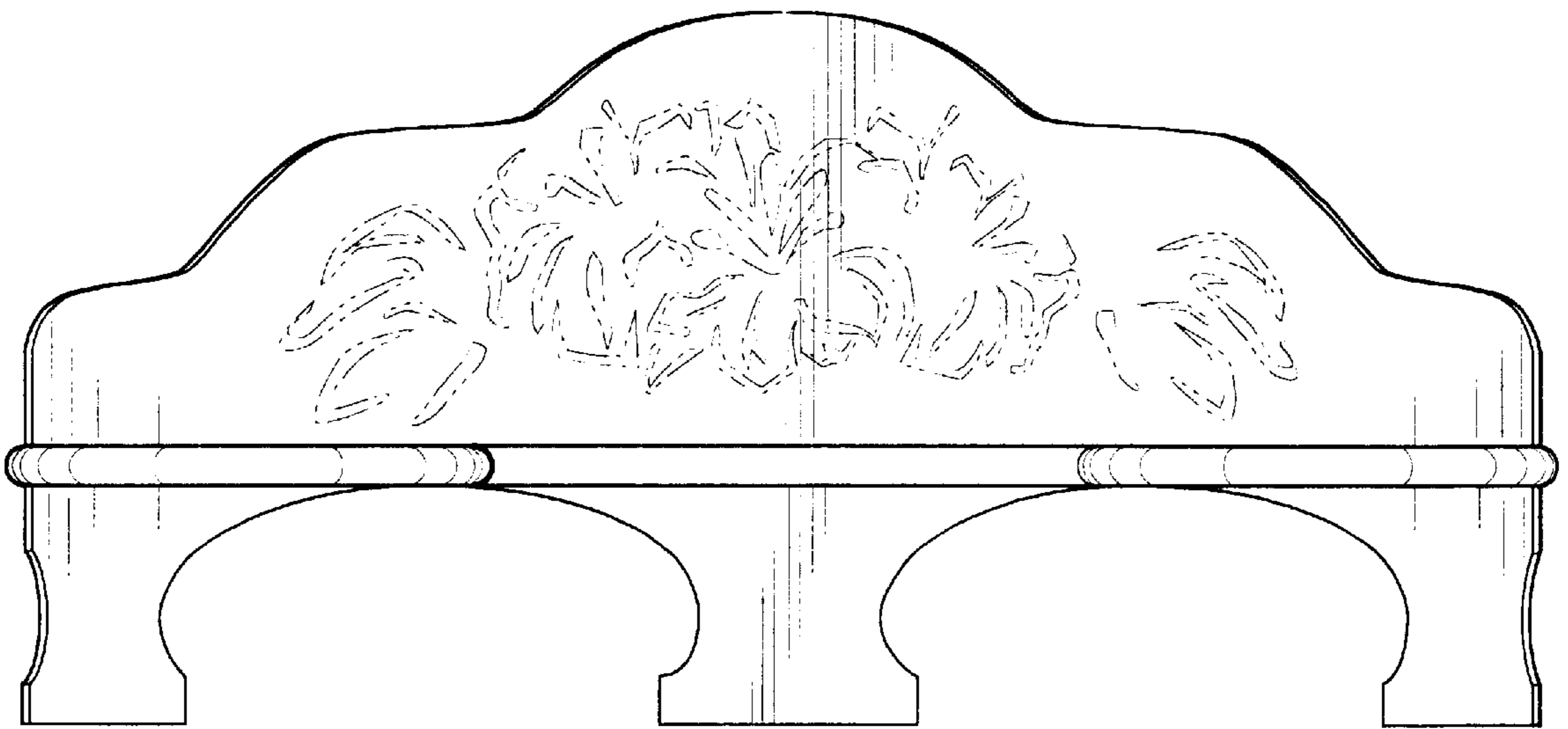




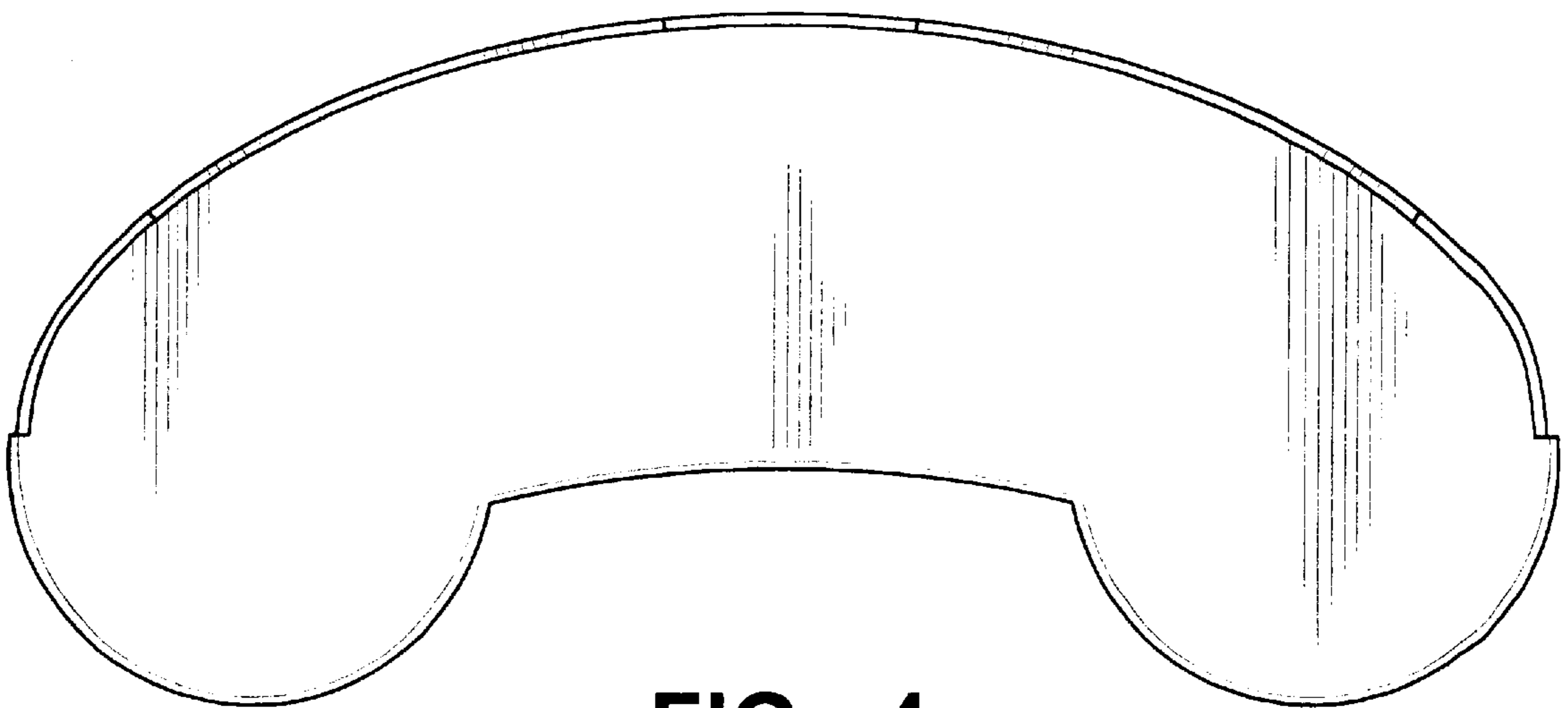
**FIG - 1**



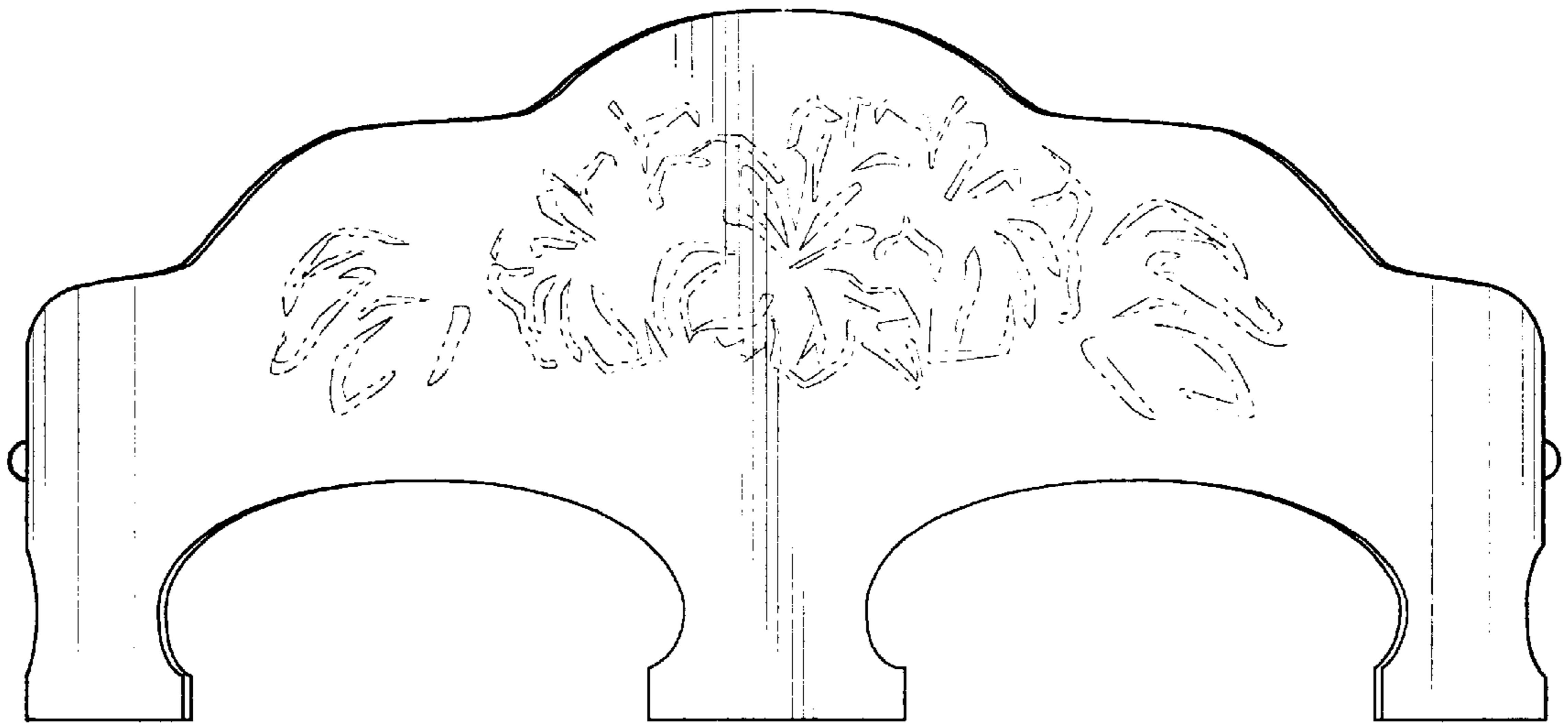
**FIG - 2**



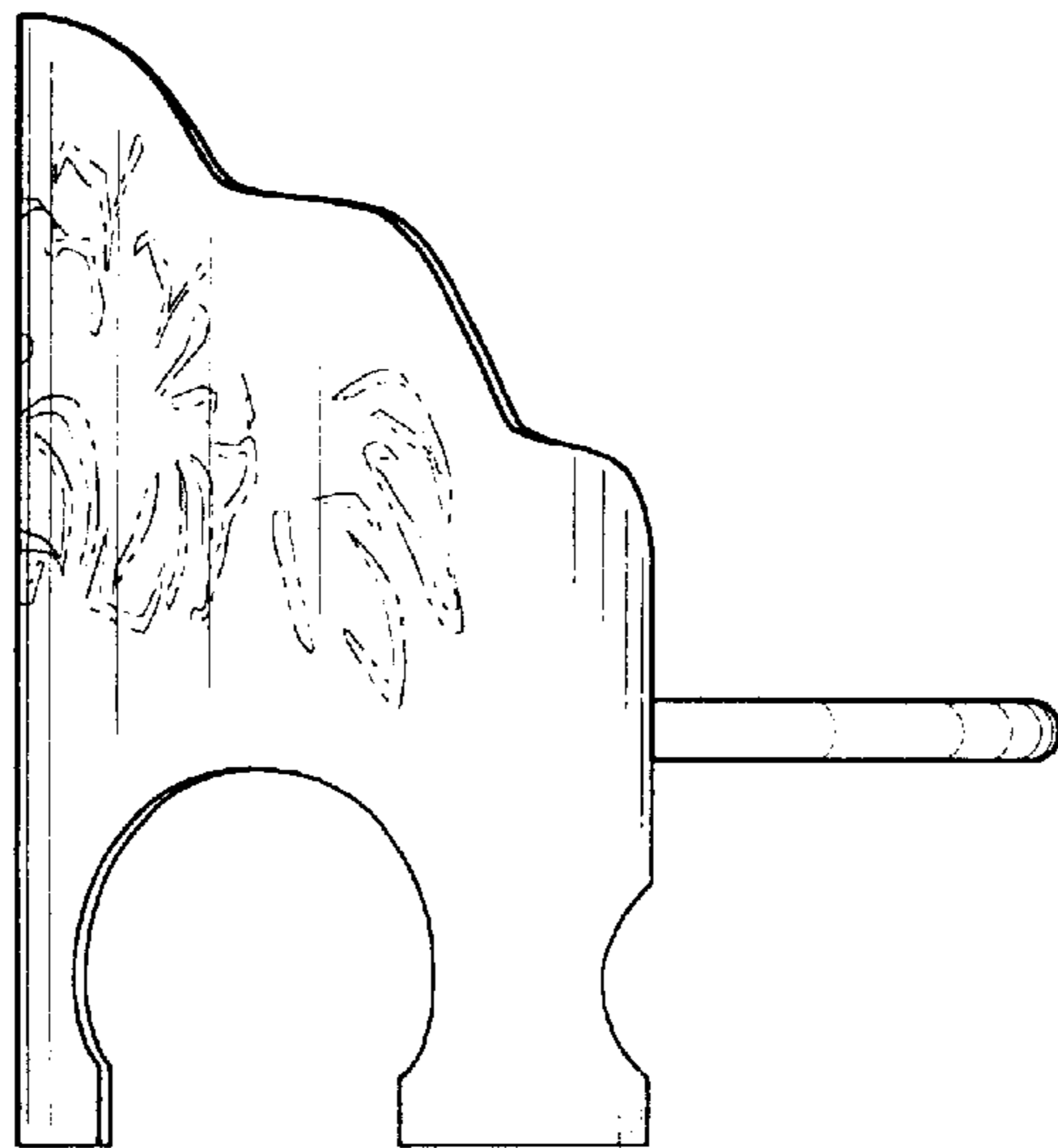
**FIG - 3**



**FIG - 4**



**FIG - 5**



**FIG - 6**