



US00D484712S

(12) **United States Design Patent**
Gomez

(10) **Patent No.:** **US D484,712 S**

(45) **Date of Patent:** **** Jan. 6, 2004**

(54) **SOFA**

(75) **Inventor:** **Didier Gomez, Paris (FR)**

(73) **Assignee:** **Roset (FR)**

(**) **Term:** **14 Years**

(21) **Appl. No.:** **29/165,215**

(22) **Filed:** **Aug. 5, 2002**

(30) **Foreign Application Priority Data**

Feb. 5, 2002 (WO) DM/058 878

(51) **LOC (7) Cl.** **06-01**

(52) **U.S. Cl.** **D6/377; D6/381**

(58) **Field of Search** D6/334, 335, 336,
D6/361, 364, 371, 377, 381, 500, 501,
502; 297/232

(56) **References Cited**

U.S. PATENT DOCUMENTS

- D310,143 S * 8/1990 Hopfer D6/381
- D339,246 S * 9/1993 Hutton D6/377
- D390,029 S * 2/1998 Hutton D6/377
- D404,930 S * 2/1999 Gibson D6/377

- D427,445 S * 7/2000 Gomez D6/377
- D431,381 S * 10/2000 Gomez D6/361

* cited by examiner

Primary Examiner—Gary D. Watson

(74) *Attorney, Agent, or Firm*—Cantor Colburn LLP

(57) **CLAIM**

The ornamental design for a sofa, as shown and described.

DESCRIPTION

FIG. 1 is a front perspective view of a sofa, showing my new design;

FIG. 2 is a front elevational view thereof;

FIG. 3 is a first side elevational view thereof;

FIG. 4 is a second side elevational view thereof;

FIG. 5 is a rear elevational view thereof;

FIG. 6 is a top plan view thereof;

FIG. 7 is a front perspective view of the sofa in a second embodiment;

FIG. 8 is a front elevational view thereof;

FIG. 9 is a first side elevational view thereof;

FIG. 10 is a second side elevational view thereof;

FIG. 11 is a rear elevational view thereof; and,

FIG. 12 is a top plan view thereof.

1 Claim, 8 Drawing Sheets

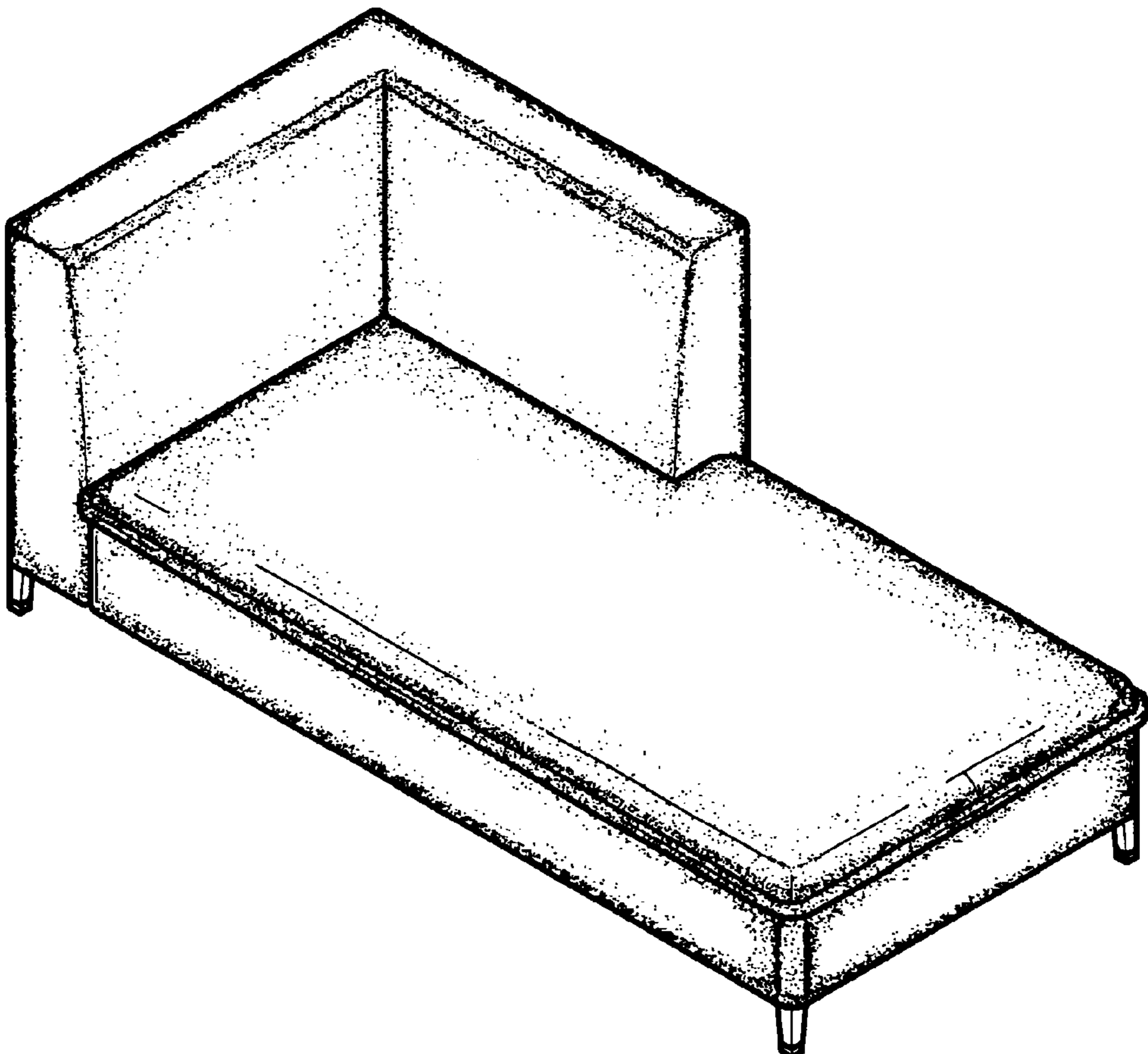


FIG. 1

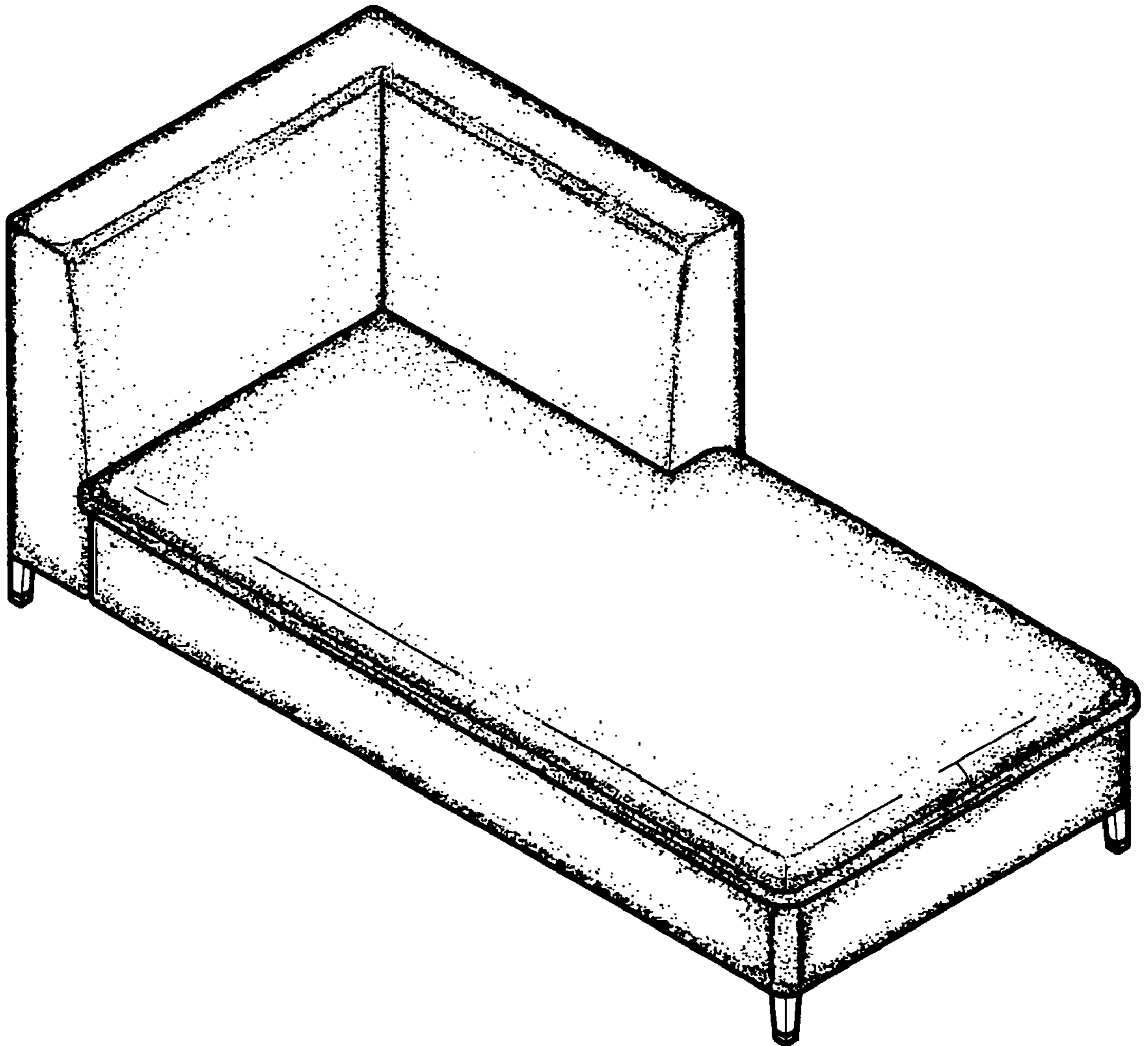


FIG. 2

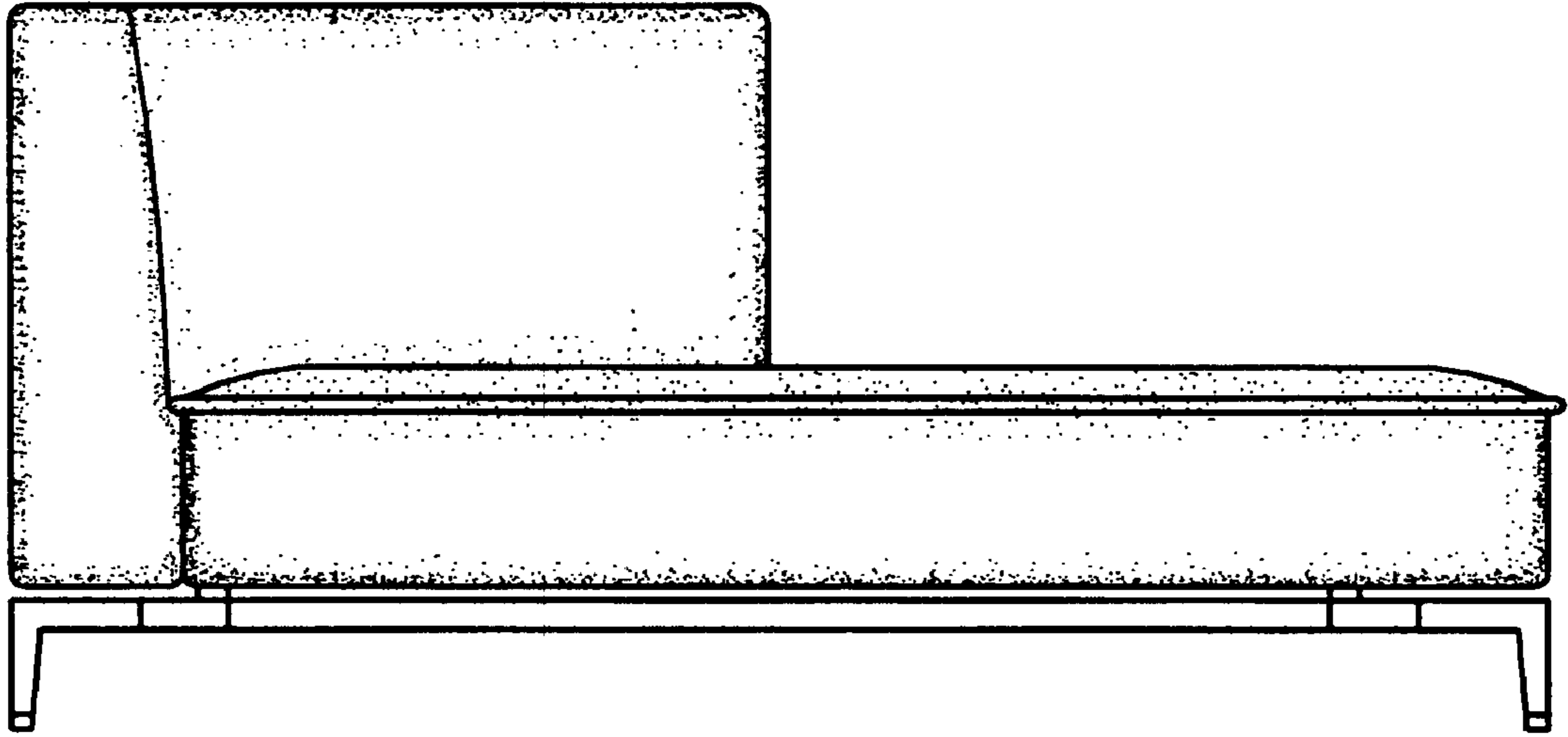


FIG. 3

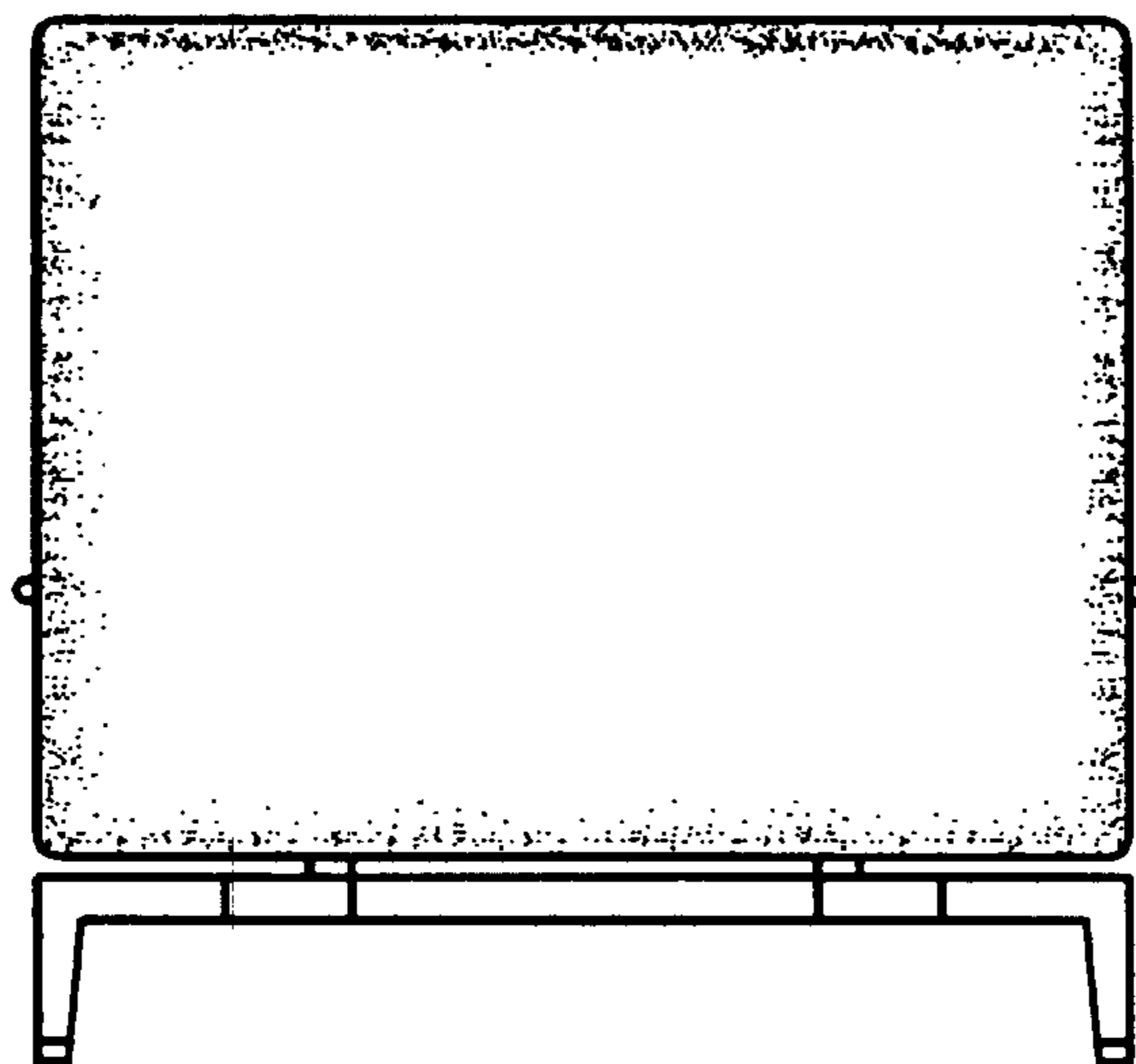


FIG. 4

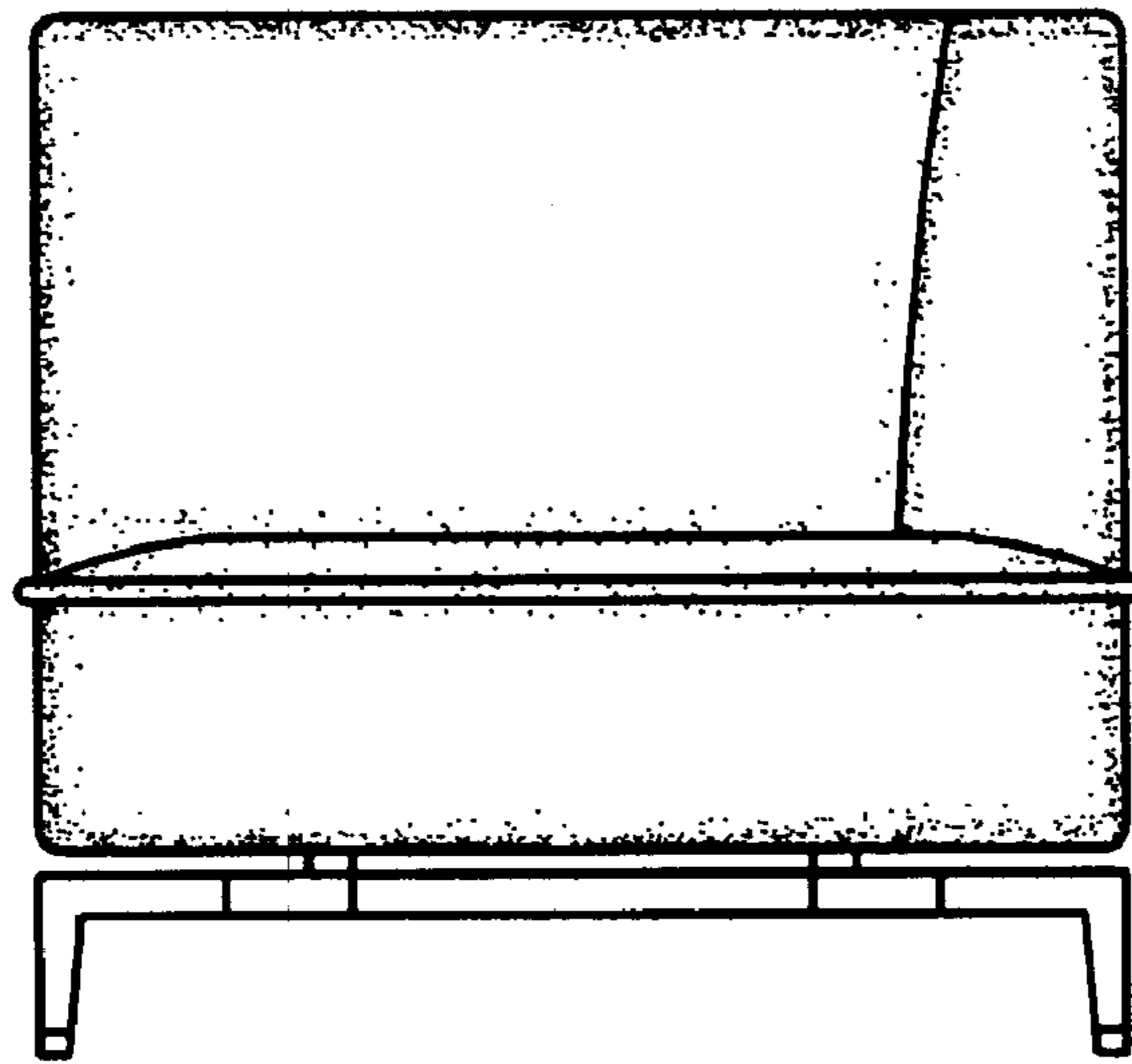


FIG. 5

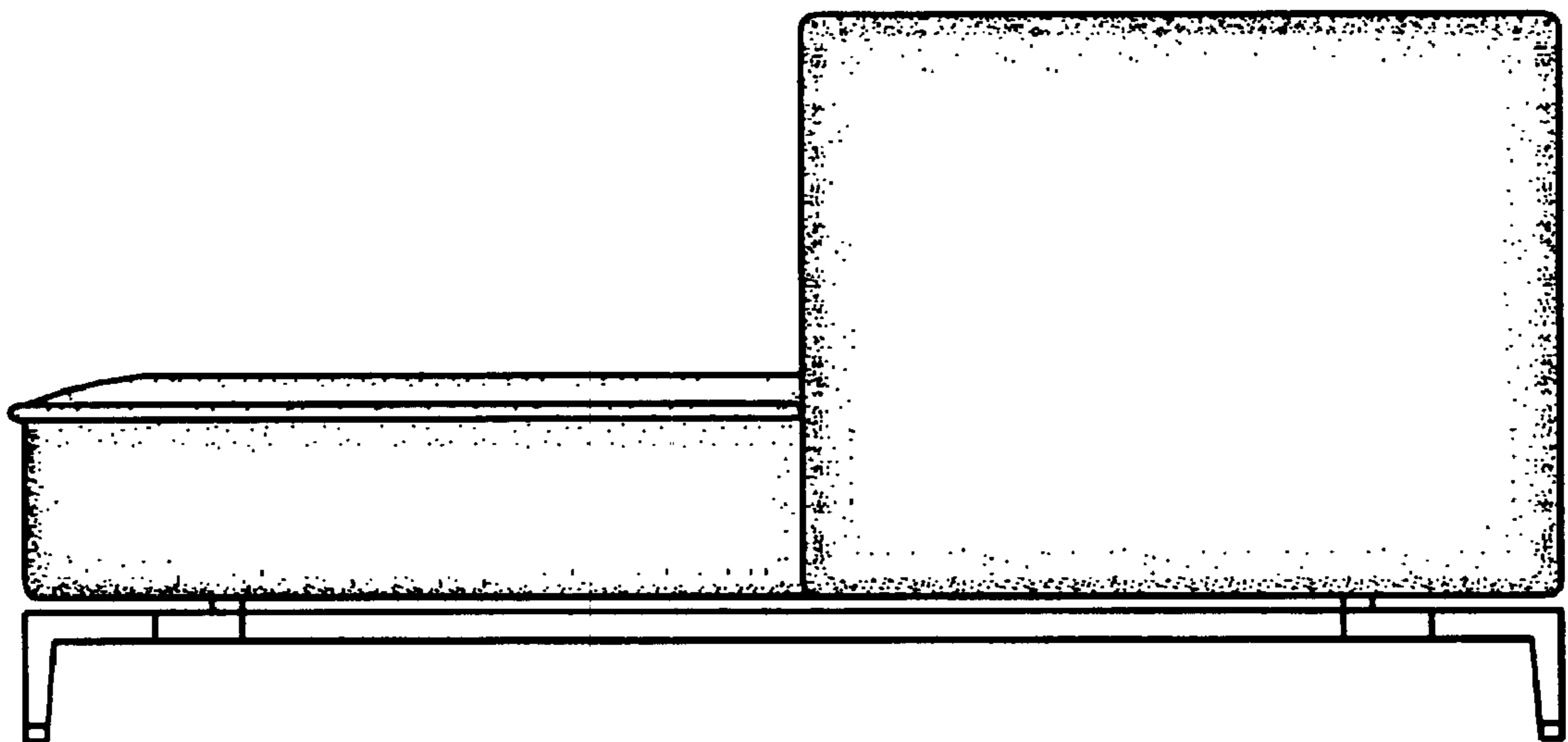


FIG. 6

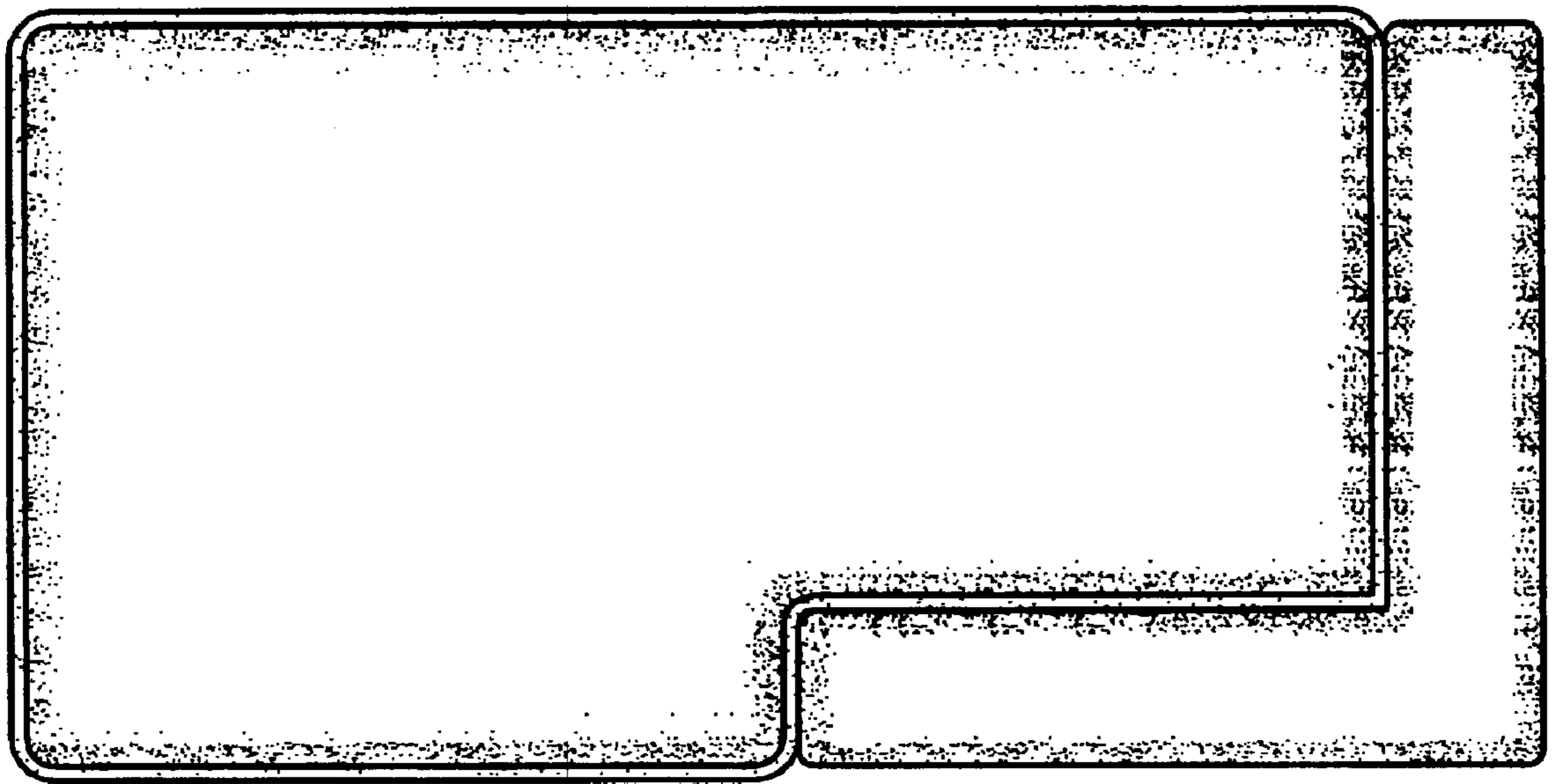


FIG. 7

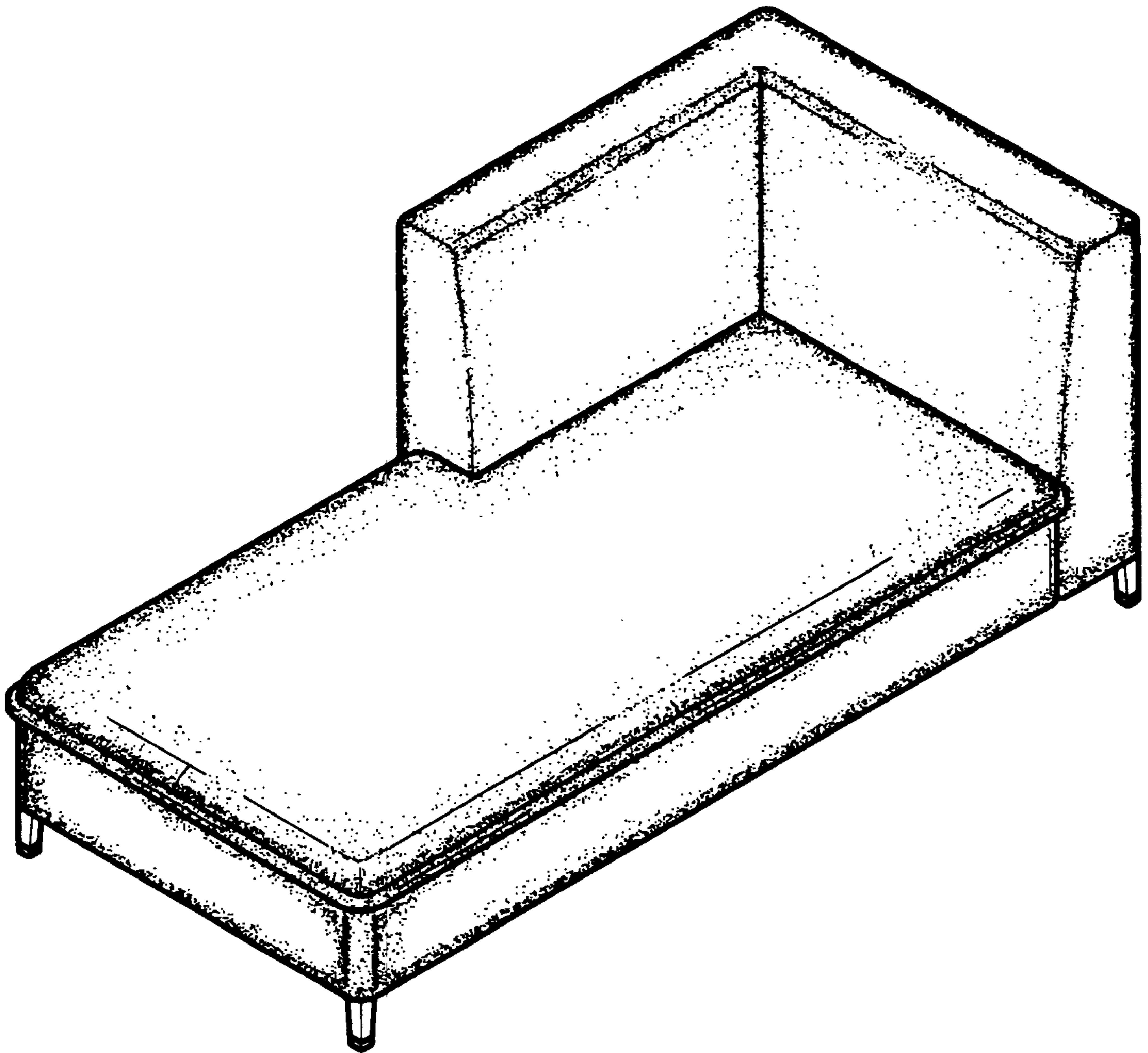


FIG. 8

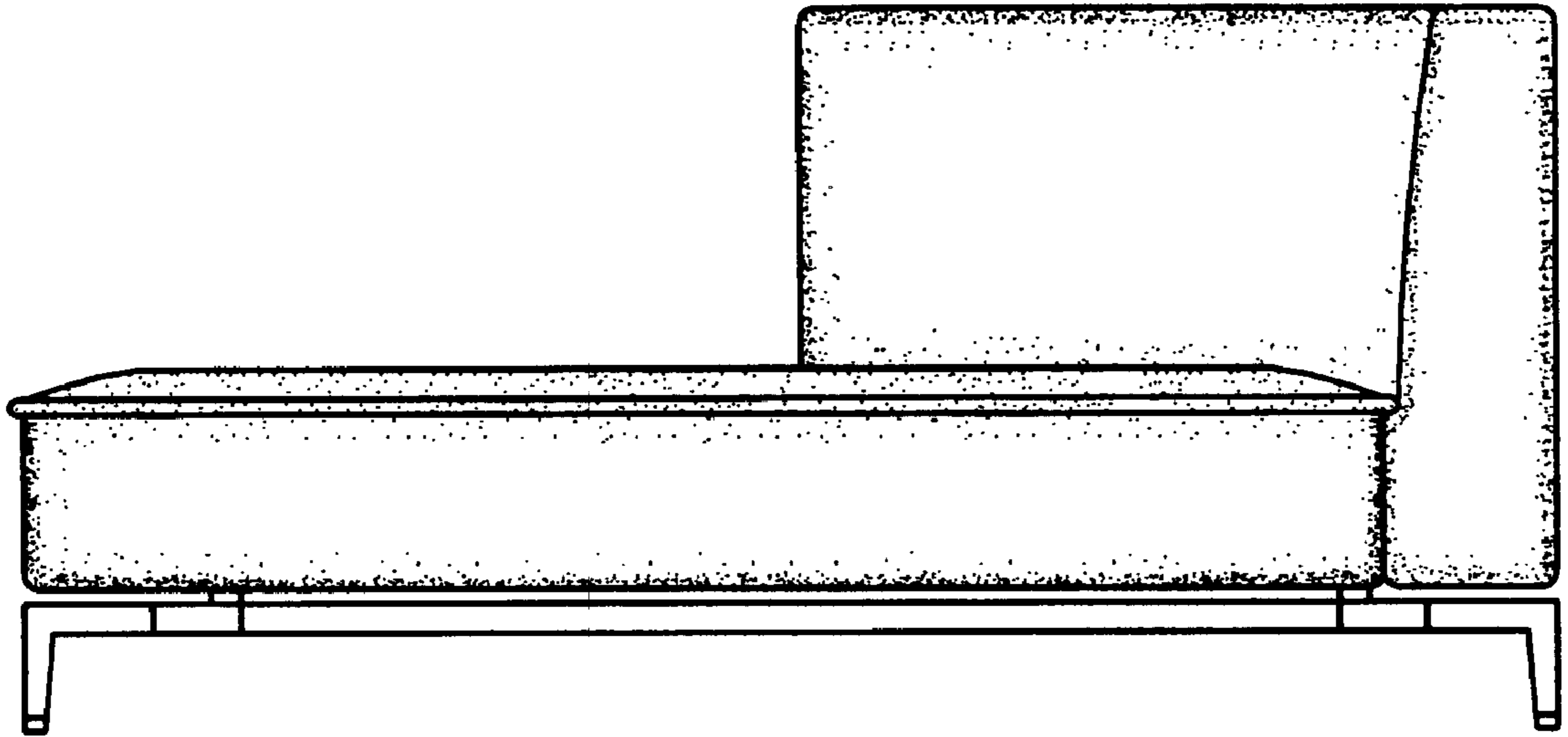


FIG. 9

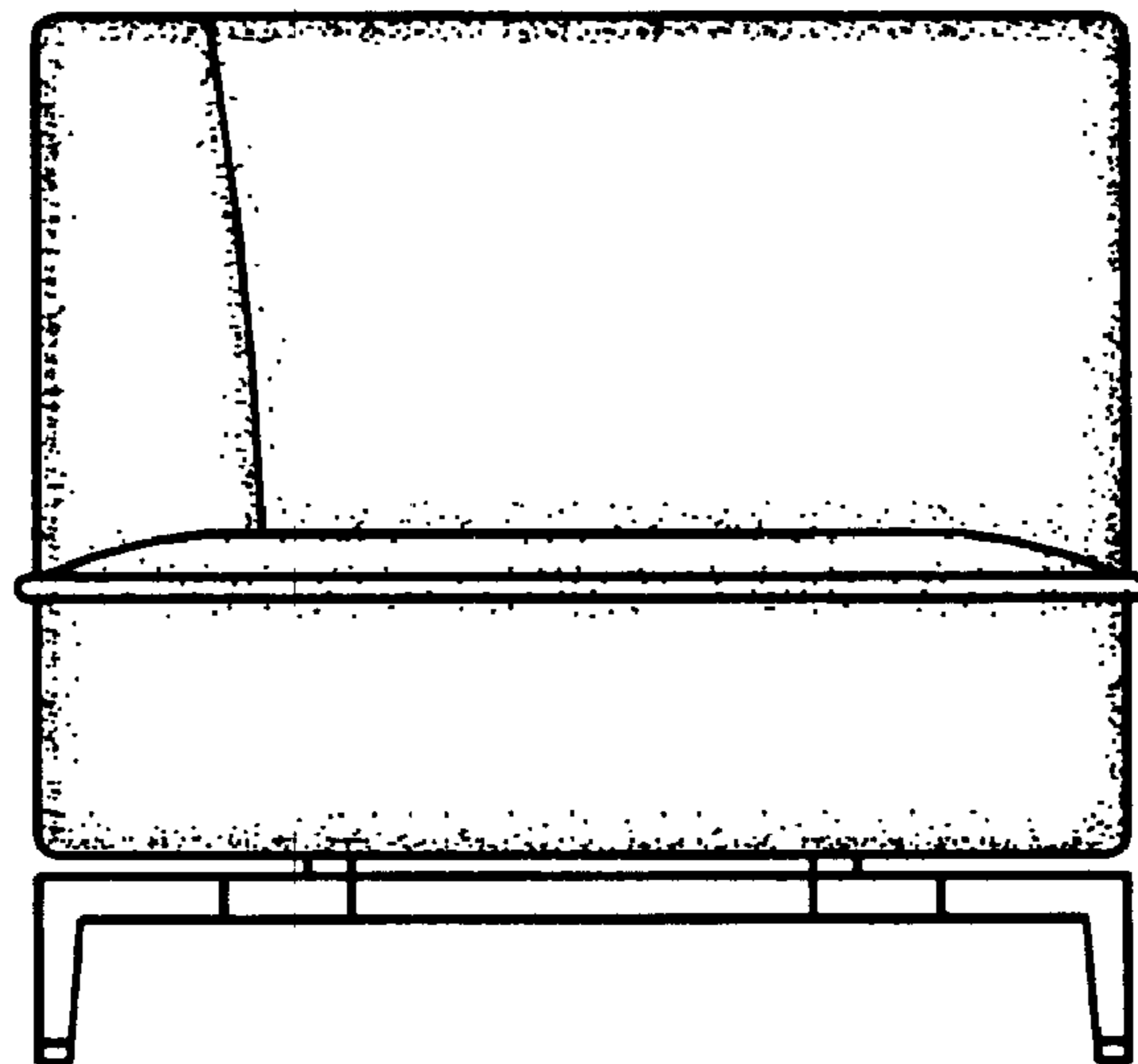


FIG. 10

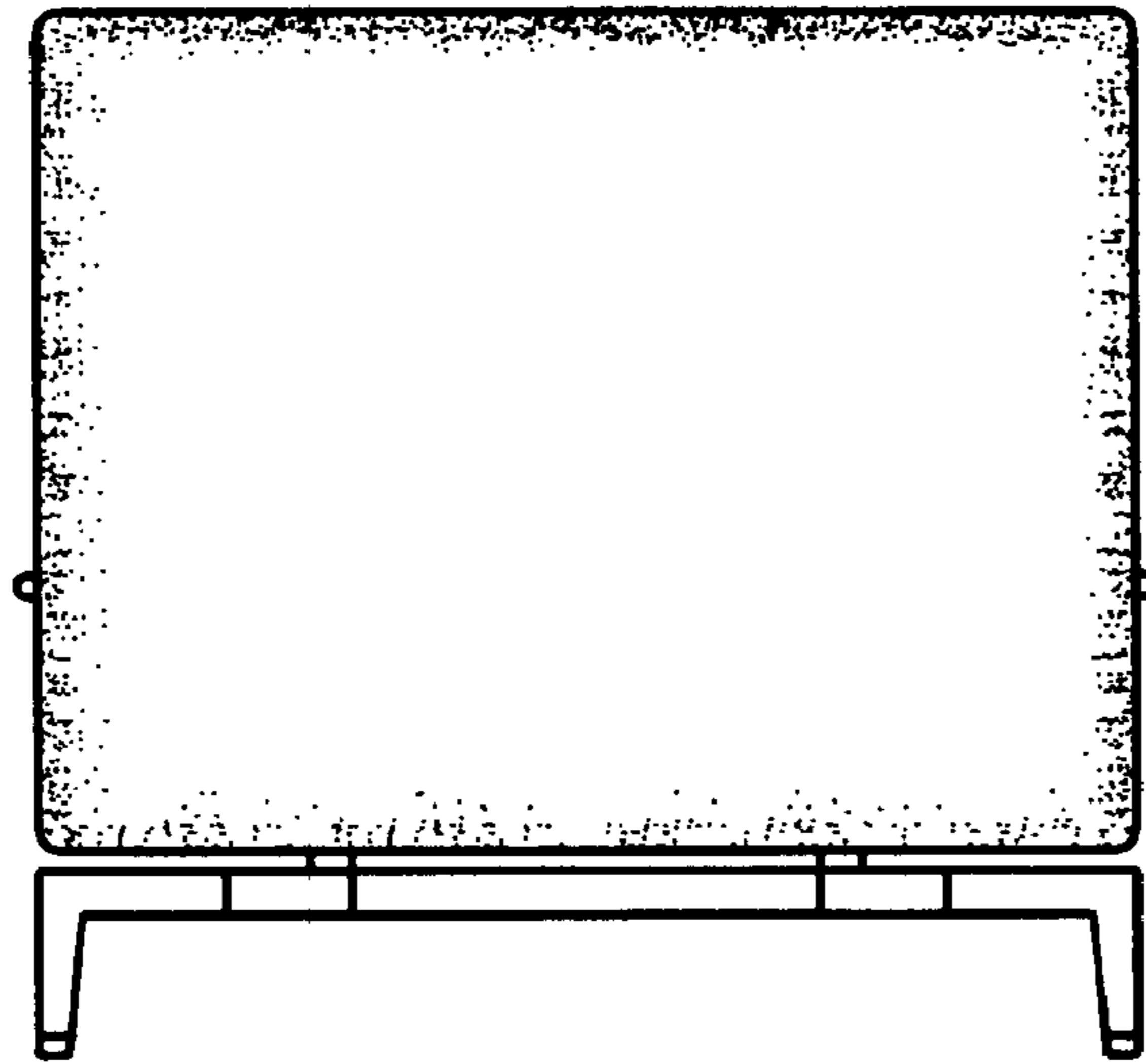


FIG. 11

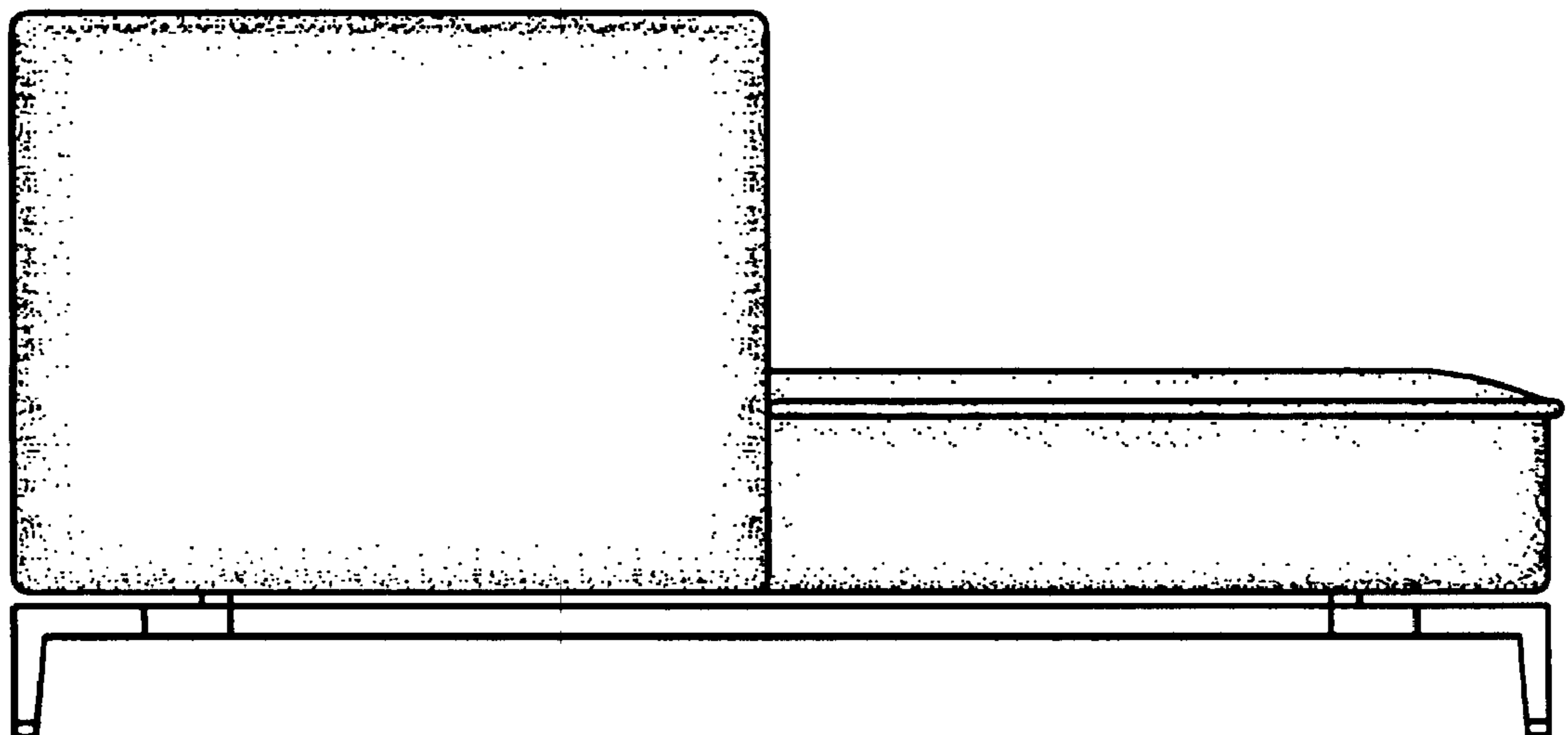


FIG. 12

