



US00D484711S

(12) **United States Design Patent**
Getzel

(10) **Patent No.:** **US D484,711 S**

(45) **Date of Patent:** **** Jan. 6, 2004**

(54) **CHAIR**

(75) Inventor: **Stefano Getzel**, Maggiore (IT)

(73) Assignee: **Luxy Italia SRL**, Maggiore (IT)

(**) Term: **14 Years**

(21) Appl. No.: **29/169,983**

(22) Filed: **Oct. 29, 2002**

Related U.S. Application Data

(62) Division of application No. 29/156,515, filed on Mar. 1, 2002.

(51) **LOC (7) Cl.** **06-01**

(52) **U.S. Cl.** **D6/366**

(58) **Field of Search** D6/334, 364, 365,
D6/366, 367, 500, 501, 502; 297/411.2,
411.28

(56) **References Cited**

U.S. PATENT DOCUMENTS

D270,310 S * 8/1983 Ochsner D6/366
D353,268 S * 12/1994 Ambasz D6/366
D391,424 S * 3/1998 Raftery D6/500

D405,618 S * 2/1999 Reutepohler et al. D6/366
D429,584 S * 8/2000 Brettschneider et al. D6/500
D445,579 S * 7/2001 Olson D6/366

* cited by examiner

Primary Examiner—Gary D. Watson

(74) *Attorney, Agent, or Firm*—R. Neil Sudol; Henry D. Coleman; William J. Sapone

(57) **CLAIM**

The ornamental design for chair, as shown and described.

DESCRIPTION

FIG. 1 is a left side elevational view of a chair, showing my new design, the right side being a mirror image of the left side;

FIG. 2 is a front, bottom, and left side perspective view thereof;

FIG. 3 is a bottom plan view thereof;

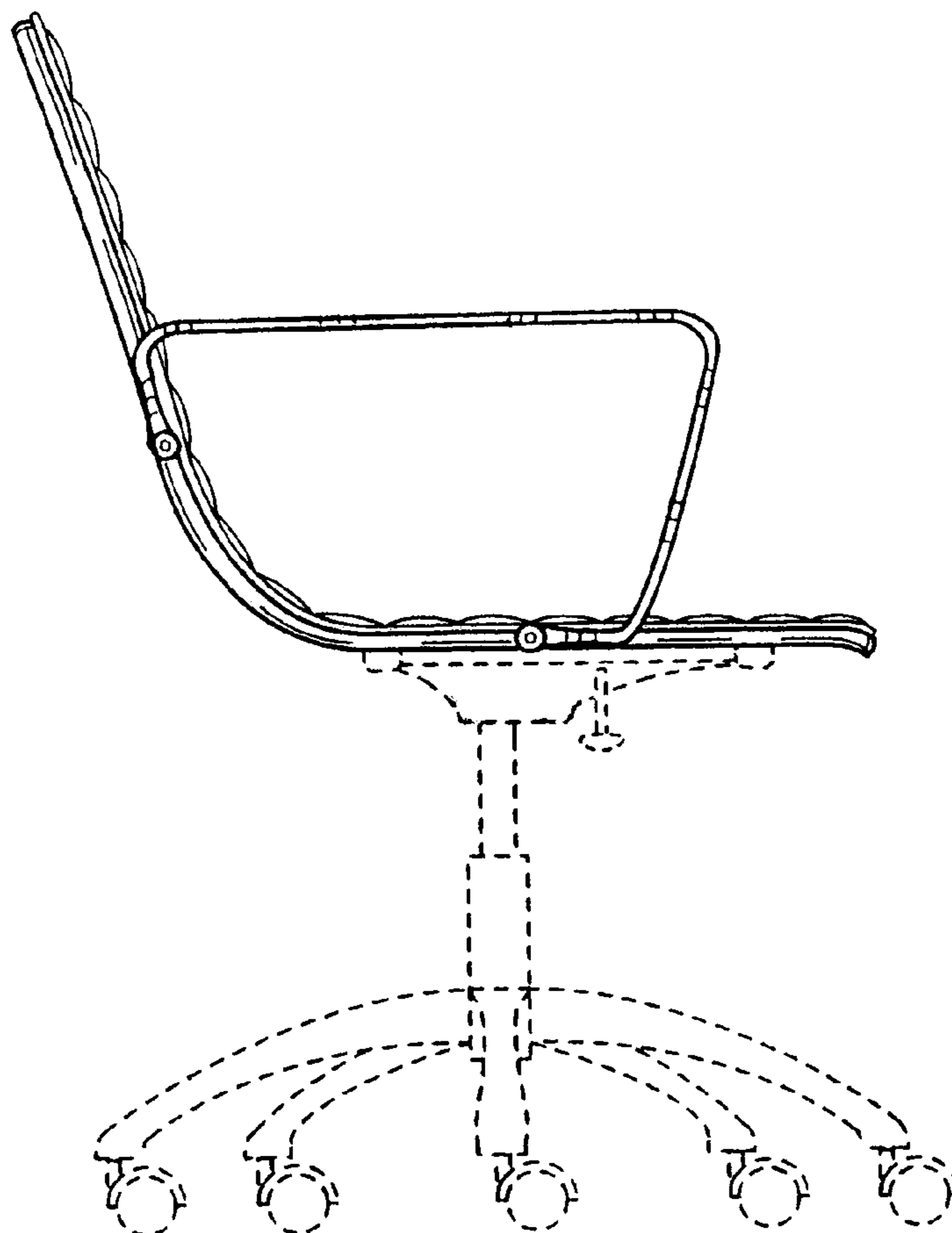
FIG. 4 is a top perspective view thereof;

FIG. 5 is a front elevational view thereof; and,

FIG. 6 is a rear elevational view thereof.

The broken lines shown are for illustrative purposes only and form no part of the claimed design.

1 Claim, 3 Drawing Sheets



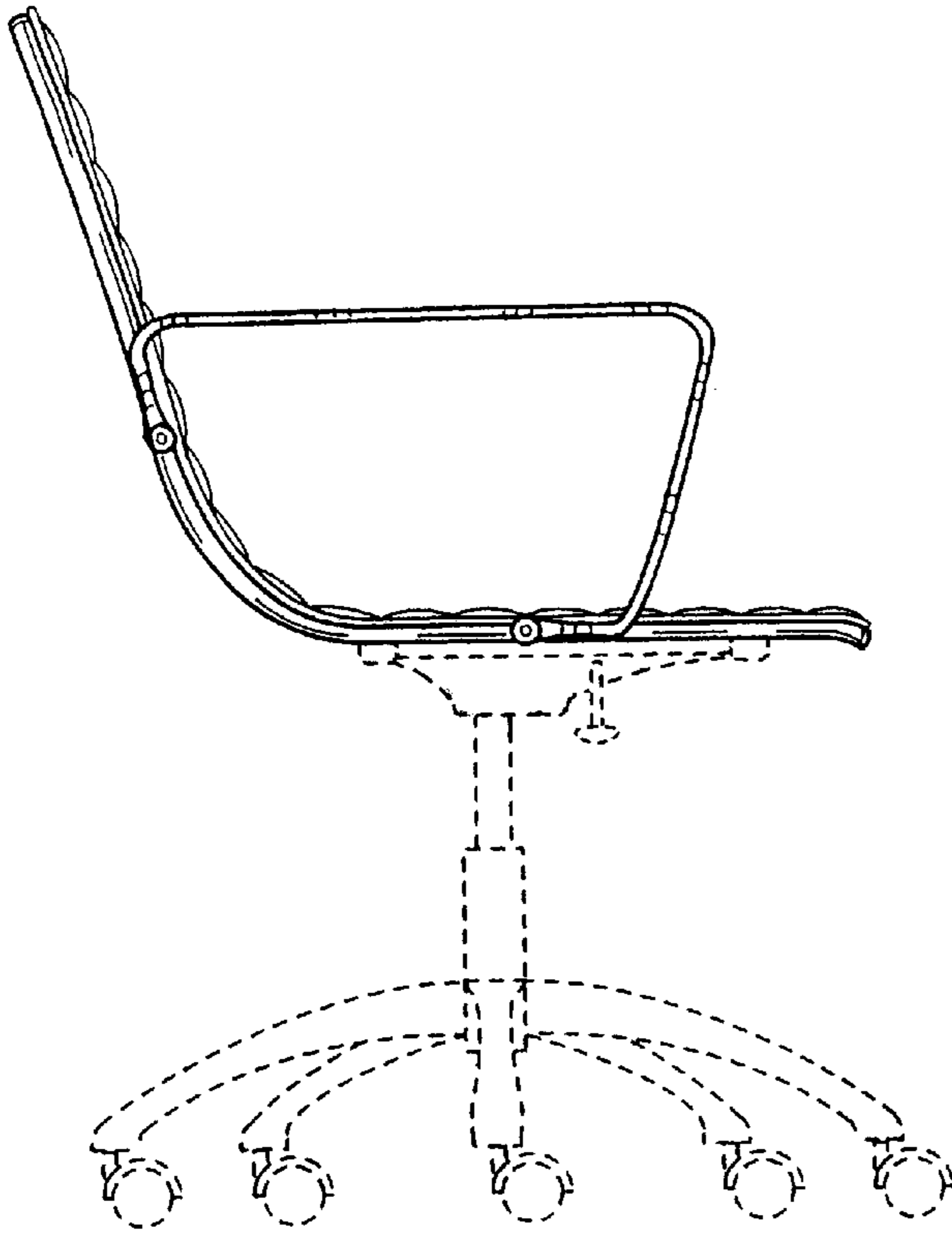


FIG. 1

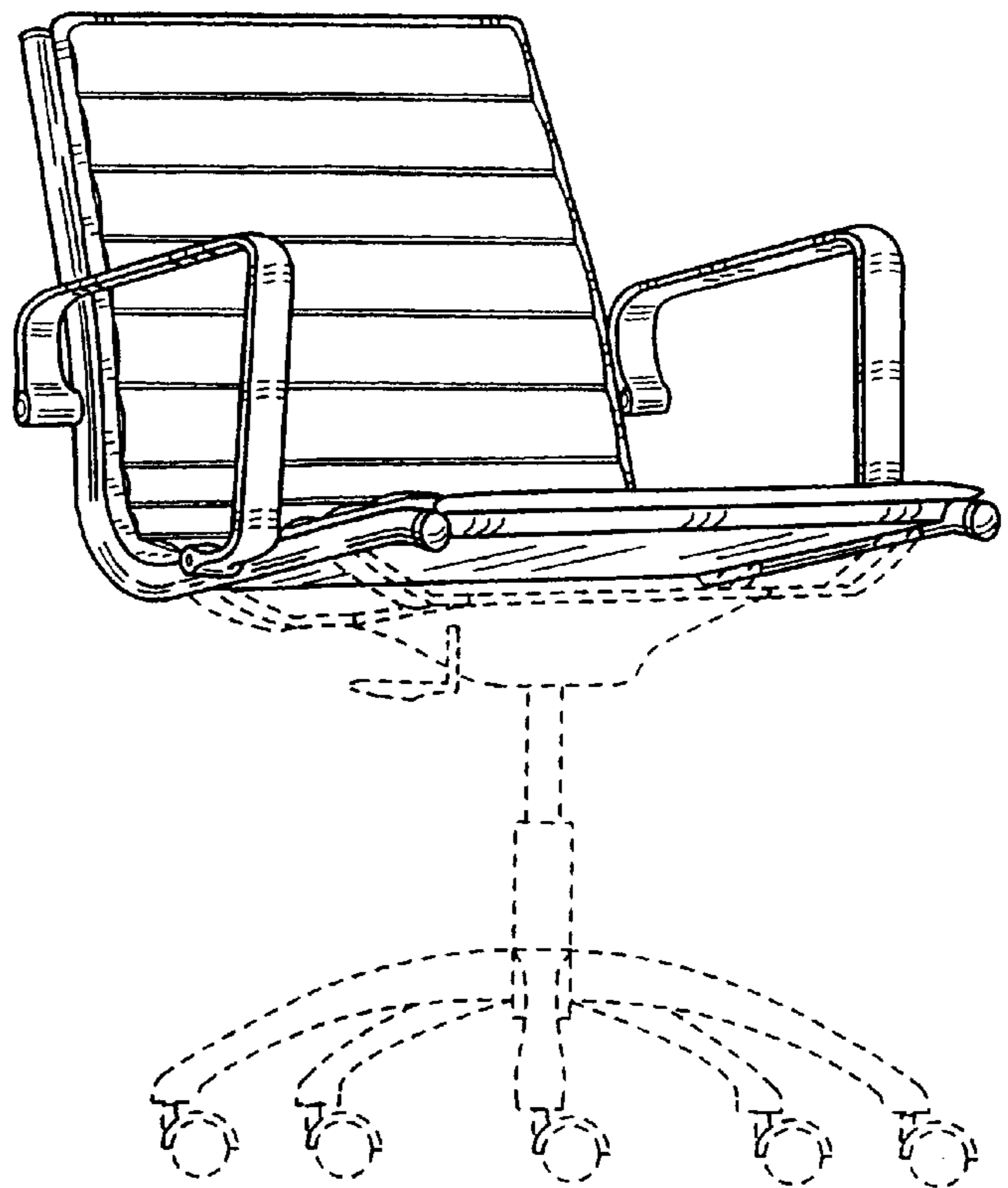


FIG. 2

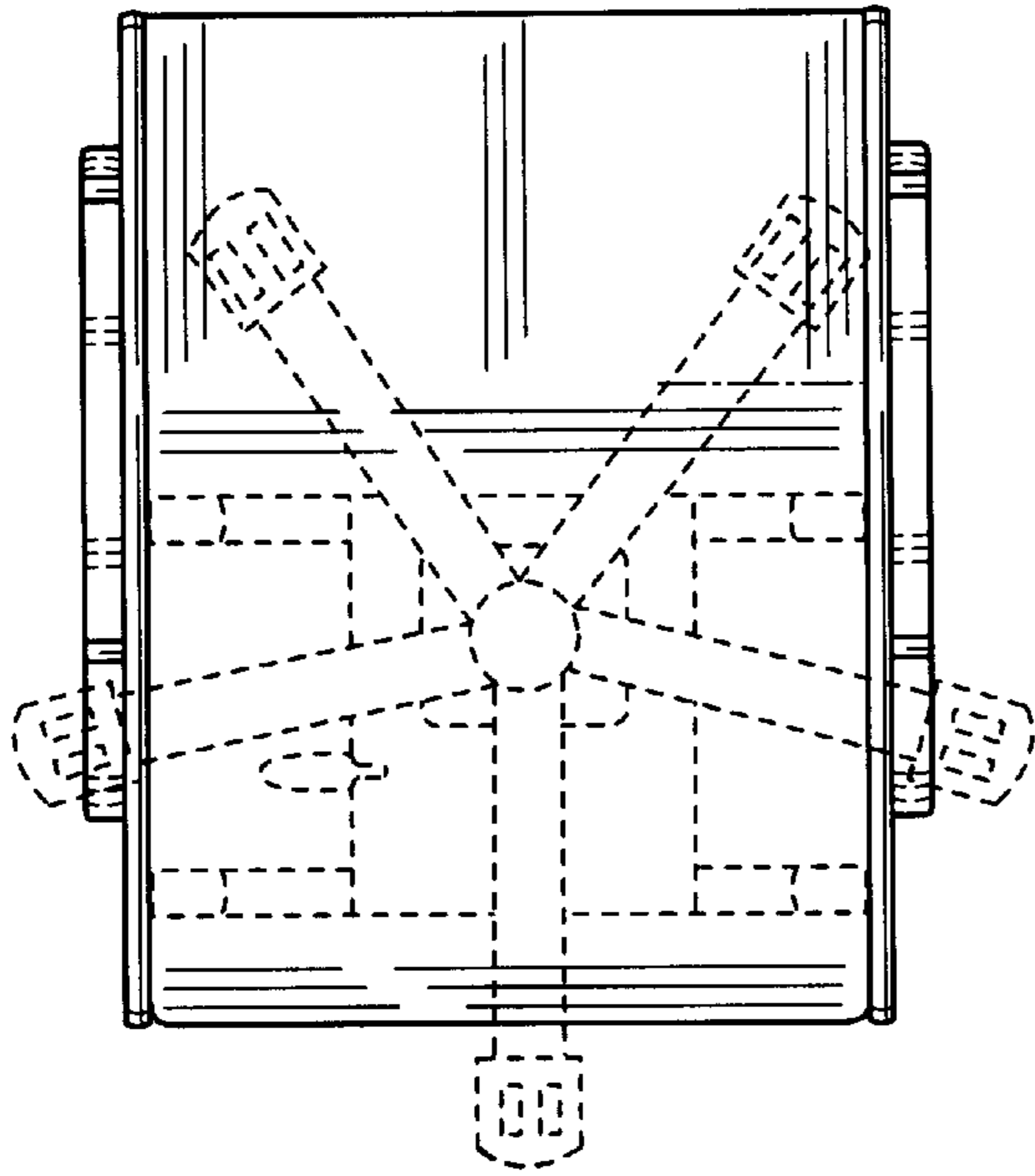


FIG. 3

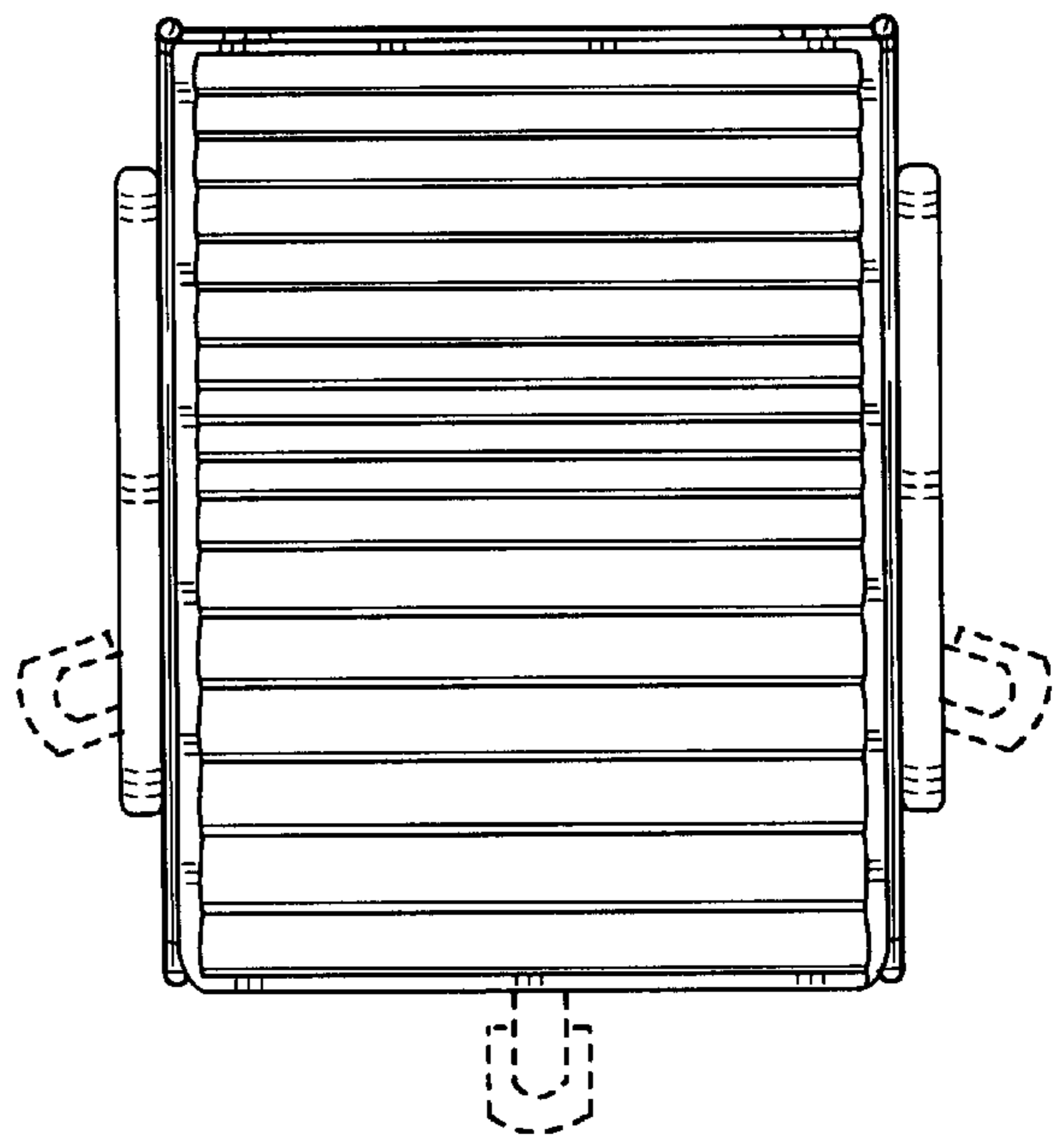


FIG. 4

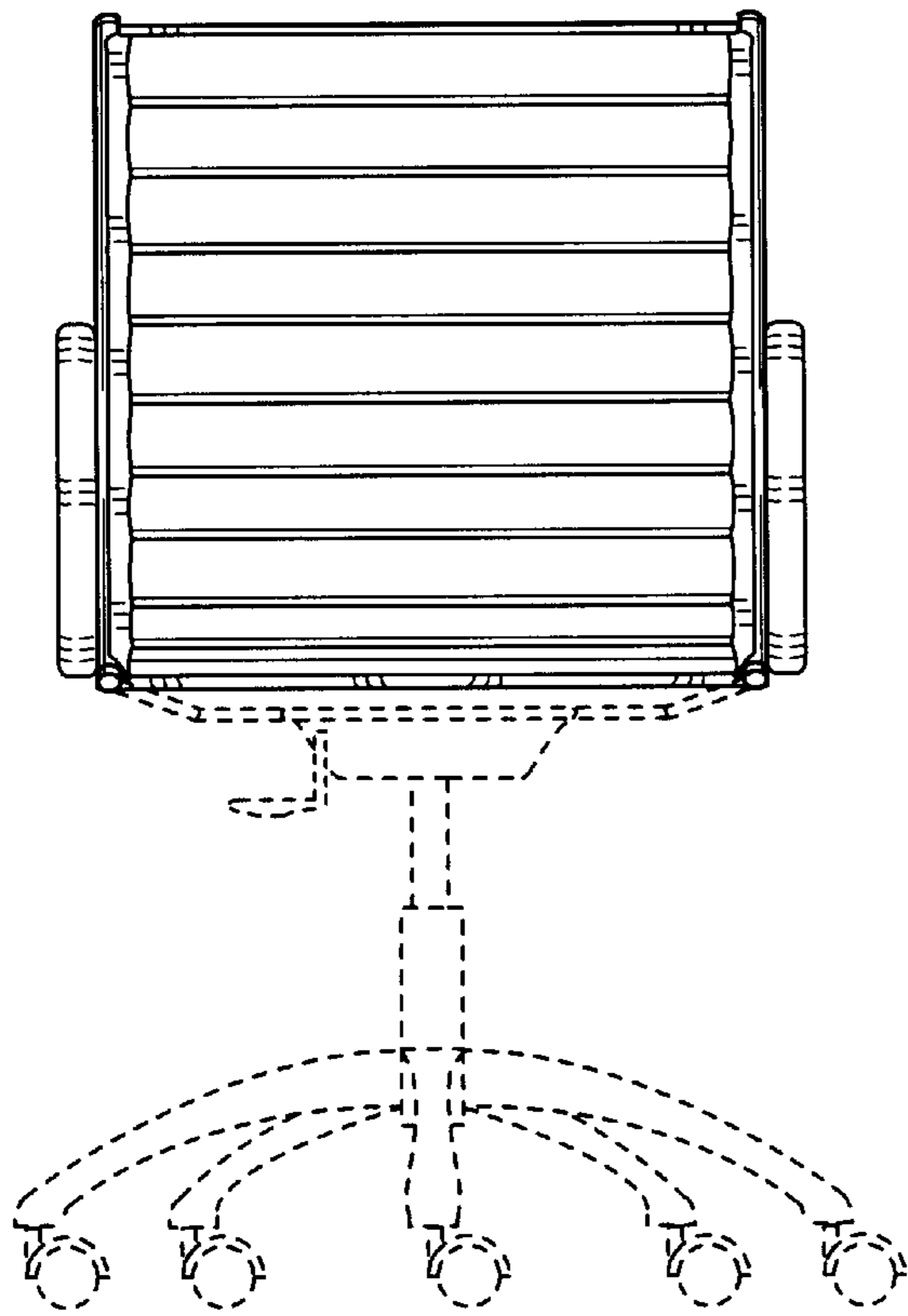


FIG. 5

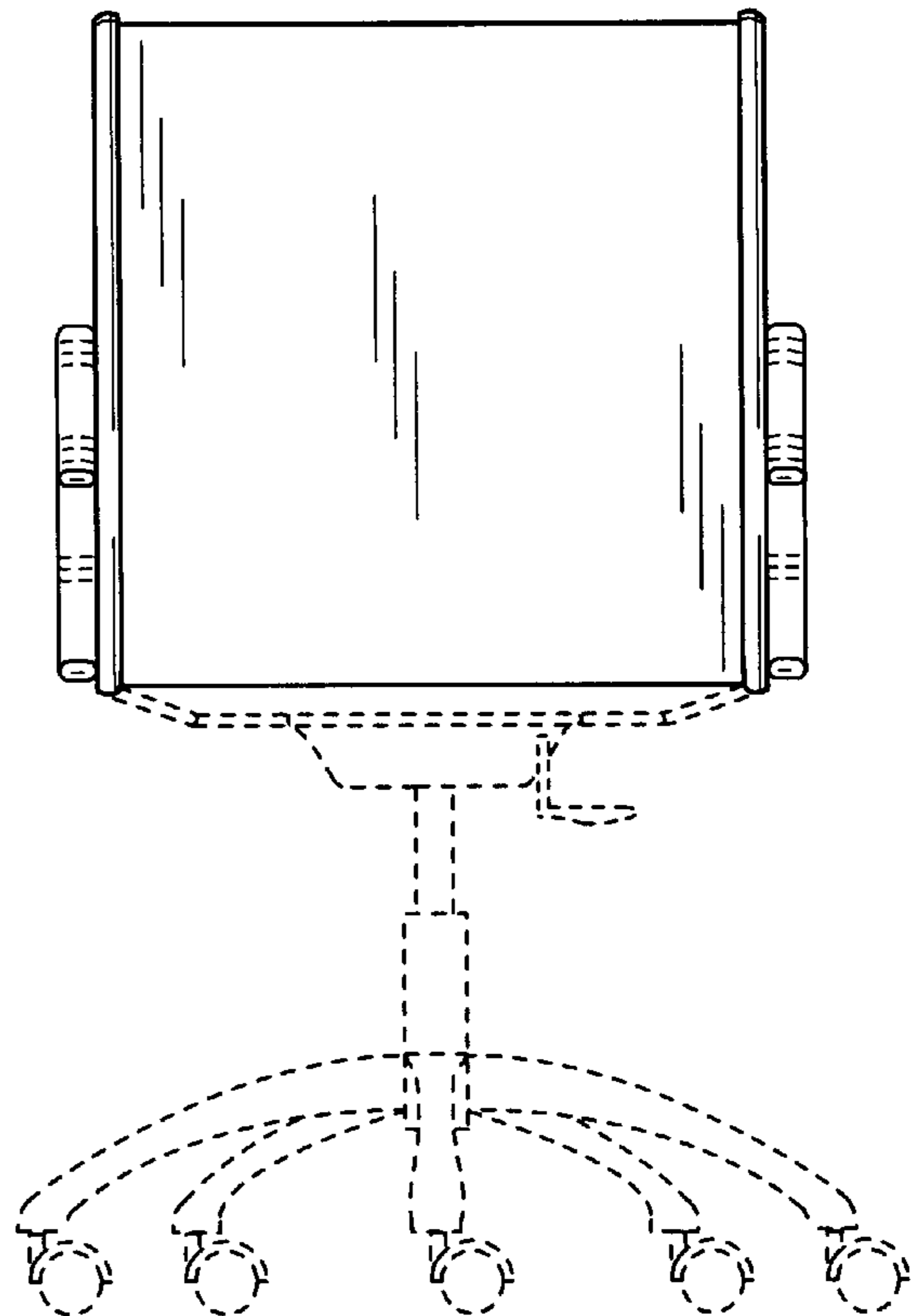


FIG. 6