



US00D484710S

(12) **United States Design Patent**
Getzel

(10) **Patent No.:** **US D484,710 S**

(45) **Date of Patent:** **** Jan. 6, 2004**

(54) **CHAIR**

(75) **Inventor:** **Stefano Getzel, Maggiore Montecchio (IT)**

(73) **Assignee:** **Luxy Italia, SRL, Vincenza (IT)**

(**) **Term:** **14 Years**

(21) **Appl. No.:** **29/156,515**

(22) **Filed:** **Mar. 1, 2002**

(51) **LOC (7) Cl.** **06-01**

(52) **U.S. Cl.** **D6/366**

(58) **Field of Search** D6/334, 364, 365,
D6/366, 367, 500, 501, 502; 297/411.2,
411.27, 411.28, 411.36

(56) **References Cited**

U.S. PATENT DOCUMENTS

D291,509 S	*	8/1987	Sapper	D6/366
D295,467 S	*	5/1988	Bellini	D6/366
D301,662 S	*	6/1989	Vonhausen	D6/366
D322,898 S	*	1/1992	Zapf	D6/366
D327,781 S	*	7/1992	Citterio	D6/366
D327,782 S	*	7/1992	Citterio	D6/366
D330,808 S	*	11/1992	Citterio	D6/366
D353,268 S	*	12/1994	Ambasz	D6/366
D355,303 S	*	2/1995	Scheper et al.	D6/366
D372,799 S	*	8/1996	Orians et al.	D6/366
D390,712 S	*	2/1998	Koepke et al.	D6/366
D391,424 S	*	3/1998	Raftery	D6/500

D400,018 S	*	10/1998	James et al.	D6/366
D417,102 S	*	11/1999	Vanderwood et al.	D6/500
D422,802 S	*	4/2000	Deacon	D6/366
D430,746 S	*	9/2000	Gagnon et al.	D6/366
D434,238 S	*	11/2000	Tseng	D6/366
D445,580 S	*	7/2001	Pennington et al.	D6/366
D446,413 S	*	8/2001	Skalka	D6/500
D452,092 S	*	12/2001	Tseng	D6/500

OTHER PUBLICATIONS

JDS International, Special NeoCon 2000 brochure, shield chair at bottom (as marked).*

* cited by examiner

Primary Examiner—Gary D. Watson

(74) *Attorney, Agent, or Firm*—R. Neil Sudol; Henry D. Coleman; William J. Sapone

(57) **CLAIM**

The ornamental design for chair, as shown and described.

DESCRIPTION

FIG. 1 is a front elevational view of a first embodiment of a chair, showing my new design;
FIG. 2 is a right side elevational view thereof, the left side being a mirror image of the right side;
FIG. 3 is a rear elevational view thereof;
FIG. 4 is a front, top, and right side perspective view thereof;
FIG. 5 is a top perspective view thereof; and,
FIG. 6 is a bottom perspective view thereof.

1 Claim, 1 Drawing Sheet



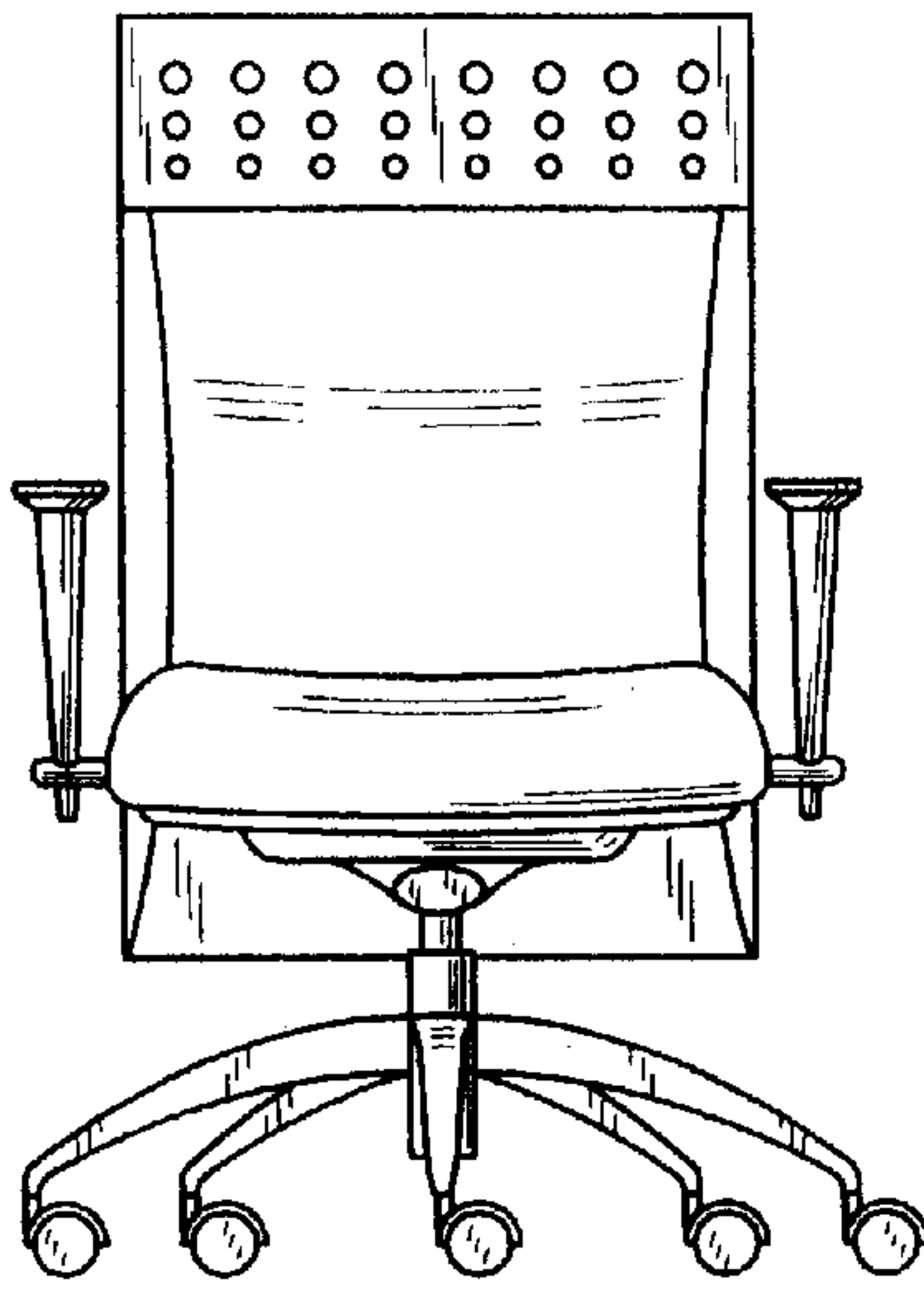


FIG. 1

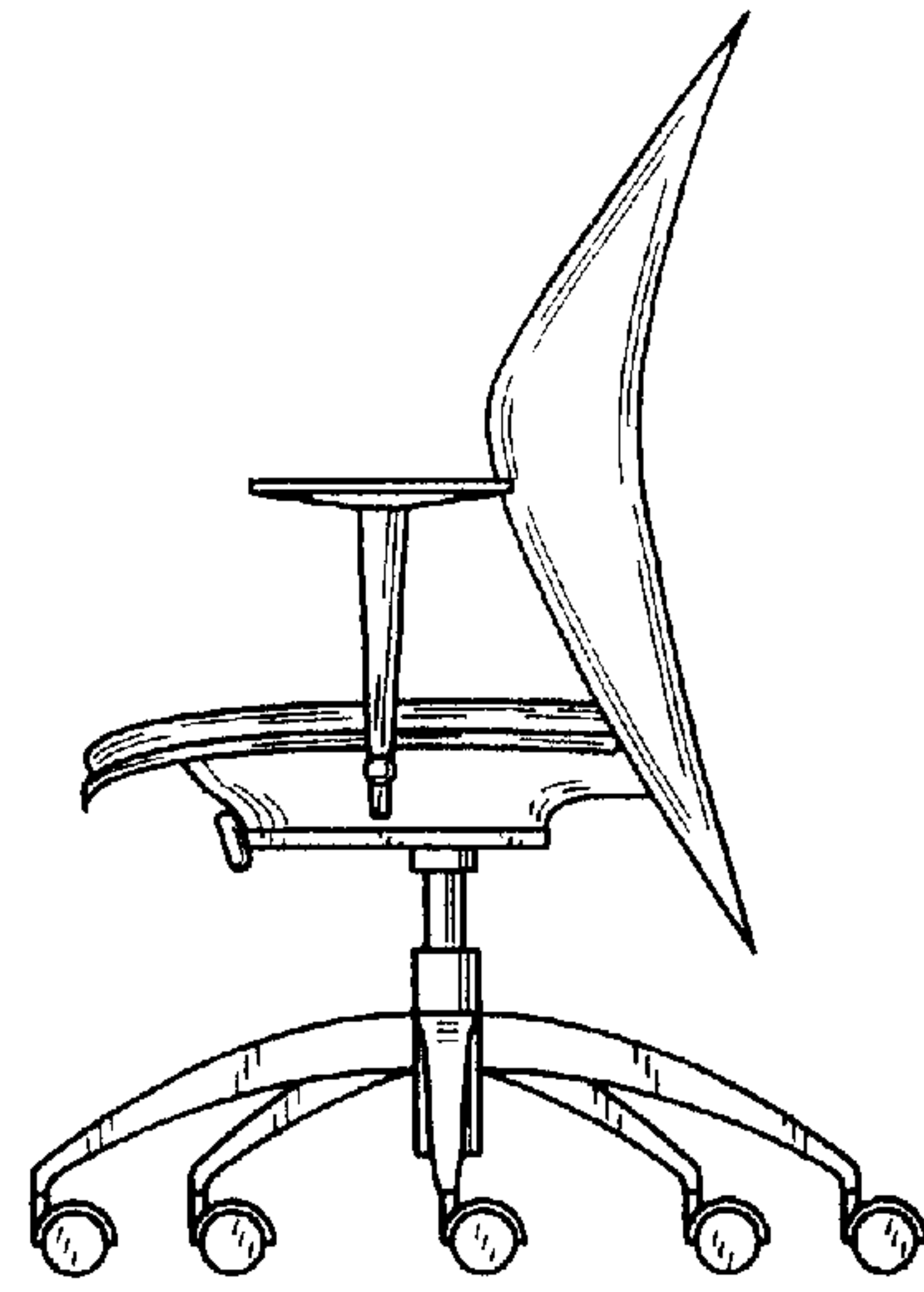


FIG. 2

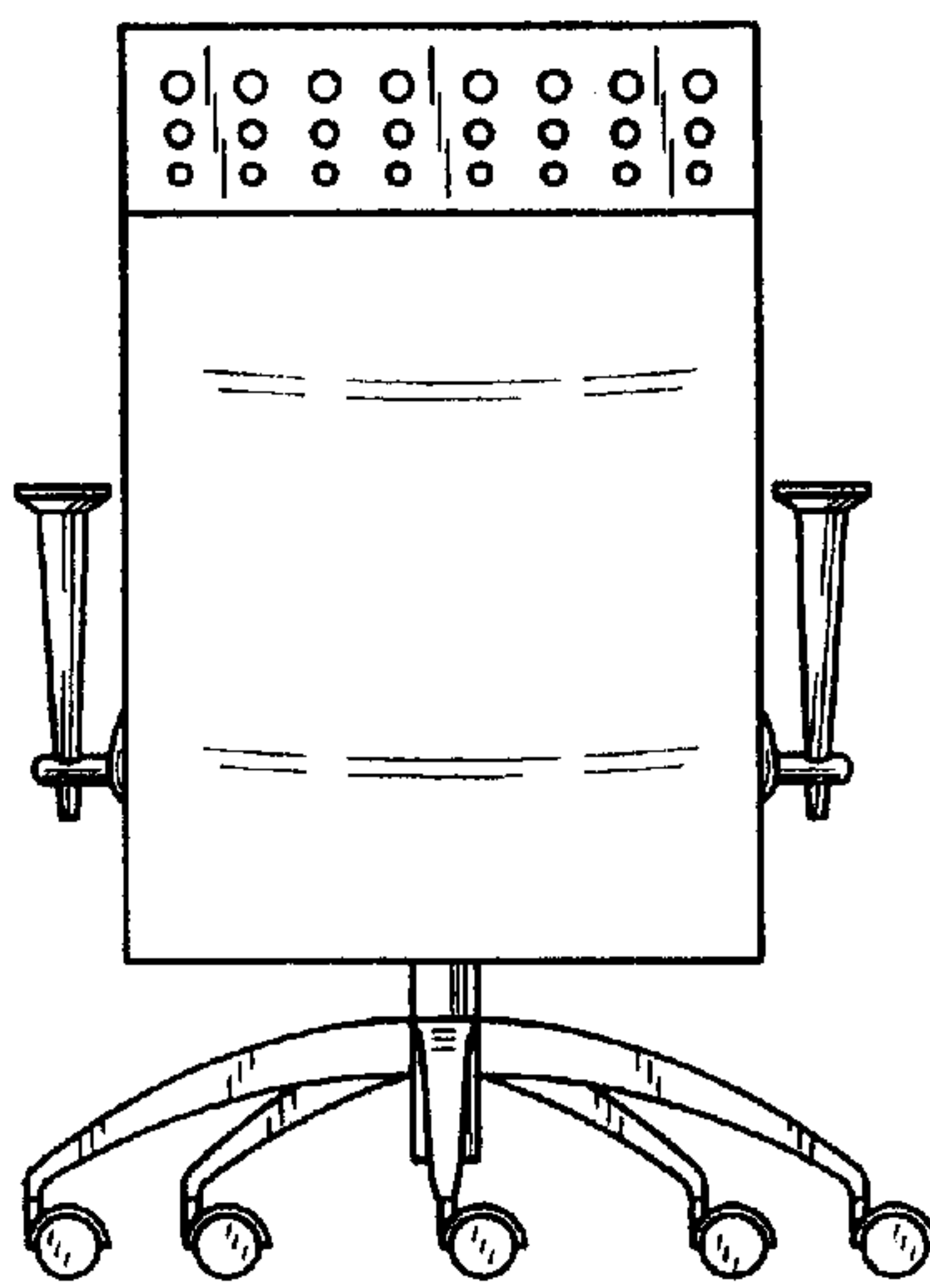


FIG. 3



FIG. 4

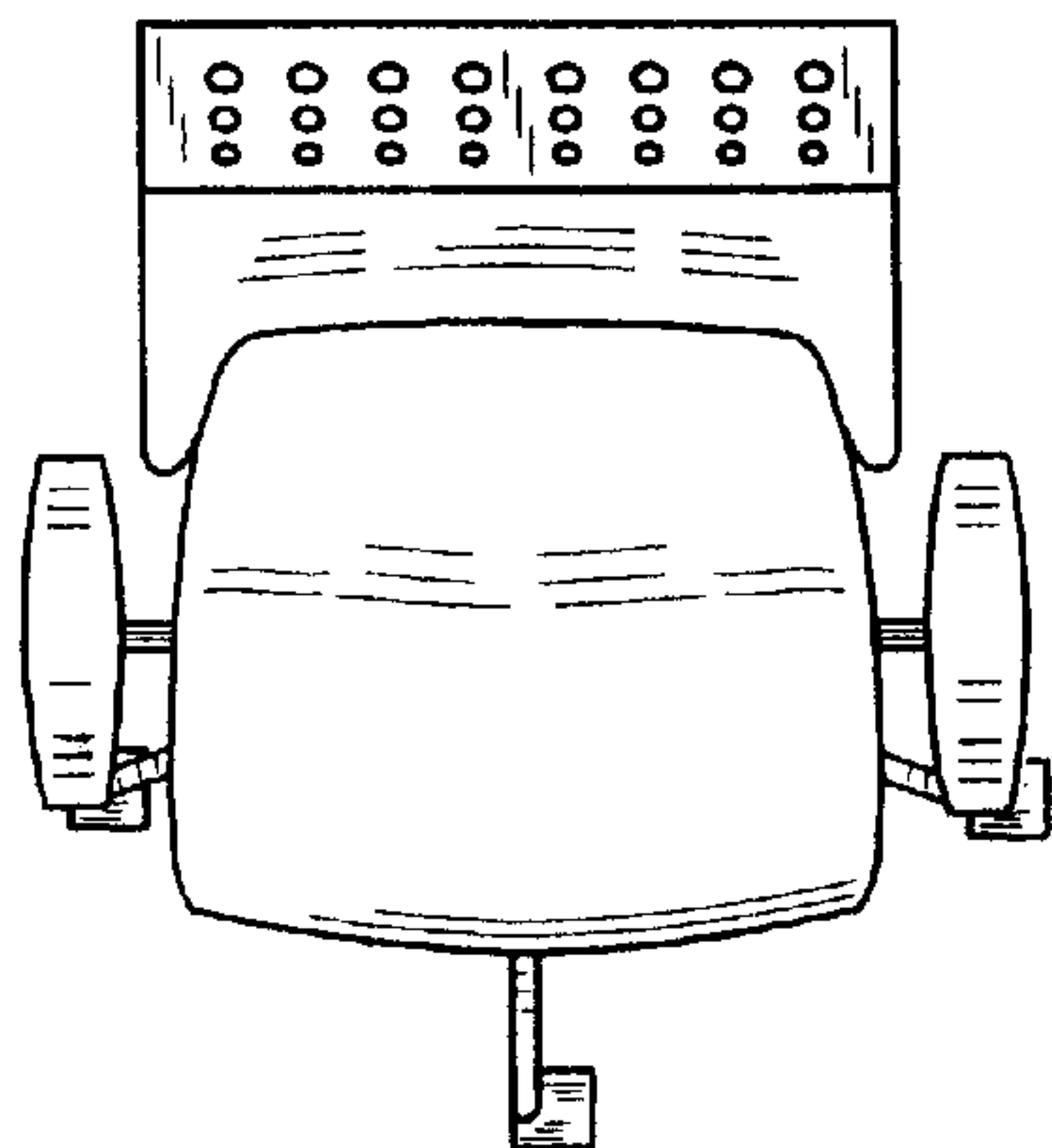


FIG. 5

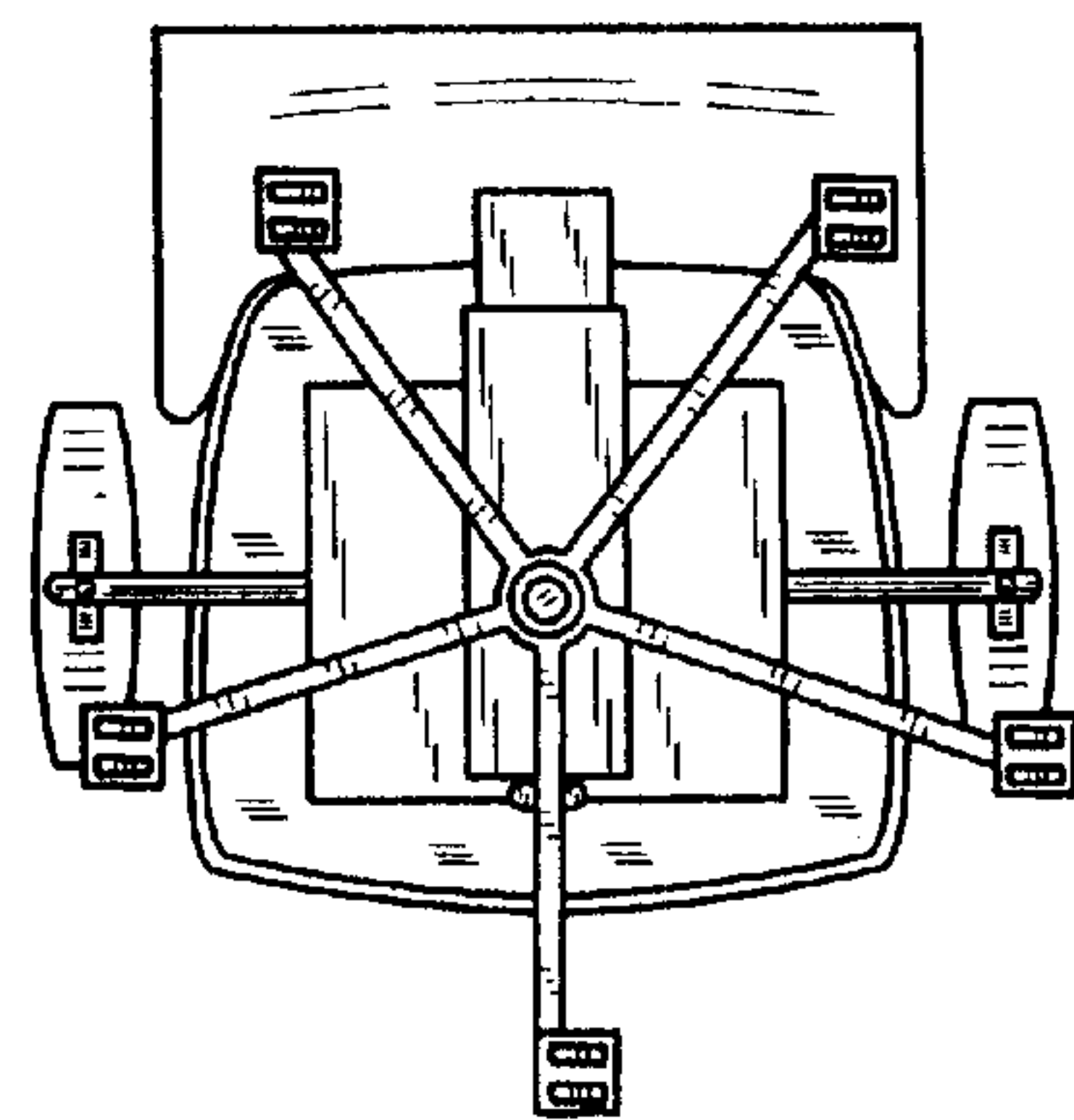


FIG. 6