



US00D484705S

(12) **United States Design Patent**  
**Dotterman et al.**

(10) **Patent No.:** **US D484,705 S**

(45) **Date of Patent:** **\*\* Jan. 6, 2004**

(54) **KITCHEN TOOL WITH DETACHABLE HEAD**

(75) Inventors: **Perry S. Dotterman**, Maplewood, MN (US); **Arthur V. Lang**, Maplewood, MN (US); **Steven J. Maxa**, Burnsville, MN (US)

(73) Assignee: **3M Innovative Properties Company**, St. Paul, MN (US)

(\*\*) Term: **14 Years**

(21) Appl. No.: **29/151,007**

(22) Filed: **Nov. 15, 2001**

(51) **LOC (7) Cl.** ..... **04-01**

(52) **U.S. Cl.** ..... **D4/138; D32/42**

(58) **Field of Search** ..... D4/114, 118, 132, D4/138, 199; D32/40, 42, 45, 51; 15/111, 209.1, 210.1, 244.1; 401/183, 184, 196, 206, 207, 266, 37, 38, 272, 274

(56) **References Cited**

**U.S. PATENT DOCUMENTS**

D126,041 S	3/1941	Cosby	
D149,677 S	5/1948	Robin	
D192,298 S	2/1962	Hvale et al.	
D193,496 S	8/1962	Jacoff	
D330,788 S	* 11/1992	Berti	D32/45
D356,446 S	3/1995	Hoagland	
5,454,659 A	* 10/1995	Vosbikian et al.	401/207
D373,904 S	9/1996	Vanderhoef et al.	
D383,049 S	9/1997	Concari et al.	
D395,217 S	6/1998	Start	
5,794,302 A	8/1998	Lin	
D403,946 S	1/1999	Shih	
D411,077 S	6/1999	Kwok	
D417,121 S	11/1999	Brunianyn	
D420,887 S	2/2000	Chen	
D438,013 S	2/2001	Hay	

D439,052 S	3/2001	Hay	
D439,053 S	3/2001	Hay	
6,250,833 B1 *	6/2001	Perry et al.	401/206 X
D445,257 S	7/2001	Hay	
6,290,512 B1	9/2001	Mullen, Jr.	
D448,973 S	10/2001	Hay et al.	
D461,058 S	8/2002	Hay	
D473,057 S	4/2003	Chan	
D473,716 S	4/2003	Nykoluk	

**FOREIGN PATENT DOCUMENTS**

GB 2222298 2/1990

**OTHER PUBLICATIONS**

HK TM Reg. No. 200103397, filed Mar. 1, 2001, Hayco Manufacturing Limited, Handle. Brochure entitled "Scotch-Brite® Dishwand" from 3M Home Care Division; 2001 (70-0708-9685-0 (81.5) DPI) 1 pg.

\* cited by examiner

*Primary Examiner*—Alan P. Douglas  
*Assistant Examiner*—Lavone D. Tabor

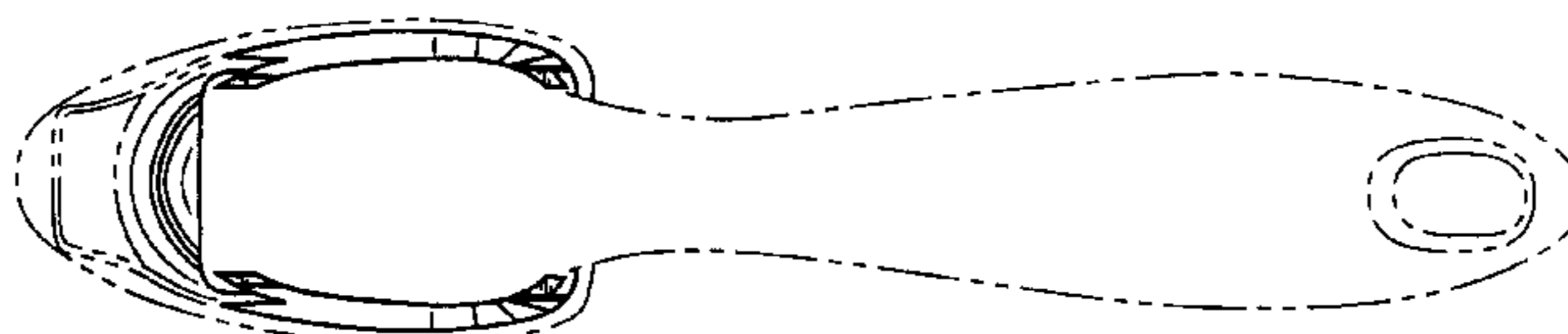
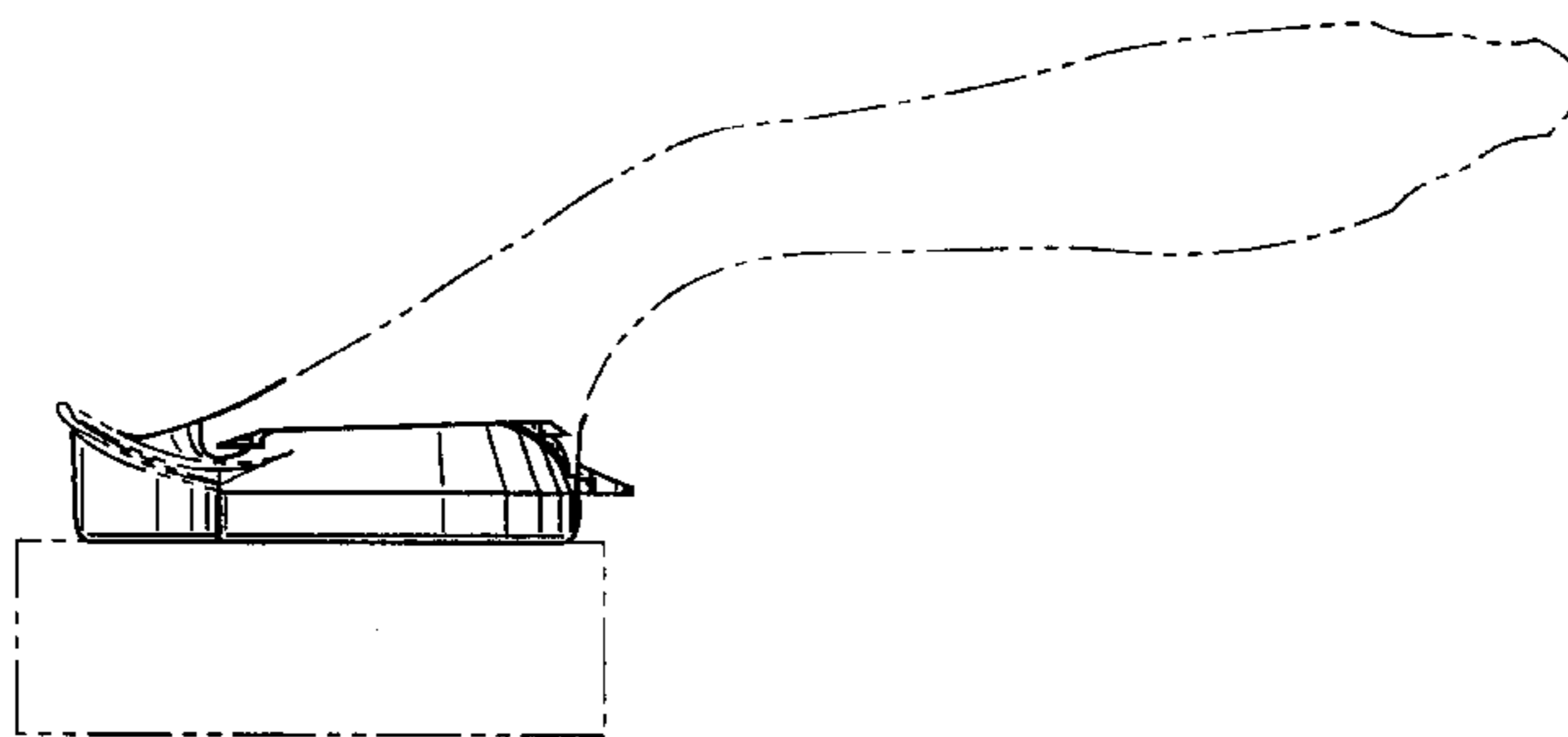
(57) **CLAIM**

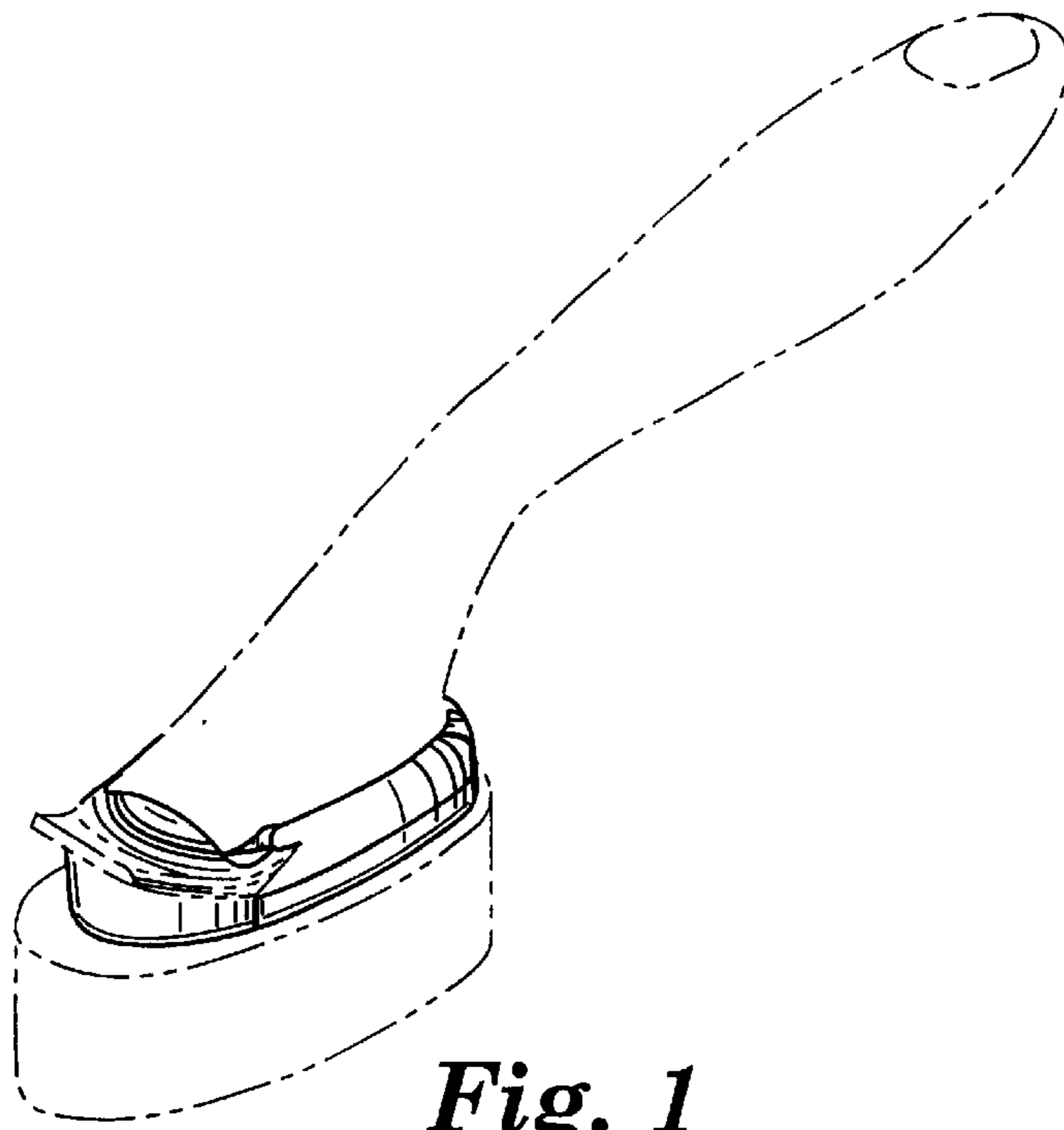
The ornamental design for a kitchen tool with detachable head, substantially as shown and described.

**DESCRIPTION**

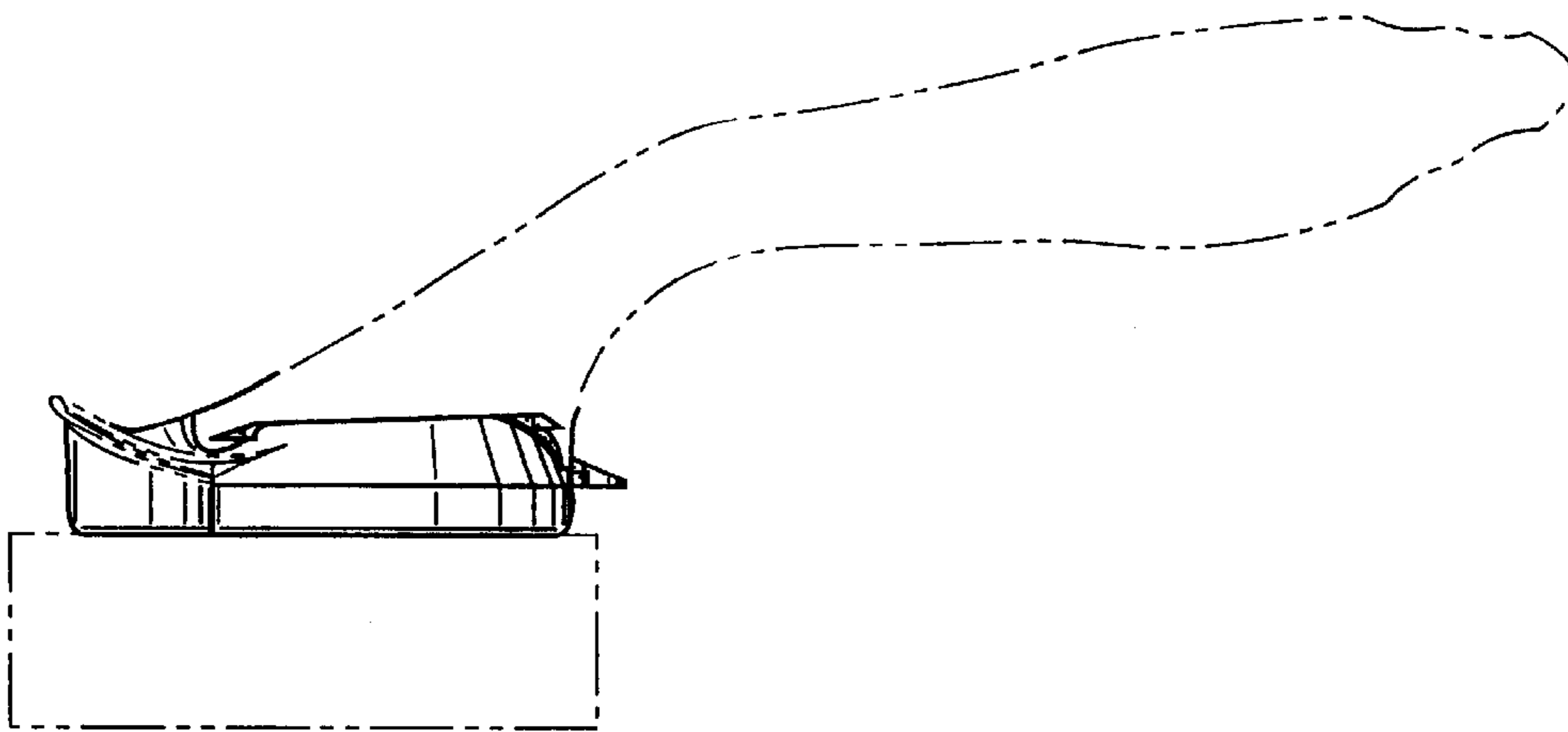
FIG. 1 is a perspective view of a kitchen tool with detachable head showing our new design; FIG. 2 is a side elevational view thereof; FIG. 3 is a top plan view thereof; FIG. 4 is a bottom elevational view thereof; FIG. 5 is a rear elevational view thereof; and, FIG. 6 is a front elevational view thereof. The broken lines immediately adjacent any shade lines represent the bounds of the claimed design and form no part thereof.

**1 Claim, 2 Drawing Sheets**

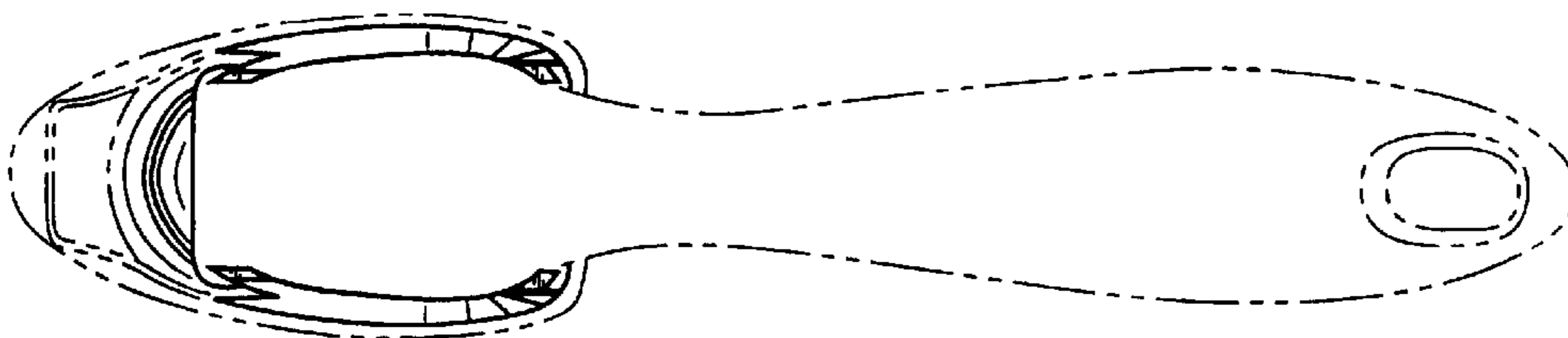




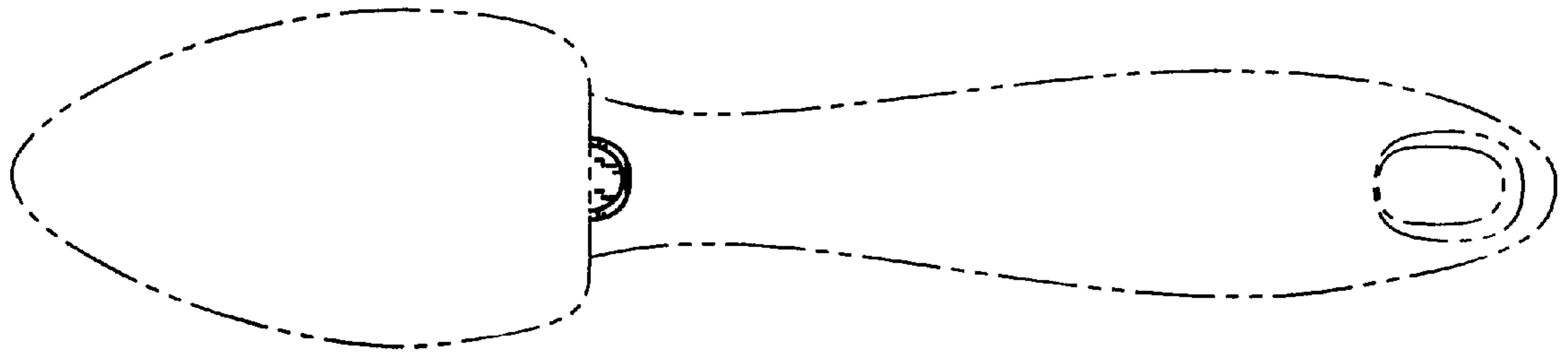
*Fig. 1*



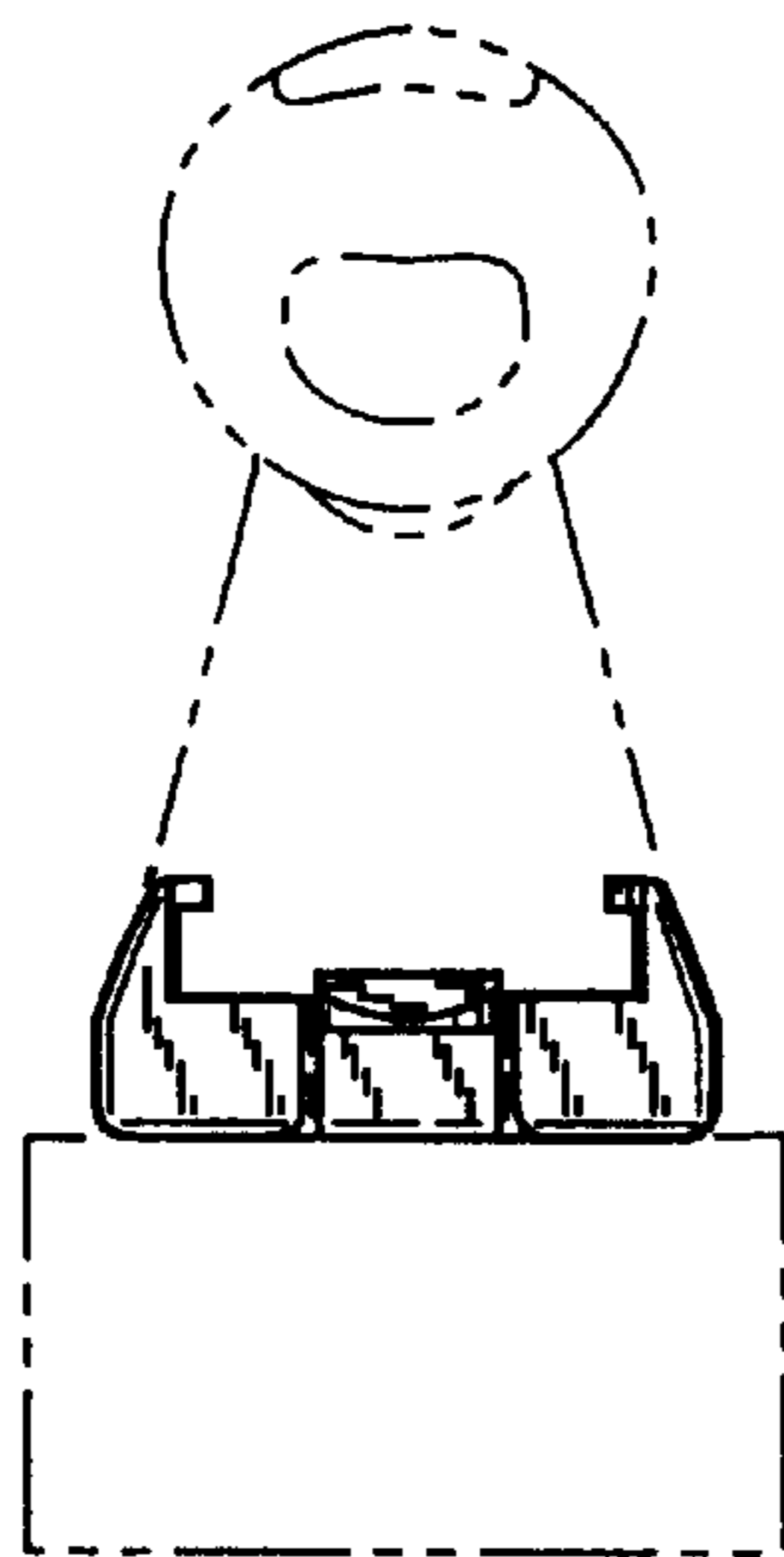
*Fig. 2*



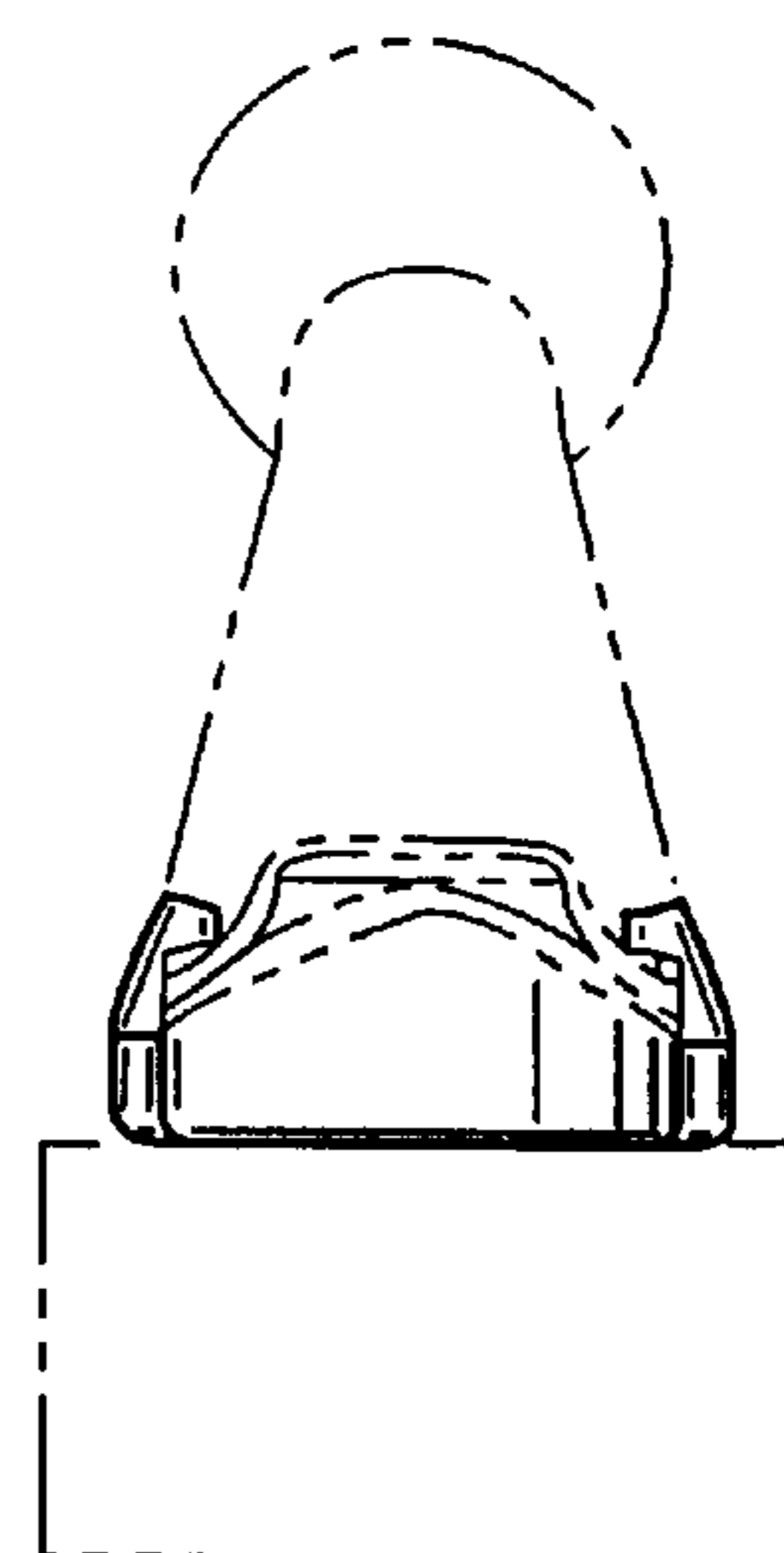
*Fig. 3*



*Fig. 4*



*Fig. 5*



*Fig. 6*