



US00D484702S

(12) **United States Design Patent**
Ramos

(10) **Patent No.:** **US D484,702 S**

(45) **Date of Patent:** **** Jan. 6, 2004**

(54) **HAIRBRUSH**

FOREIGN PATENT DOCUMENTS

(76) Inventor: **Mirna I. Ramos**, 9763 Spring Ridge Cir., Estero, FL (US) 33928

JP 2002-248017 * 9/2002 A46B/5/00

* cited by examiner

(**) Term: **14 Years**

Primary Examiner—Alan P. Douglas
Assistant Examiner—Lavone D. Tabor

(21) Appl. No.: **29/183,147**

(22) Filed: **Jun. 5, 2003**

(57) **CLAIM**

The ornamental design for a hairbrush, as shown and described.

(51) **LOC (7) Cl.** **04-02**

(52) **U.S. Cl.** **D4/102; D4/128**

DESCRIPTION

(58) **Field of Search** D4/100, 102, 128, D4/133, 138; D28/13, 15, 28, 35; 15/22.1, 23, 27, 143.1, 159.1, 160, 186, 187; 132/120, 212, 226, 229, 237-238, 262, 271, 313; 34/96-98; 392/384

FIG. 1 is a front elevational view of a hairbrush showing my new design;

FIG. 2 is a side view, taken from the left side of FIG. 1;

FIG. 3 is a side view, taken from the right side of FIG. 1;

FIG. 4 is a top plan view thereof; and,

FIG. 5 is a bottom plan view thereof.

The dotted lines showing a power cord in FIGS. 1-5 are for illustrative purposes only and forms no part of my claimed design.

(56) **References Cited**

U.S. PATENT DOCUMENTS

4,197,608 A * 4/1980 Holley et al. 15/27
6,098,635 A * 8/2000 Marino 132/238
6,363,215 B1 * 3/2002 Cafaro 392/384

1 Claim, 2 Drawing Sheets

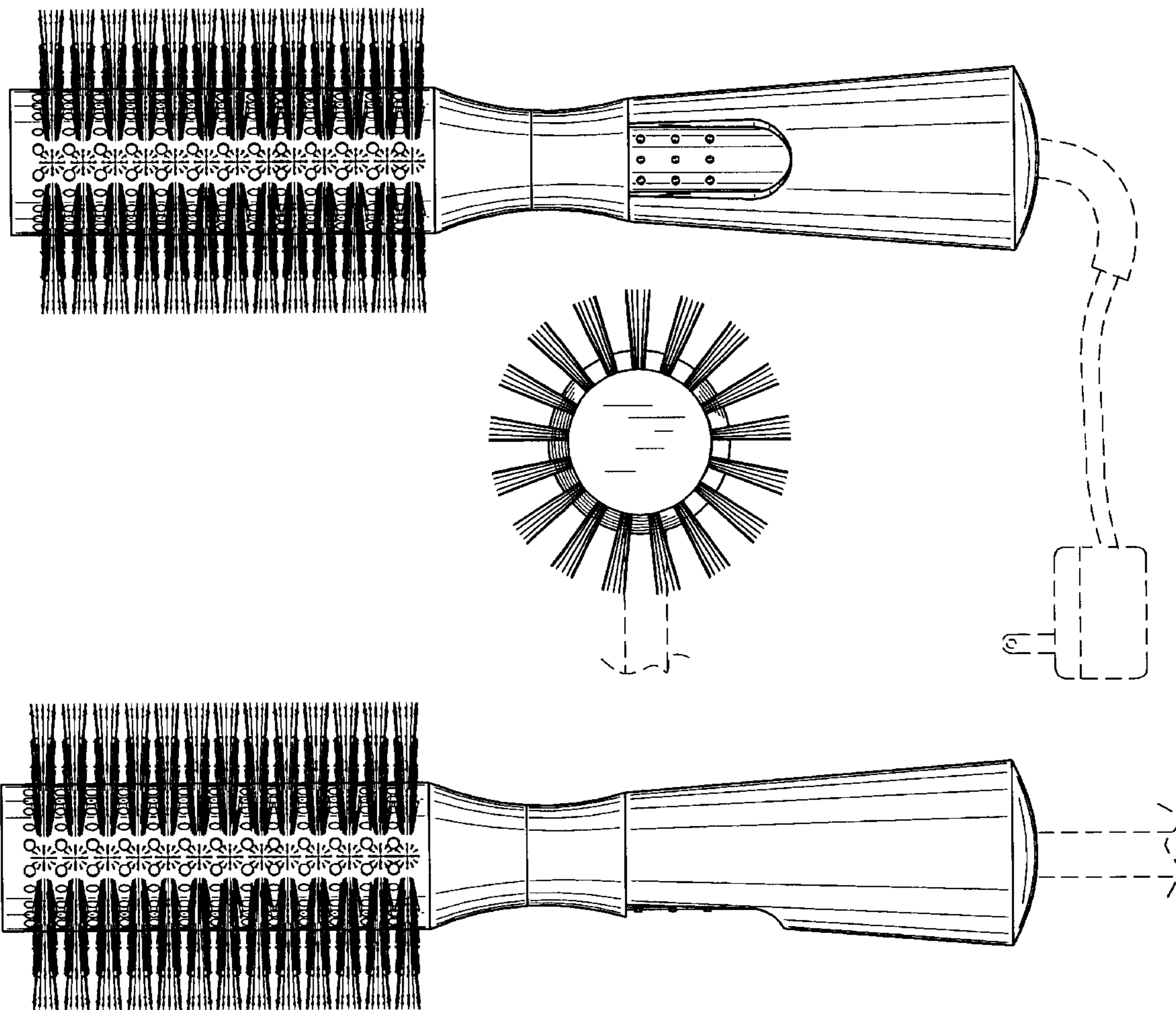


FIG. 1

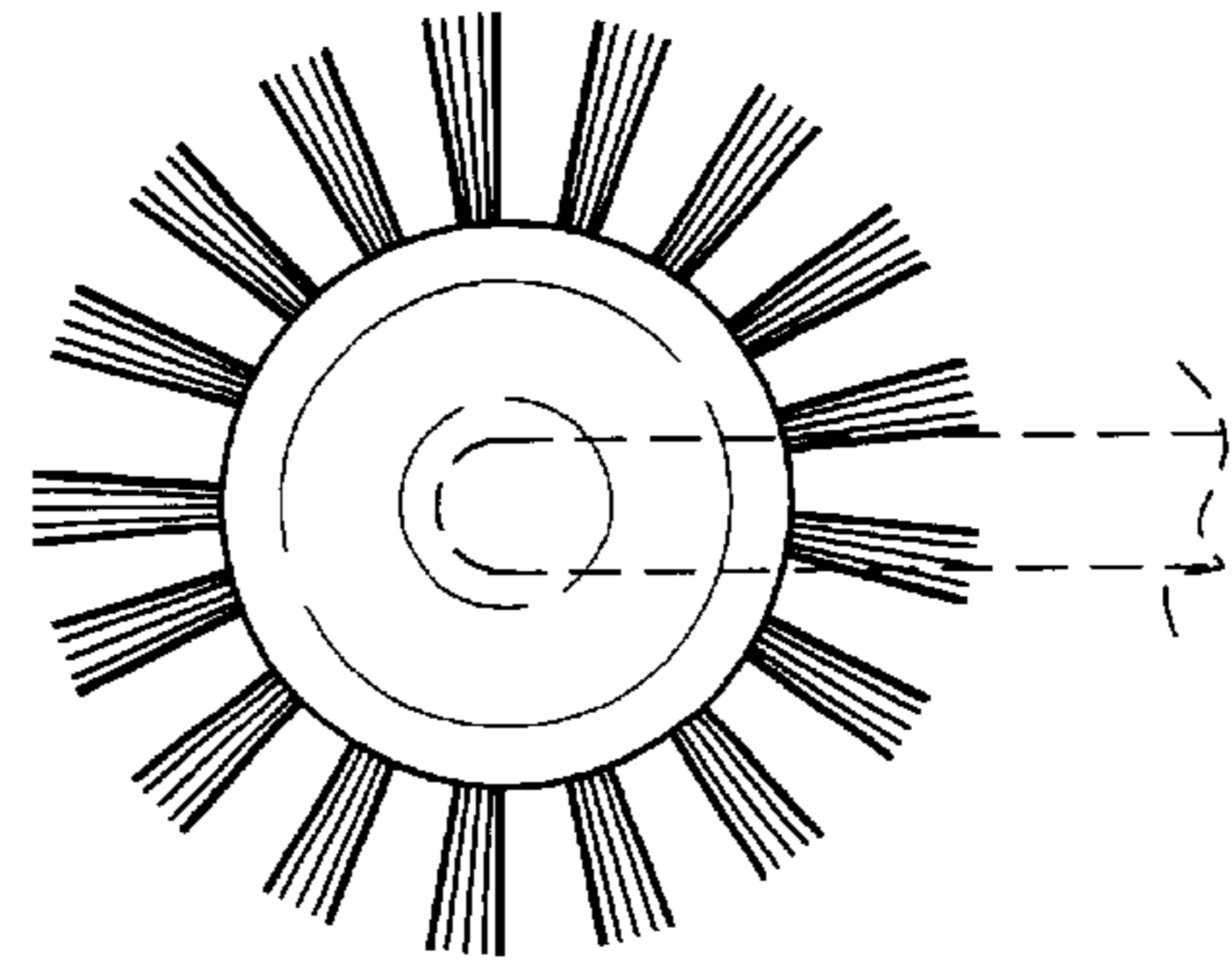
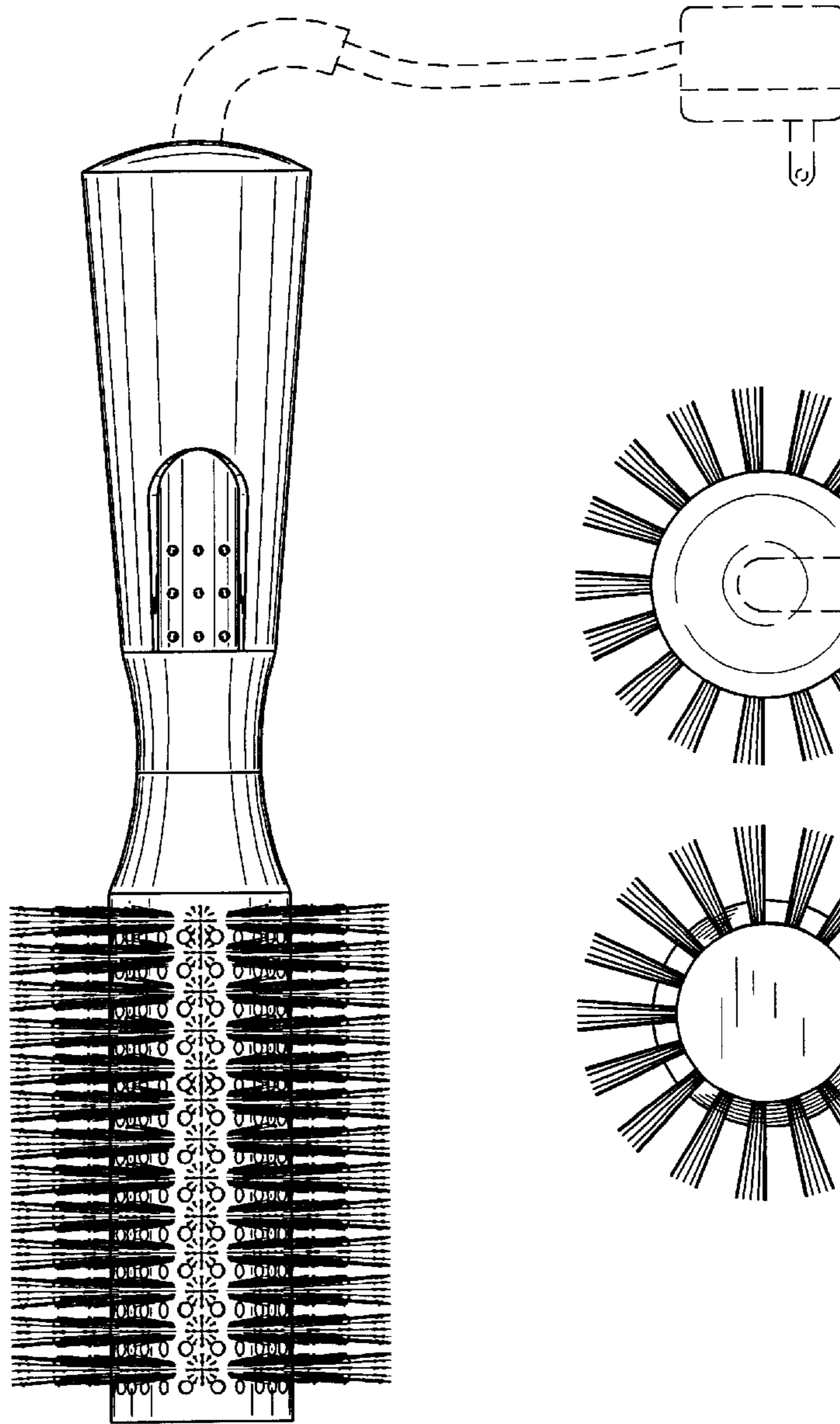


FIG. 3

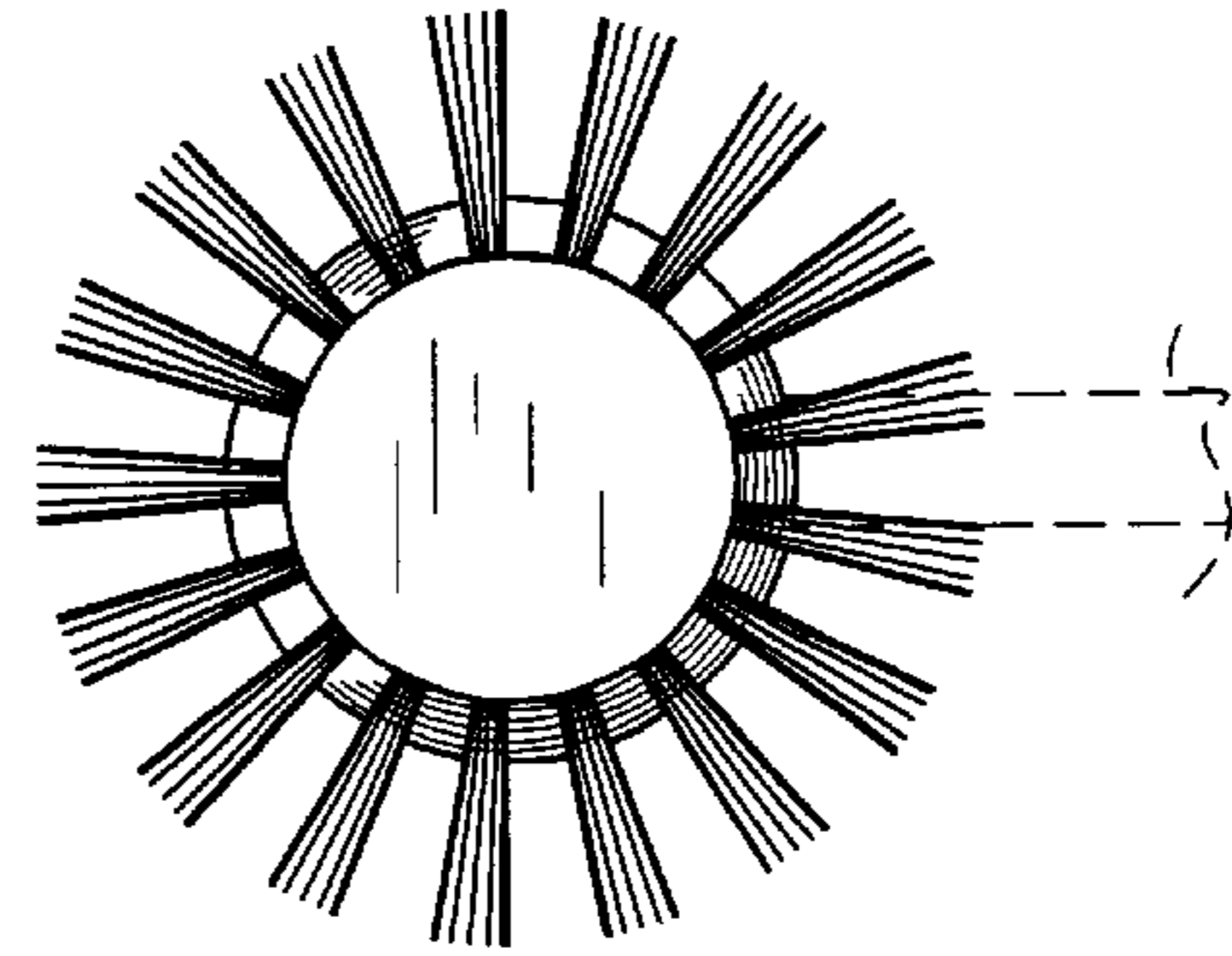


FIG. 2

FIG. 4

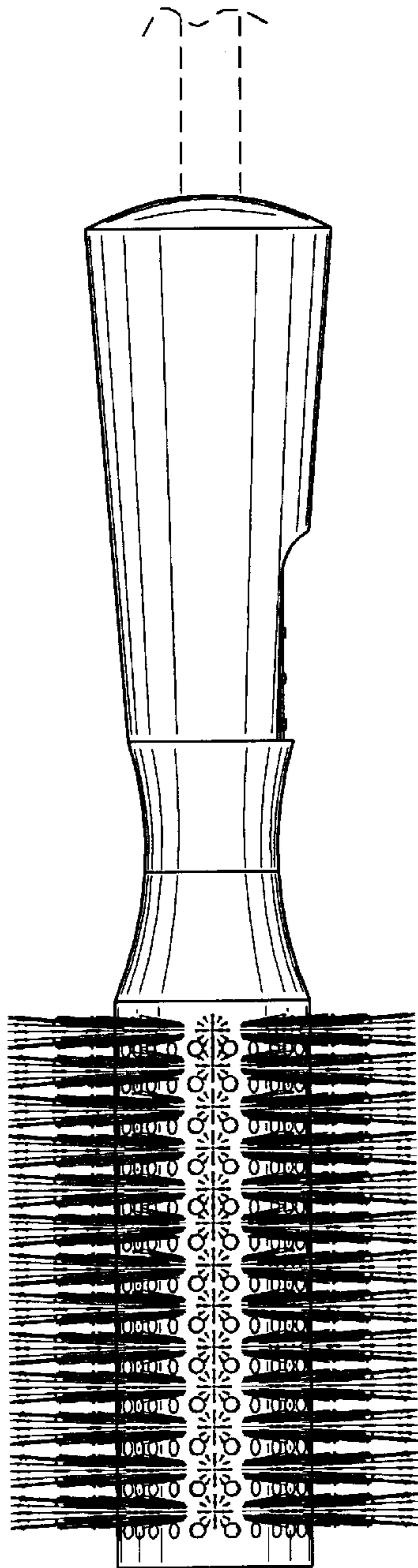


FIG. 5

