



US00D484700S

(12) **United States Design Patent**
Weiser et al.

(10) **Patent No.:** **US D484,700 S**

(45) **Date of Patent:** **** Jan. 6, 2004**

(54) **ROD SUPPORTED CONTAINER**

(75) Inventors: **Isaac Weiser**, Tarzana, CA (US);
Margaret Weiser, Tarzana, CA (US)

(73) Assignee: **Exhart Environmental Systems, Inc.**,
Chatsworth, CA (US)

(**) Term: **14 Years**

(21) Appl. No.: **29/168,241**

(22) Filed: **Sep. 27, 2002**

(51) **LOC (7) Cl.** **03-01**

(52) **U.S. Cl.** **D3/313**

(58) **Field of Search** D3/304, 307-315;
D6/524; 15/264; 220/475, 752, 756, 771,
555, 553, 904, DIG. 14; D32/53, 53.1,
55; 206/503, 506, 509, 515, 518

(56) **References Cited**

U.S. PATENT DOCUMENTS

D236,075 S * 7/1975 Golden et al. D32/53
D314,279 S * 2/1991 Hotchkiss D3/309

D342,813 S * 12/1993 Verchere D32/55

D363,627 S * 10/1995 North D6/513

6,062,389 A * 5/2000 Kent 206/518

* cited by examiner

Primary Examiner—Louis S. Zarfes

Assistant Examiner—Deanne Levy

(74) *Attorney, Agent, or Firm*—Cislo & Thomas, LLP

(57) **CLAIM**

The ornamental design for a rod supported container, as shown and described herein.

DESCRIPTION

FIG. 1 is a perspective view of our rod supported container with the dotted line showing being for illustrative purposes only;

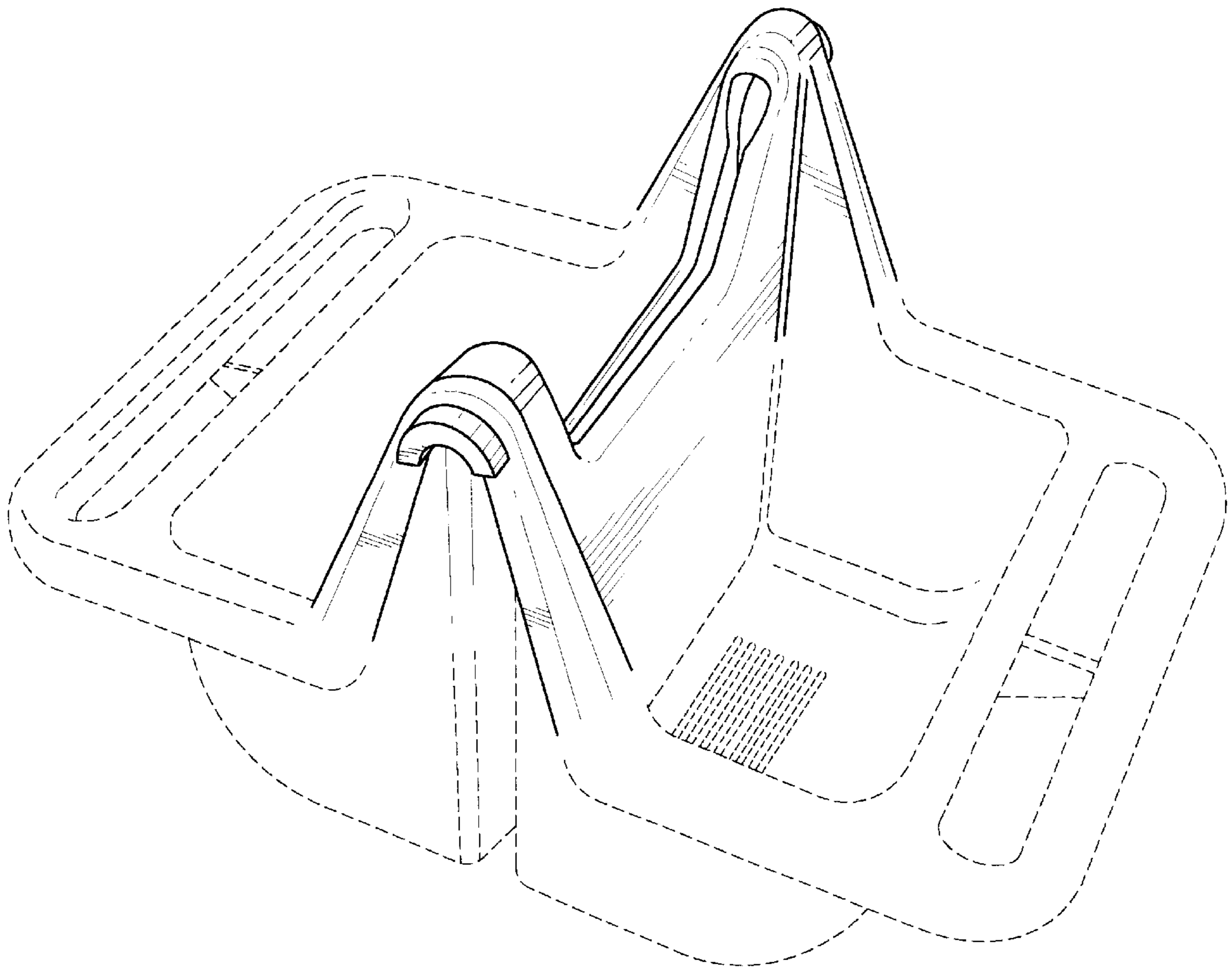
FIG. 2 is a front view thereof with the back view being a substantial mirror image thereof.

FIG. 3 is a right side elevational view with the left side elevational view being a substantial mirror image thereof;

FIG. 4 is a top view thereof; and,

FIG. 5 is a bottom view thereof.

1 Claim, 2 Drawing Sheets



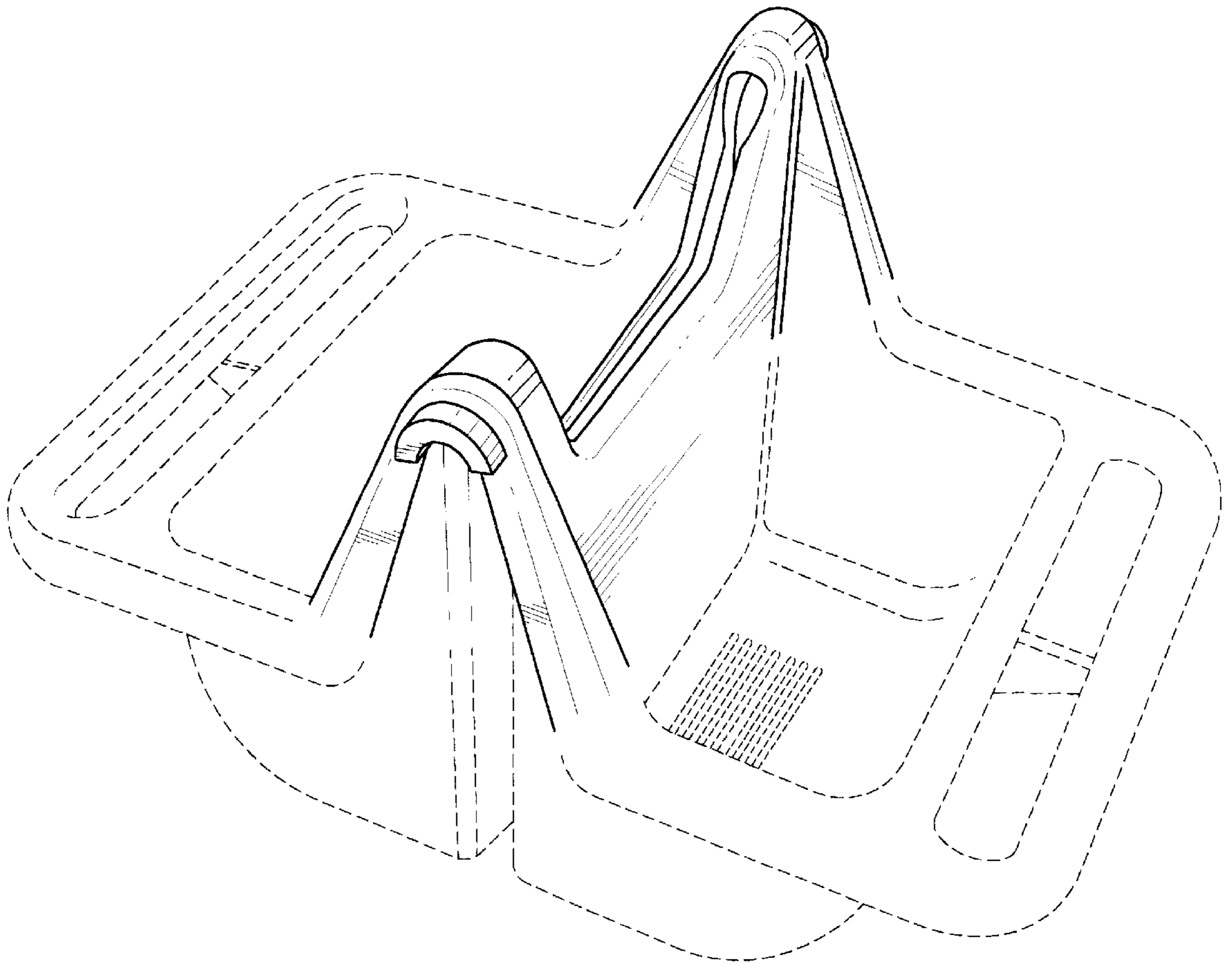


FIG. 1

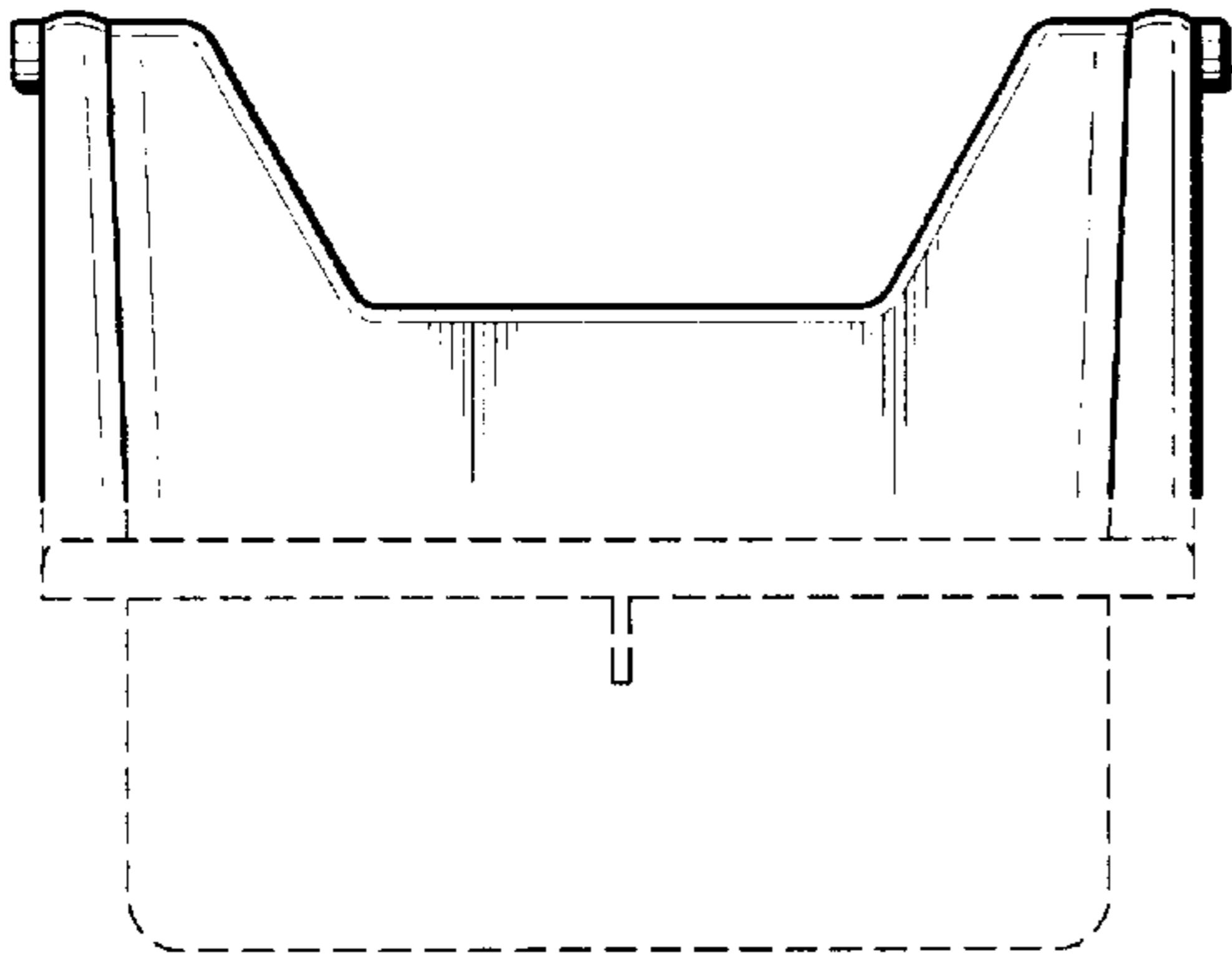


FIG. 2

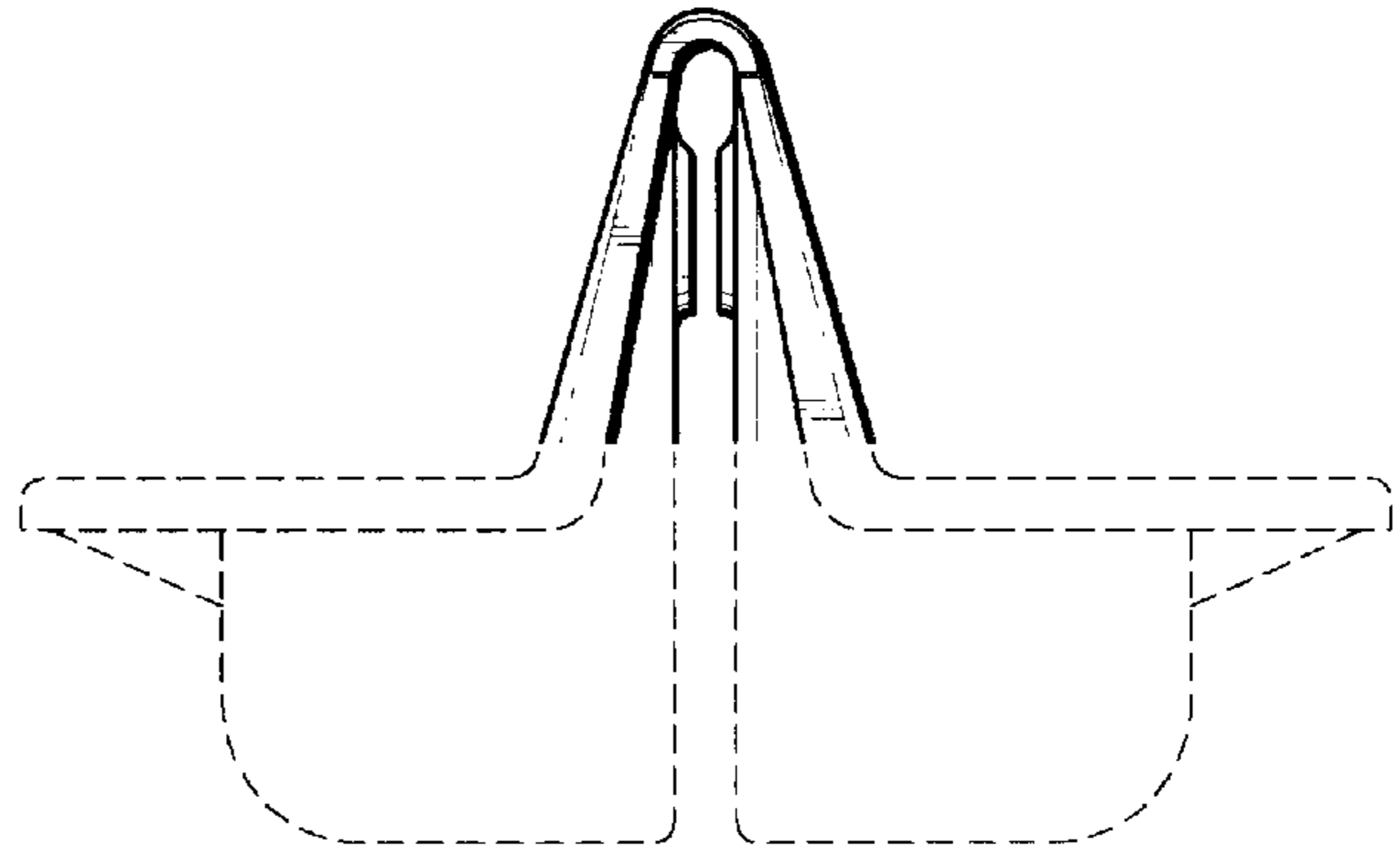


FIG. 3

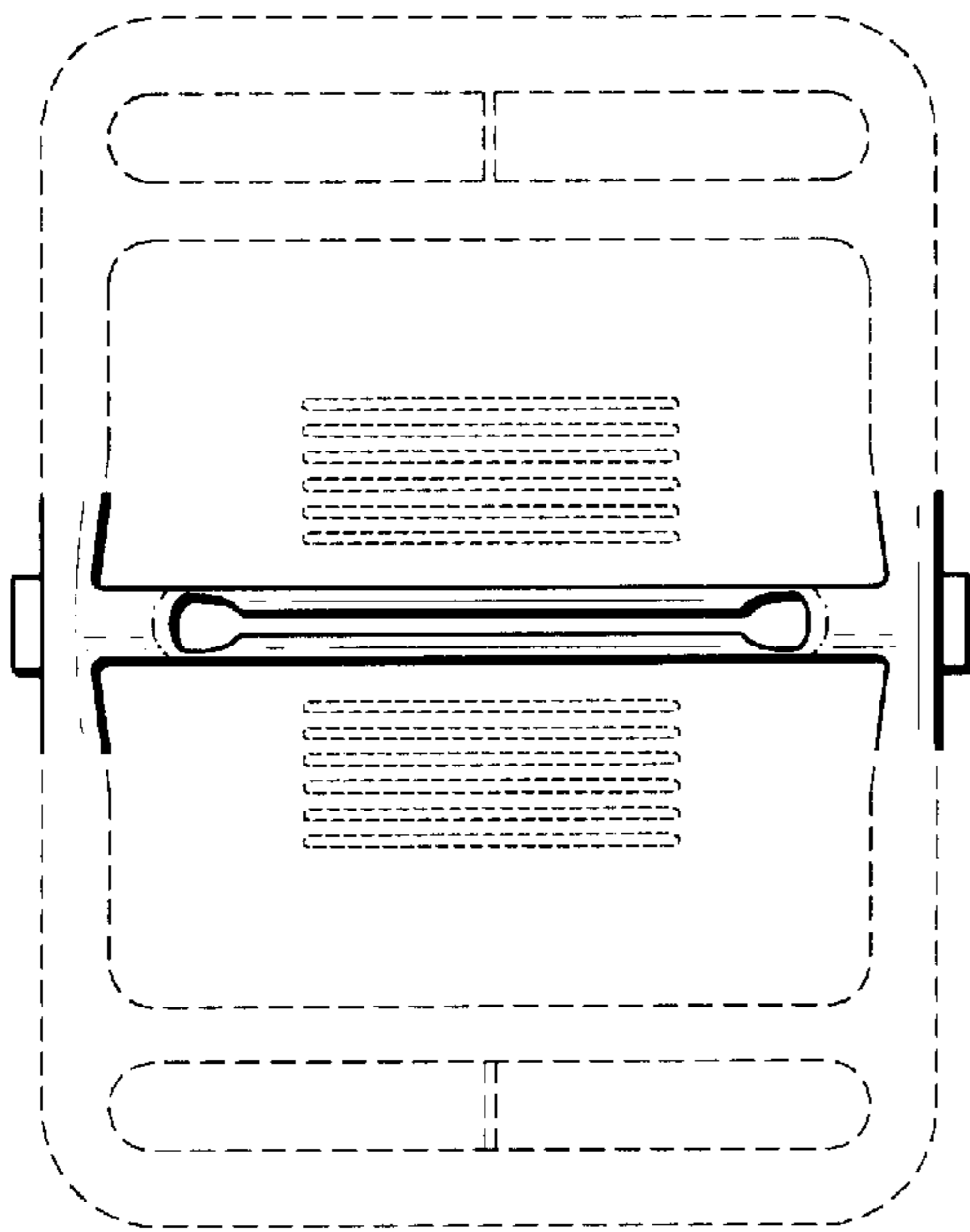


FIG. 4

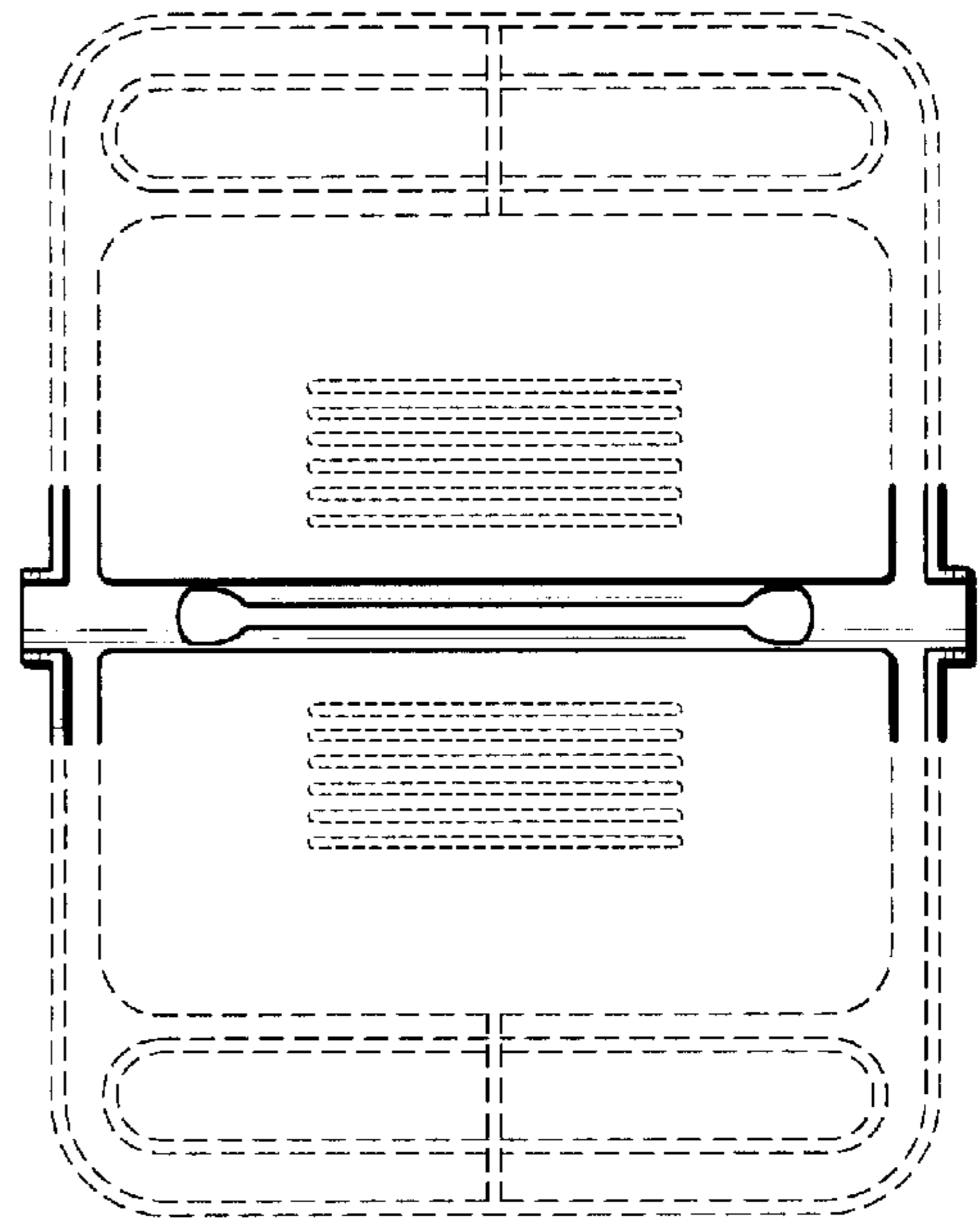


FIG. 5