



US00D484694S

(12) **United States Design Patent**  
**Leen**

(10) **Patent No.:** **US D484,694 S**

(45) **Date of Patent:** **\*\* Jan. 6, 2004**

(54) **ROUNDED EDGE LAMP STORAGE BOX**

(76) Inventor: **Monte A. Leen**, 11730 NE. 12th St.,  
Bellevue, WA (US) 98005-2458

(\*\*) Term: **14 Years**

(21) Appl. No.: **29/177,764**

(22) Filed: **Mar. 13, 2003**

(51) **LOC (7) Cl.** ..... **03-01**

(52) **U.S. Cl.** ..... **D3/273; D3/294**

(58) **Field of Search** ..... D3/254, 269, 300,  
D3/260, 294, 273; D9/428; 206/418, 419,  
315.11, 443, 523; D21/392

(56) **References Cited**

**U.S. PATENT DOCUMENTS**

2,962,187	A	*	11/1960	Morris	.....	220/780
D273,403	S	*	4/1984	DeLuca	.....	D21/392
D283,758	S	*	5/1986	Stewart et al.	.....	D7/703
4,662,535	A	*	5/1987	Loveland	.....	220/367.1
D291,842	S	*	9/1987	Baumgardner	.....	D3/254
5,425,194	A	*	6/1995	Miller	.....	43/26

5,515,971	A	*	5/1996	Segrest	.....	206/418
D399,540	S	*	10/1998	Wolfenstein	.....	D21/392
5,845,989	A		12/1998	Leen	.....	362/410
5,934,468	A	*	8/1999	Scott	.....	206/418
6,416,206	B1		7/2002	Leen	.....	362/410
D478,726	S	*	8/2003	Masso et al.	.....	D3/300

\* cited by examiner

*Primary Examiner*—Philip S. Hyder

(57) **CLAIM**

The ornamental design for a rounded edge lamp storage box, as shown and described.

**DESCRIPTION**

FIG. 1 is a perspective view of the rounded edge lamp storage box.

FIG. 2 is a rear elevational view of the invention.

FIG. 3 is a front elevational view of the invention.

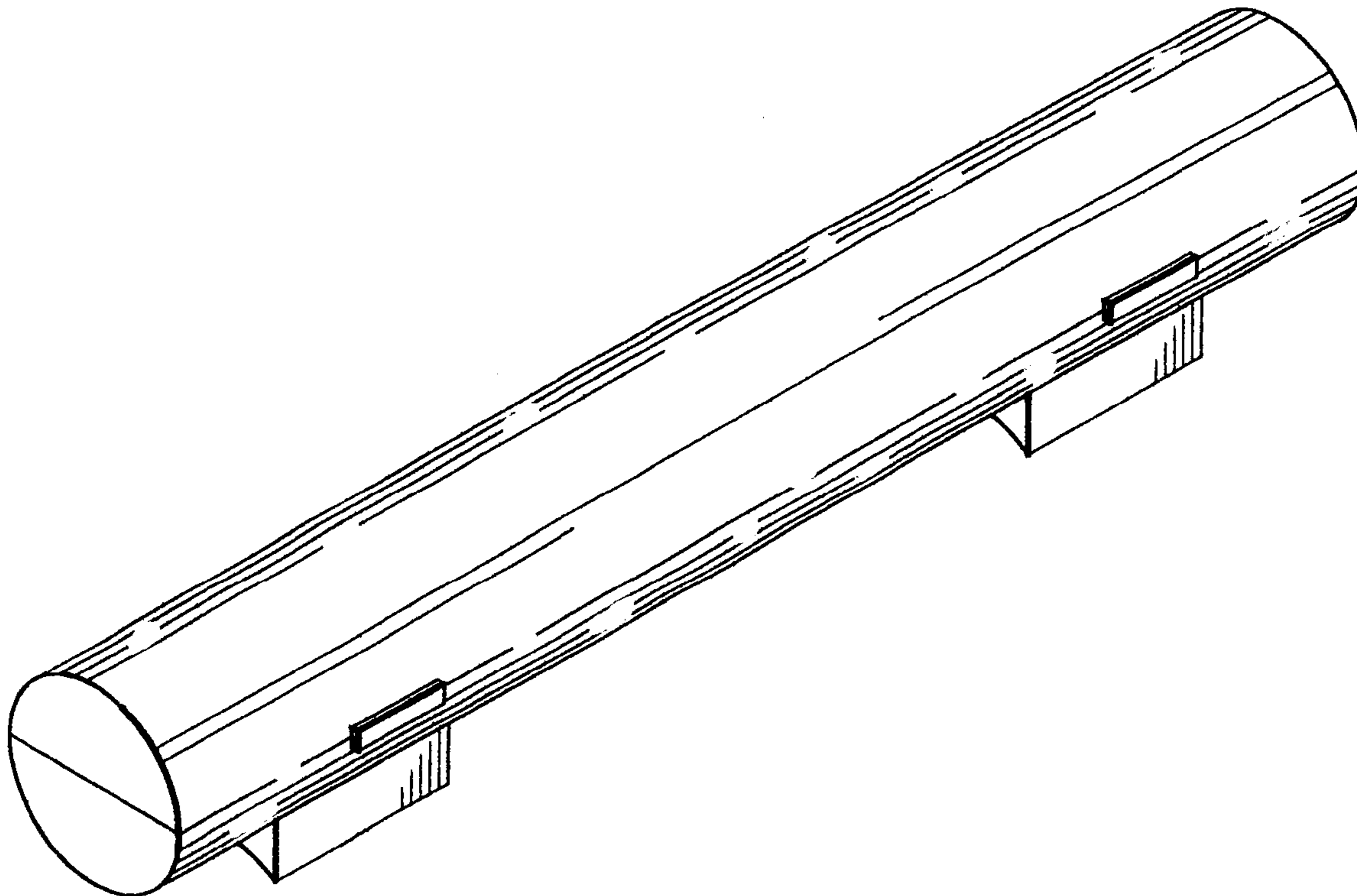
FIG. 4 is a top plan view of the invention.

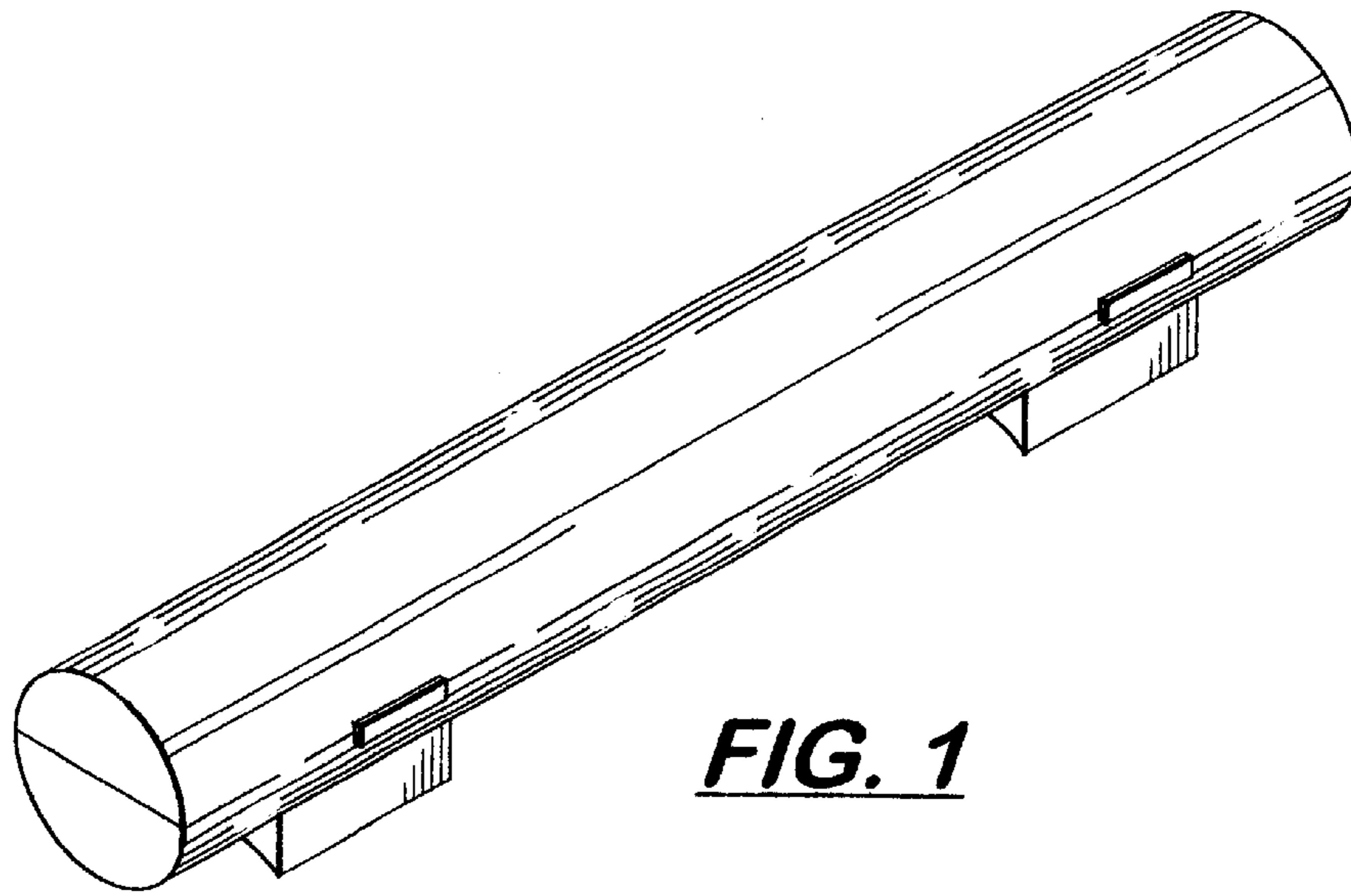
FIG. 5 is a bottom plan view of the invention.

FIG. 6 is a right side elevational view of the invention; and,

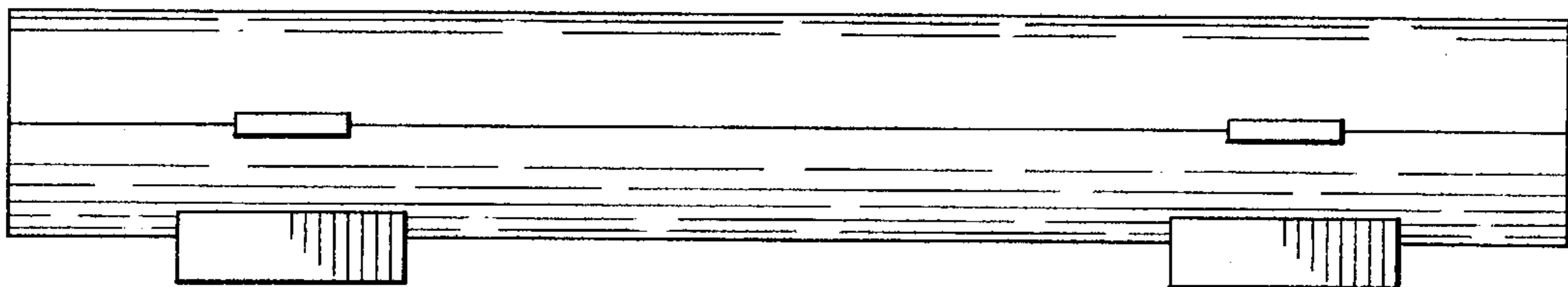
FIG. 7 is a left side elevational view of the invention.

**1 Claim, 2 Drawing Sheets**

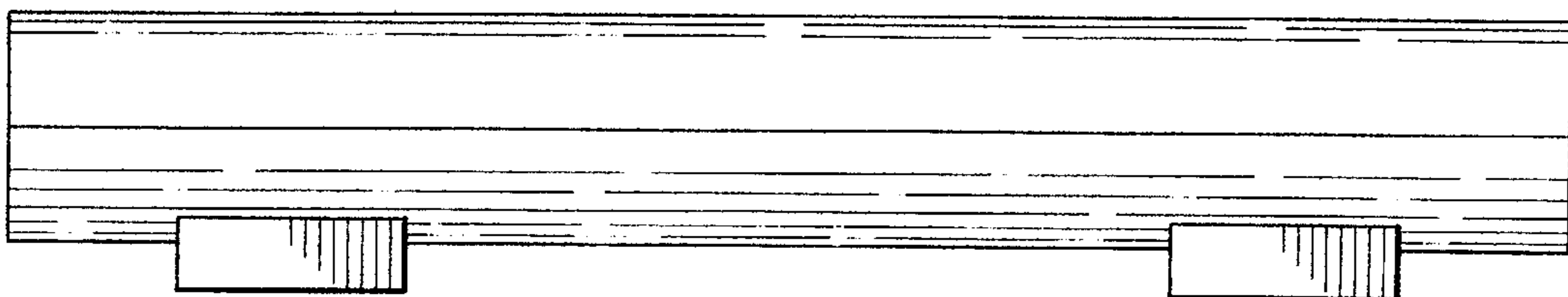




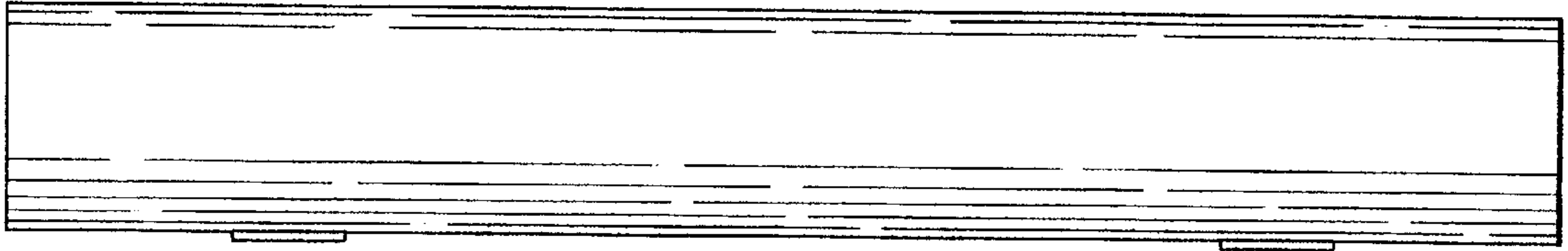
**FIG. 1**



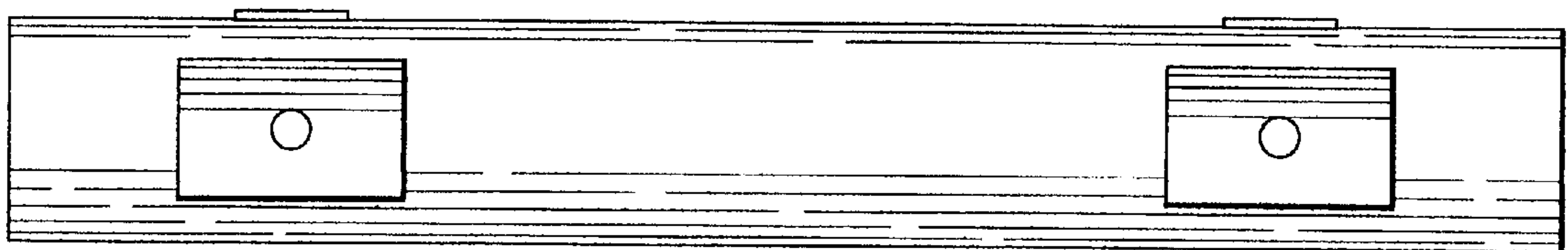
**FIG. 2**



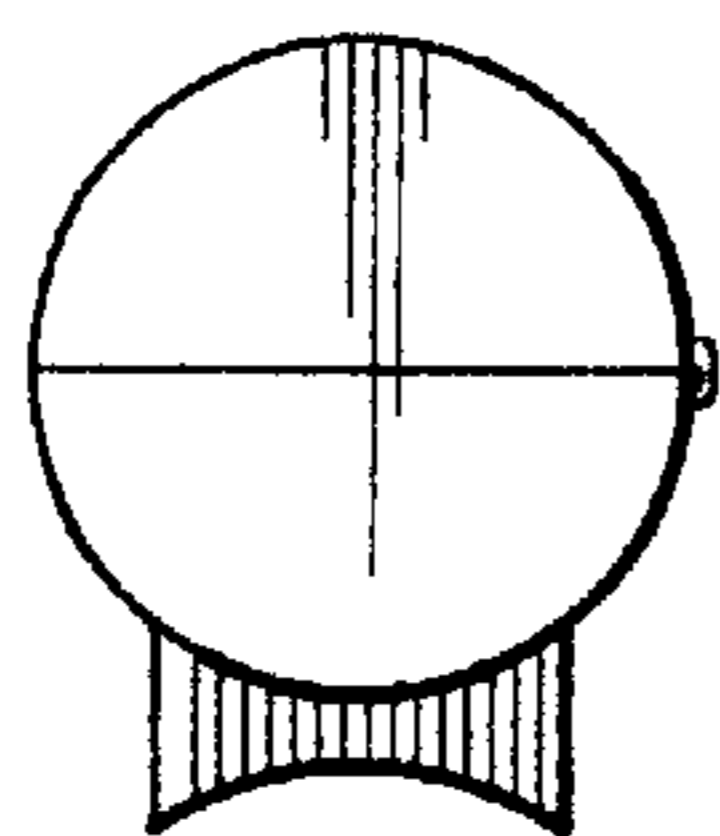
**FIG. 3**



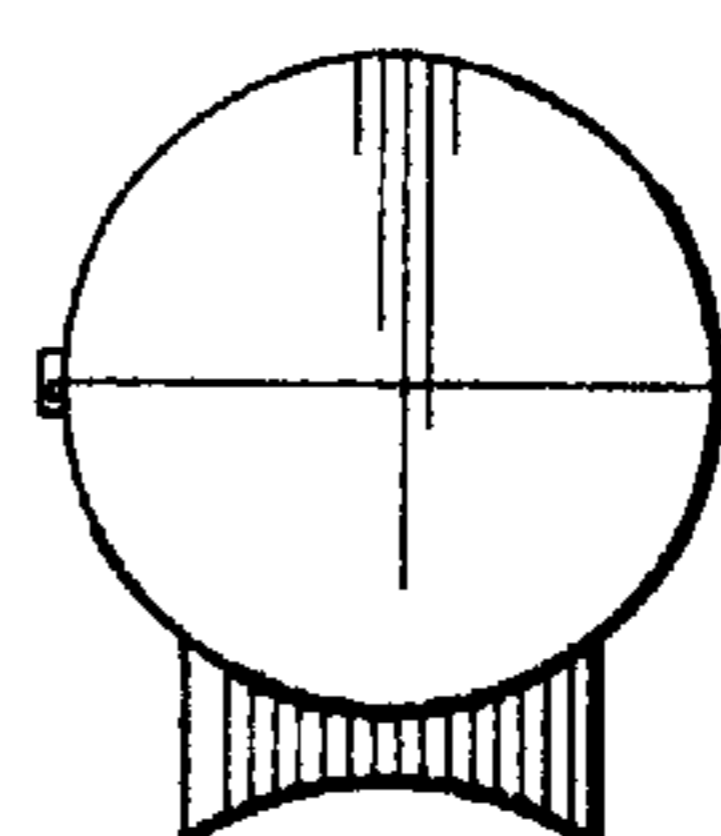
**FIG. 4**



**FIG. 5**



**FIG. 6**



**FIG. 7**