



US00D484693S

(12) **United States Design Patent**
Au

(10) **Patent No.:**

US D484,693 S

(45) **Date of Patent:**

**** Jan. 6, 2004**

(54) **POUCH-SHAPED OPTICAL CASE**

(75) **Inventor: Kinsen Ka Fai Au, N.T. (HK)**

(73) **Assignee: Nationalpak Limited, Tuen Mun (HK)**

(**) **Term: 14 Years**

(21) **Appl. No.: 29/176,208**

(22) **Filed: Feb. 21, 2003**

(51) **LOC (7) Cl. 03-01**

(52) **U.S. Cl. D3/265**

(58) **Field of Search** D3/215, 219, 229,
D3/233, 249, 264, 265, 266, 267, 299;
D9/314, 451; D16/130; D26/138; 24/3.3,
3.11, 36; 206/5, 5.1; 211/85.1; 248/205.3,
206.2, 229.6, 231.54, 309.1, 316.7, 902

(56) **References Cited**

U.S. PATENT DOCUMENTS

D30,307 S	*	3/1899	Zoerb	
D74,101 S	*	12/1927	Day	D3/265
1,955,613 A	*	4/1934	Theilengerdes	
D93,249 S	*	9/1934	Splaine	D3/205
D96,588 S	*	8/1935	Carson	D3/205
2,022,316 A	*	11/1935	Jerry	206/5
3,323,638 A	*	6/1967	Dishart	
D259,596 S	*	6/1981	Gray	D3/205
D262,585 S	*	1/1982	Anema	D3/205
5,000,204 A	*	3/1991	Smith	134/6
5,615,765 A	*	4/1997	Roericht	206/45.23
D379,263 S	*	5/1997	Sussman	D3/264

D414,036 S	*	9/1999	Conway	D3/264
D425,300 S	*	5/2000	Wisniewski	D3/265
D426,381 S	*	6/2000	Au et al.	D3/265
D427,432 S	*	7/2000	Au et al.	D3/265
D430,727 S	*	9/2000	Wisniewski	D3/265
6,170,651 B1	*	1/2001	Taormina	206/5
D439,404 S	*	3/2001	Dar	D3/264
D441,953 S	*	5/2001	Ben Moshe	D3/265
D462,837 S	*	9/2002	Lin	D3/265
D472,377 S	*	4/2003	Tabacchi	D3/265

* cited by examiner

Primary Examiner—Celia Murphy

(74) *Attorney, Agent, or Firm*—Raymond Y. Chan; David and Raymond Patent Group

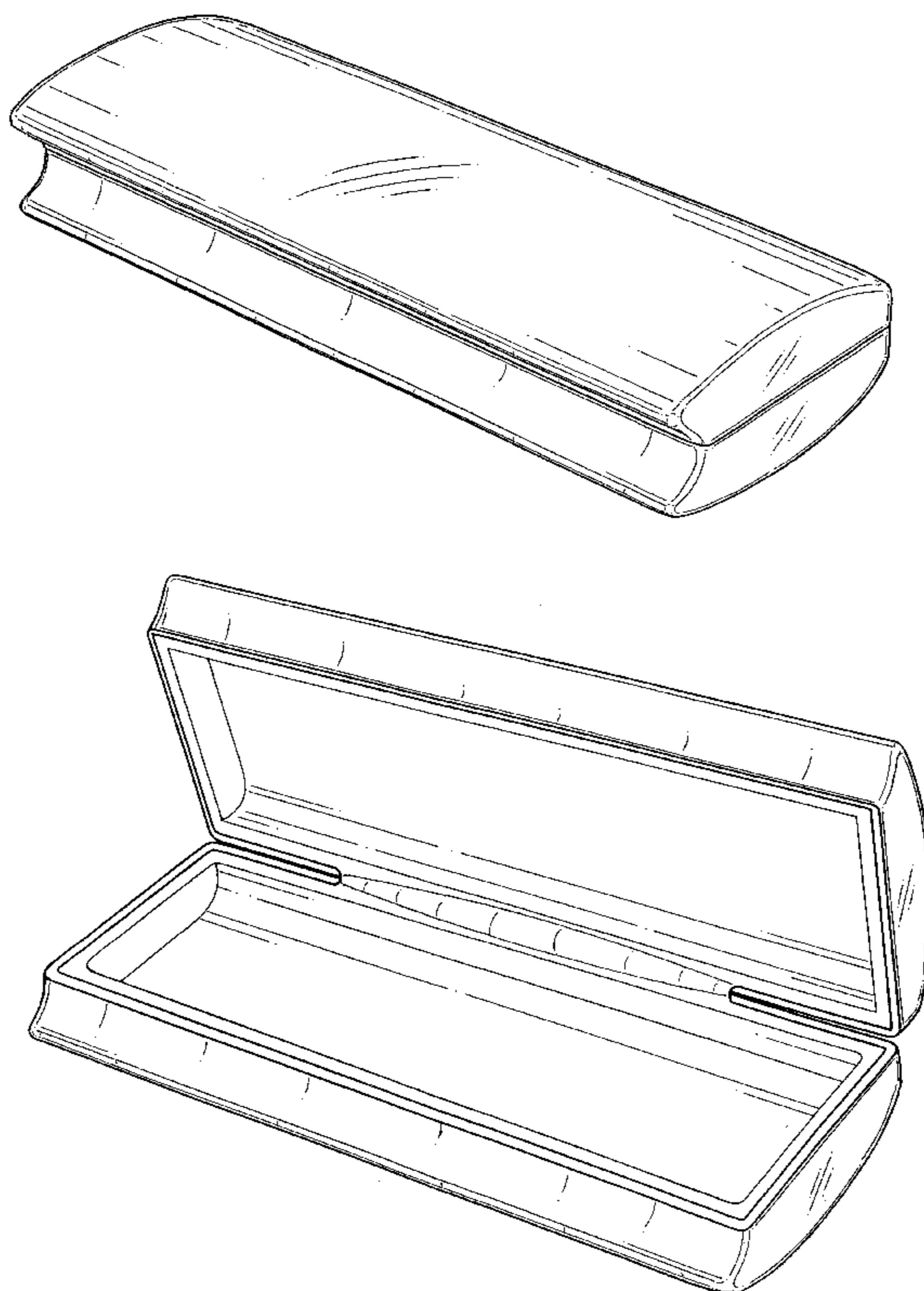
(57) **CLAIM**

The ornamental design for a pouch-shaped optical case, as shown and described.

DESCRIPTION

FIG. 1 is a perspective view of a pouch-shaped optical case, showing my new design;
FIG. 2 is a front elevational view thereof;
FIG. 3 is a rear elevational view thereof;
FIG. 4 is a right side elevational view thereof;
FIG. 5 is a left side elevational view thereof;
FIG. 6 is a top plan view thereof;
FIG. 7 is a bottom plan view thereof; and,
FIG. 8 is a perspective view thereof, shown in an open position.

1 Claim, 8 Drawing Sheets



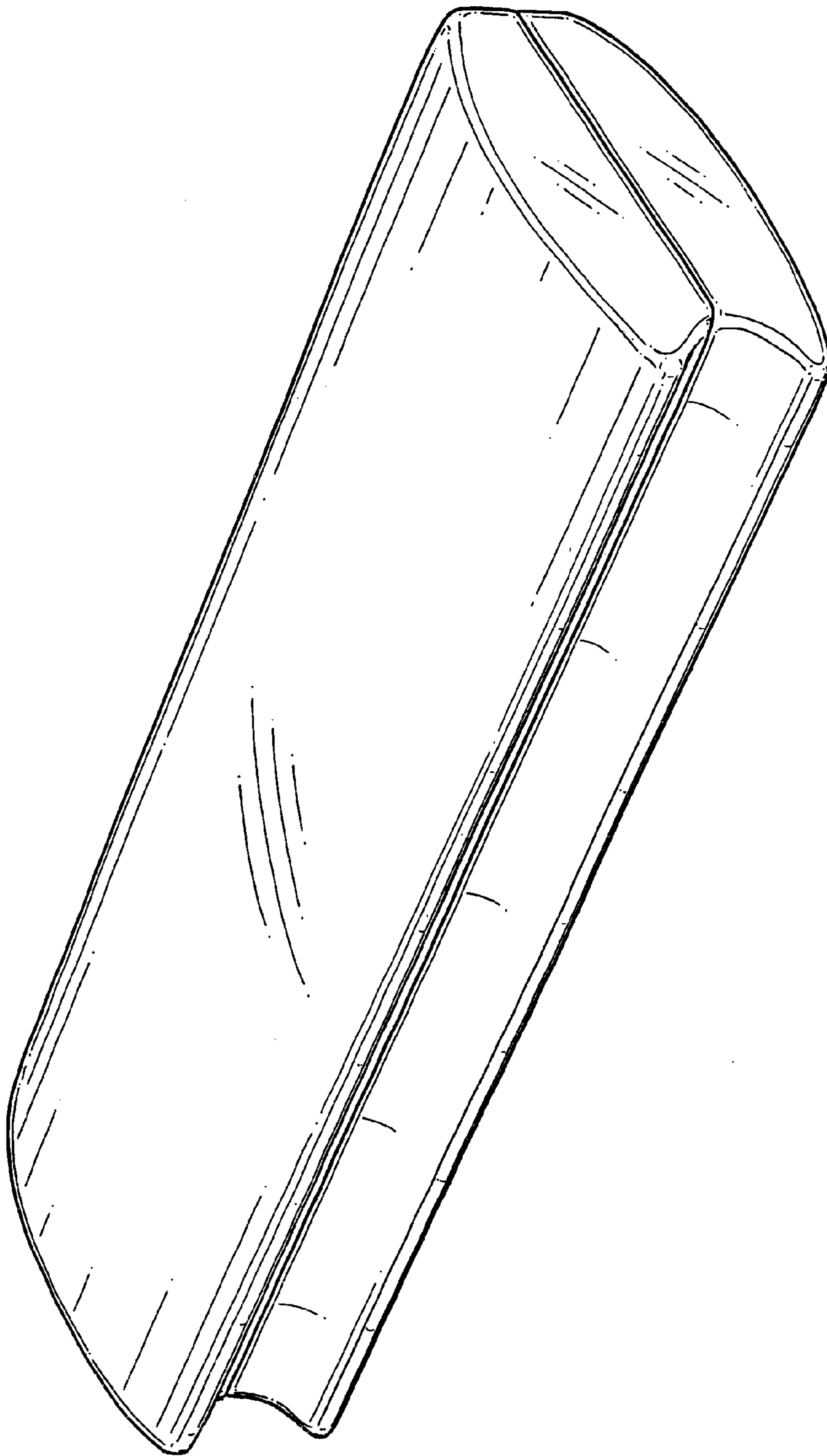


FIG. 1

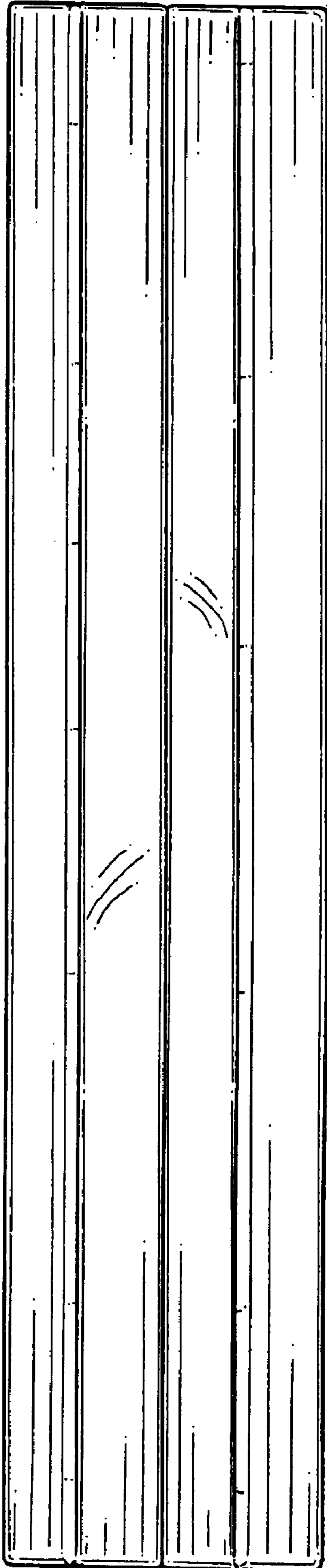


FIG. 2

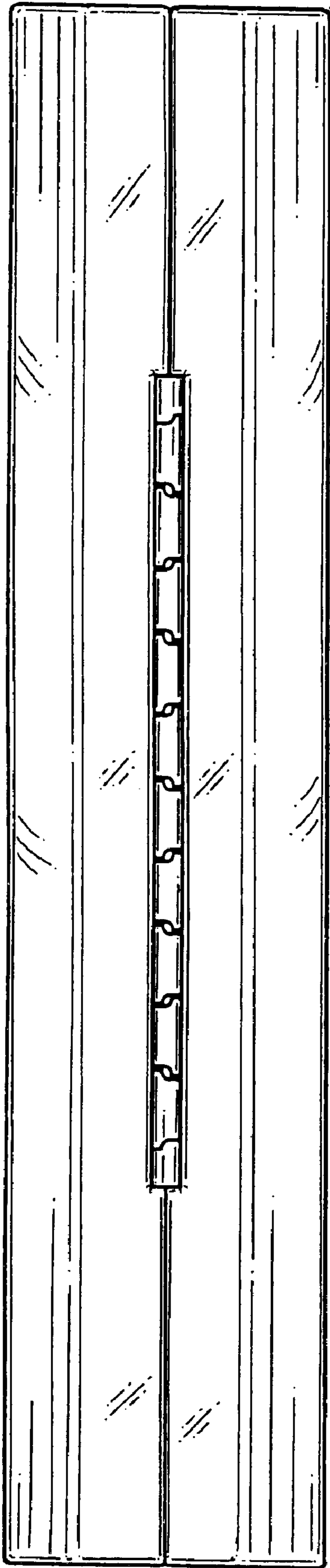


FIG. 3

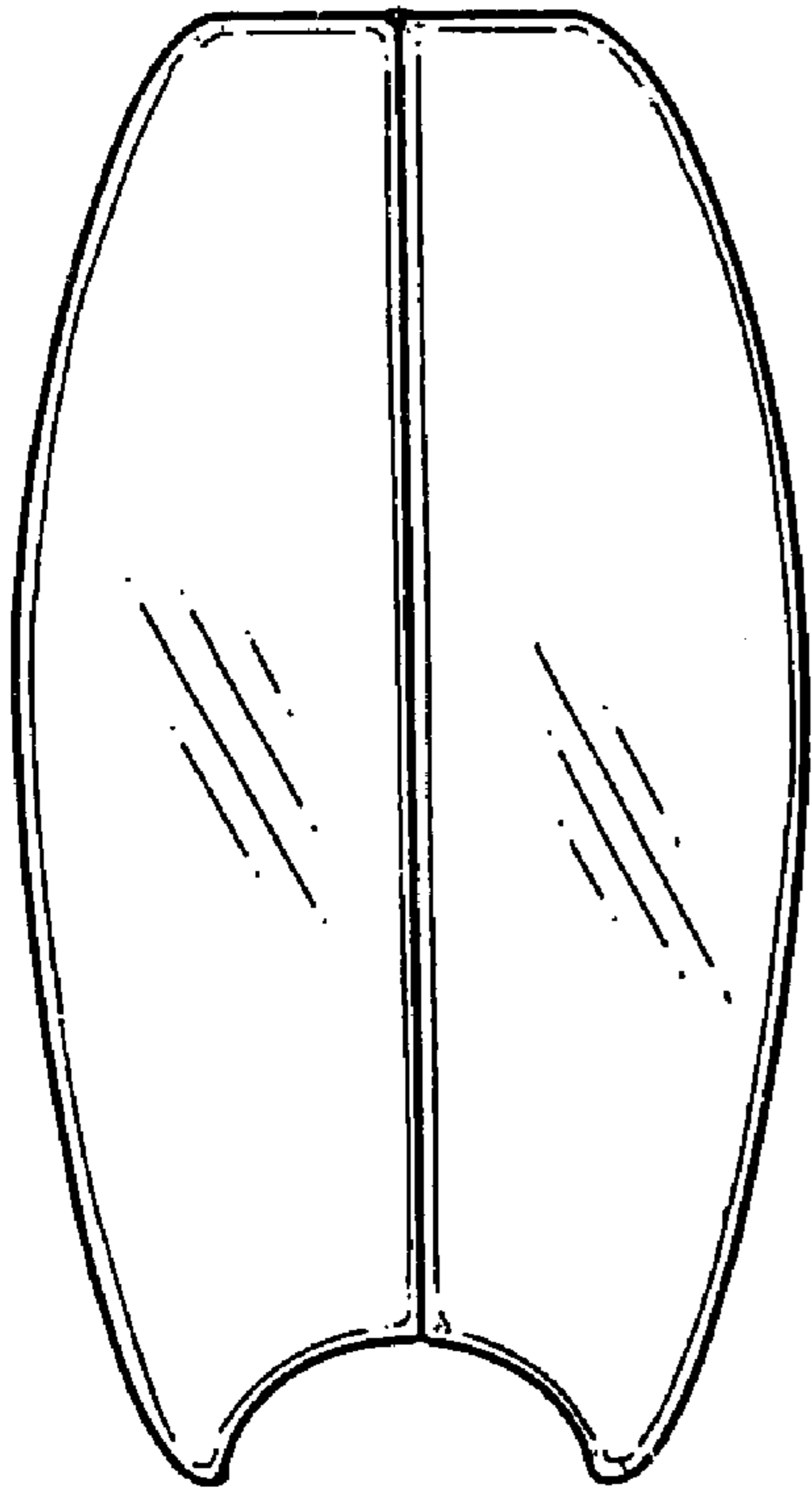


FIG. 4

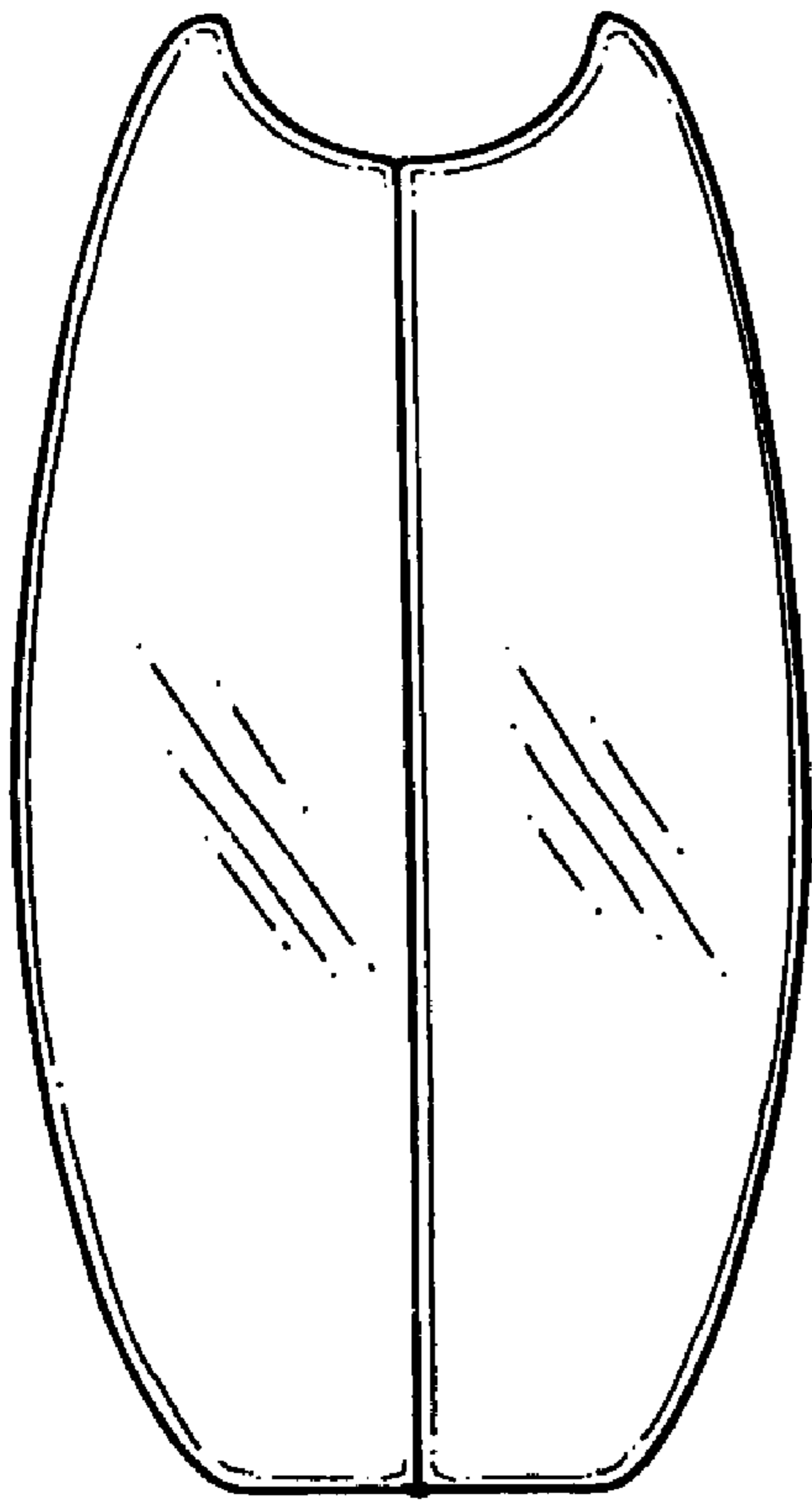


FIG. 5

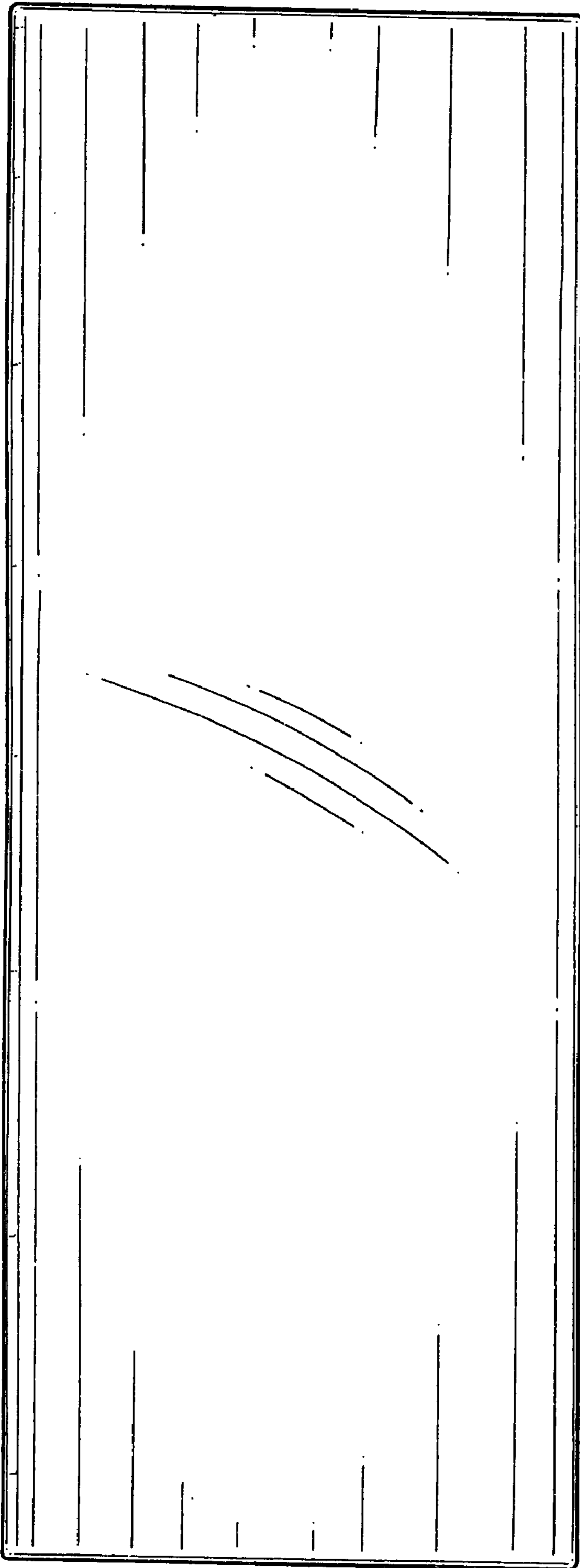


FIG. 6

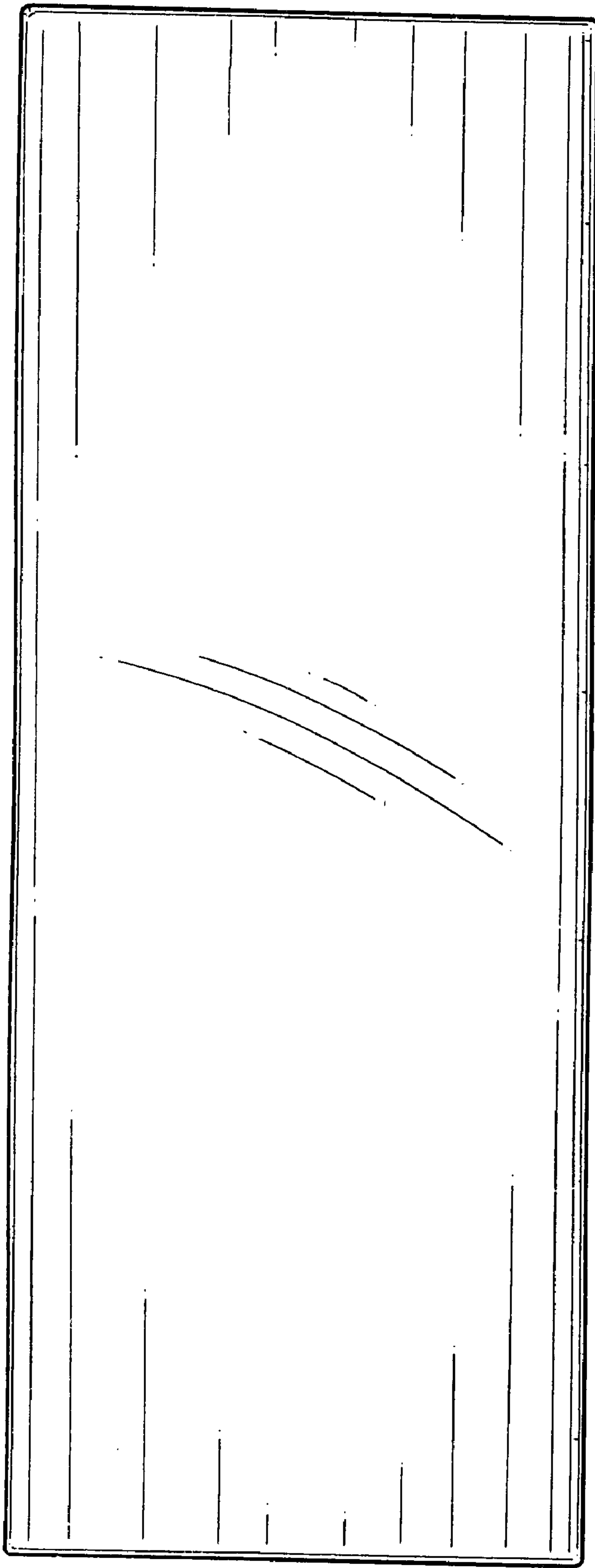


FIG. 7

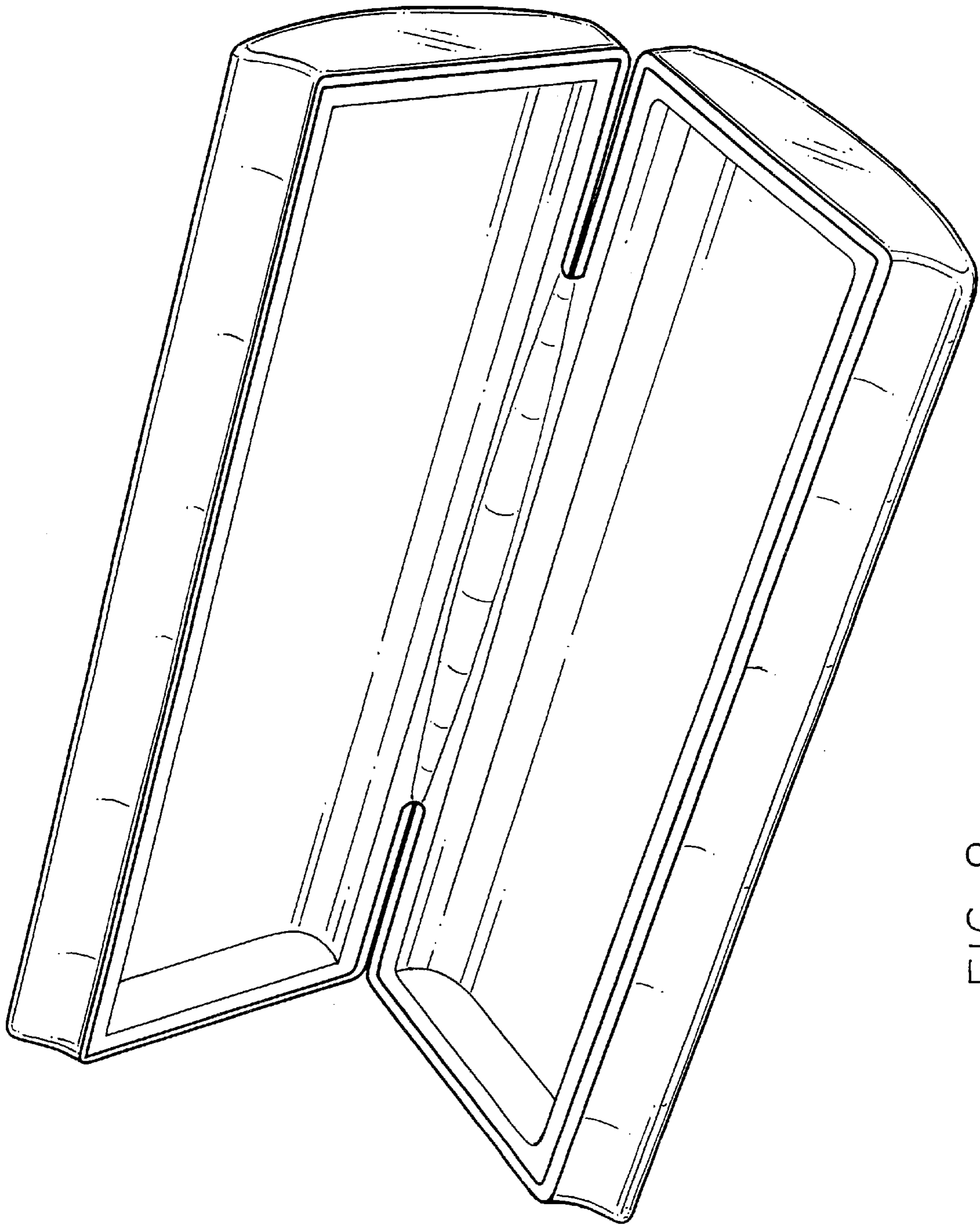


FIG. 8