



US00D484692S

(12) **United States Design Patent** (10) **Patent No.:** **US D484,692 S**  
**Lane** (45) **Date of Patent:** **\*\* Jan. 6, 2004**

(54) **EYEGLASS CASE**  
(75) **Inventor:** **Henry Welling Lane**, San Luis Obispo, CA (US)  
(73) **Assignee:** **Dioptics Medical Products, INC**, San Luis Obispo, CA (US)

5,617,948 A \* 4/1997 Rainey ..... 206/6.1  
D406,460 S \* 3/1999 Newcomer ..... D3/265  
D411,347 S \* 6/1999 Newcomer ..... D3/265  
D412,059 S \* 7/1999 White et al. .... D3/215  
6,003,663 A \* 12/1999 Newcomer ..... 206/5

(\*\*) **Term:** **14 Years**

\* cited by examiner

*Primary Examiner*—Celia Murphy  
(74) *Attorney, Agent, or Firm*—Derek J. Westberg

(21) **Appl. No.:** **29/170,054**  
(22) **Filed:** **Oct. 30, 2002**

(57) **CLAIM**

I claim the ornamental design for an eyeglass case, as shown and described.

(51) **LOC (7) Cl.** ..... **03-01**  
(52) **U.S. Cl.** ..... **D3/265; D3/263**  
(58) **Field of Search** ..... D3/215, 219, 229, D3/233, 249, 264, 265, 266, 267, 299; D9/314, 451; D16/130; D26/138; 24/3.3, 3.11, 36; 206/5, 5.1; 211/85.1; 248/205.3, 206.2, 229.6, 231.54, 309.1, 316.7, 902

**DESCRIPTION**

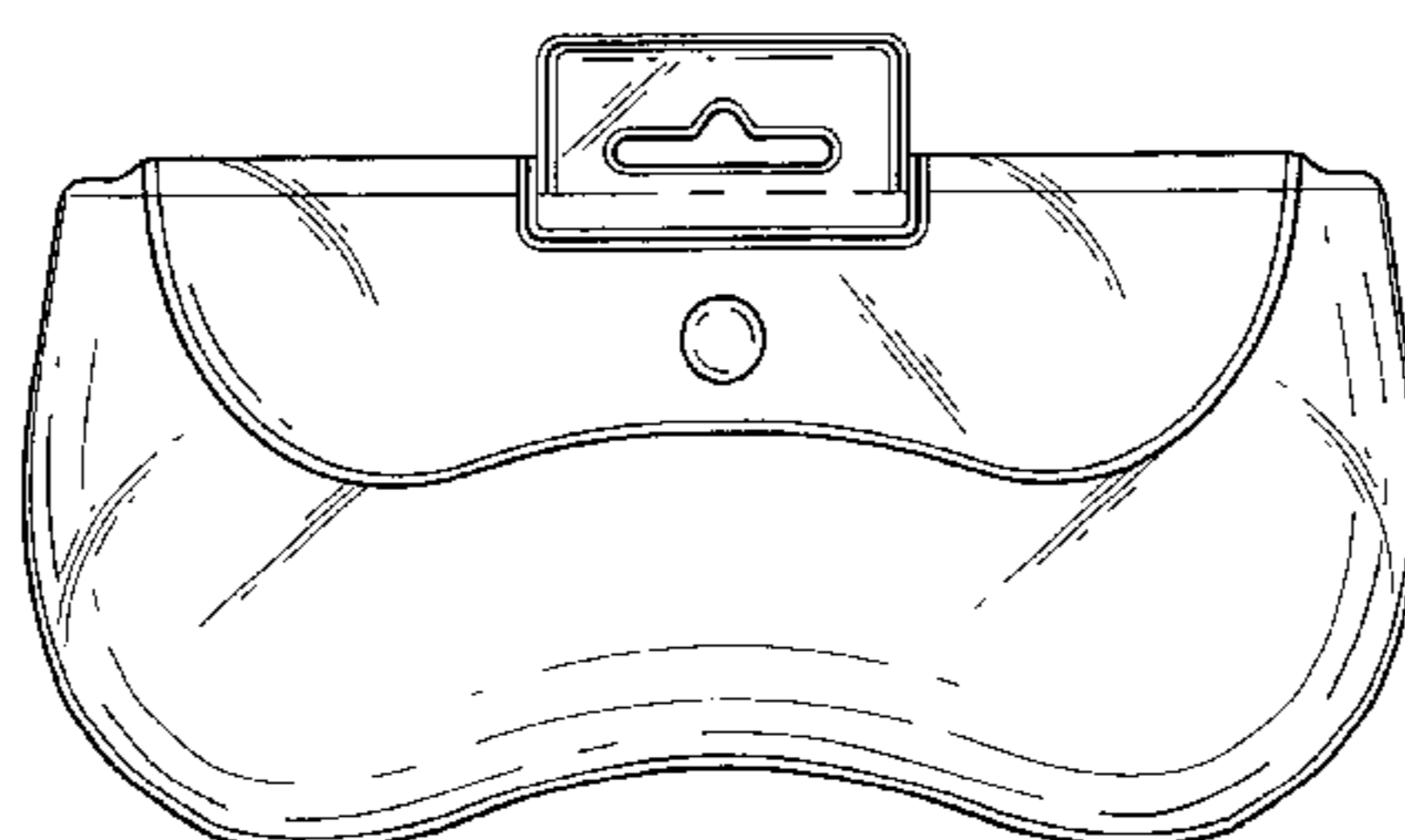
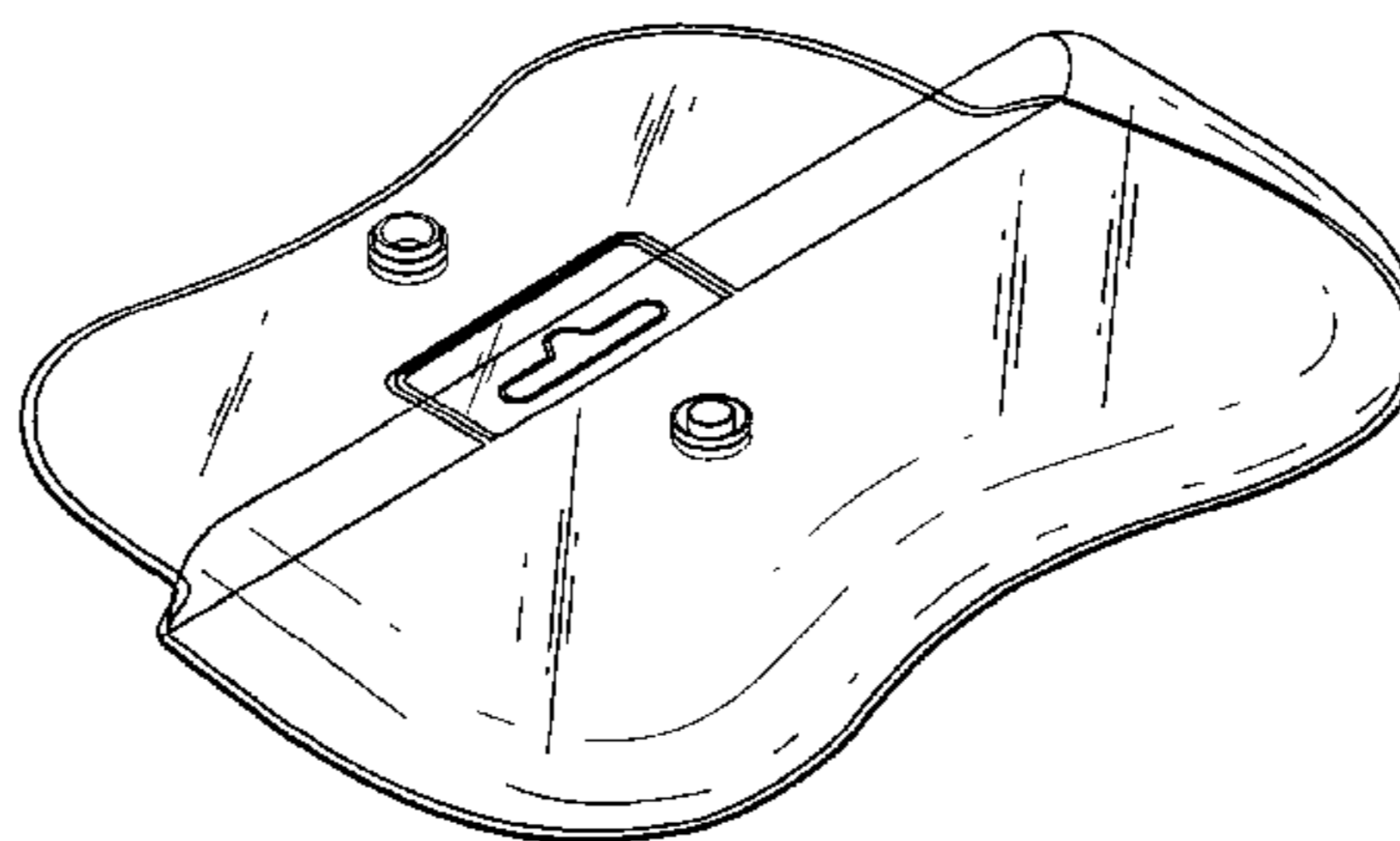
FIG. 1 is a front perspective view of an eyeglass case showing my new design;  
FIG. 2 is a top plan view thereof shown in a closed position;  
FIG. 3 is a right side elevational view of FIG. 2, the left side being a mirror image;  
FIG. 4 is a rear elevational view of FIG. 1;  
FIG. 5 is a front elevational view of FIG. 1;  
FIG. 6 is a right side elevational view of FIG. 1, shown in a closed position, with the hanging tab extended;  
FIG. 7 is front perspective view of an alternate embodiment of the design shown in FIG. 1;  
FIG. 8 is a top plan view of FIG. 7, shown in a closed position;  
FIG. 9 is a right side elevational view of FIG. 7, the left side being a mirror image;  
FIG. 10 is a rear elevational view of FIG. 7;  
FIG. 11 is a front elevational view of FIG. 7; and,  
FIG. 12 is a front elevational view of FIG. 7, shown in a closed position, with the hanging tab extended.

(56) **References Cited**

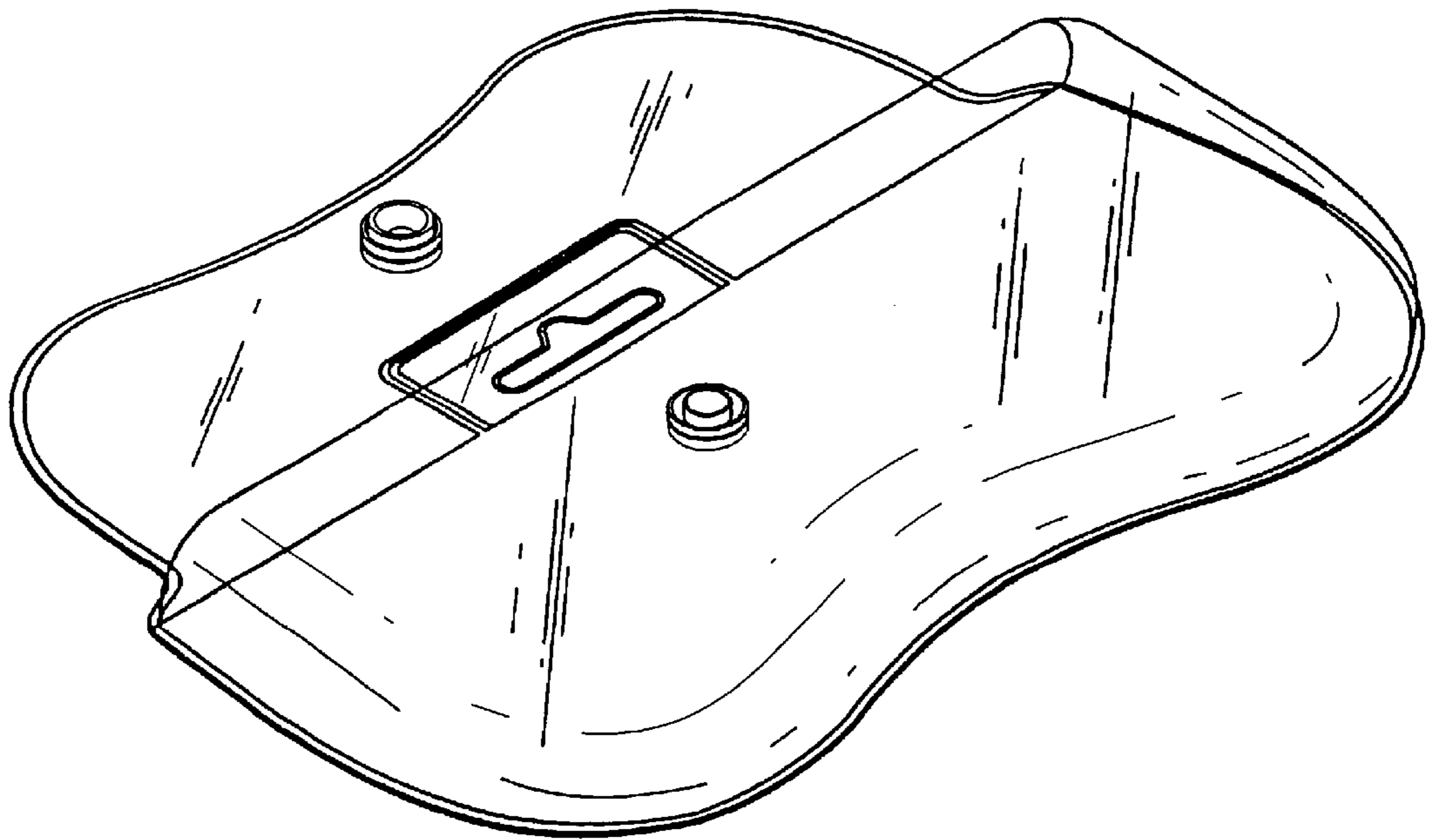
**U.S. PATENT DOCUMENTS**

D74,101 S \* 12/1927 Day ..... D3/265  
D113,402 S \* 2/1939 Schram  
D146,223 S \* 1/1947 Kalnitz et al.  
D158,670 S \* 5/1950 Klein ..... D3/265  
2,738,054 A \* 3/1956 Baratelli  
D189,994 S \* 3/1961 Spielberg  
3,000,417 A \* 9/1961 Goldstein  
D293,389 S \* 12/1987 Vitaloni ..... D3/219  
4,823,943 A \* 4/1989 Chang ..... 206/5  
D308,598 S \* 6/1990 Burchett ..... D3/265  
D308,755 S \* 6/1990 Chang ..... D3/265  
D346,815 S \* 5/1994 Wake ..... D3/265  
D349,403 S \* 8/1994 Cereda ..... D3/266  
5,501,321 A \* 3/1996 Liu ..... 206/5

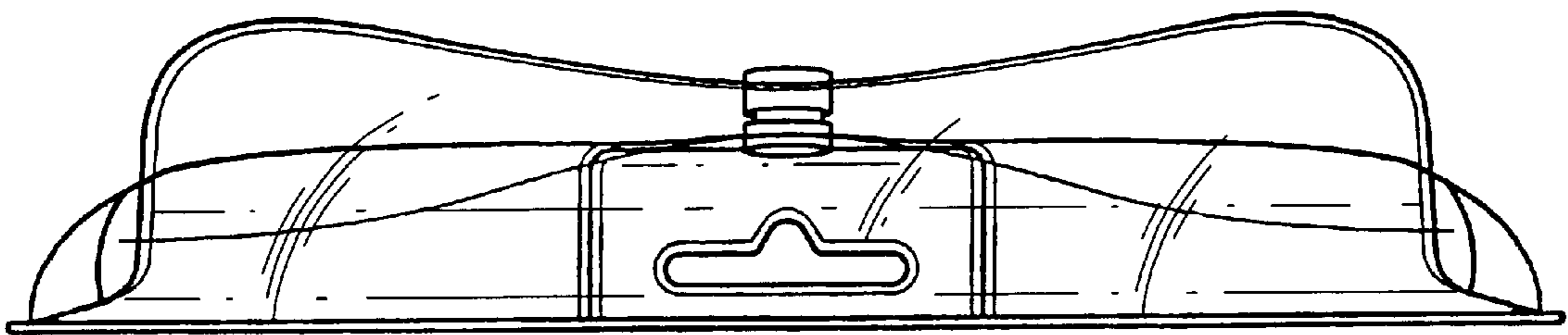
**1 Claim, 10 Drawing Sheets**



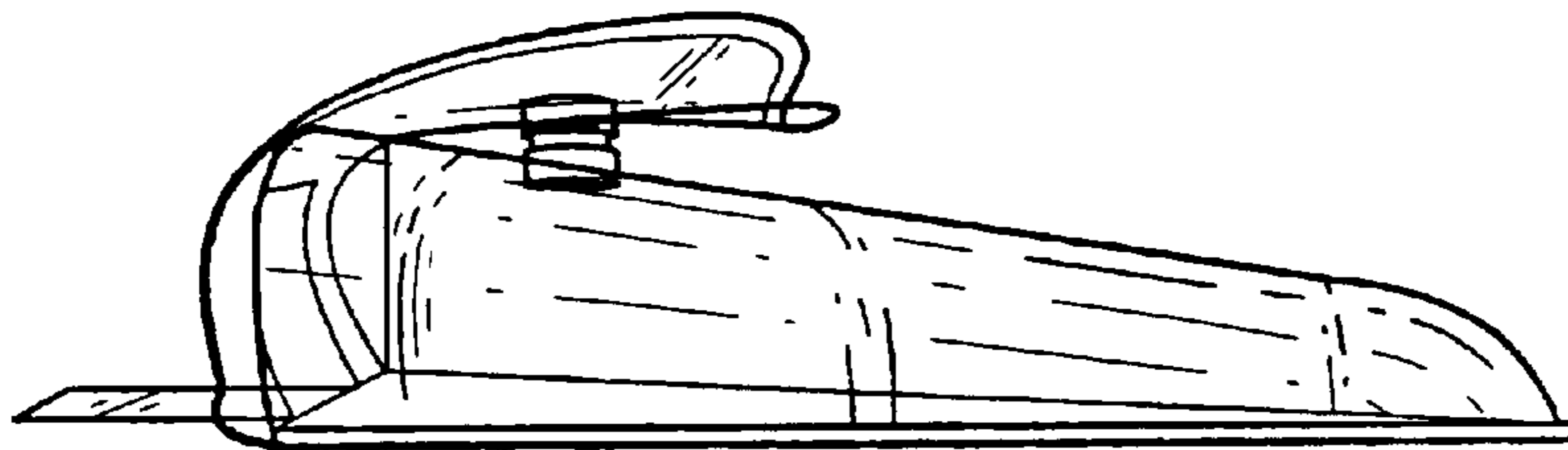
*FIG. 1*



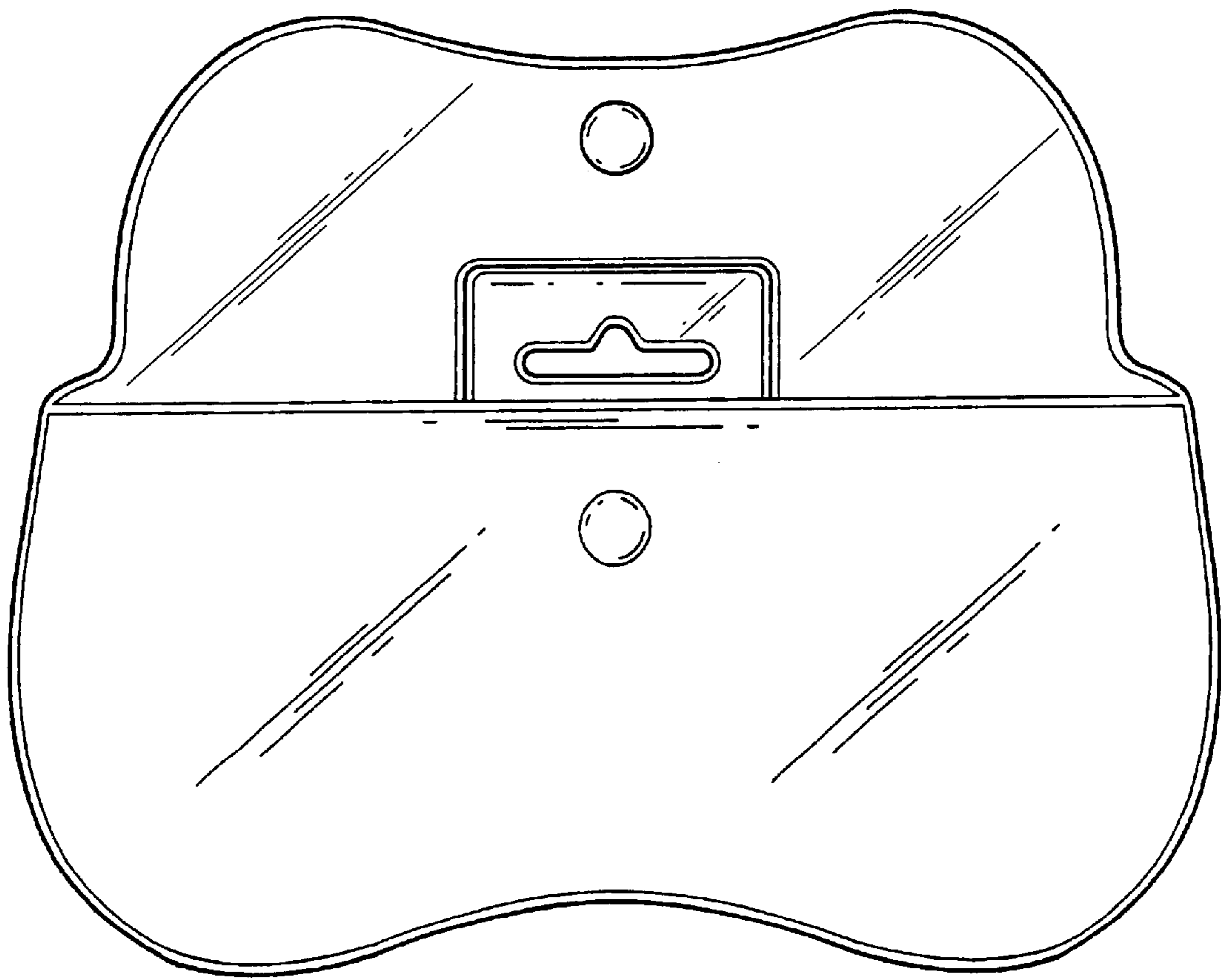
*FIG. 2*



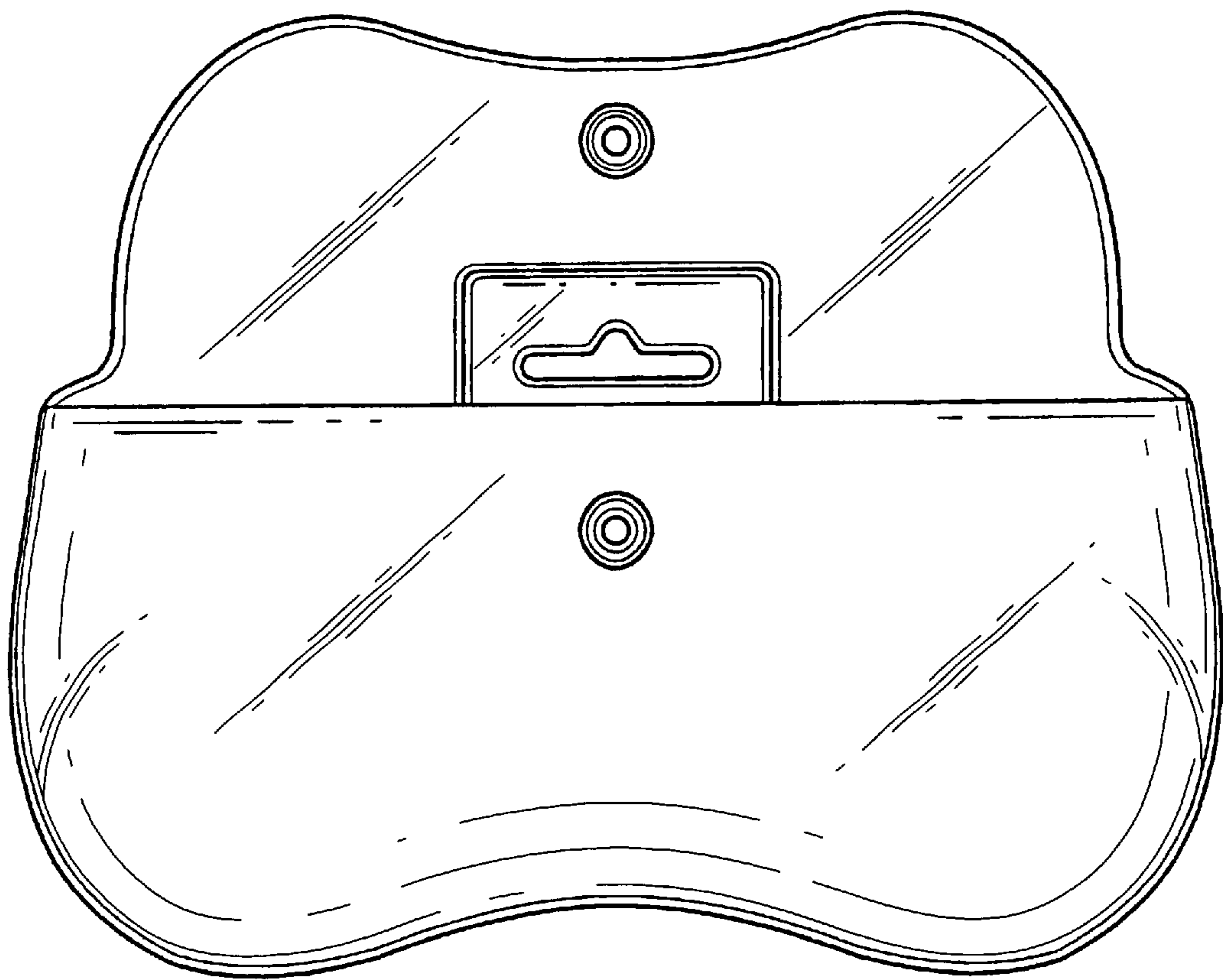
*FIG. 3*



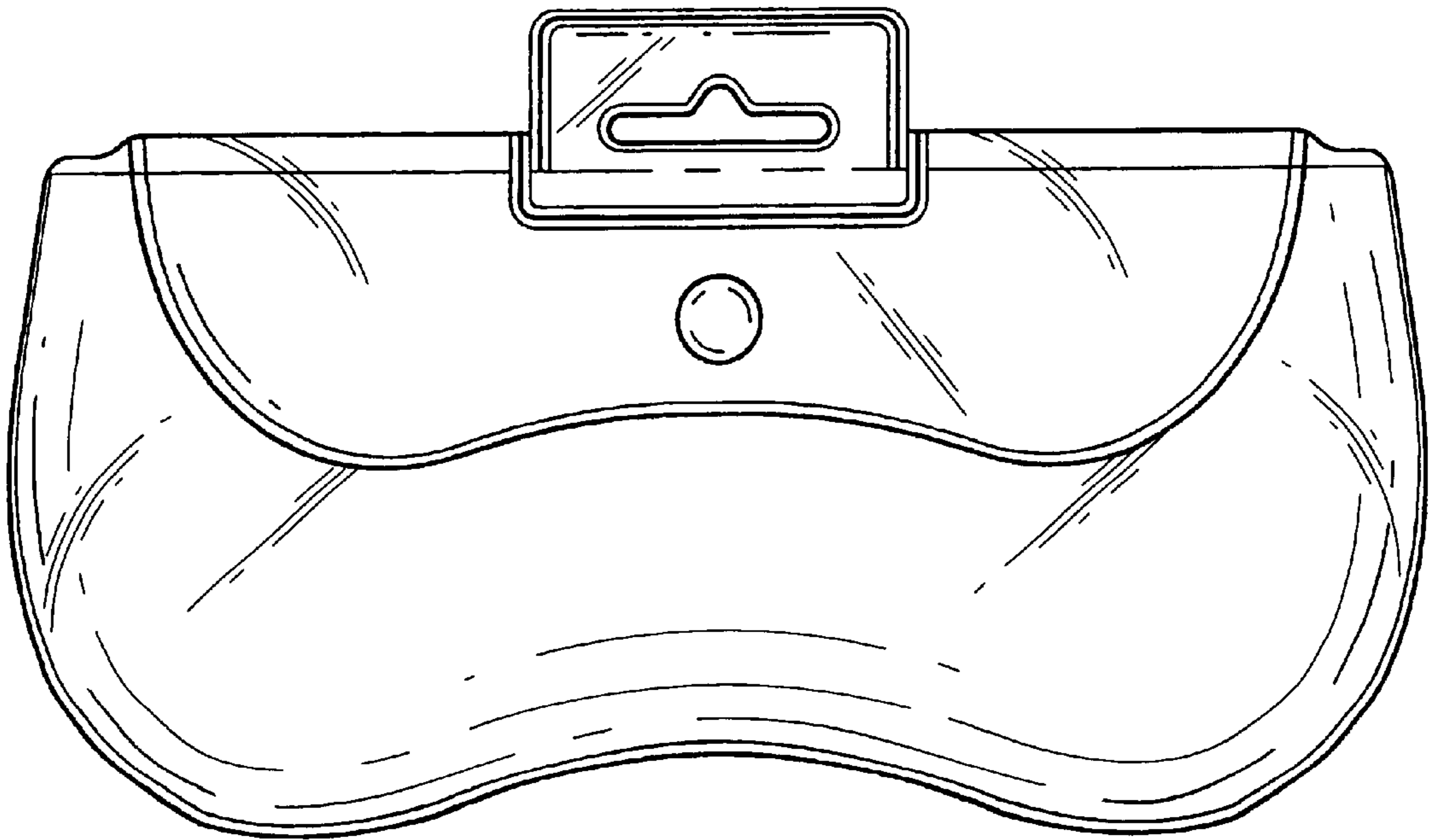
**FIG. 4**



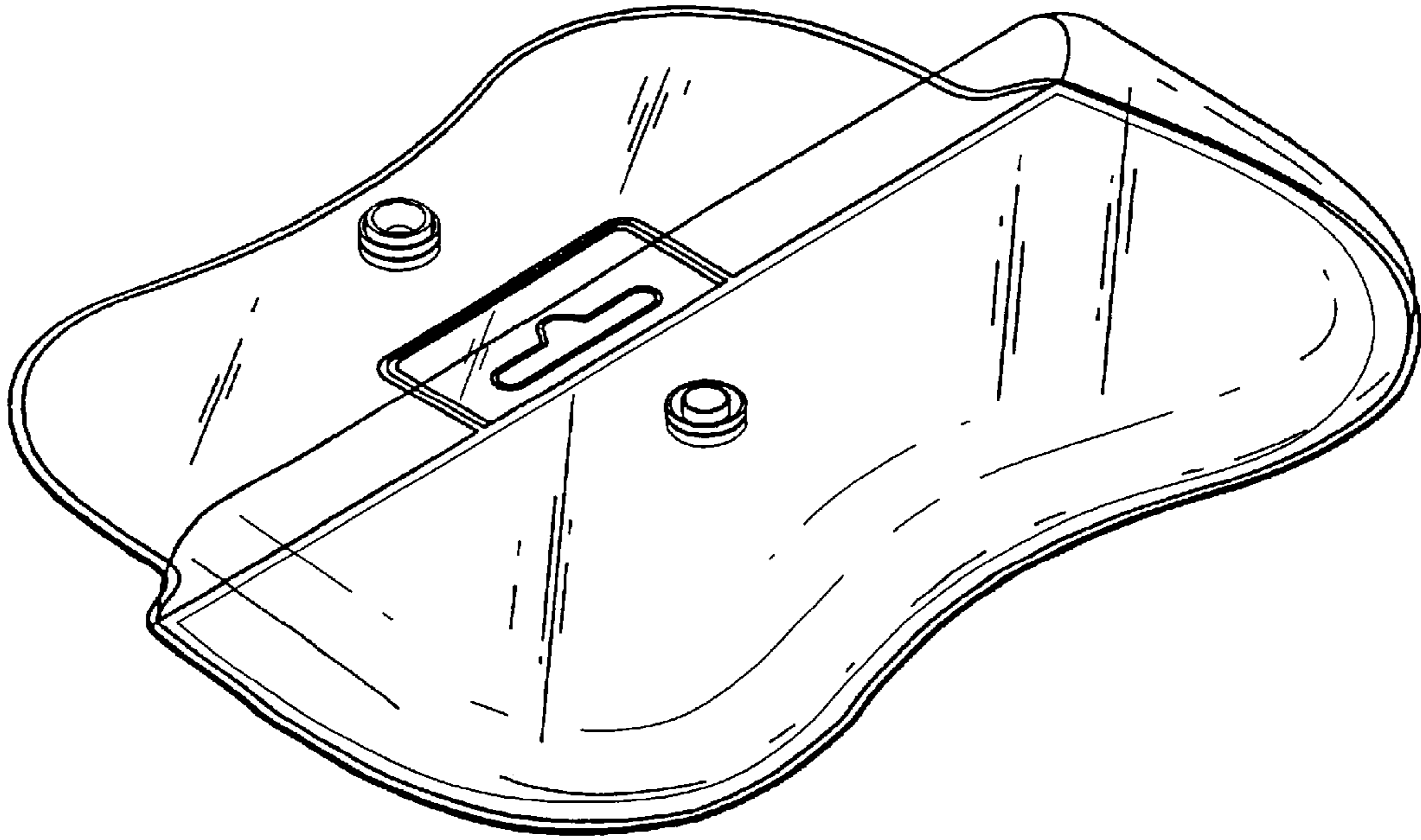
*FIG. 5*



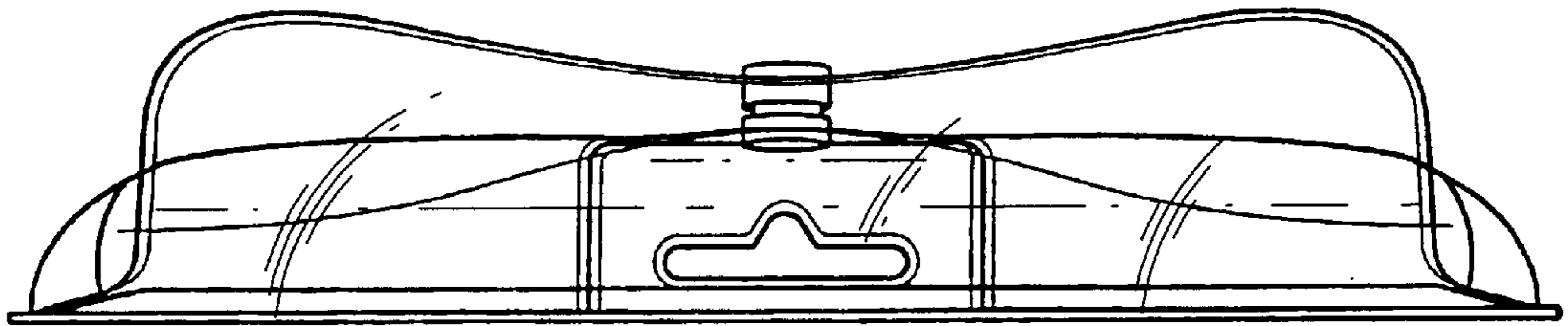
*FIG. 6*



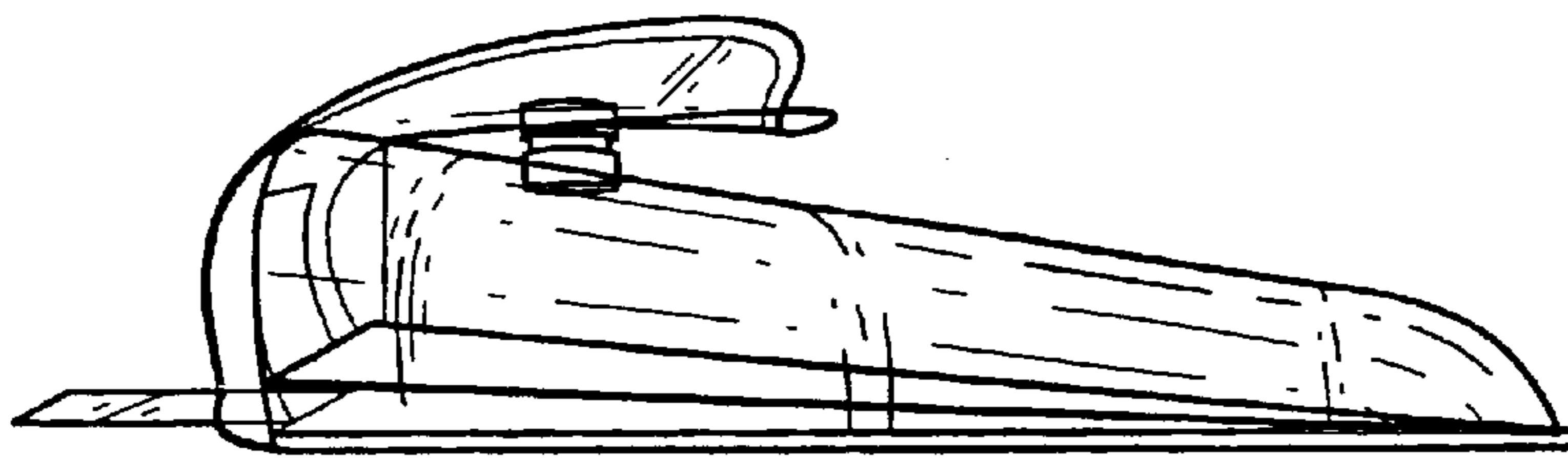
*FIG. 7*



**FIG. 8**

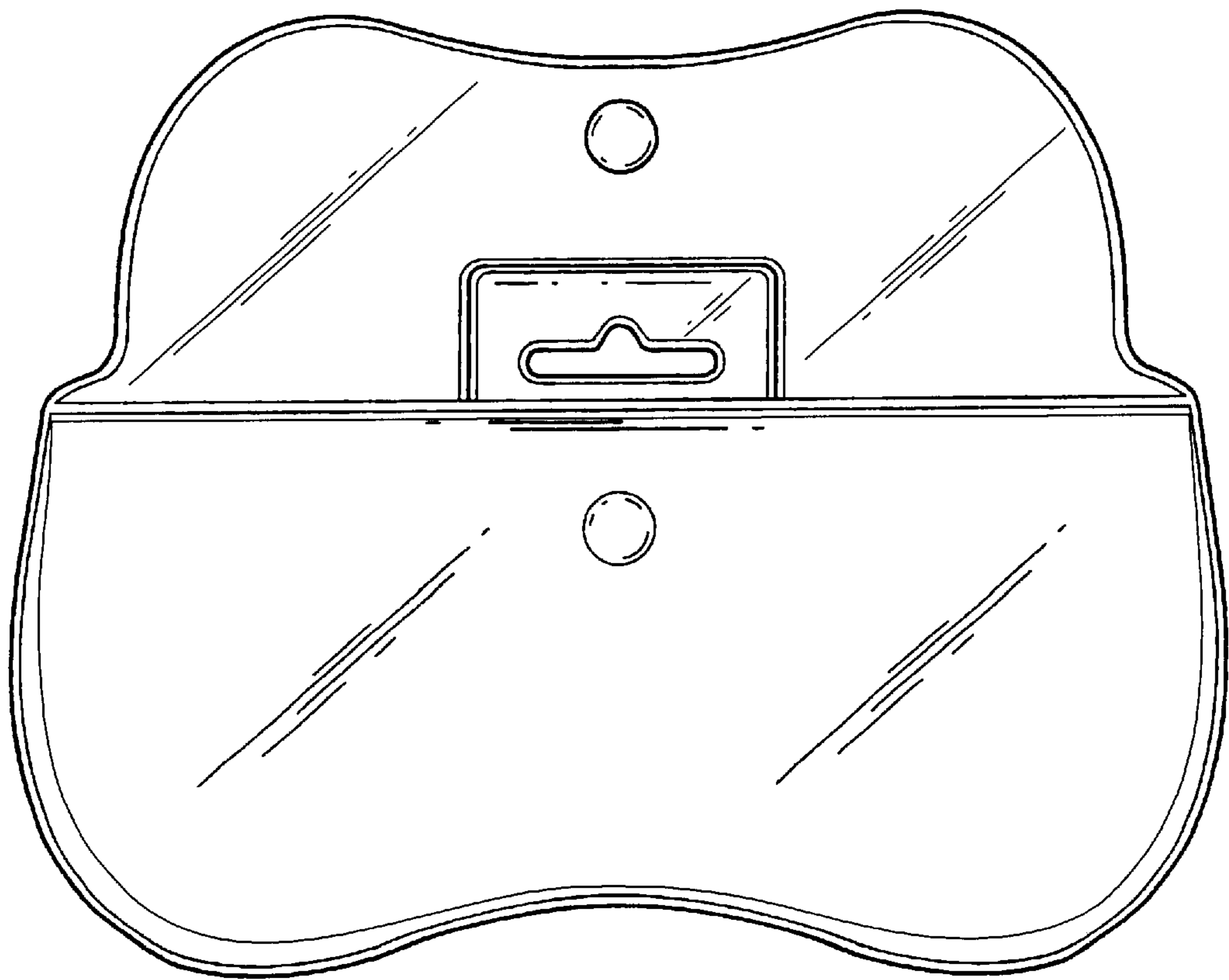


**FIG. 9**

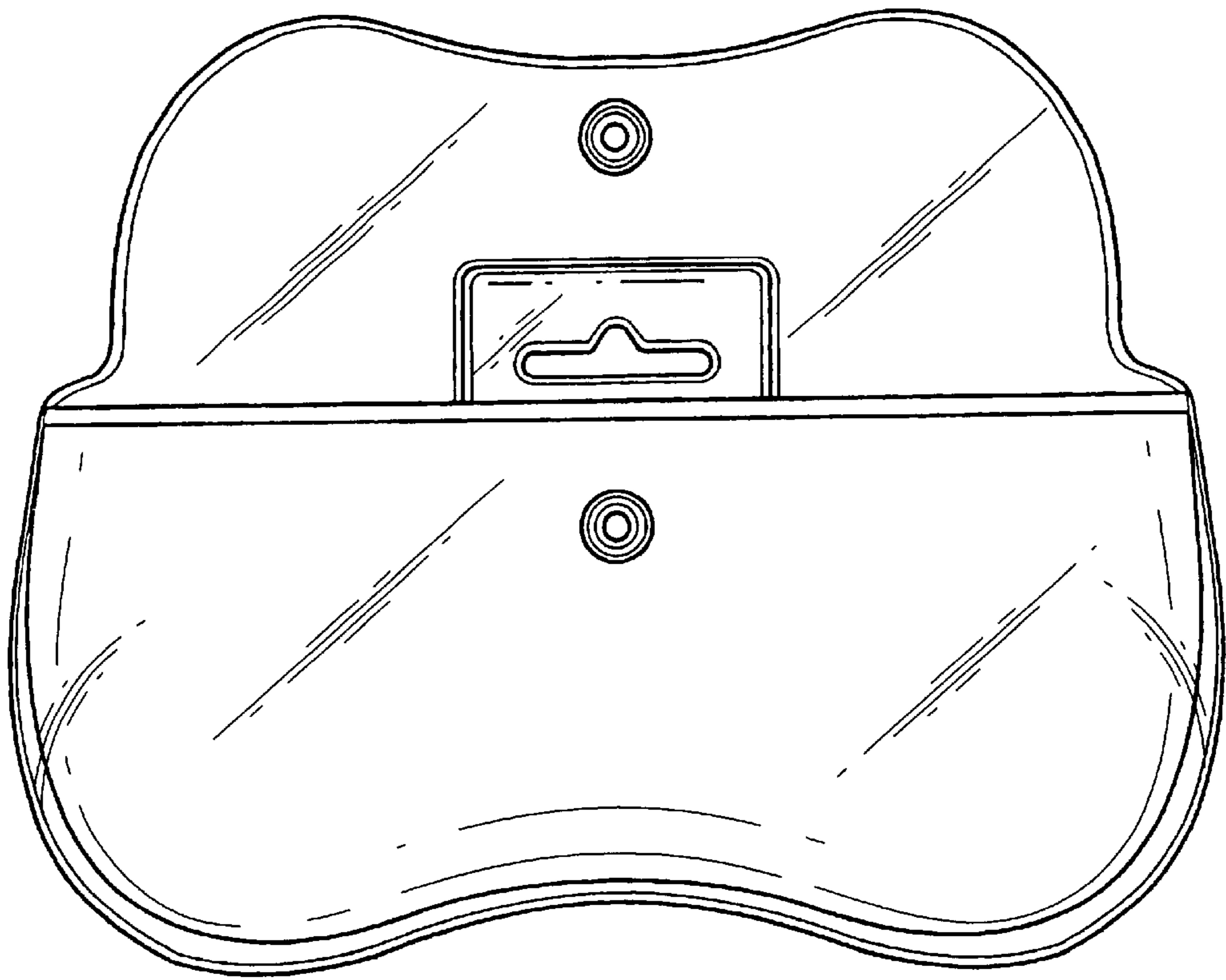




*FIG. 10*



*FIG. 11*



*FIG. 12*

