



US00D484686S

(12) **United States Design Patent**  
Nordstrom et al.

(10) **Patent No.:** **US D484,686 S**

(45) **Date of Patent:** **\*\* Jan. 6, 2004**

(54) **BACKPACK**

(75) Inventors: **Mark B. Nordstrom**, Brentwood, TN  
(US); **Cory O. Nykoluk**, St. Louis, MO  
(US)

(73) Assignee: **TRG Accessories, LLC**, St. Louis, MO  
(US)

(\*\*) Term: **14 Years**

(21) Appl. No.: **29/168,864**

(22) Filed: **Oct. 10, 2002**

(51) **LOC (7) Cl.** ..... **03-01**

(52) **U.S. Cl.** ..... **D3/217; D3/216**

(58) **Field of Search** ..... D2/741; D3/224,  
D3/216-218, 233, 268, 274; D14/168; D21/483;  
2/2.5; 190/18 A; 224/148.2, 153, 155, 156,  
576-580, 582-584, 601, 627-231, 640,  
642, 643, 646, 647, 650, 652, 653, 656,  
657; 381/90

(56) **References Cited**

**U.S. PATENT DOCUMENTS**

D340,351 S	*	10/1993	Wrath	.....	D3/217
D359,847 S	*	7/1995	Callegari	.....	D3/217
D375,622 S	*	11/1996	Croft	.....	D3/217
5,632,429 A	*	5/1997	Cantwell	.....	224/630
D381,704 S	*	7/1997	Li	.....	D21/483
D387,198 S	*	12/1997	Lehmann et al.	.....	D3/217
D388,248 S	*	12/1997	Rohrbach	.....	D3/217
D402,460 S	*	12/1998	Moor	.....	D3/217

5,934,527 A	*	8/1999	Neumann	.....	224/153
6,006,967 A	*	12/1999	Tsao	.....	224/153
D418,972 S	*	1/2000	Gold	.....	D3/217
D426,951 S	*	6/2000	Rohrbach et al.	.....	D3/217
6,095,389 A	*	8/2000	Fenton et al.	.....	224/627
D431,903 S	*	10/2000	Worley et al.	.....	D3/232
D437,110 S	*	2/2001	Ivarson et al.	.....	D3/217
D457,306 S	*	5/2002	Szyf	.....	D3/217
D457,307 S	*	5/2002	Pukall et al.	.....	D3/217
D471,353 S	*	3/2003	Ho	.....	D3/217
2002/0113102 A1	*	8/2002	Klamm		

\* cited by examiner

*Primary Examiner*—Celia Murphy

(74) *Attorney, Agent, or Firm*—Lewis, Rice & Fingersh,  
LC

(57) **CLAIM**

We claim the ornamental design for a backpack, as shown and described.

**DESCRIPTION**

FIG. 1 is a perspective view of a backpack showing our new design;  
FIG. 2 is a front elevational view thereof;  
FIG. 3 is a rear elevational view thereof;  
FIG. 4 is a right side elevational view thereof;  
FIG. 5 is a left side elevational view thereof;  
FIG. 6 is a top plan view thereof; and,  
FIG. 7 is a bottom plan view thereof.

The broken lines shown on the surface of the backpack, throughout the views are understood to represent stitching.

**1 Claim, 7 Drawing Sheets**

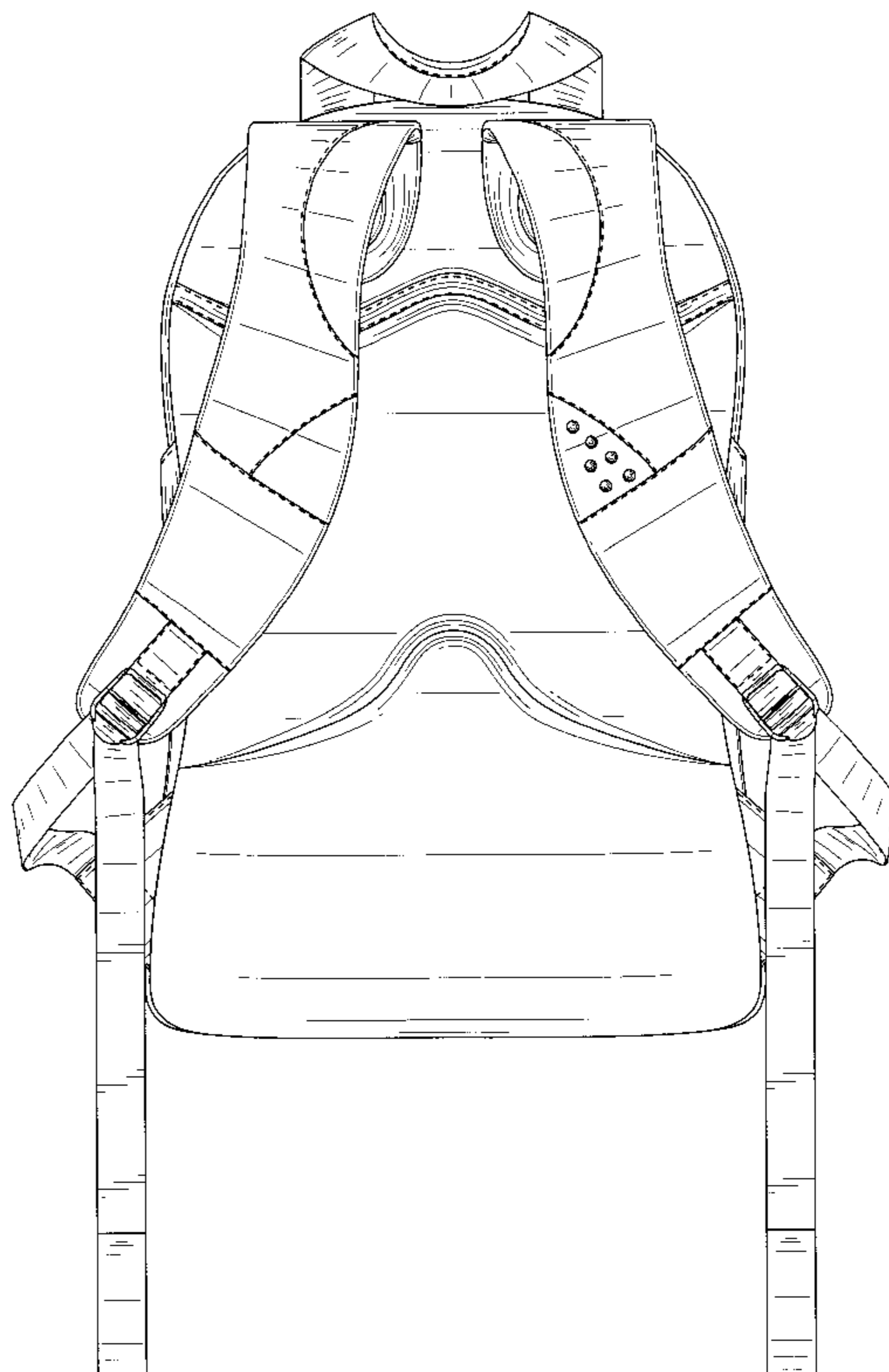




FIG. 1

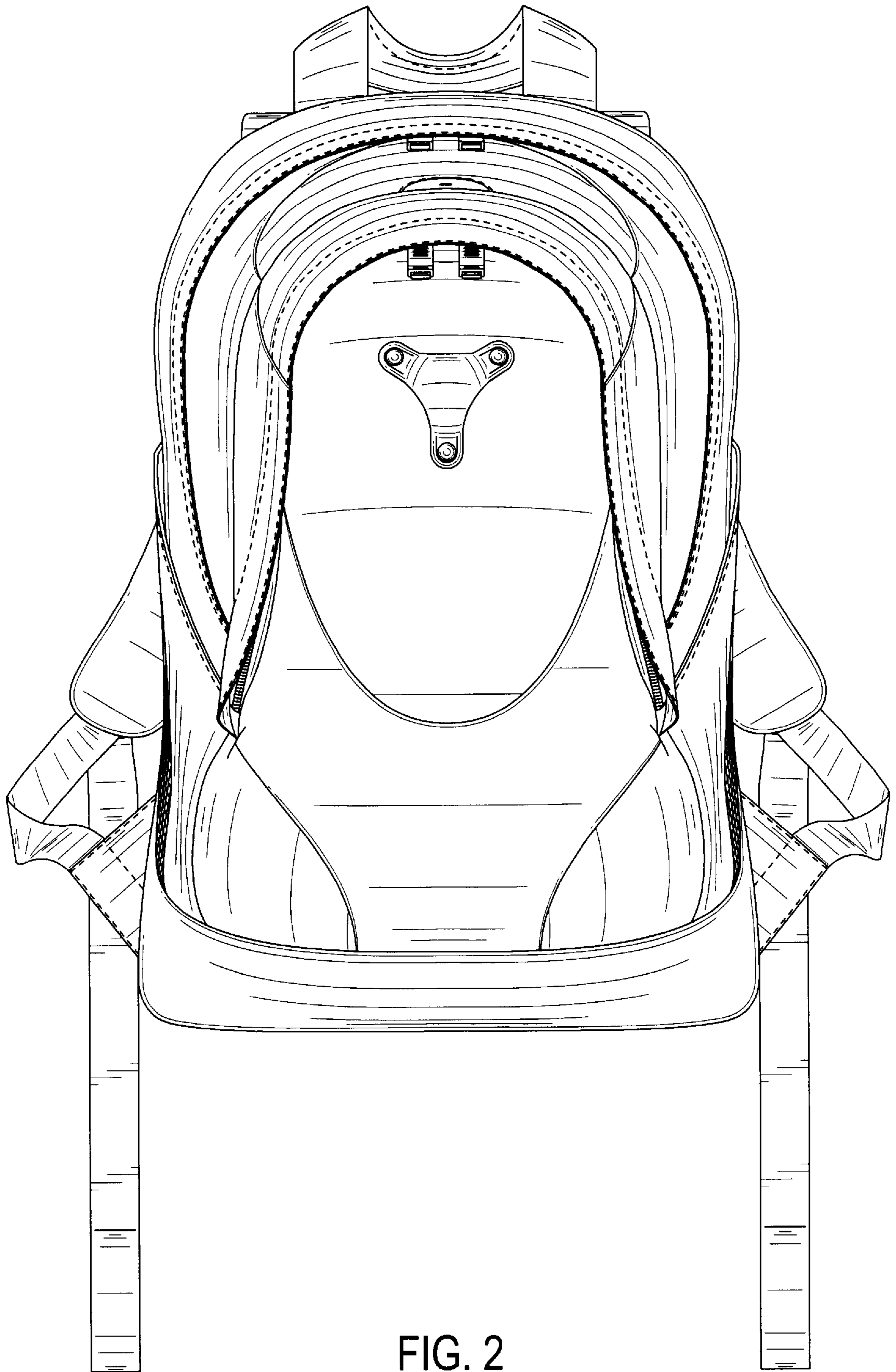


FIG. 2



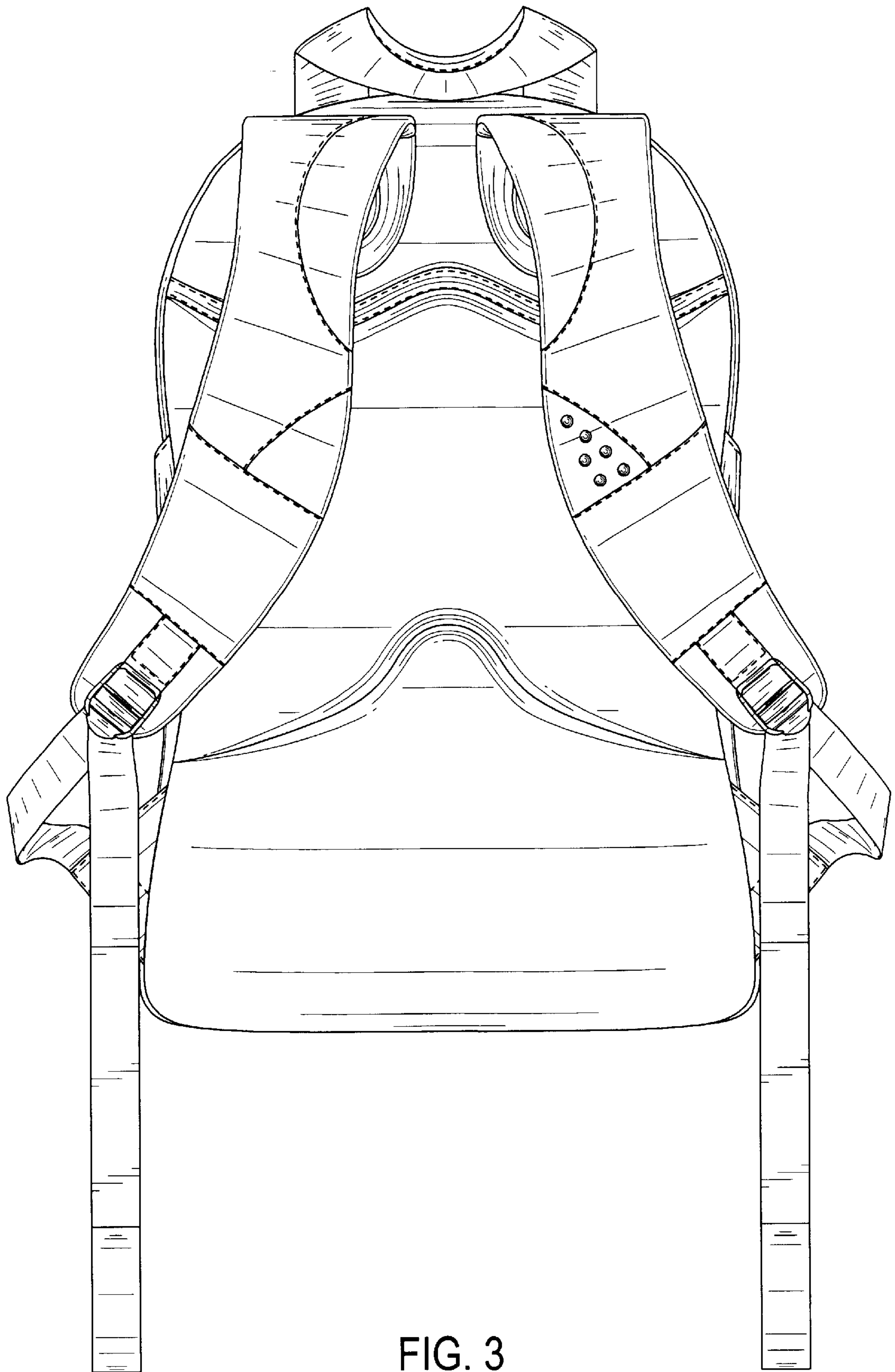


FIG. 3

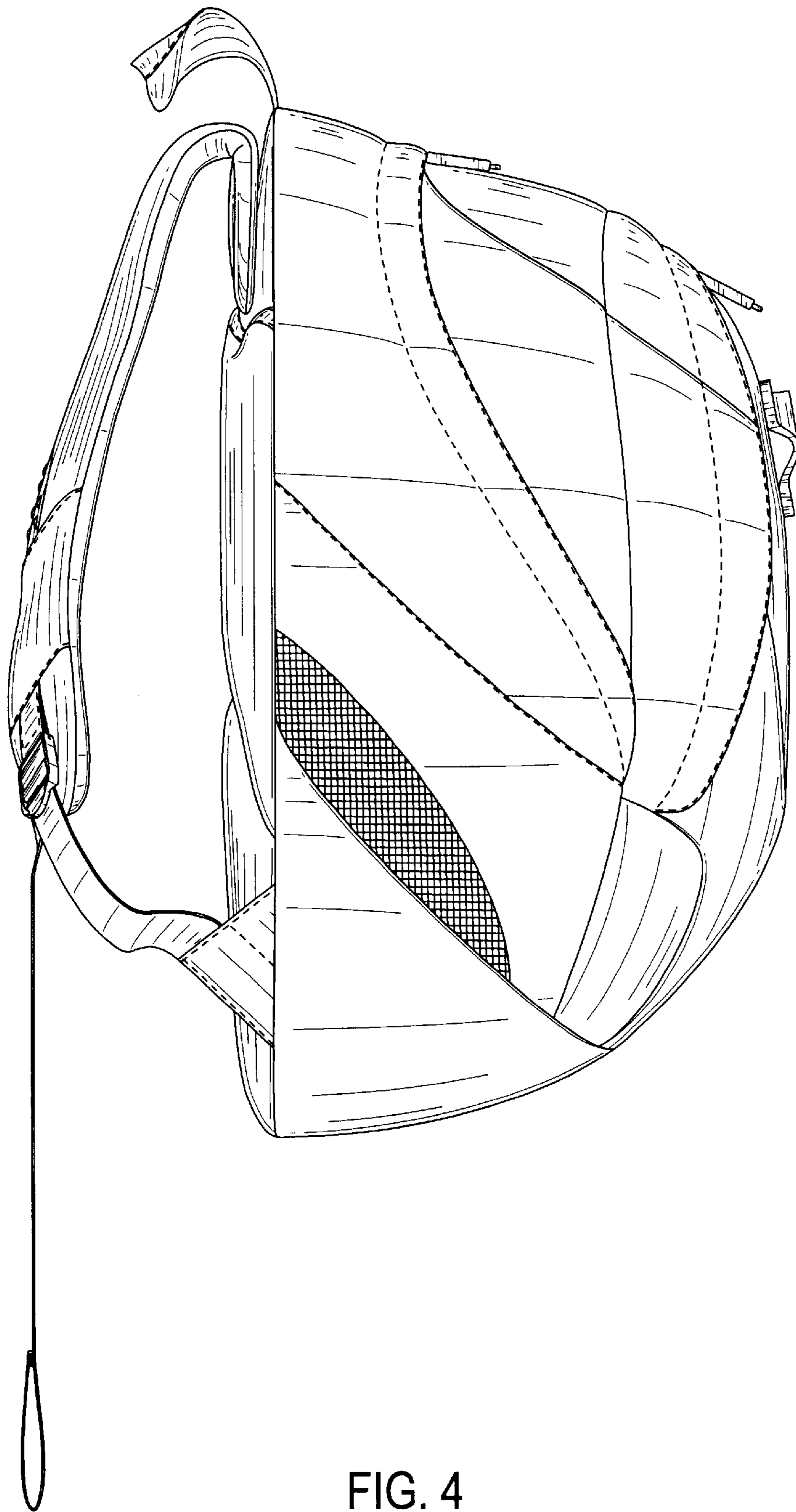


FIG. 4

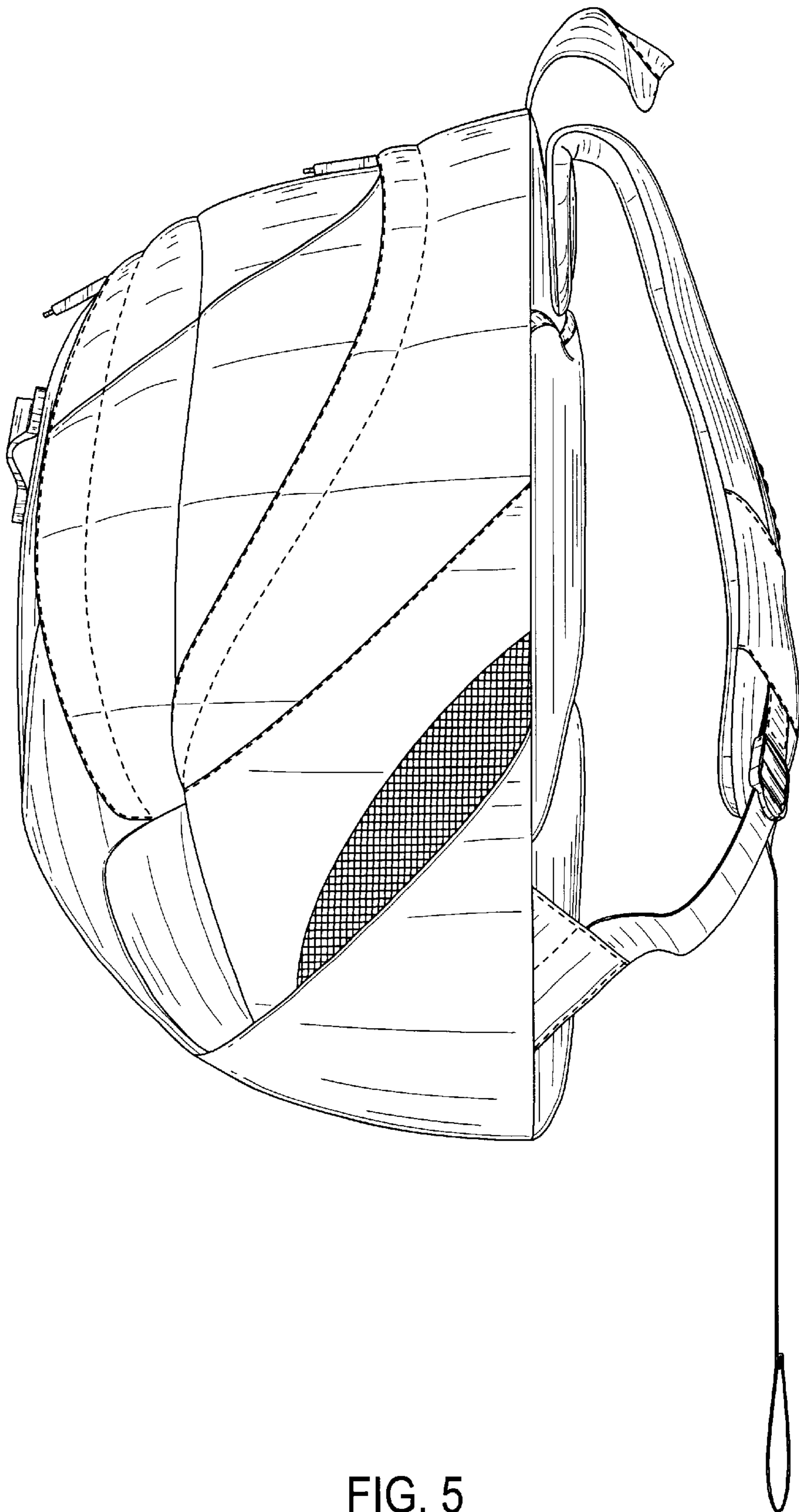


FIG. 5

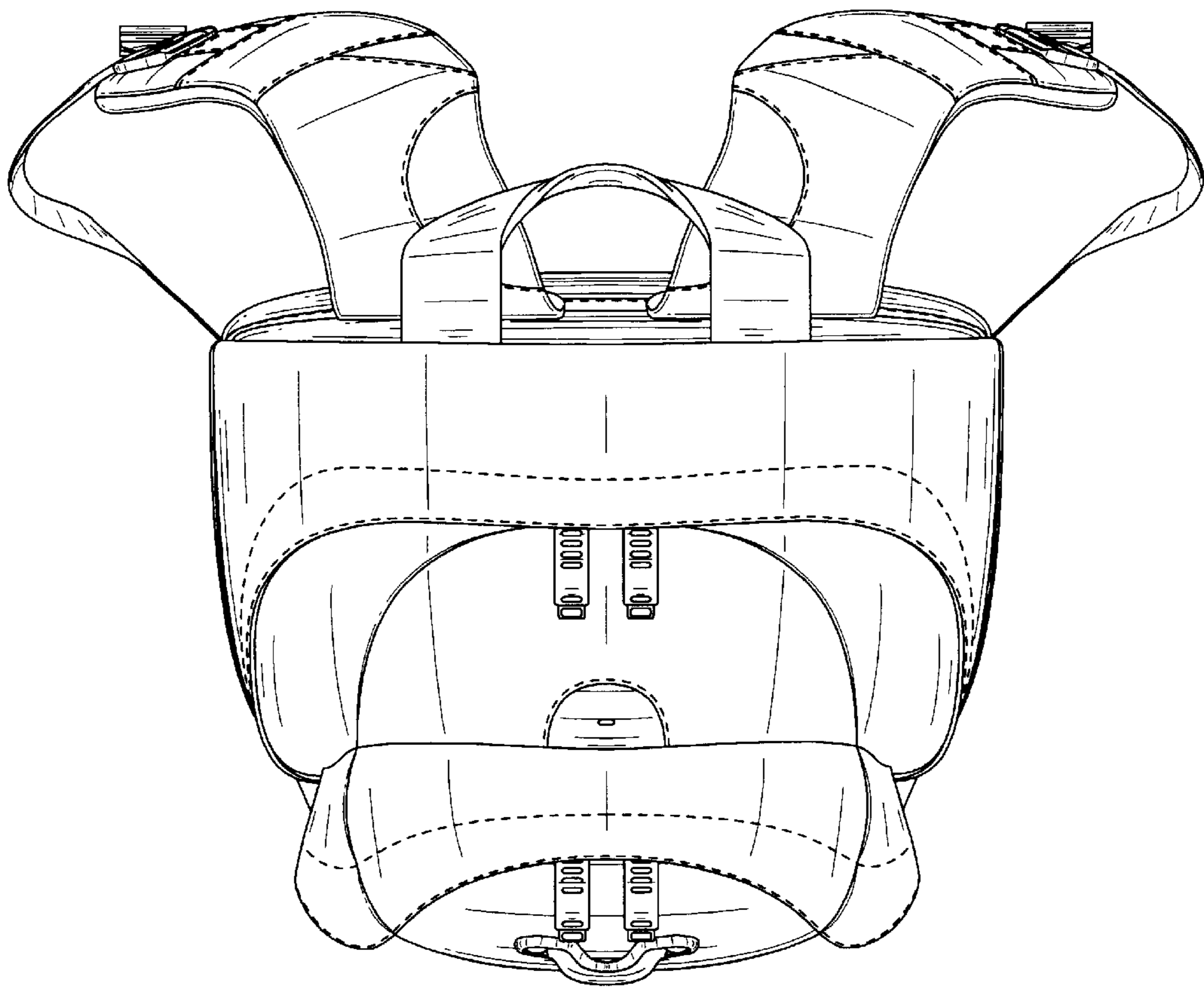


FIG. 6

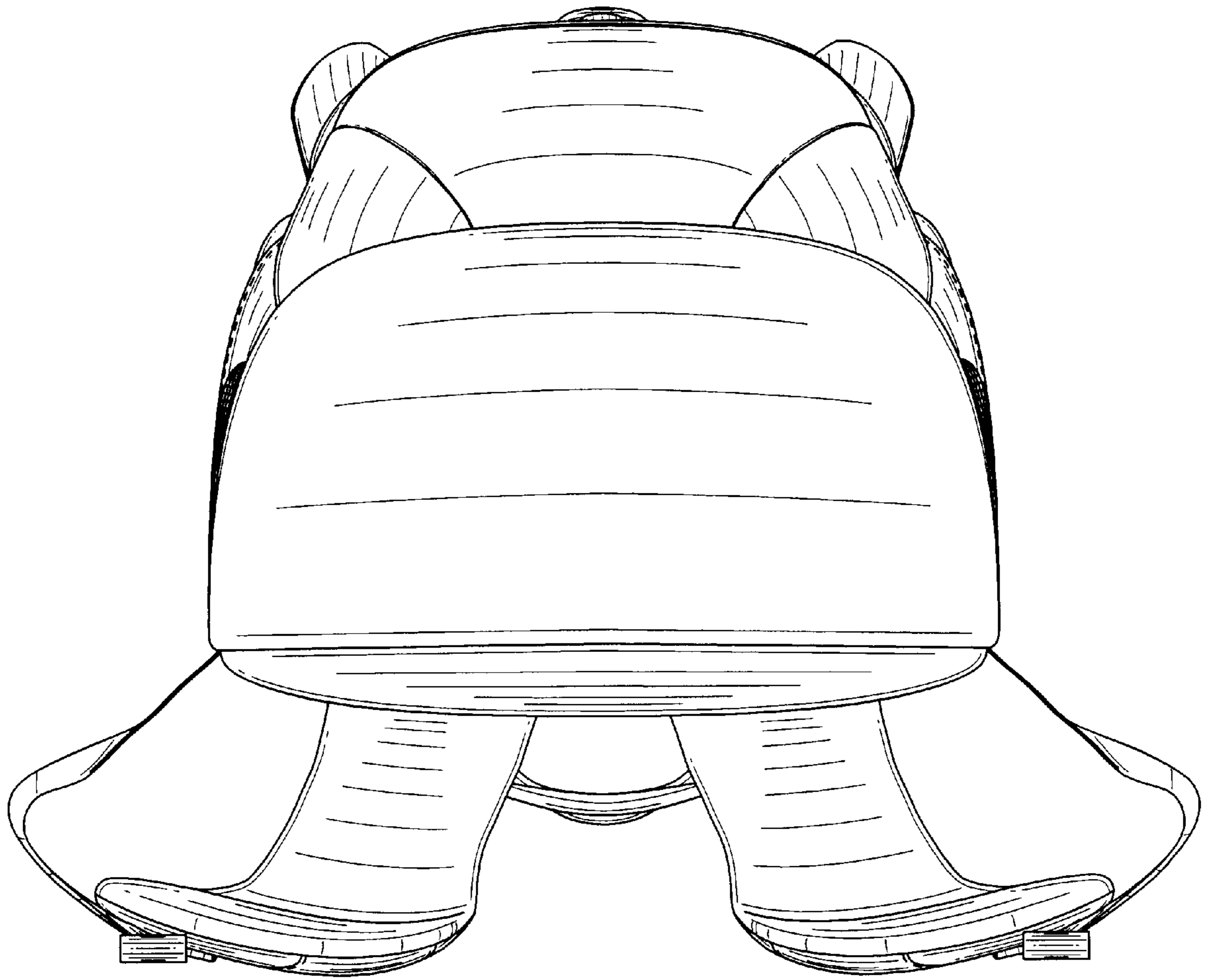


FIG. 7