



US00D484685S

(12) **United States Design Patent**
Kassai et al.

(10) **Patent No.:** **US D484,685 S**

(45) **Date of Patent:** **** Jan. 6, 2004**

(54) **CHILD CARRIER**

(75) Inventors: **Kenzou Kassai**, Osaka (JP); **Yasuhito Kassai**, Osaka (JP); **Yuji Nitta**, deceased, late of Osaka (JP); **by Tokiko Nitta**, legal representative, Toyonaka (JP)

(73) Assignee: **Aprica Kassai Kabushikikaisha**, Osaka (JP)

(**) Term: **14 Years**

(21) Appl. No.: **29/172,133**

(22) Filed: **Dec. 5, 2002**

(30) **Foreign Application Priority Data**

Jun. 7, 2002 (JP) 2002-015330

(51) **LOC (7) Cl.** **03-99**

(52) **U.S. Cl.** **D3/213; D3/215**

(58) **Field of Search** D3/213, 214, 215; 2/84, 94; 224/155, 158, 159, 160, 161

(56) **References Cited**

U.S. PATENT DOCUMENTS

3,027,058	A	*	3/1962	Huber	224/155
4,009,808	A	*	3/1977	Sharp	224/160
4,079,467	A	*	3/1978	Baldwin	2/94
D260,695	S	*	9/1981	Brookfield	D3/213
4,492,326	A	*	1/1985	Storm	224/160
4,579,264	A	*	4/1986	Napolitano	224/160
4,606,078	A	*	8/1986	Tkacsik	2/84
D357,800	S	*	5/1995	Roan et al.	D3/214
5,526,969	A	*	6/1996	Greenberger	224/153
D414,032	S	*	9/1999	Howell	D3/213

D452,993	S	*	1/2002	Norman	D3/214
6,598,771	B2	*	7/2003	Norman	224/160
2002/0175194	A1	*	11/2002	Norman	224/160

* cited by examiner

Primary Examiner—Celia Murphy

(74) *Attorney, Agent, or Firm*—W. F. Fasse; W. G. Fasse

(57) **CLAIM**

The ornamental design for a child carrier, as shown and described.

DESCRIPTION

FIG. 1 is a front view of a child carrier showing our new design;

FIG. 2 is a rear view thereof;

FIG. 3 is a top plan view thereof;

FIG. 4 is a bottom plan view thereof;

FIG. 5 is a left side view thereof;

FIG. 6 is a right side view thereof;

FIG. 7 is a perspective view thereof;

FIG. 8 is a perspective view thereof shown in the position of use;

FIG. 9 is a perspective view of FIG. 1 with the hood portion removed;

FIG. 10 is a perspective view of FIG. 1 configured for use; and,

FIG. 11 is a reduced perspective view of FIG. 10 attached to a jacket.

The broken lines showing a jacket and child in FIGS. 10 and 11 illustrate the use of the design, but form no part of the claim. The broken lines shown on the surface of the child carrier throughout the views are understood to represent stitching.

1 Claim, 9 Drawing Sheets

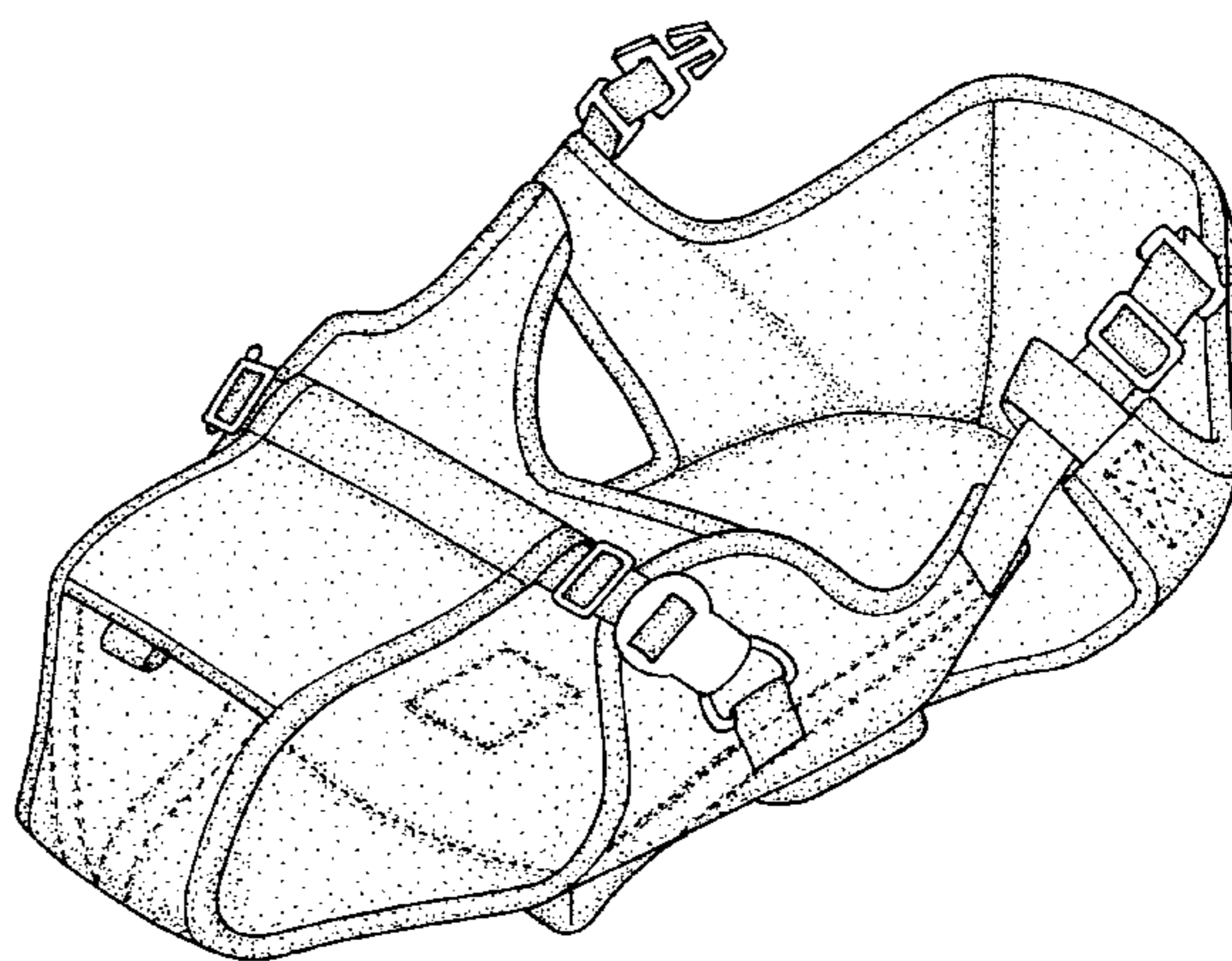
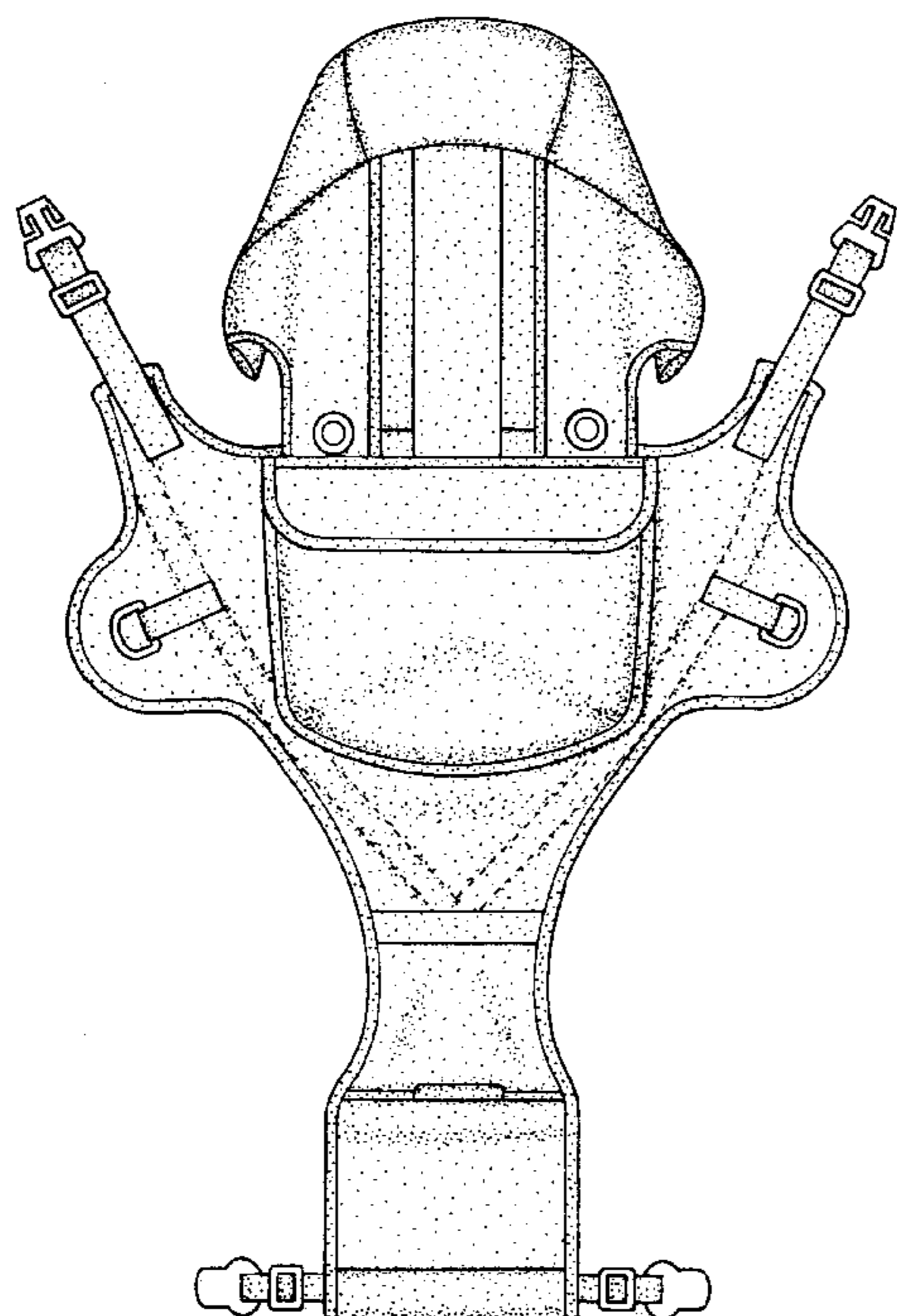


FIG. 1

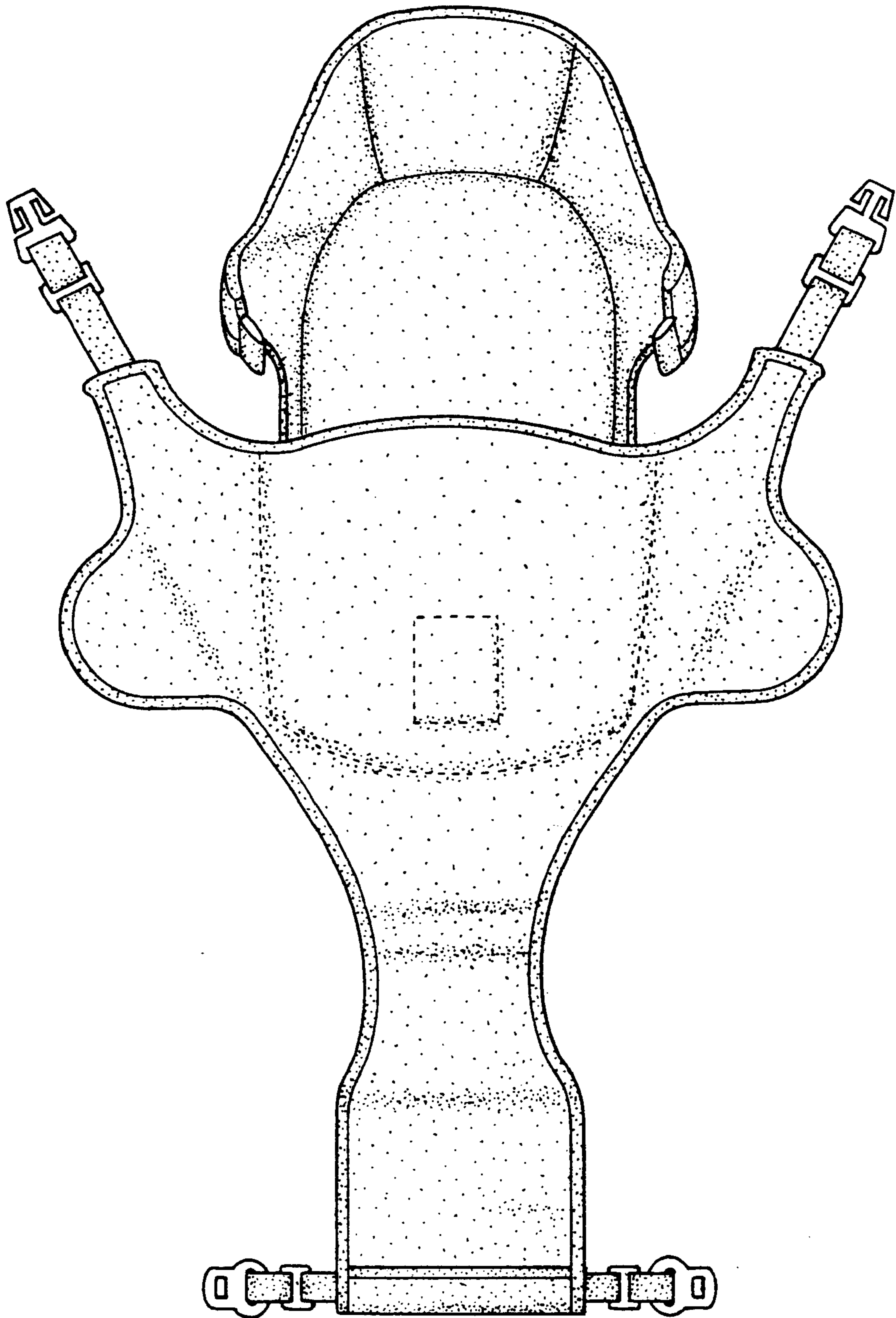


FIG. 2

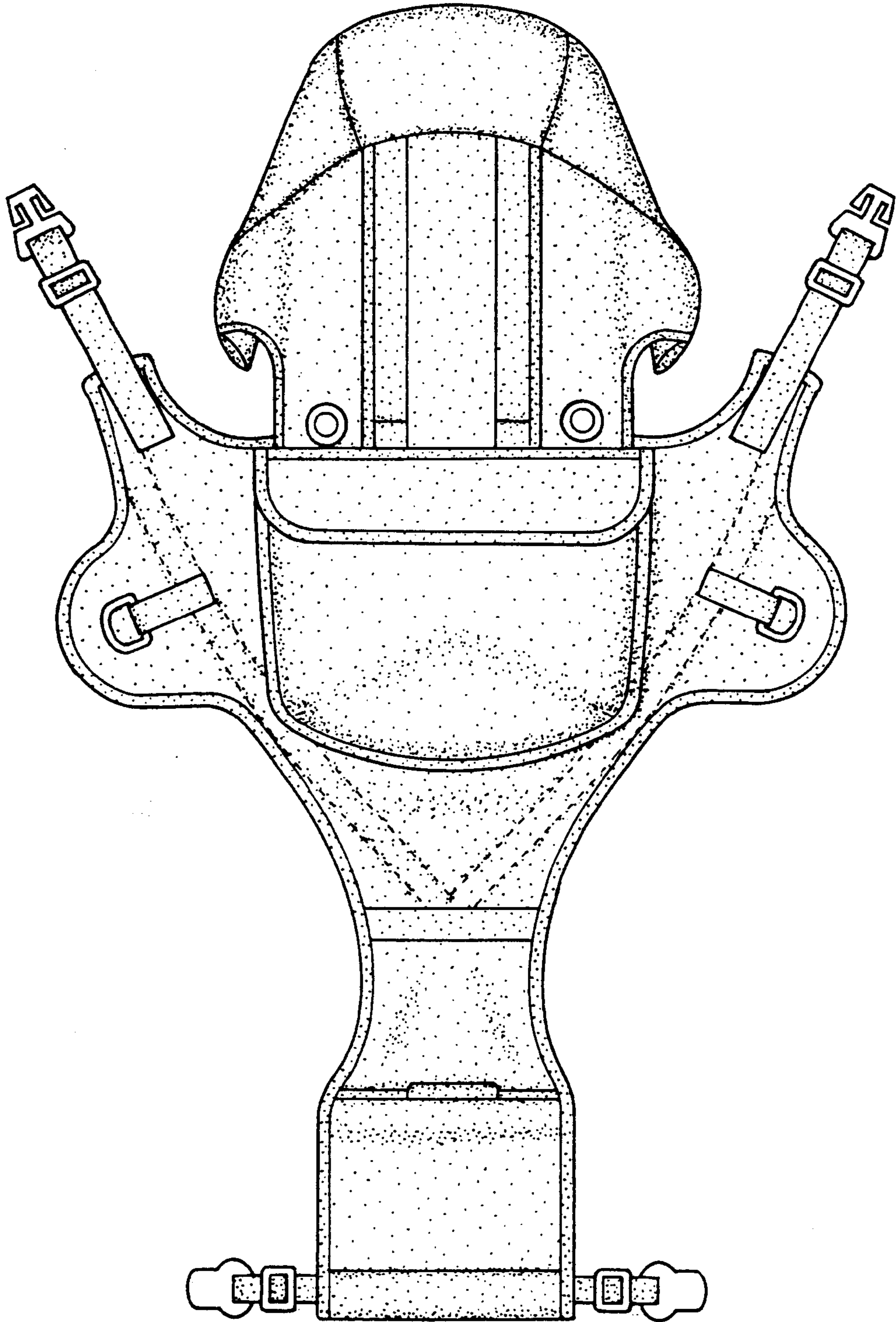


FIG. 3

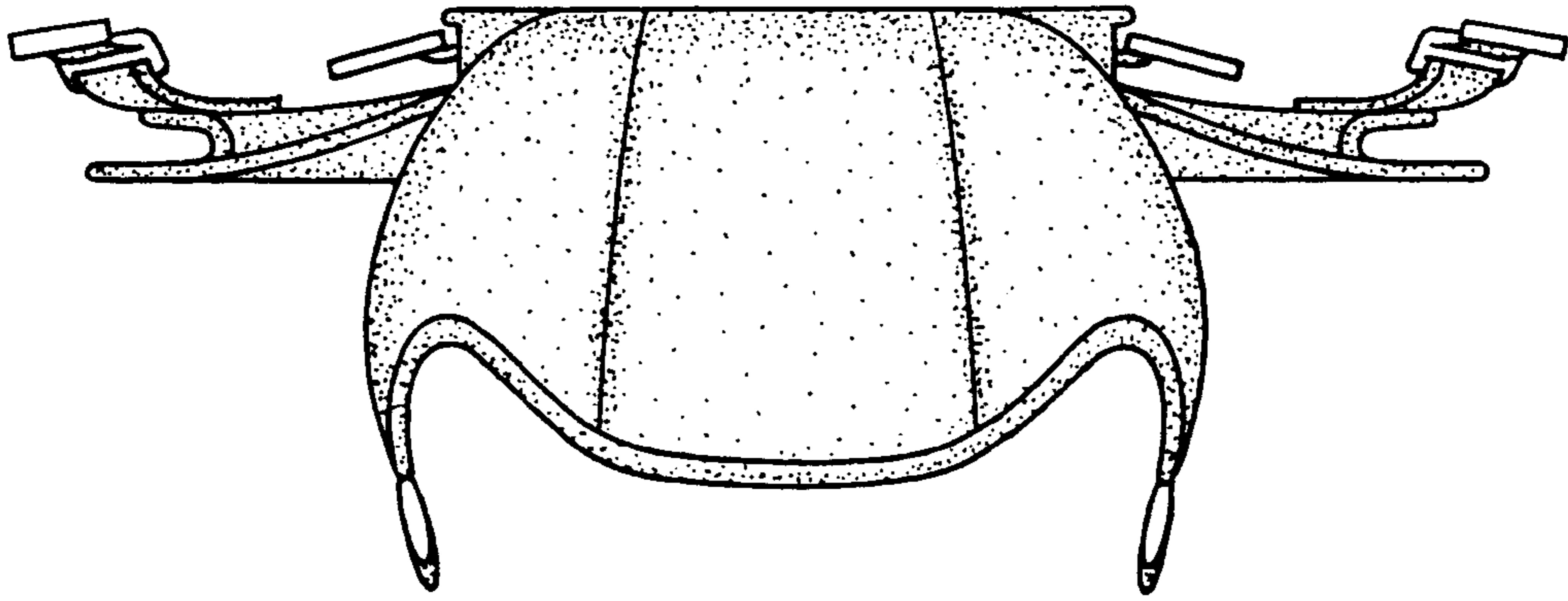


FIG. 4

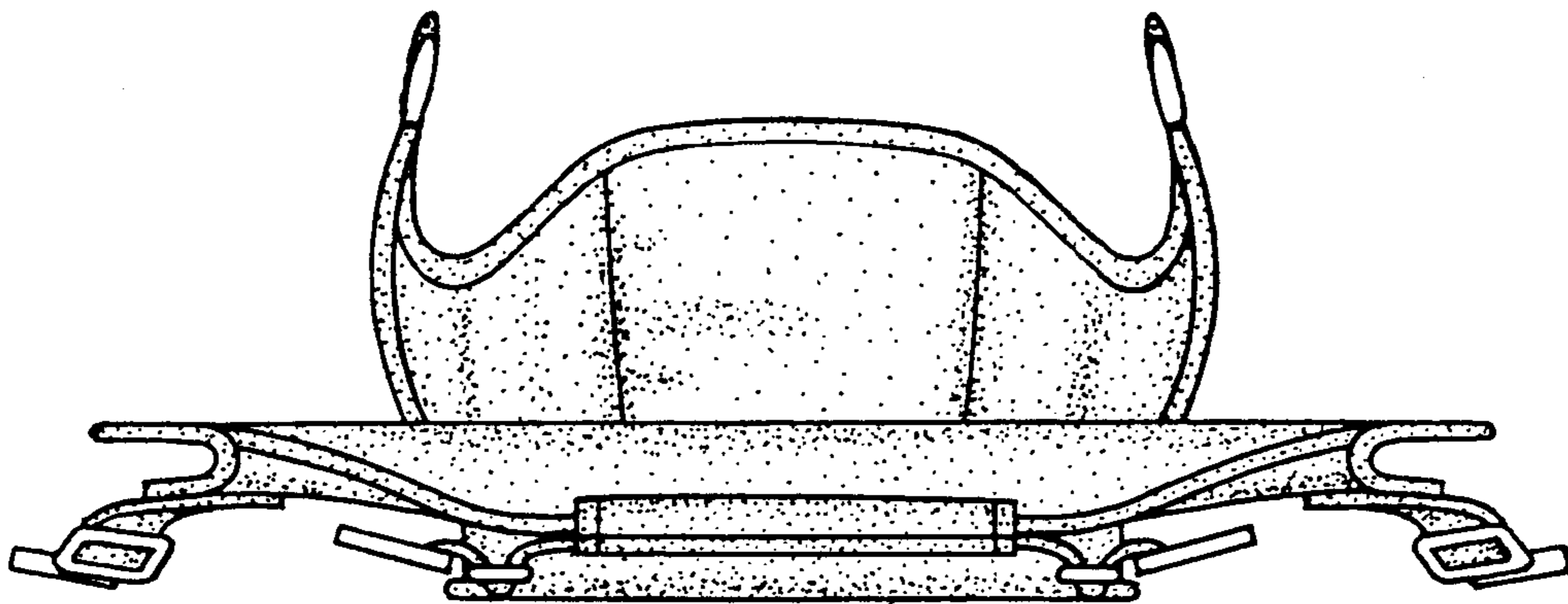


FIG. 5

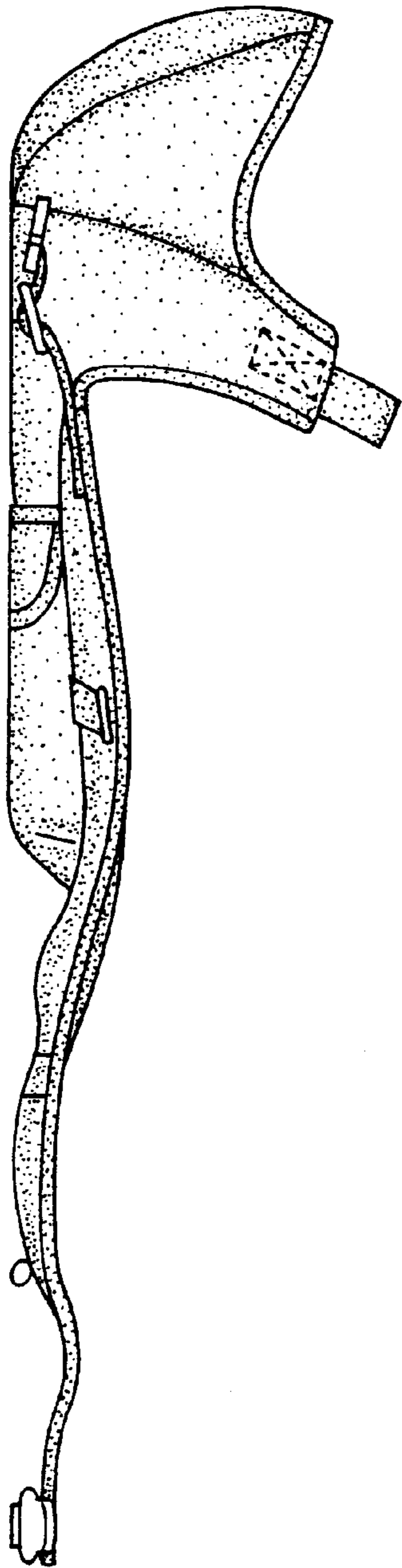


FIG. 6

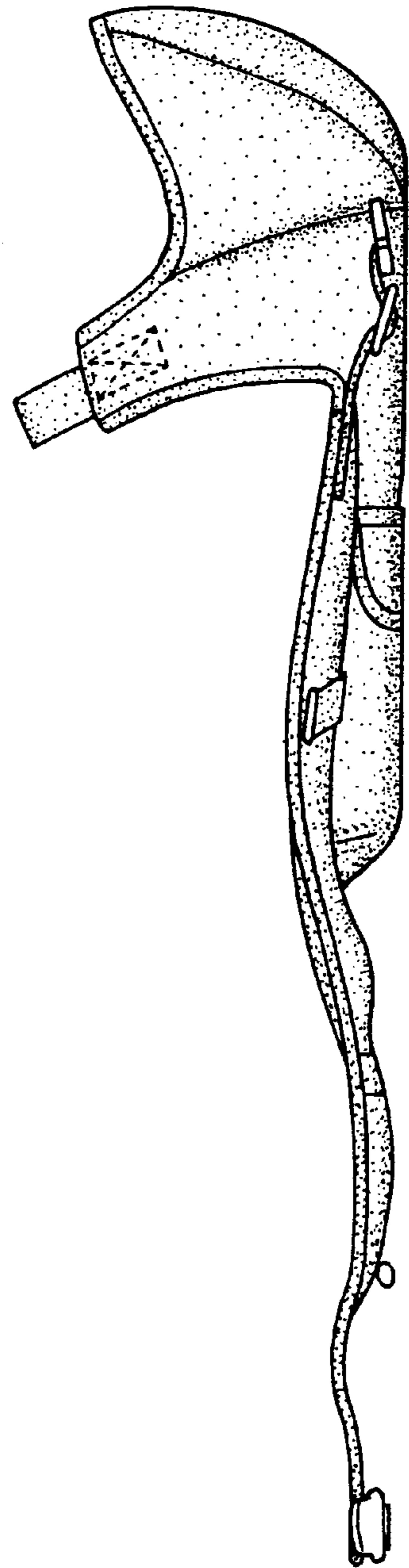


FIG. 7

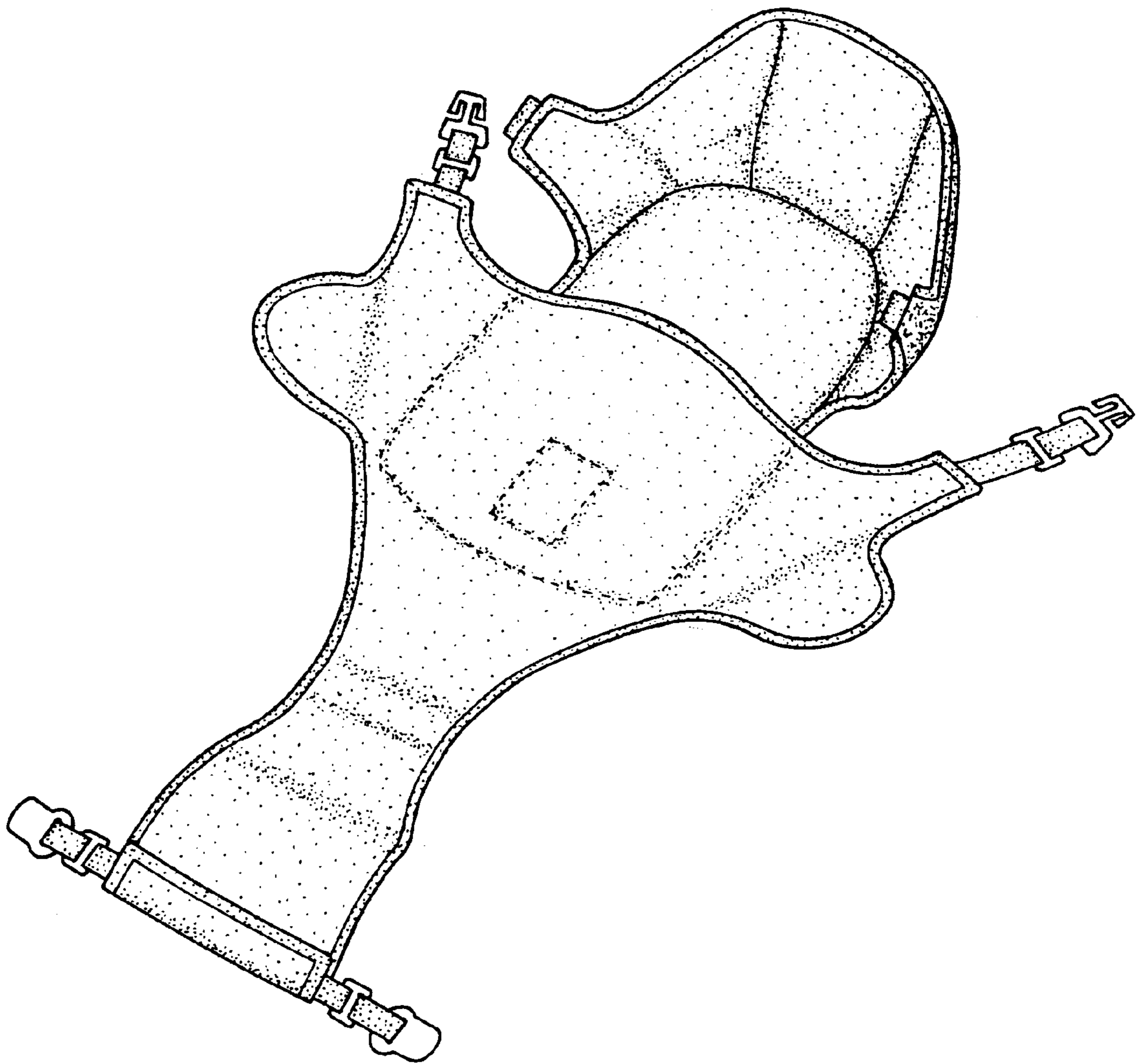


FIG. 8

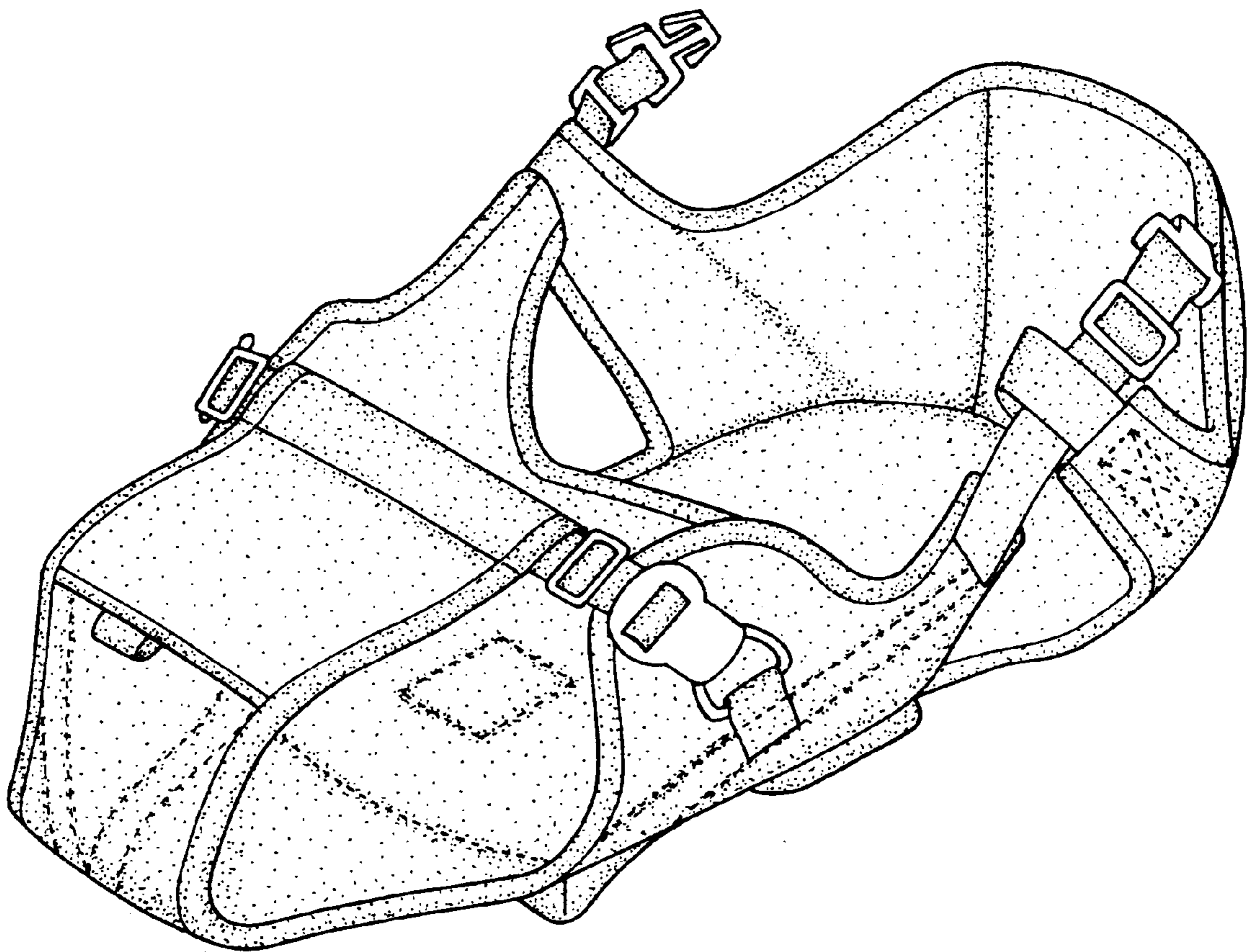


FIG. 9

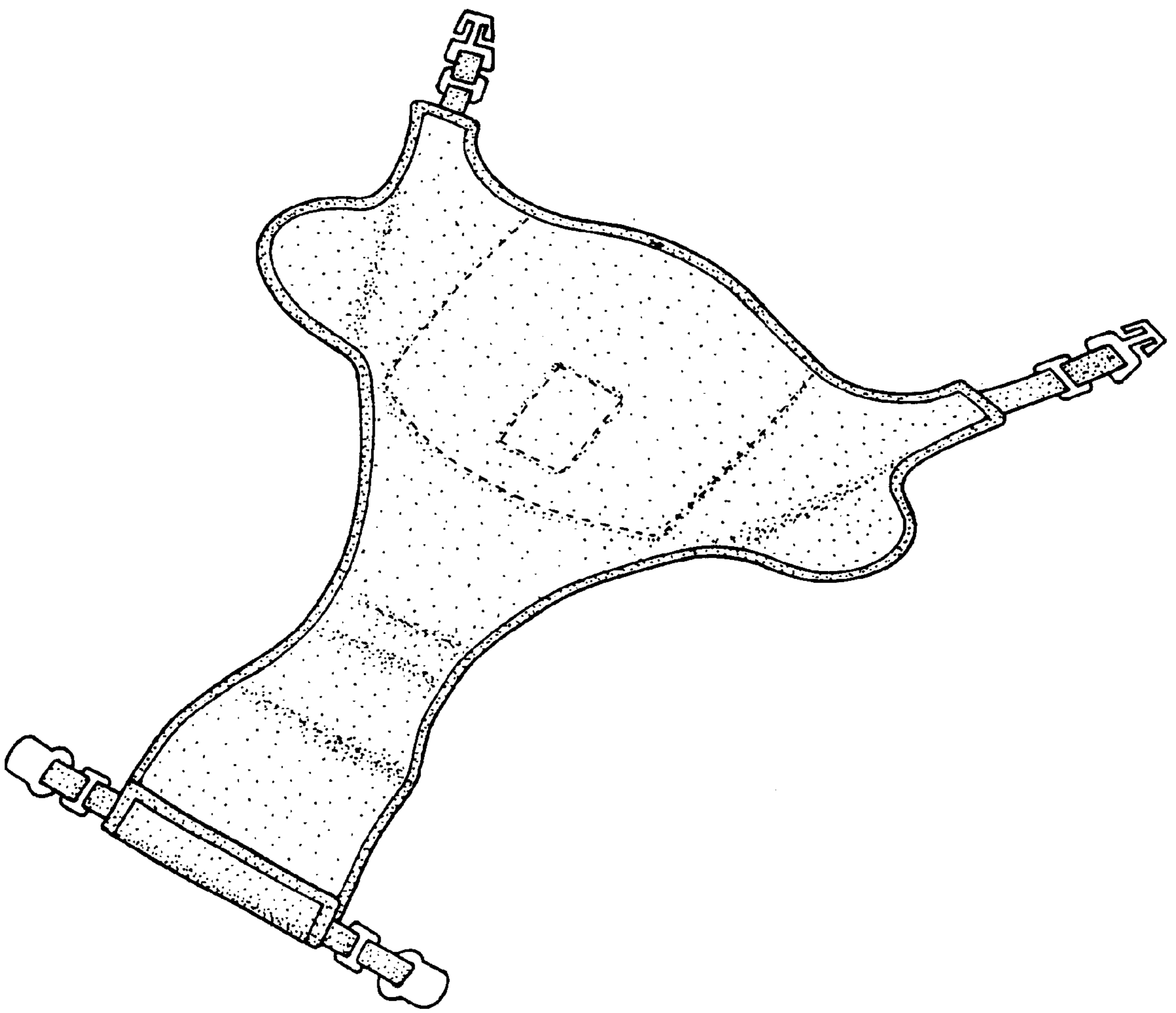


FIG. 10

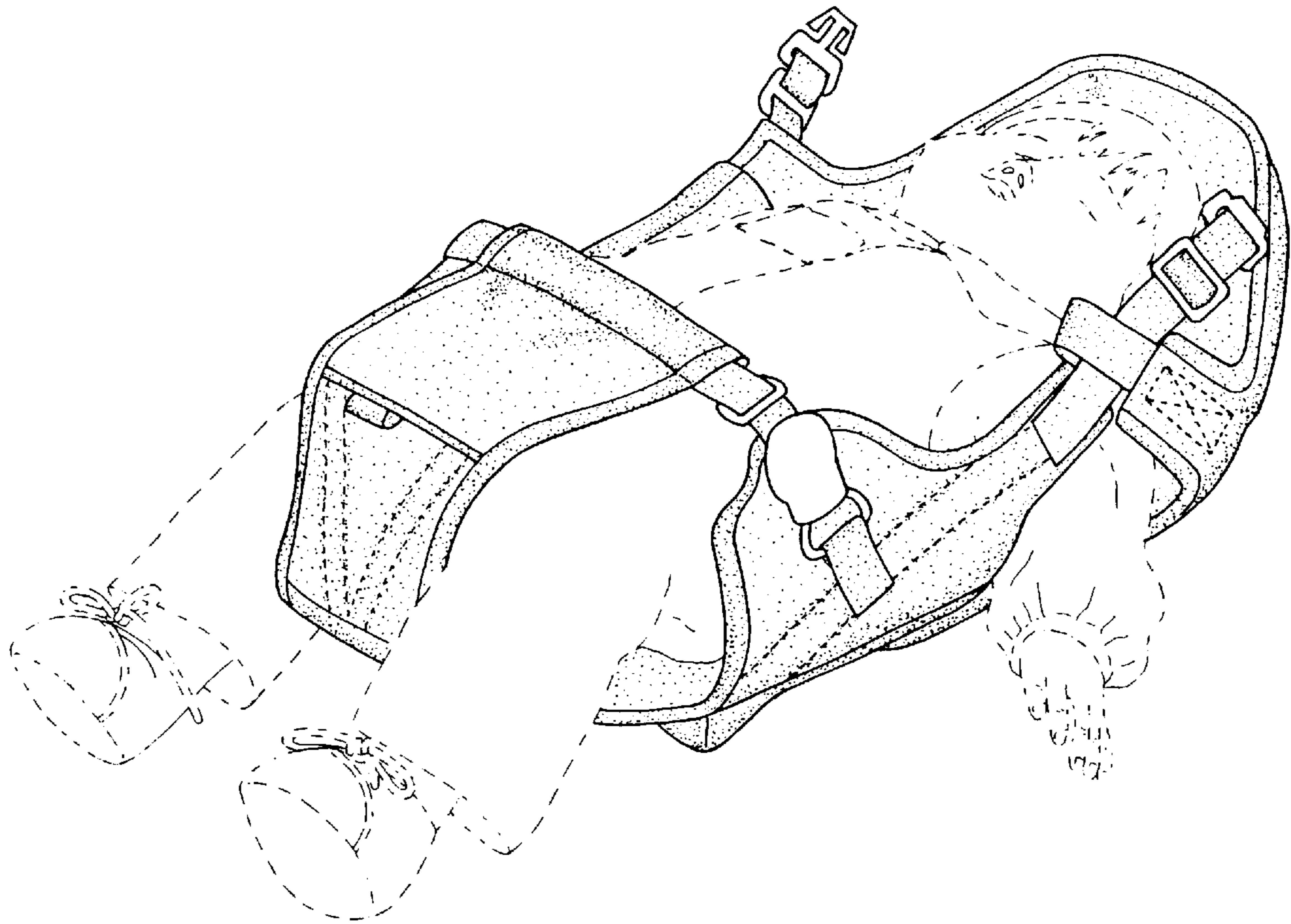


FIG. 11

