



US00D484684S

(12) **United States Design Patent**
Eldon, III et al.

(10) **Patent No.:** **US D484,684 S**

(45) **Date of Patent:** **** Jan. 6, 2004**

(54) **TOILETRY CASE**

(75) **Inventors:** **James B. Eldon, III**, Barto, PA (US);
David D. McClanahan, Harleysville,
PA (US); **Kevin Foley**, Kempton, PA
(US); **James S. O'Halloran**, Kutztown,
PA (US)

(73) **Assignee:** **Radius Corporation**, Kutztown, PA
(US)

(**) **Term:** **14 Years**

(21) **Appl. No.:** **29/160,467**

(22) **Filed:** **May 10, 2002**

(51) **LOC (7) Cl.** **03-01**

(52) **U.S. Cl.** **D3/205**

(58) **Field of Search** D3/201, 203, 205,
D3/206, 226, 265, 273, 286, 301, 901,
903; D9/315, 337; D28/61, 77, 83; 206/38,
228, 351, 581; 312/73, 75, 75.5, 286, 287,
289, 300, 314, 315

(56) **References Cited**

U.S. PATENT DOCUMENTS

496,973 A * 5/1893 Grant 206/38
D26,394 S * 12/1896 Spencer D3/265

1,868,985 A * 7/1932 Lyon 132/75
2,190,538 A * 2/1940 Williamson 206/38
D216,351 S * 12/1969 Mitchell D28/77
D404,917 S * 2/1999 Miller et al. D3/273 X

* cited by examiner

Primary Examiner—Louis S. Zarfes

Assistant Examiner—Monica A. Weingart

(74) *Attorney, Agent, or Firm*—Fish & Richardson P.C.

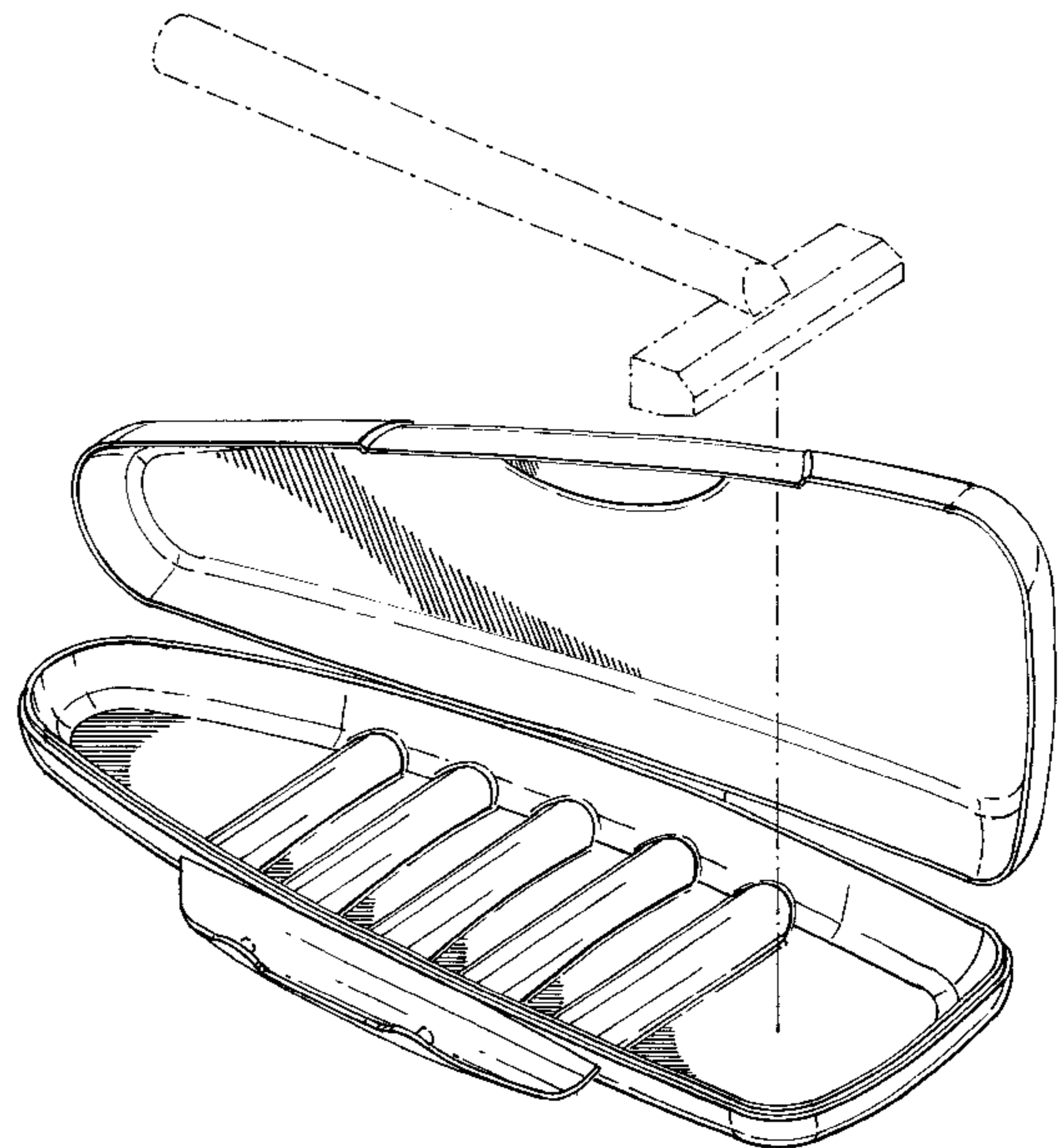
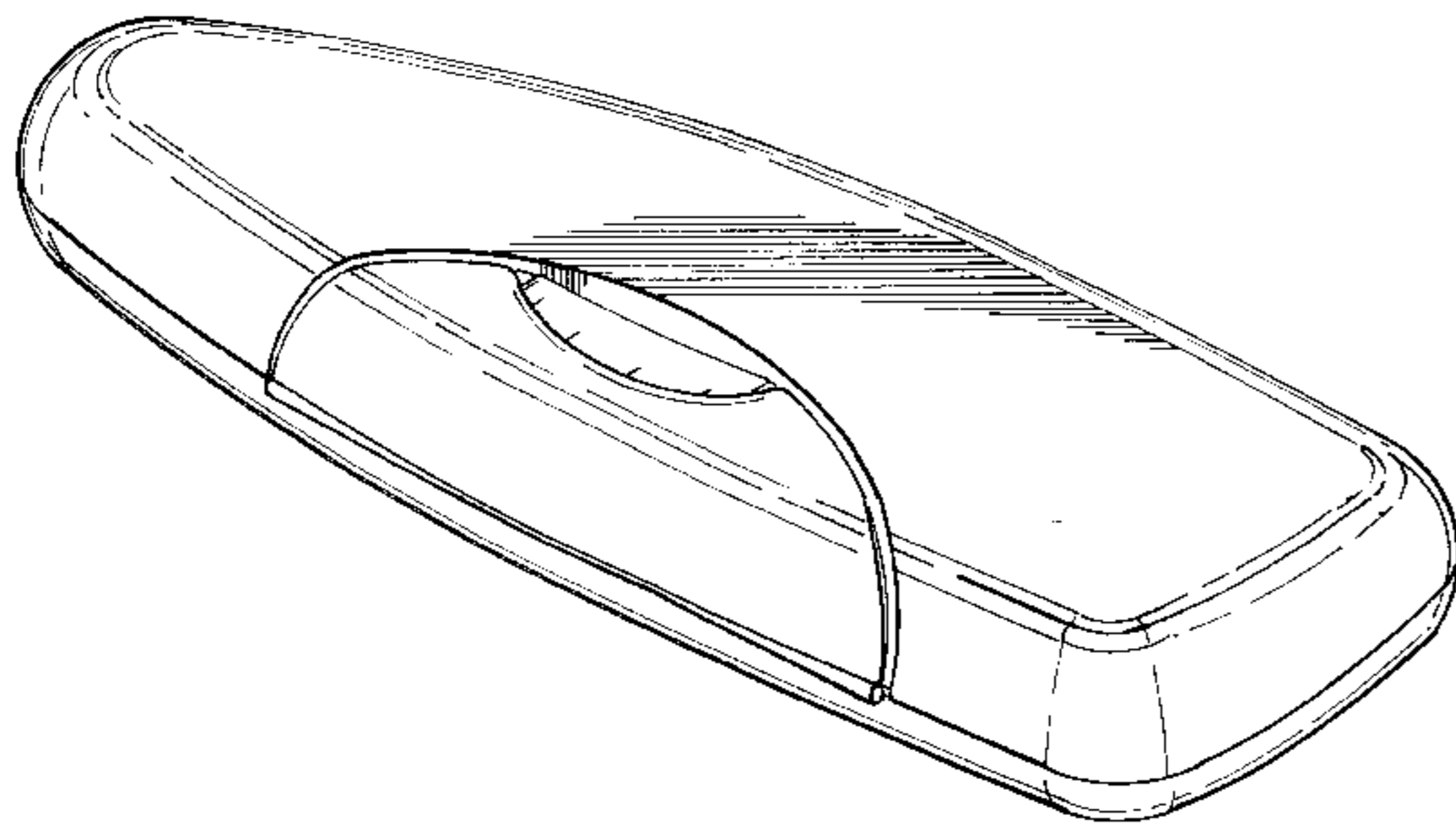
(57) **CLAIM**

The ornamental design for a toiletry case, as shown and described.

DESCRIPTION

FIG. 1 is a perspective view of the top of the toiletry case.
FIG. 2 is a top view of the toiletry case.
FIG. 3 is a front side view of the toiletry case.
FIG. 4 is a rear side view of the toiletry case.
FIG. 5 is a bottom view of the toiletry case.
FIG. 6 is a right end view of the toiletry case.
FIG. 7 is a left end view of the toiletry case; and,
FIG. 8 is a perspective view of the toiletry case, opened to show internal surfaces. A shaving razor is shown in broken line format in FIG. 8, and does not form any part of the claimed design.

1 Claim, 3 Drawing Sheets



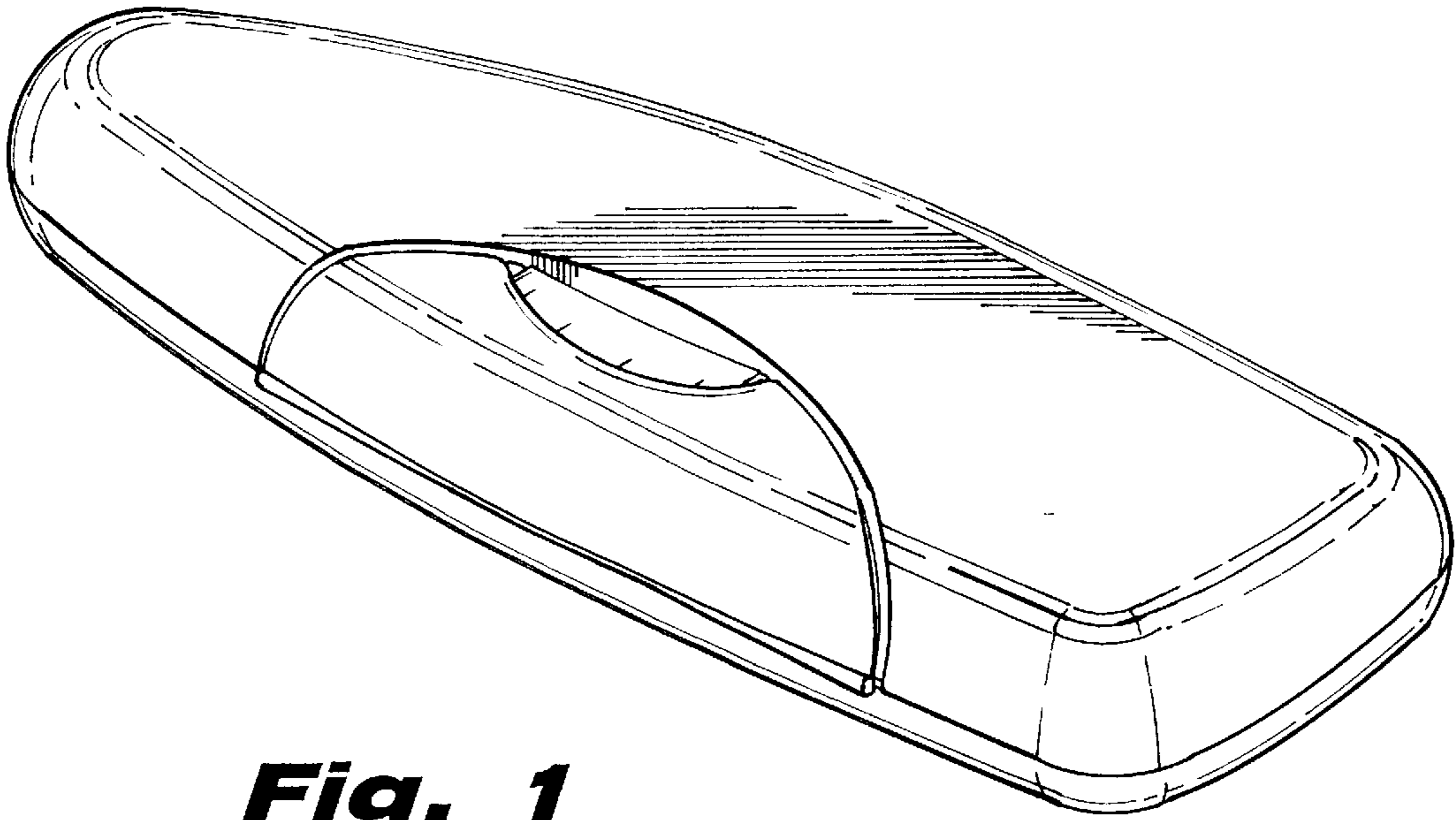


Fig. 1

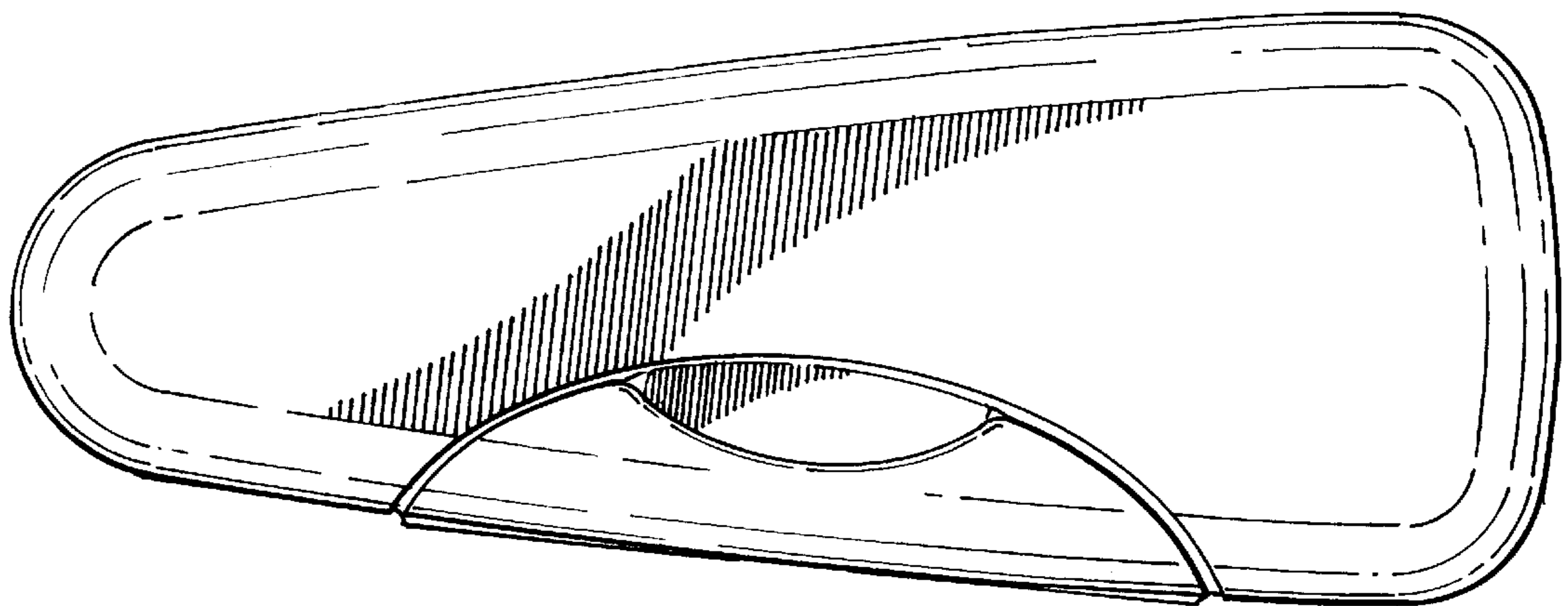


Fig. 2

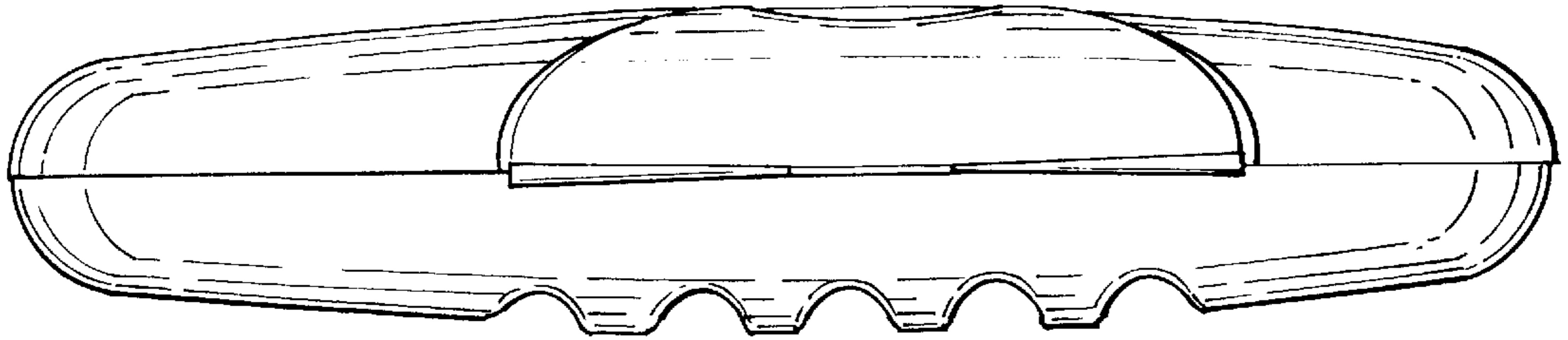


Fig. 3

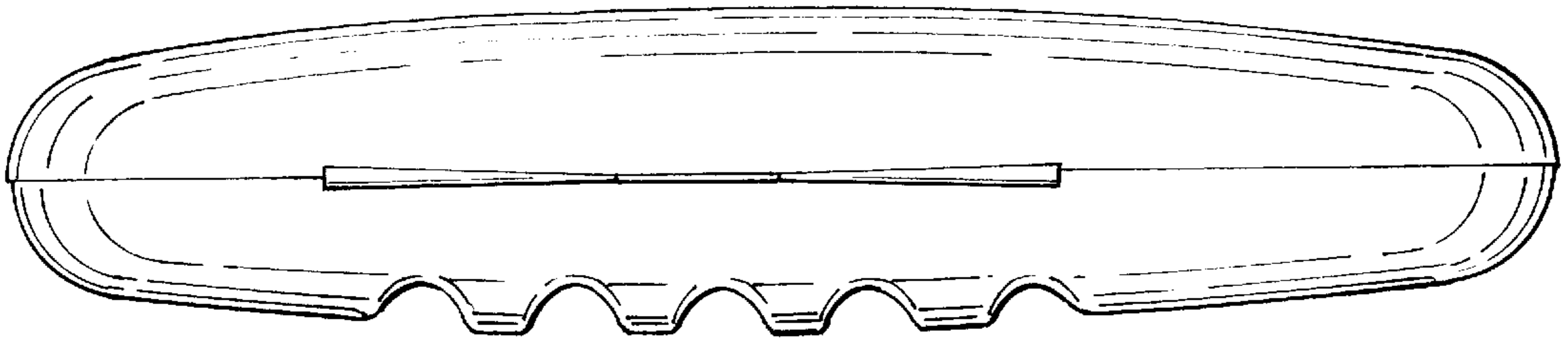


Fig. 4

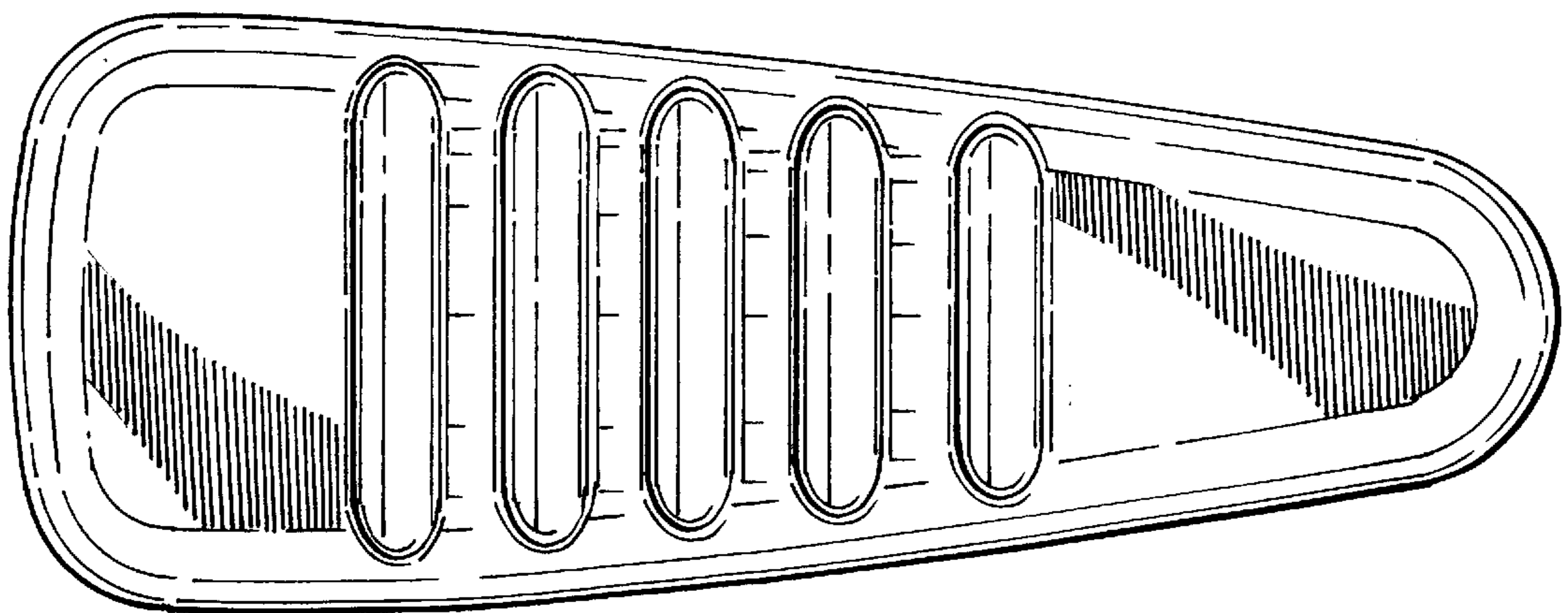


Fig. 5

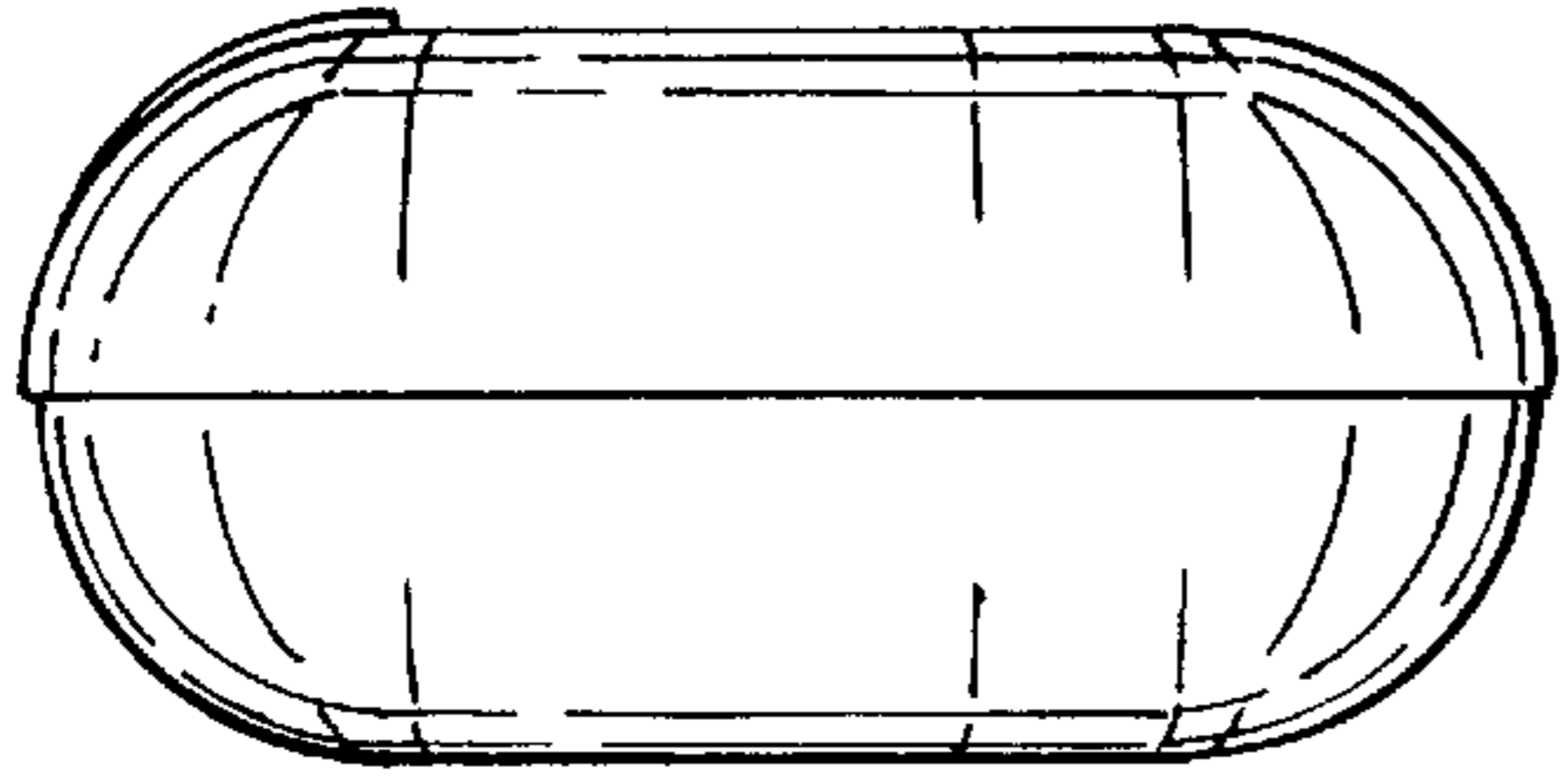


Fig. 6

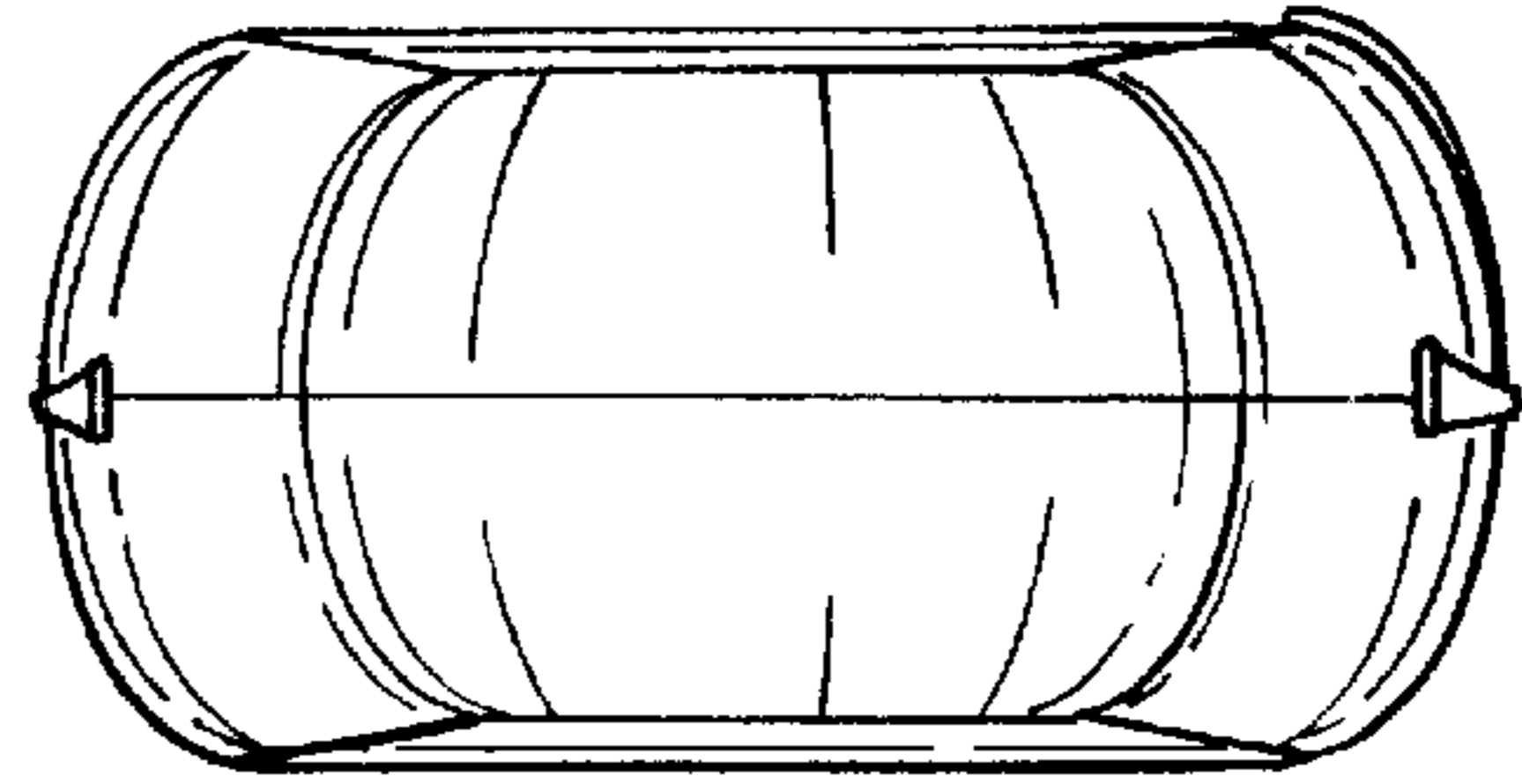


Fig. 7

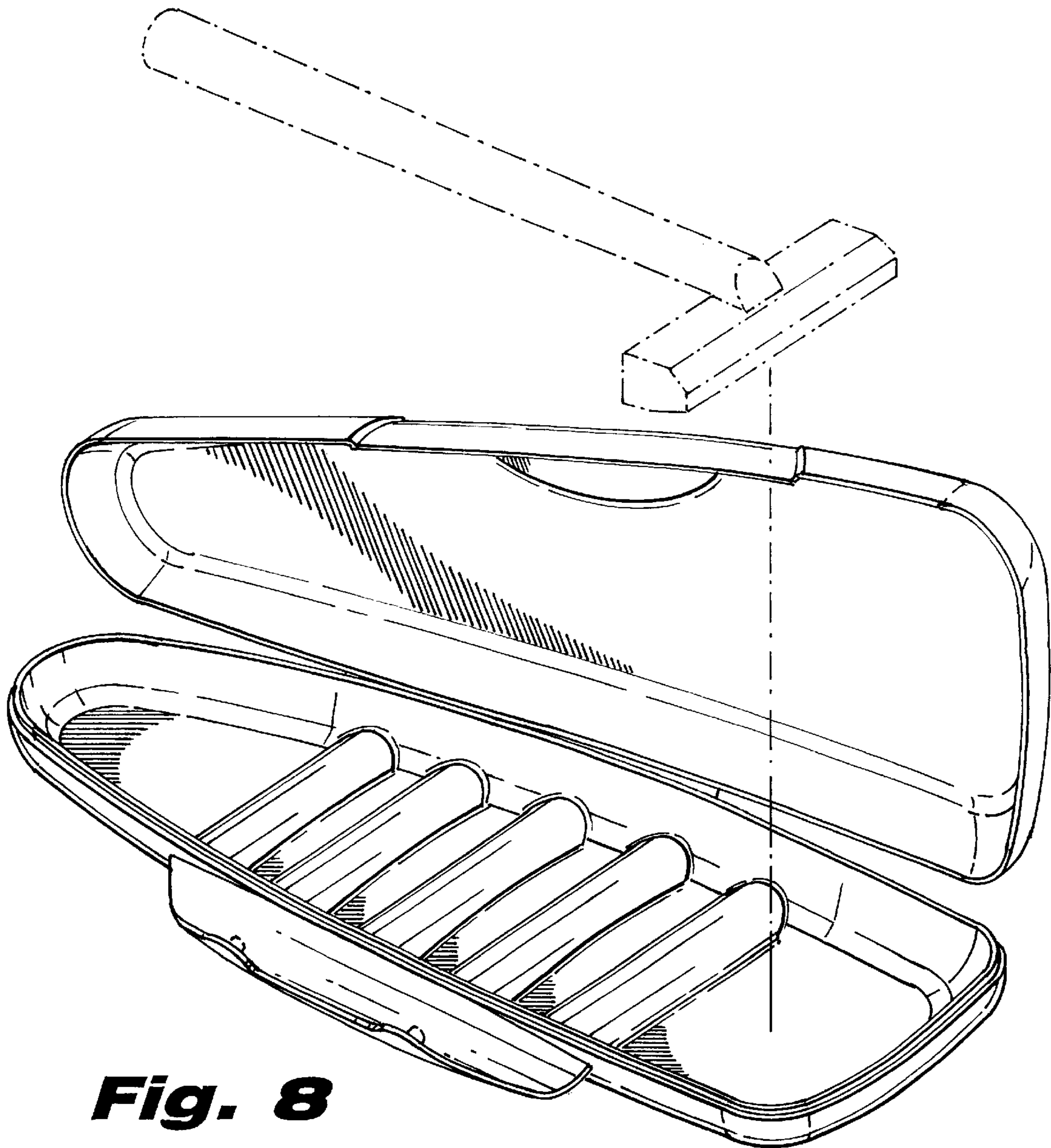


Fig. 8