



US00D484683S

(12) **United States Design Patent**
Eldon, III et al.

(10) **Patent No.:** **US D484,683 S**
(45) **Date of Patent:** **** Jan. 6, 2004**

(54) **TOILETRY CASE**

(75) Inventors: **James B. Eldon, III**, Barto, PA (US);
David D. McClanahan, Harleysville,
PA (US); **Kevin Foley**, Kempton, PA
(US); **James S. O'Halloran**, Kutztown,
PA (US)

(73) Assignee: **Radius Corporation**, Kutztown, PA
(US)

(**) Term: **14 Years**

(21) Appl. No.: **29/160,428**

(22) Filed: **May 10, 2002**

(51) **LOC (7) Cl.** **03-01**

(52) **U.S. Cl.** **D3/205**

(58) **Field of Search** D3/201, 203, 205,
D3/206, 226, 265, 273, 286, 301, 901,
903; D9/315, 337; D28/61, 77, 83; 206/38,
228, 351, 581; 312/73, 75, 75.5, 286, 287,
289, 300, 314, 315

(56) **References Cited**

U.S. PATENT DOCUMENTS

1,420,523 A * 6/1922 Coryell 132/75
1,860,261 A * 5/1932 Mirmann 132/75

1,960,119 A * 5/1934 Mirmann 132/75
D166,420 S * 4/1952 Schluttig D28/77
3,323,638 A * 6/1967 Dishart 206/38
2001/0004053 A1 * 6/2001 Taormina 206/581

* cited by examiner

Primary Examiner—Louis S. Zarfes

Assistant Examiner—Monica A. Weingart

(74) *Attorney, Agent, or Firm*—Fish & Richardson P.C.

(57) **CLAIM**

The ornamental design for a toiletry case, as shown and described.

DESCRIPTION

FIG. 1 is a perspective view of the top of the toiletry case. FIG. 2 is a right end view of the toiletry case, the left end view being the mirror image thereof.

FIG. 3 is a top view of the toiletry case.

FIG. 4 is a bottom view of the toiletry case.

FIG. 5 is a front side view of the toiletry case.

FIG. 6 is a rear side view of the toiletry case; and,

FIG. 7 is a perspective view of the toiletry case, opened to show internal surfaces. A toothbrush is shown in broken line format in FIG. 7, and does not form any part of the claimed design.

1 Claim, 4 Drawing Sheets

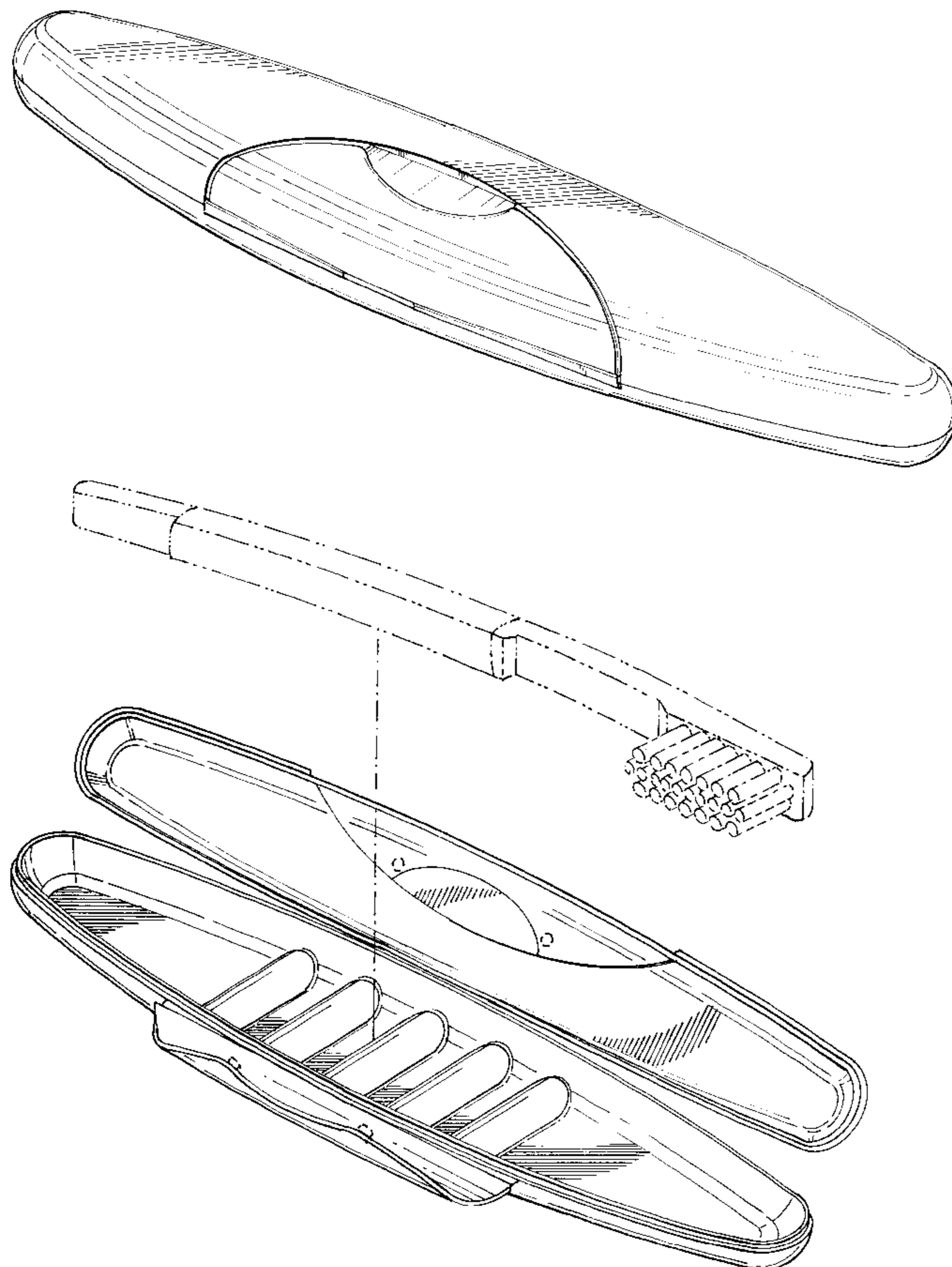


Fig. 1

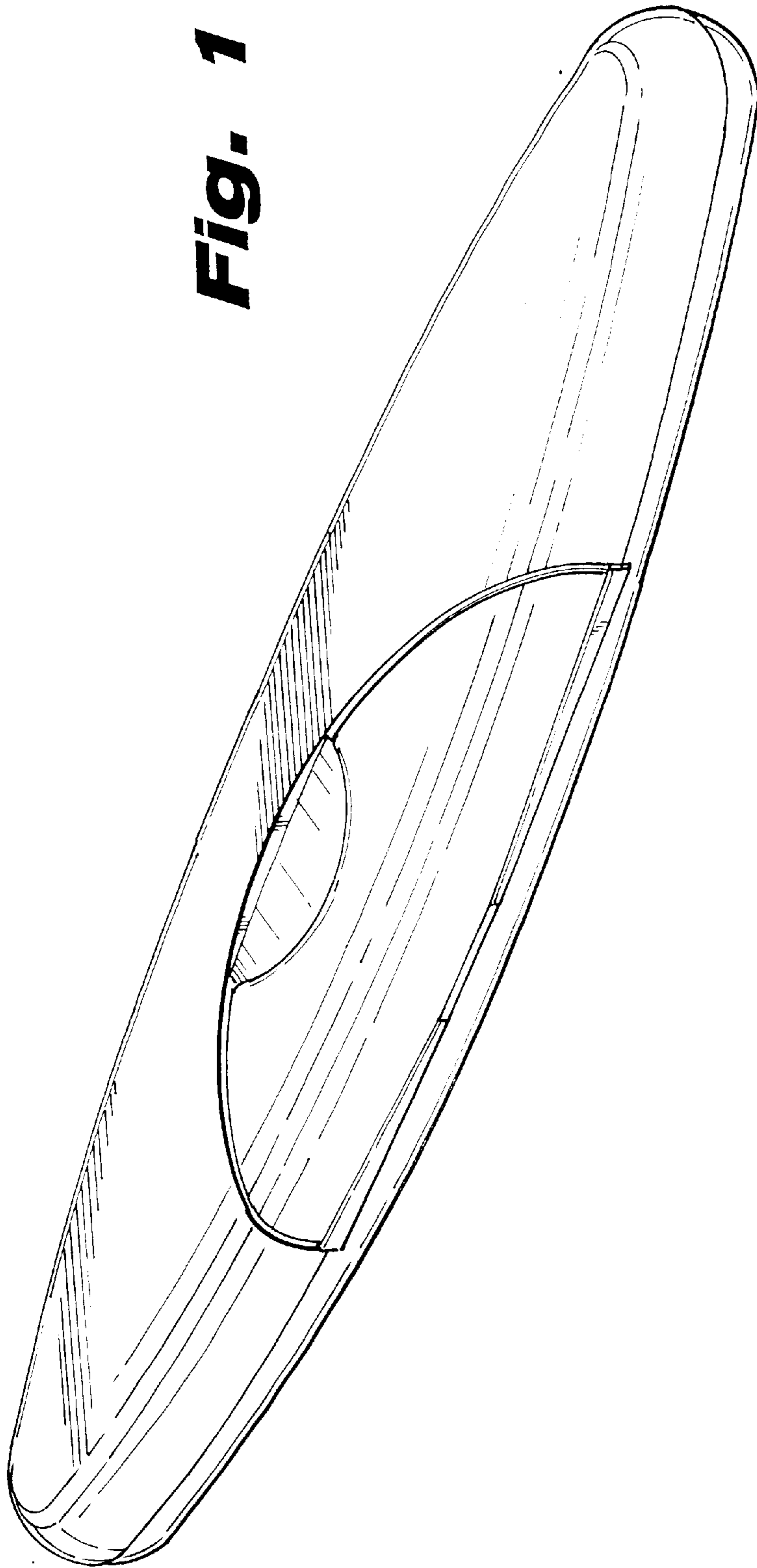
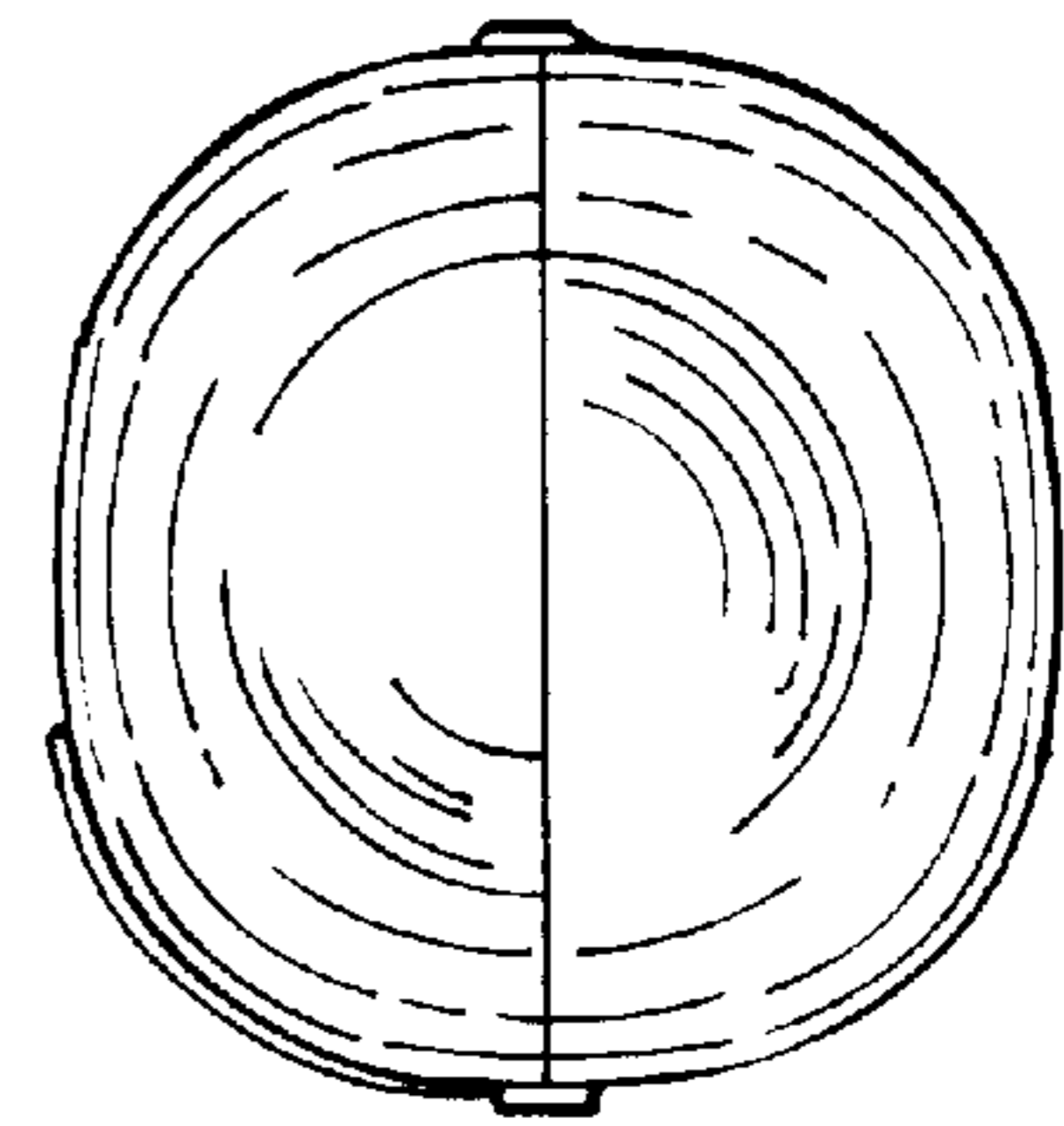


Fig. 2



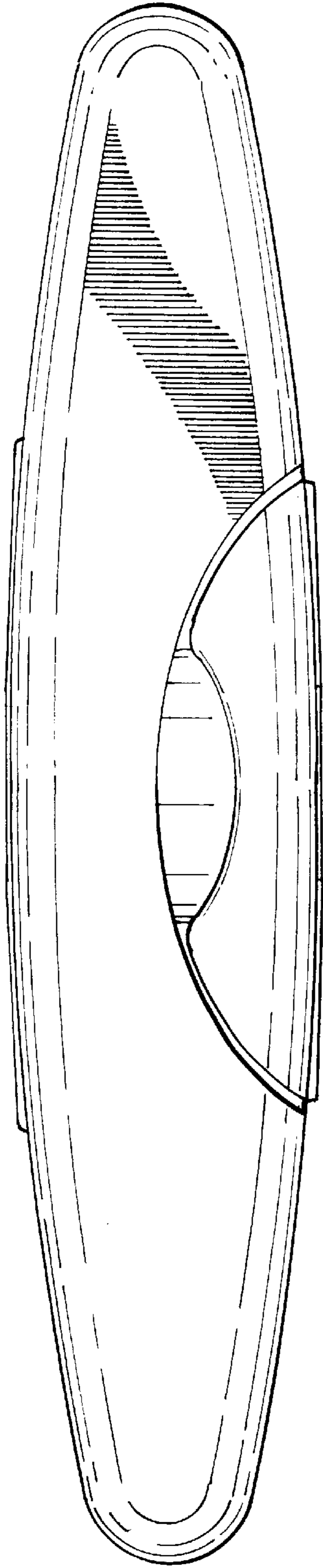


Fig. 3

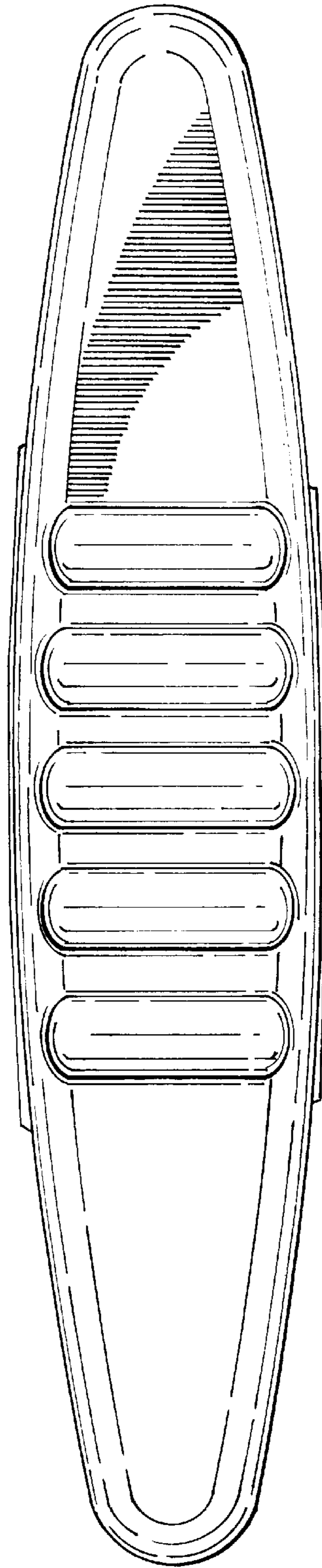


Fig. 4



Fig. 5



Fig. 6

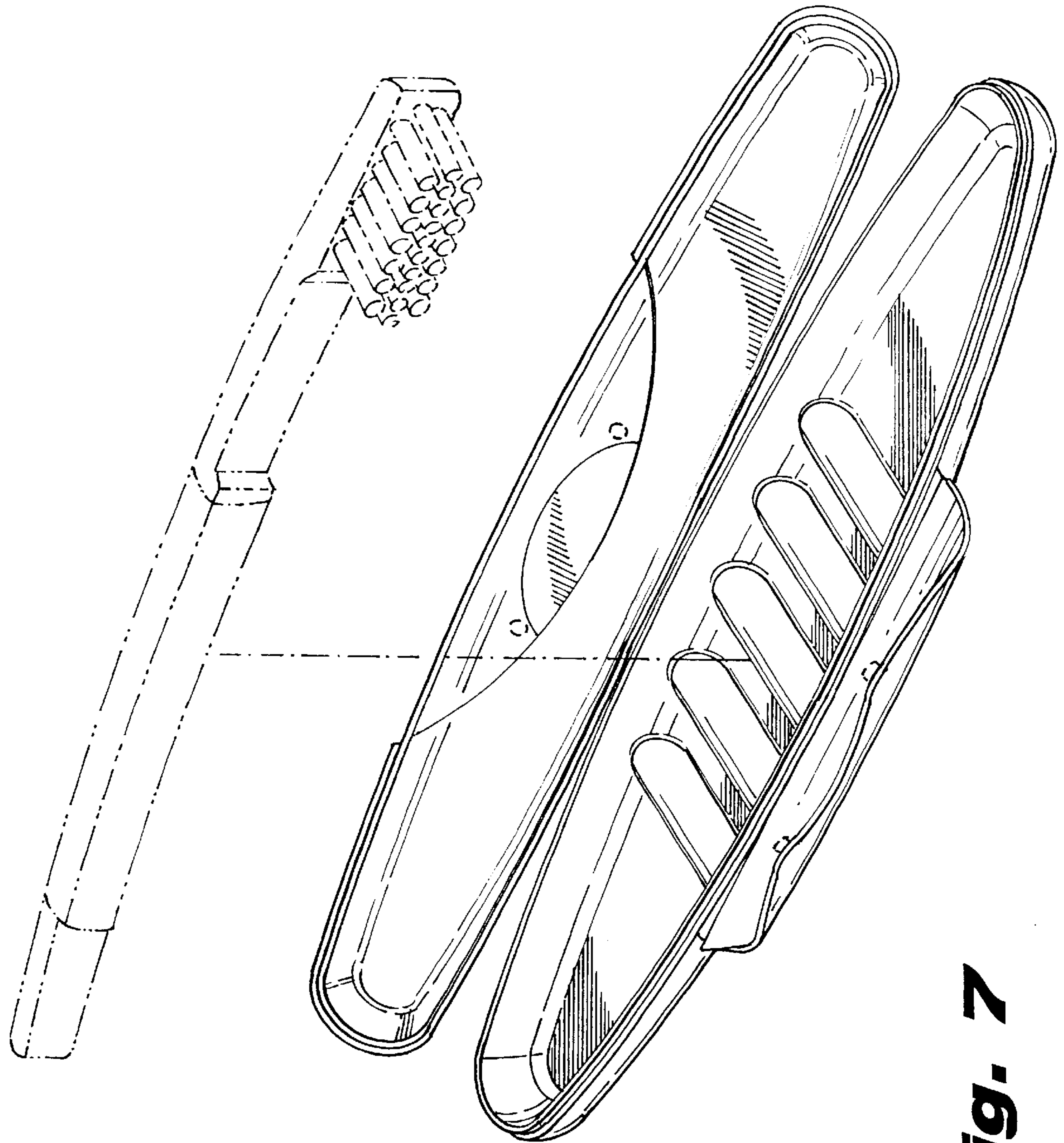


Fig. 7