



US00D484682S

(12) **United States Design Patent**
Sylvan

(10) **Patent No.:** **US D484,682 S**

(45) **Date of Patent:** **** Jan. 6, 2004**

(54) **MUSICAL INSTRUMENT CASE**

(75) **Inventor:** **Richard Sylvan, Glenview, IL (US)**

(73) **Assignee:** **G. Leblanc Corporation, Kenosha, WI (US)**

(**) **Term:** **14 Years**

(21) **Appl. No.:** **29/175,193**

(22) **Filed:** **Jan. 31, 2003**

(51) **LOC (7) Cl.** **03-01**

(52) **U.S. Cl.** **D3/204; D3/201; D3/273**

(58) **Field of Search** **D3/201, 204, 269, D3/272, 273; 190/100, 900, 314; 206/14; 211/85.6; 224/910**

(56) **References Cited**

U.S. PATENT DOCUMENTS

D163,210 S	*	5/1951	Long	
D201,487 S	*	6/1965	De Vos	
D269,480 S	*	6/1983	Peterson et al.	D3/204
D308,915 S	*	7/1990	Lanius	D3/284
D353,048 S	*	12/1994	VanSkiver et al.	D3/276
D384,807 S	*	10/1997	Dougherty	D3/204
5,806,673 A	*	9/1998	Sanderson	206/314

6,029,804 A	*	2/2000	Flynn	206/14
D464,196 S	*	10/2002	Parker	D3/273
6,462,260 B2	*	10/2002	Fediakov	84/327
D469,955 S	*	2/2003	Lauer	D3/294

* cited by examiner

Primary Examiner—Celia Murphy

(74) *Attorney, Agent, or Firm*—Barnes & Thornburg

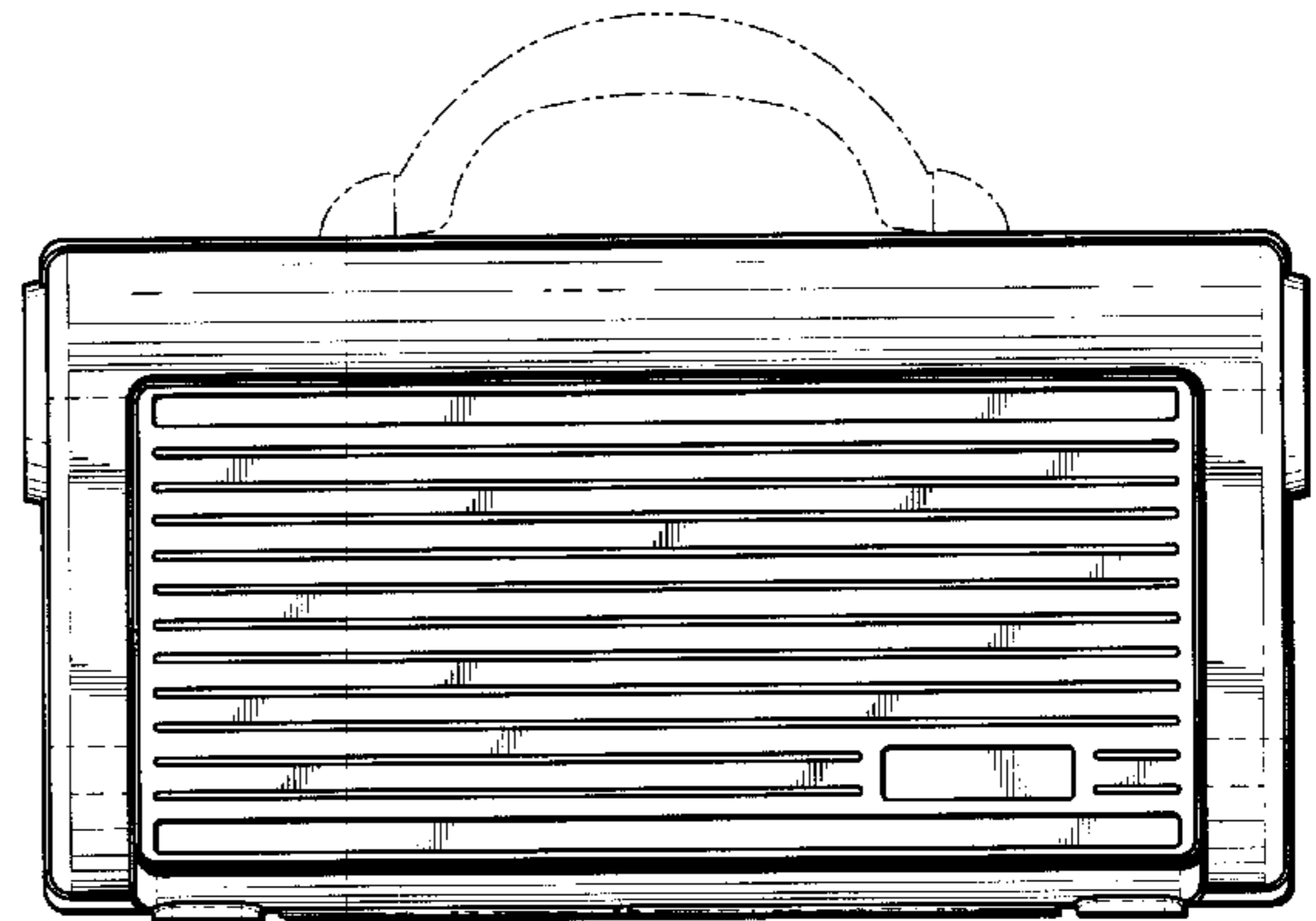
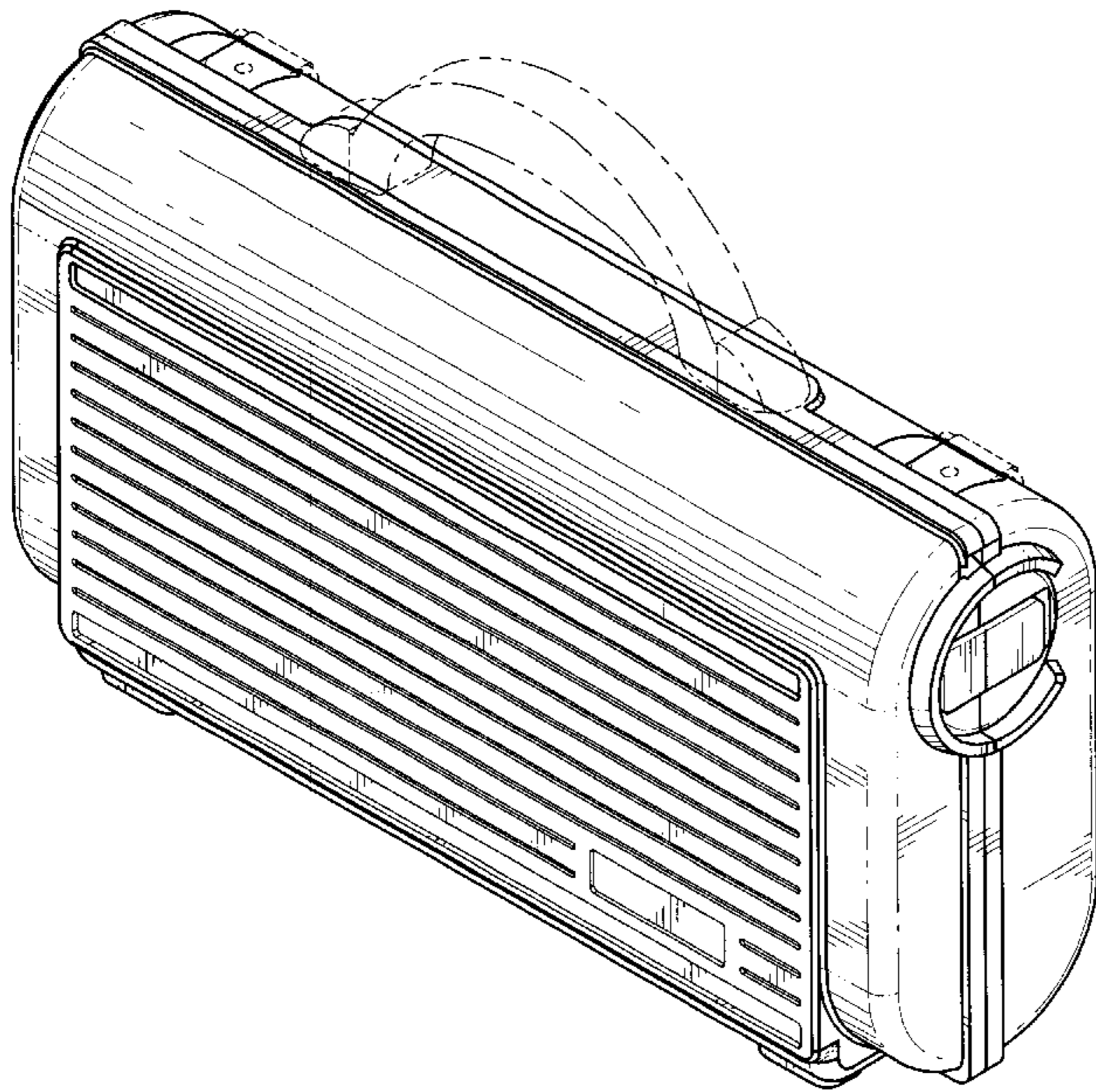
(57) **CLAIM**

What is claimed is the ornamental design for a musical instrument case, as shown and described.

DESCRIPTION

FIG. 1 is a perspective view of a musical instrument case showing my new design;
 FIG. 2 is a front elevational view thereof;
 FIG. 3 is a rear elevational view thereof;
 FIG. 4 is a top plan view thereof;
 FIG. 5 is a bottom plan view thereof; and,
 FIG. 6 is a right side view thereof, the left side view is not shown as it is a mirror image of the right side view.
 The broken lines showing a handle and strap-fasteners, illustrate portions of the design that form no part of the claim.

1 Claim, 3 Drawing Sheets



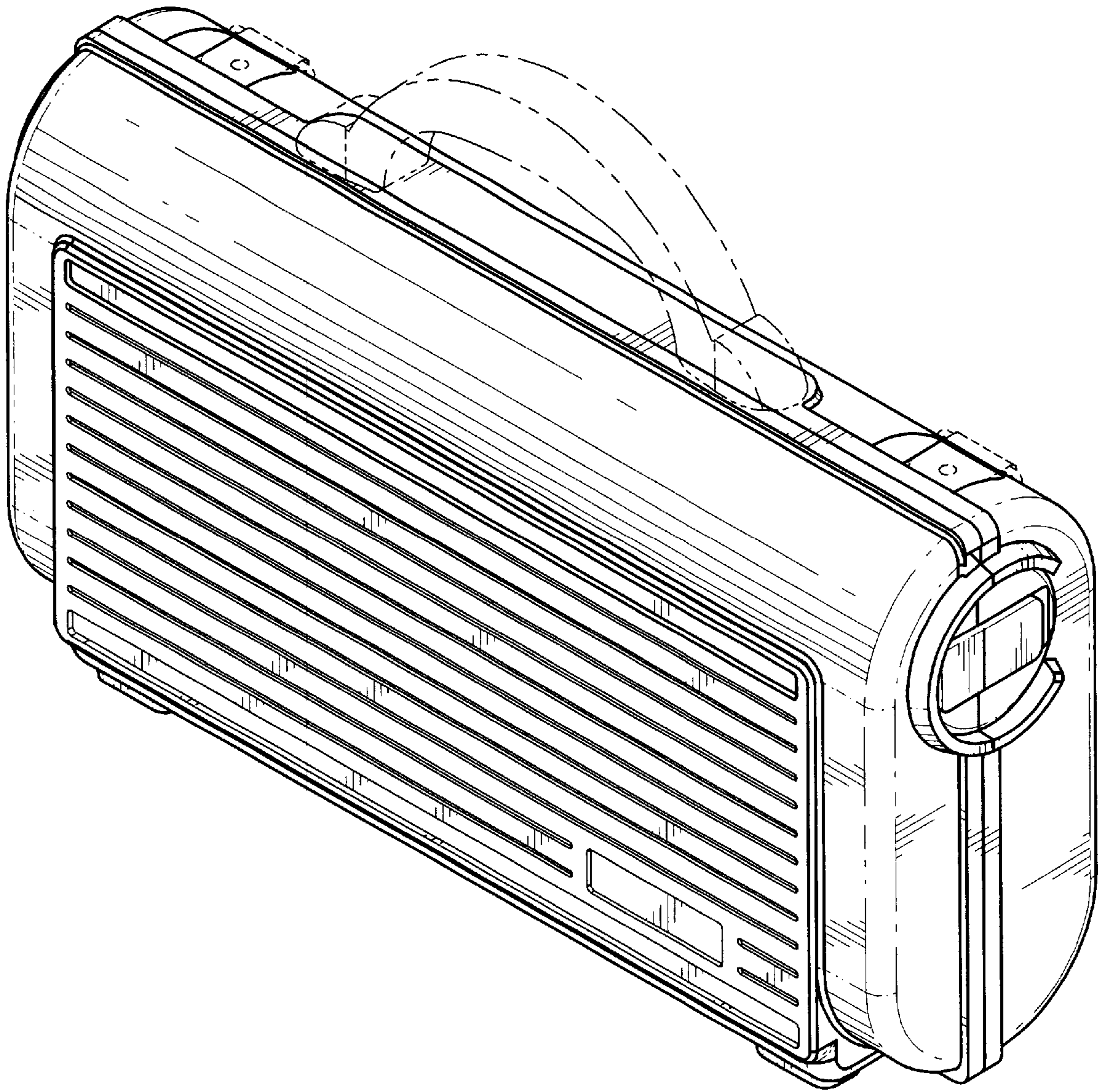


FIG. 1

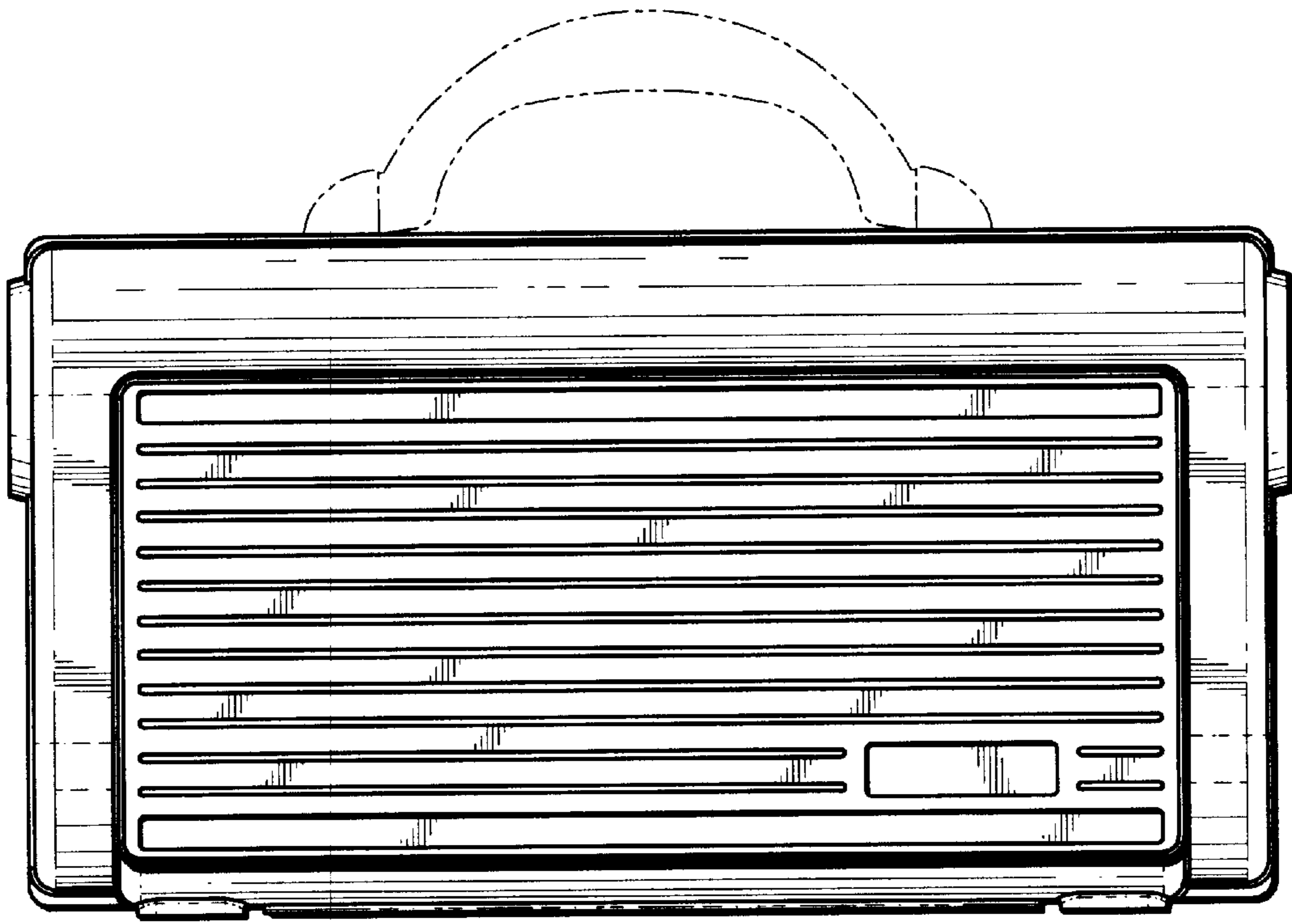


FIG. 2

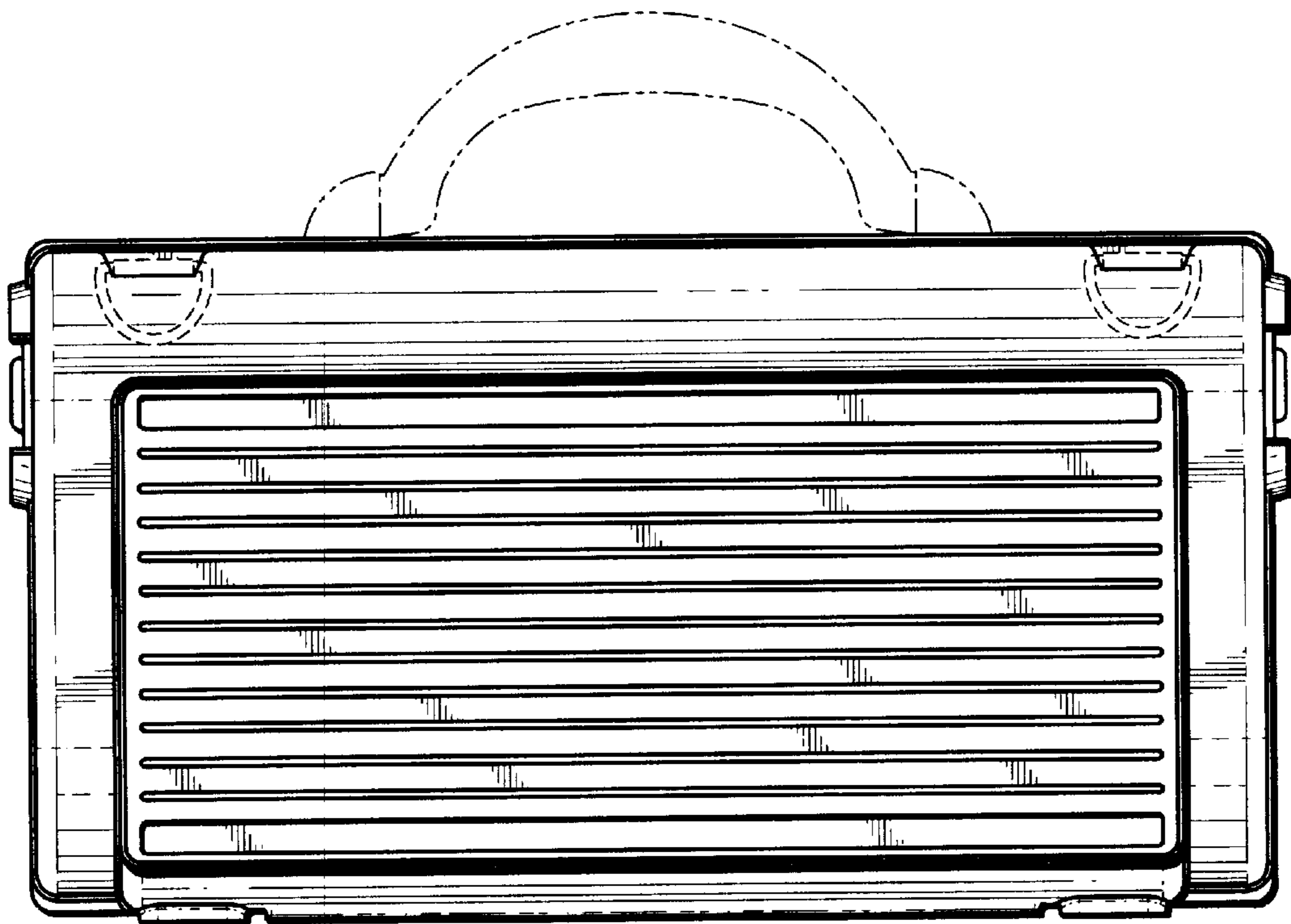


FIG. 3

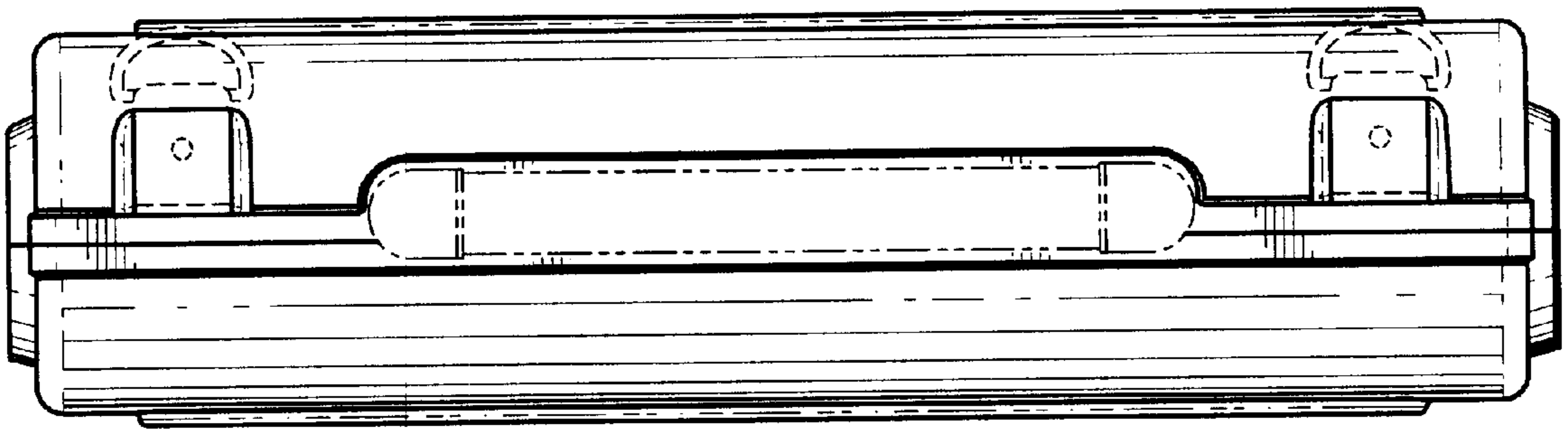


FIG. 4

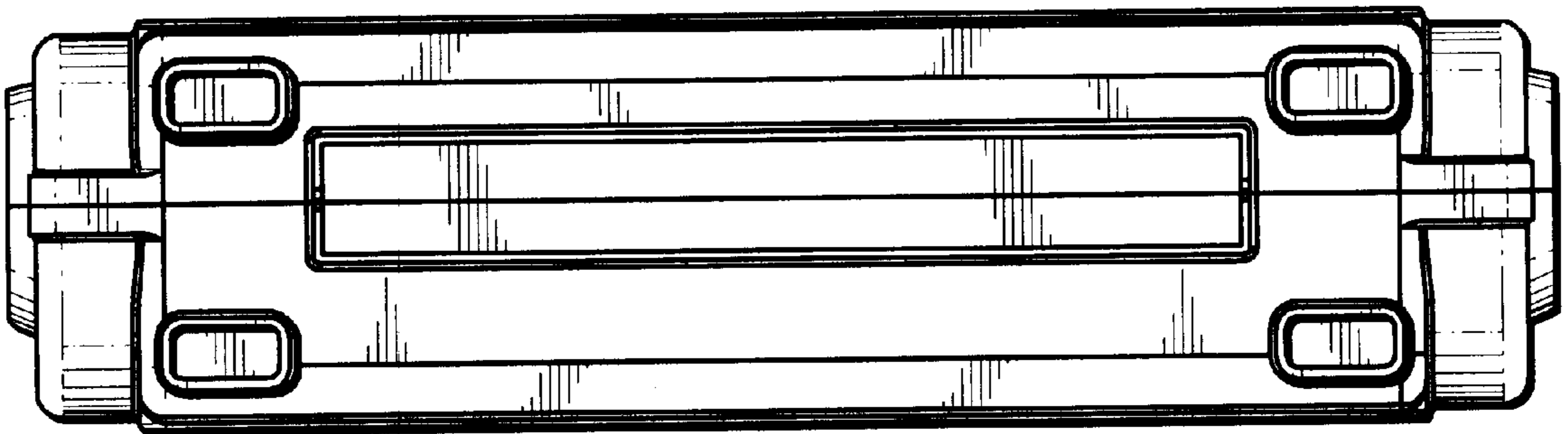


FIG. 5

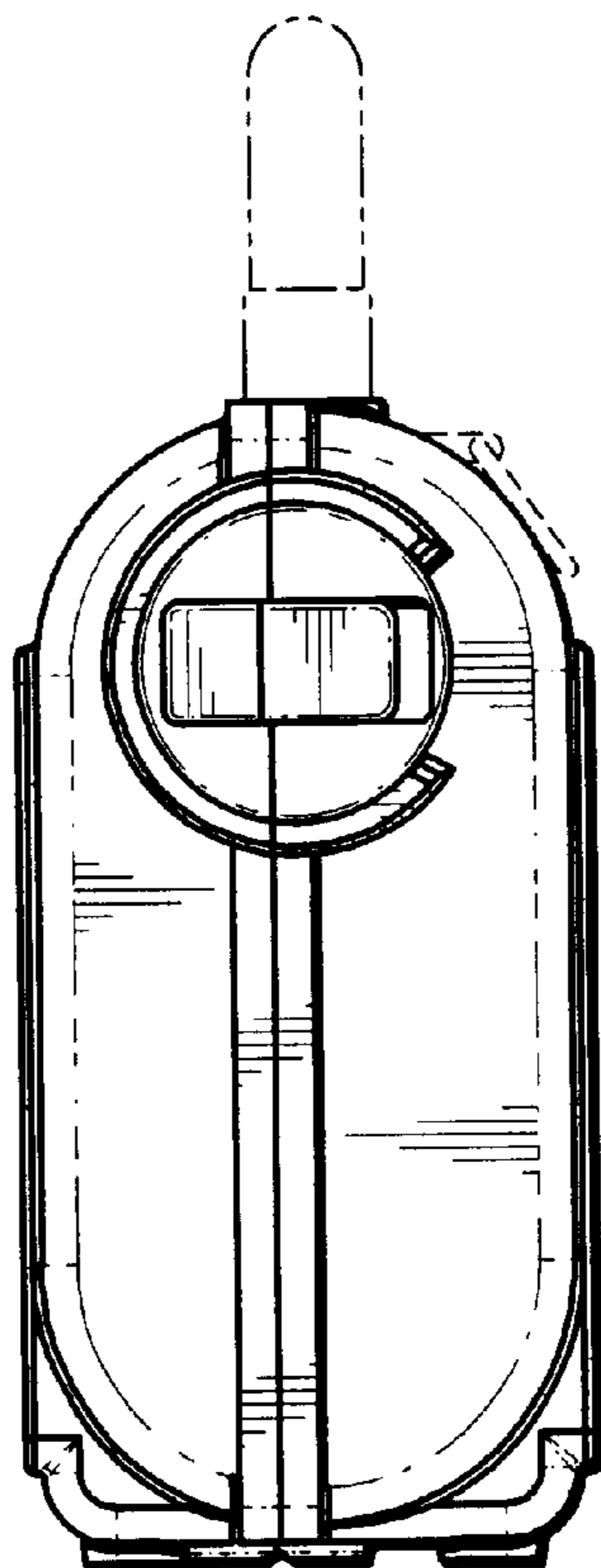


FIG. 6