



US00D484667S

(12) **United States Design Patent**
Van Landingham, Jr.

(10) **Patent No.:** **US D484,667 S**

(45) **Date of Patent:** **** Dec. 30, 2003**

(54) **DOOR**

(75) **Inventor:** **Alfred Reneau Van Landingham, Jr.,**
Stephens City, VA (US)

(73) **Assignee:** **Rubbermaid Commercial Products**
LLC, Winchester, VA (US)

(**) **Term:** **14 Years**

(21) **Appl. No.:** **29/175,563**

(22) **Filed:** **Feb. 7, 2003**

(51) **LOC (7) Cl.** **12-02**

(52) **U.S. Cl.** **D34/27; D6/492; D6/466**

(58) **Field of Search** **D34/12-27; D6/433,**
D6/440, 445, 466, 491, 492, 510

(56) **References Cited**

U.S. PATENT DOCUMENTS

D417,099 S	*	11/1999	Johnson, Jr.	D6/492
D422,807 S	*	4/2000	Tisbo et al.	D6/440
D457,704 S	*	5/2002	Fiscus et al.	D34/20
D457,754 S	*	5/2002	Fiscus et al.	D6/466
D459,618 S	*	7/2002	Winter et al.	D6/470

OTHER PUBLICATIONS

Rubbermaid Commercial Products—Material Handling,
<http://www.rubbermaidcommercial.com/user/pages/products.jsp?subSubCatID=1943610107&subCatID=144>.

Rubbermaid Commercial Products—Material Handling,
<http://www.rubbermaidcommercial.com/user/pages/products.jsp?rcpno=4520>.

* cited by examiner

Primary Examiner—Kay H. Chin

(74) *Attorney, Agent, or Firm*—Foley & Lardner

(57) **CLAIM**

The ornamental design for a door, as shown and described.

DESCRIPTION

FIG. 1 is a frontal perspective view of an embodiment of a door according to my new design, the door being shown on a maintenance cart shown in broken lines;

FIG. 2 is a front elevation view of the door shown in FIG. 1;

FIG. 3 is a rear elevation view of the door shown in FIG. 1;

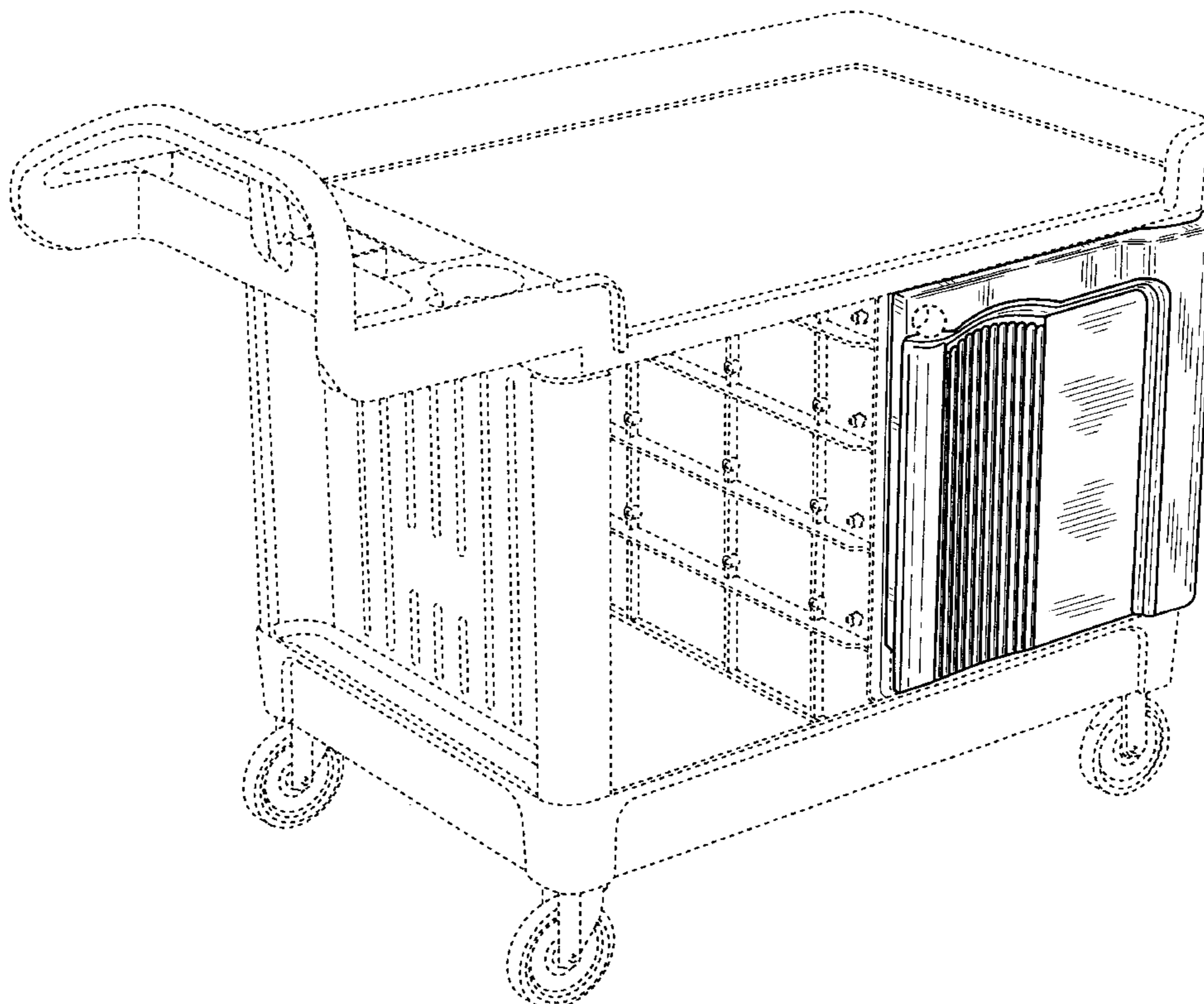
FIG. 4 is a left side elevation view of the door shown in FIG. 1;

FIG. 5 is a right side elevation view of the door shown in FIG. 1;

FIG. 6 is a top plan view of the door shown in FIG. 1; and, FIG. 7 is a bottom plan view of the drawer shown in FIG. 1.

The ornamental design which is claimed is shown in solid lines in the drawings. Any broken lines in the drawings are for illustrative purposes only and form no part of the claimed design.

1 Claim, 5 Drawing Sheets



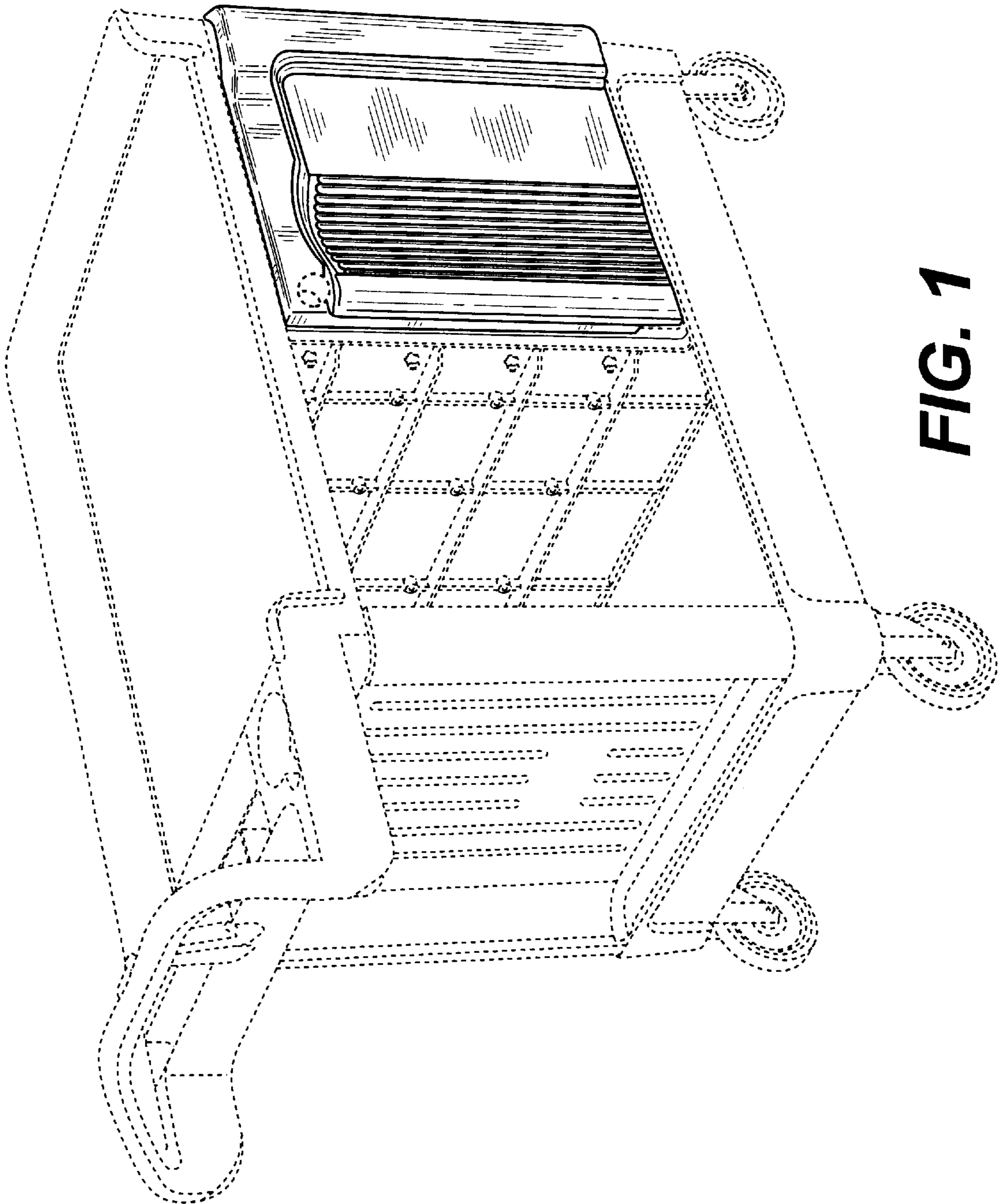


FIG. 1

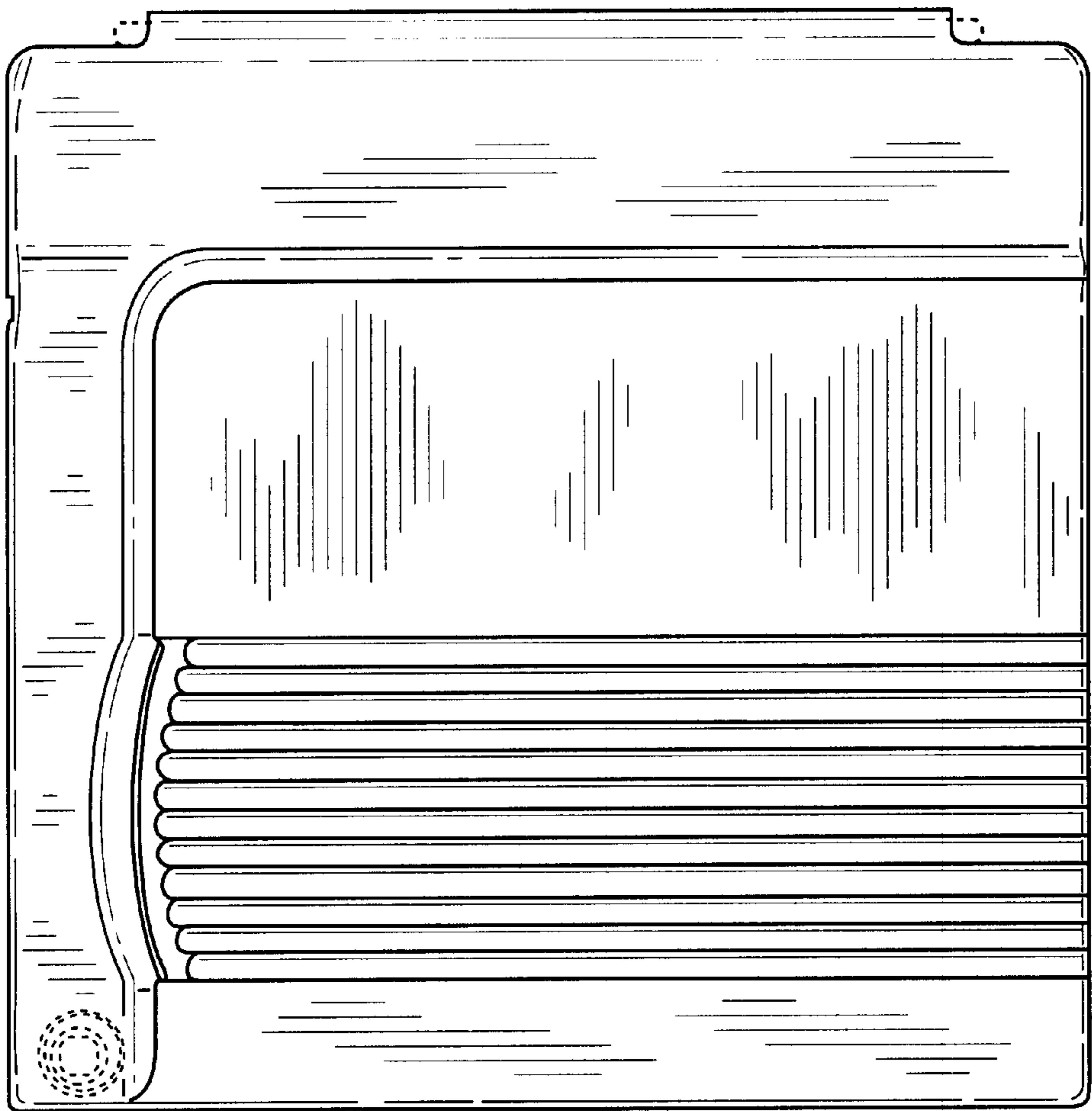


FIG. 2

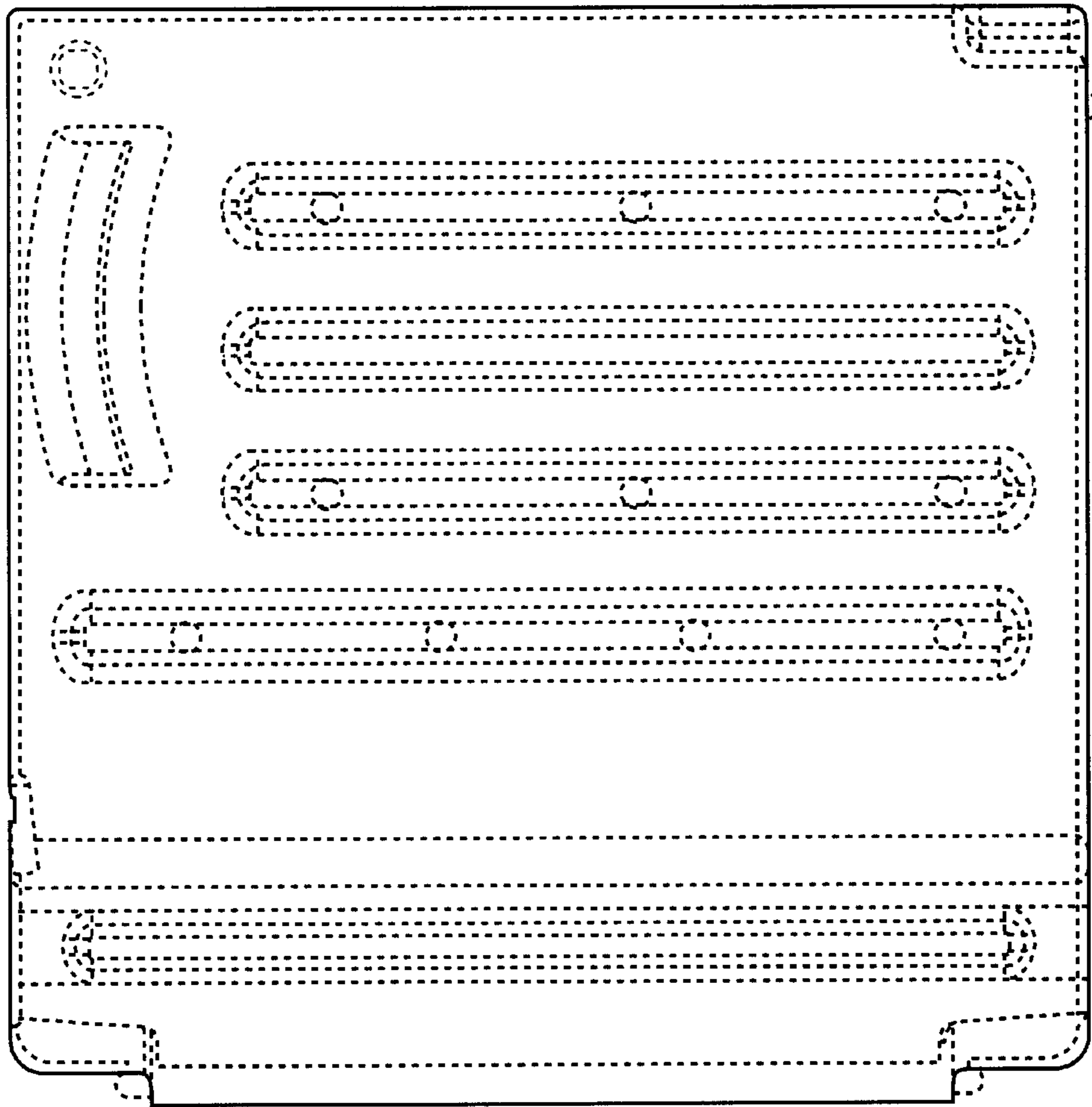


FIG. 3

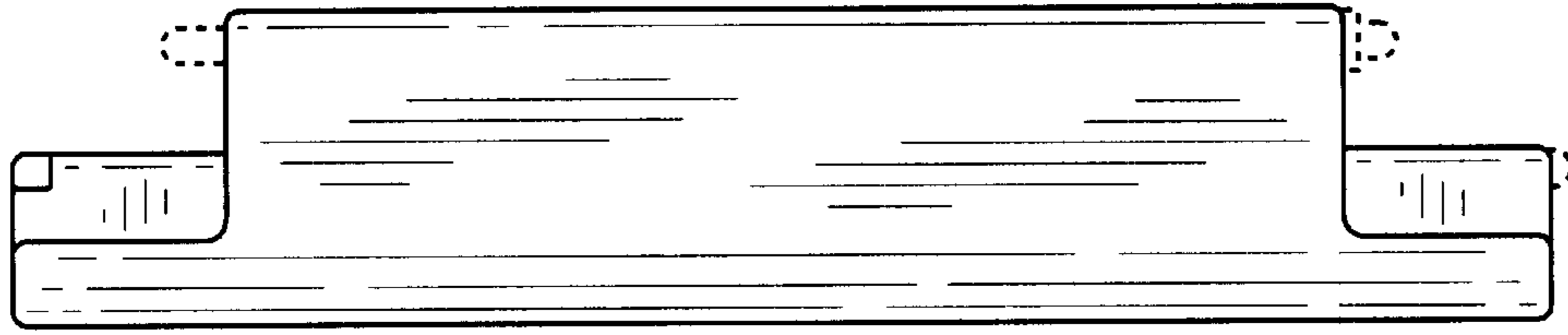


FIG. 5

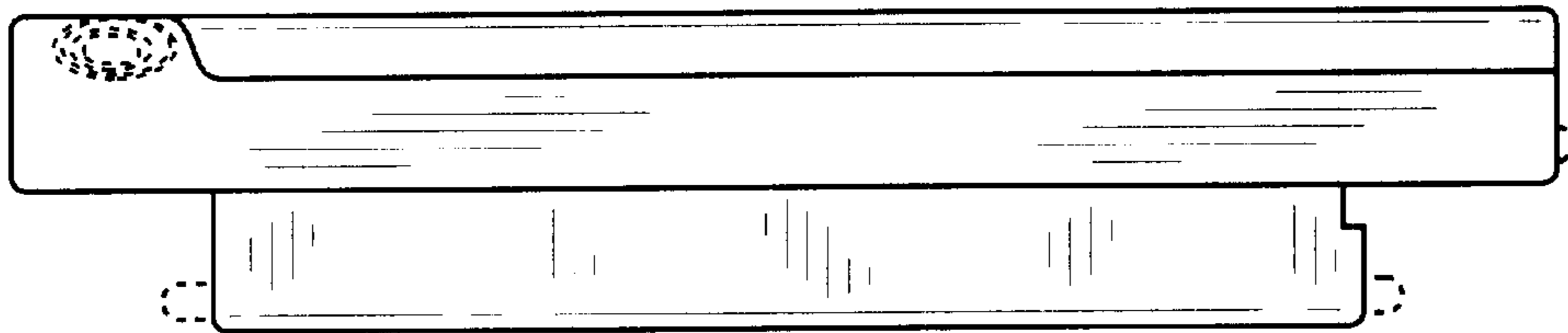


FIG. 4

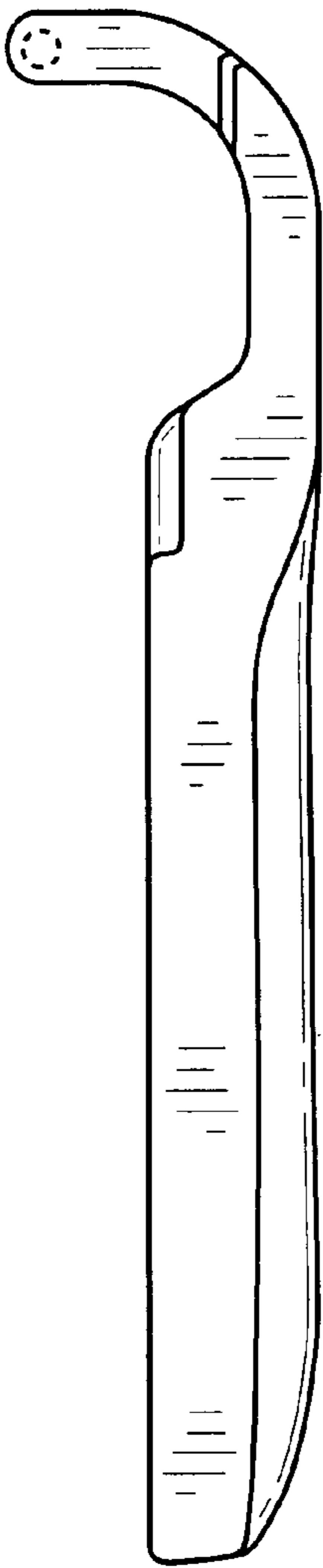


FIG. 6

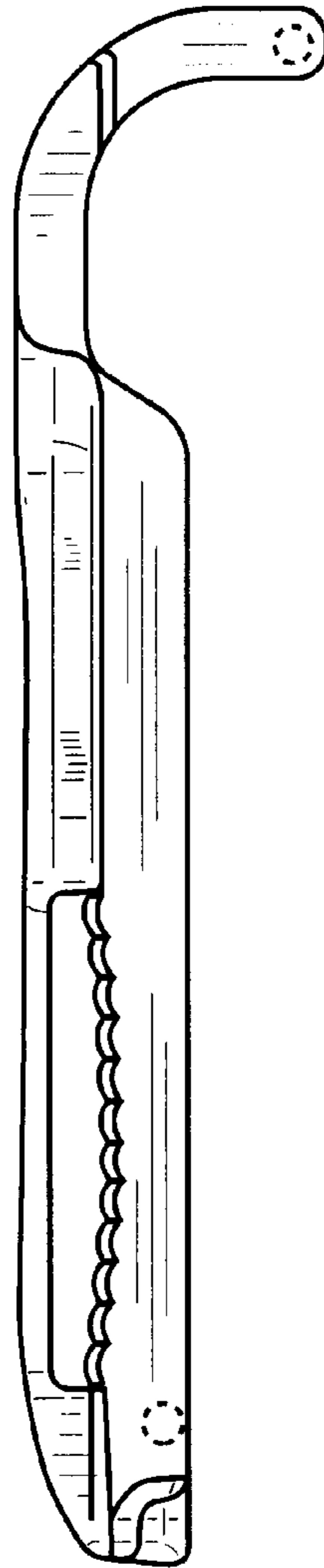


FIG. 7