



US00D484666S

(12) **United States Design Patent**
Caya

(10) **Patent No.:** **US D484,666 S**

(45) **Date of Patent:** **** Dec. 30, 2003**

(54) **TWO-PART ATTACHMENT FOR SHOPPING CART FOR HANDLING CONDUIT AND OTHER ELONGATE ITEMS**

5,553,876 A * 9/1996 Trubiano 280/33.991
D396,923 S * 8/1998 Moore D34/24
5,836,332 A 11/1998 Mick
D451,054 S * 11/2001 Thom et al. D12/133

(76) **Inventor:** **Philip N. Caya**, 2413 Denure Drive,
Peterborough, Ontario (CA)

* cited by examiner

(**) **Term:** **14 Years**

Primary Examiner—Kay H. Chin

(74) *Attorney, Agent, or Firm*—Donald R. Schoonover

(21) **Appl. No.:** **29/171,984**

(57) **CLAIM**

(22) **Filed:** **Dec. 5, 2002**

I claim the ornamental design for a two-part attachment for shopping cart for handling conduit and other elongate items, as shown and described.

(51) **LOC (7) Cl.** **12-02**

(52) **U.S. Cl.** **D34/27; D3/304**

(58) **Field of Search** D34/27; D12/133;
224/407, 411, 409; 280/33.991, 33.992,
33.993; D3/304, 328

DESCRIPTION

(56) **References Cited**

U.S. PATENT DOCUMENTS

4,204,695 A	5/1980	Salzman	
4,274,567 A	6/1981	Sawyer	
4,376,502 A	* 3/1983	Cohen 224/411
4,441,734 A	4/1984	Schlissel	
4,560,096 A	12/1985	Lucas et al.	
4,809,996 A	3/1989	Freyman	
4,966,318 A	10/1990	Dutka	
5,294,009 A	3/1994	Maurer et al.	
5,362,077 A	* 11/1994	Adamson 280/33.992
5,388,854 A	2/1995	Kappaz	

FIG. 1 is a perspective view of a two-part attachment for shopping cart for handling conduit and other elongate items showing my new design;

FIG. 2 is a front elevational view thereof;

FIG. 3 is a rear elevational view thereof;

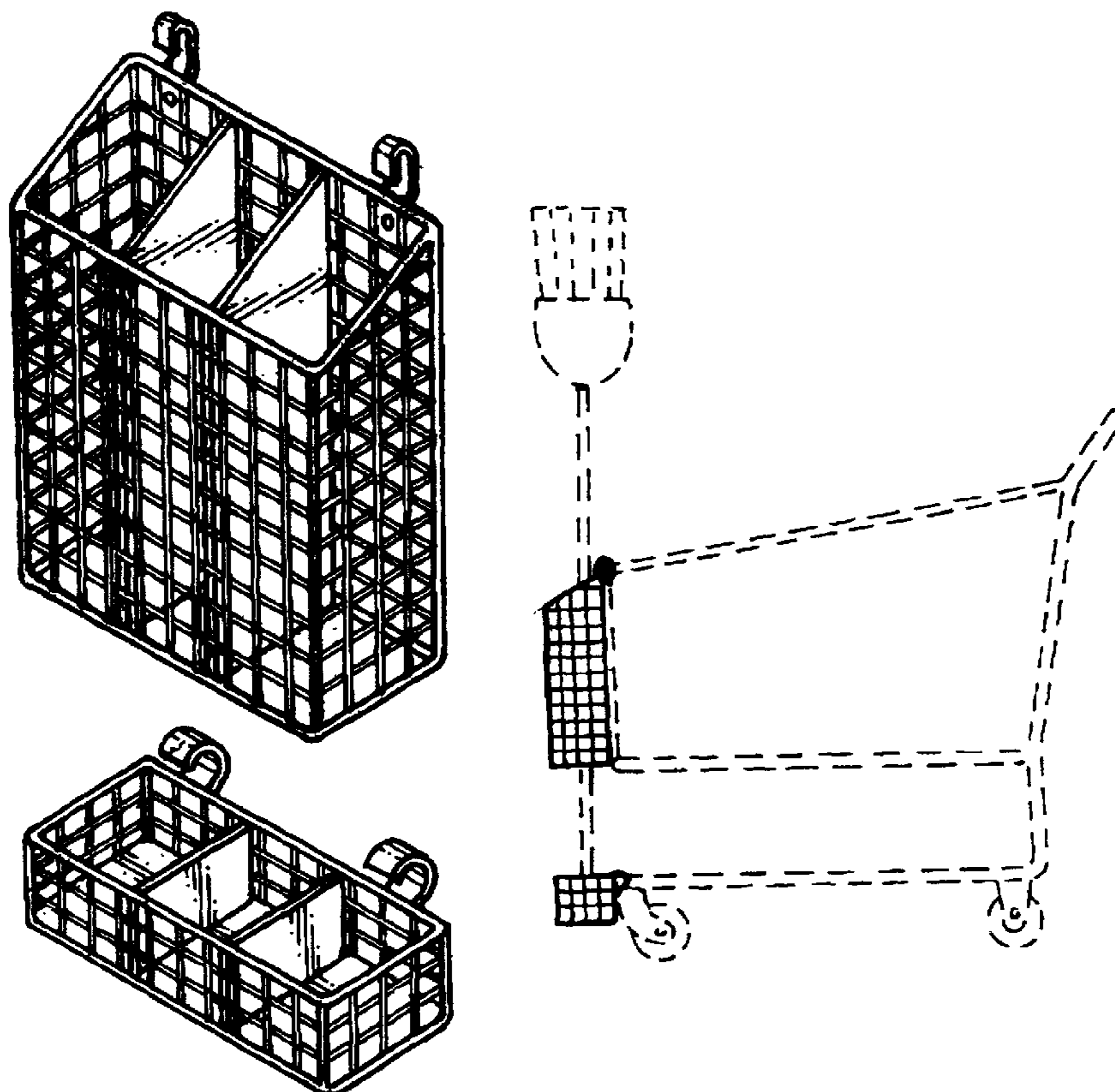
FIG. 4 is a left side elevational view thereof, the right side elevational view being a mirror image thereof;

FIG. 5 is a top plan view thereof;

FIG. 6 is a bottom plan view thereof; and,

FIG. 7 is a left side elevational view showing the two-part attachment for shopping cart for handling conduit and other elongate items in use; the broken lines depict environmental structure and form no part of the claimed design.

1 Claim, 3 Drawing Sheets



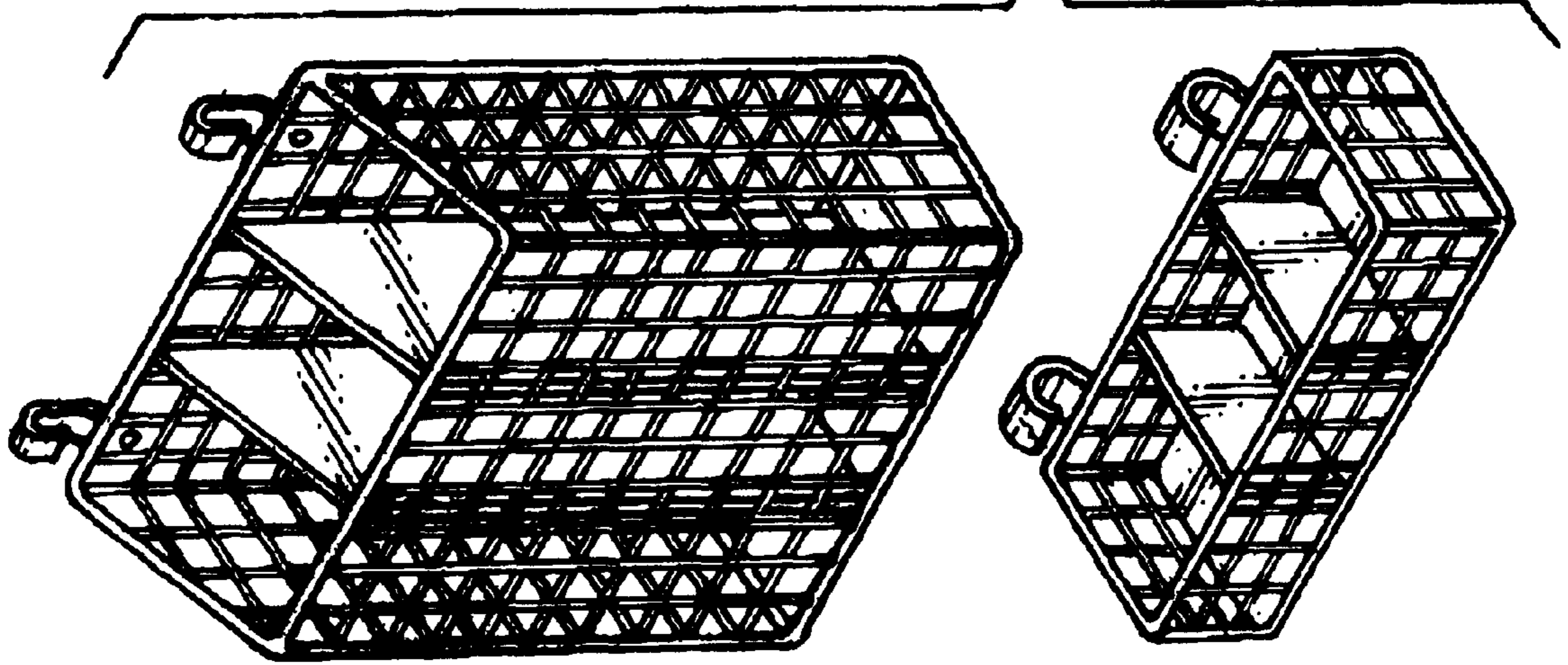


FIG. 1.

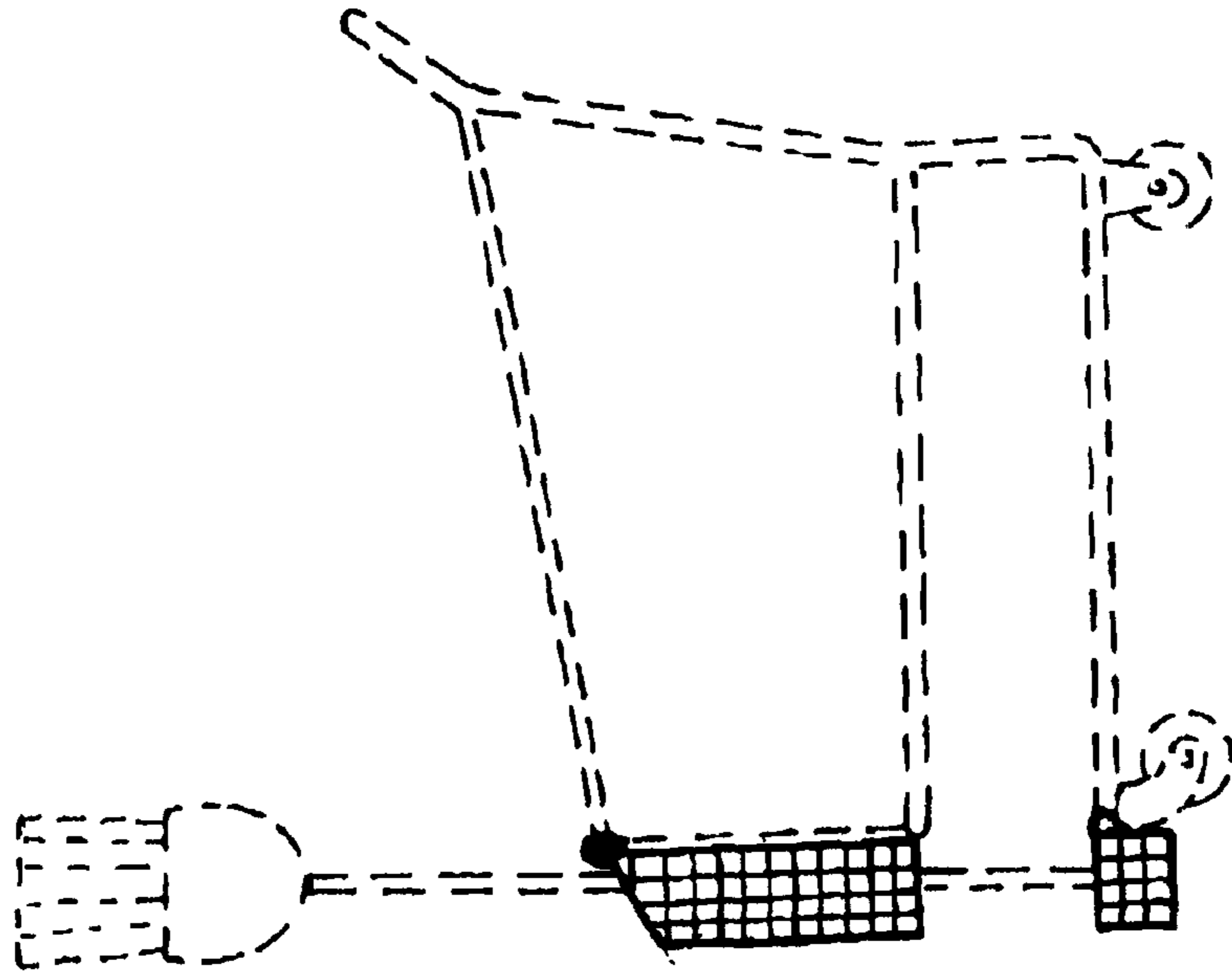
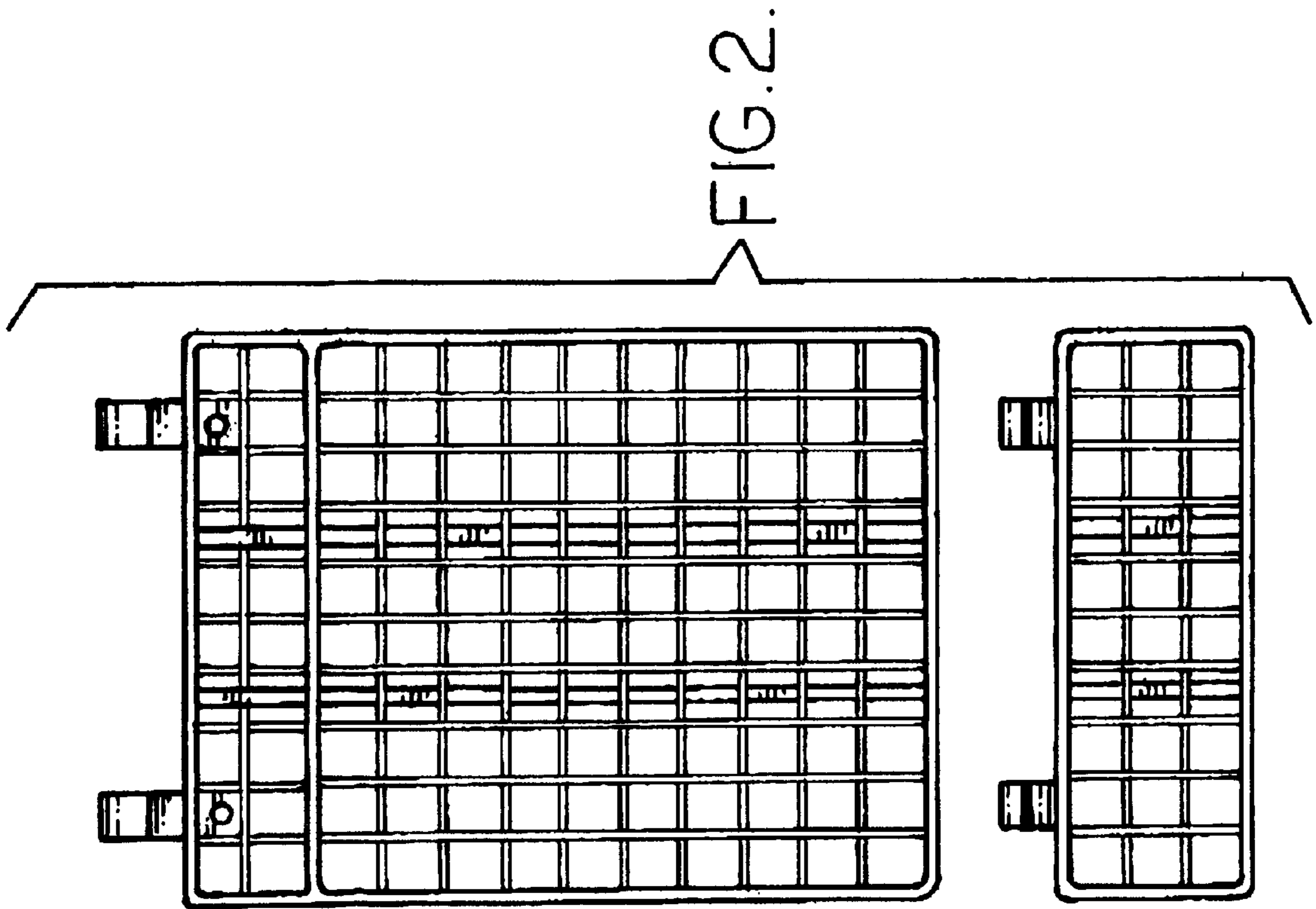
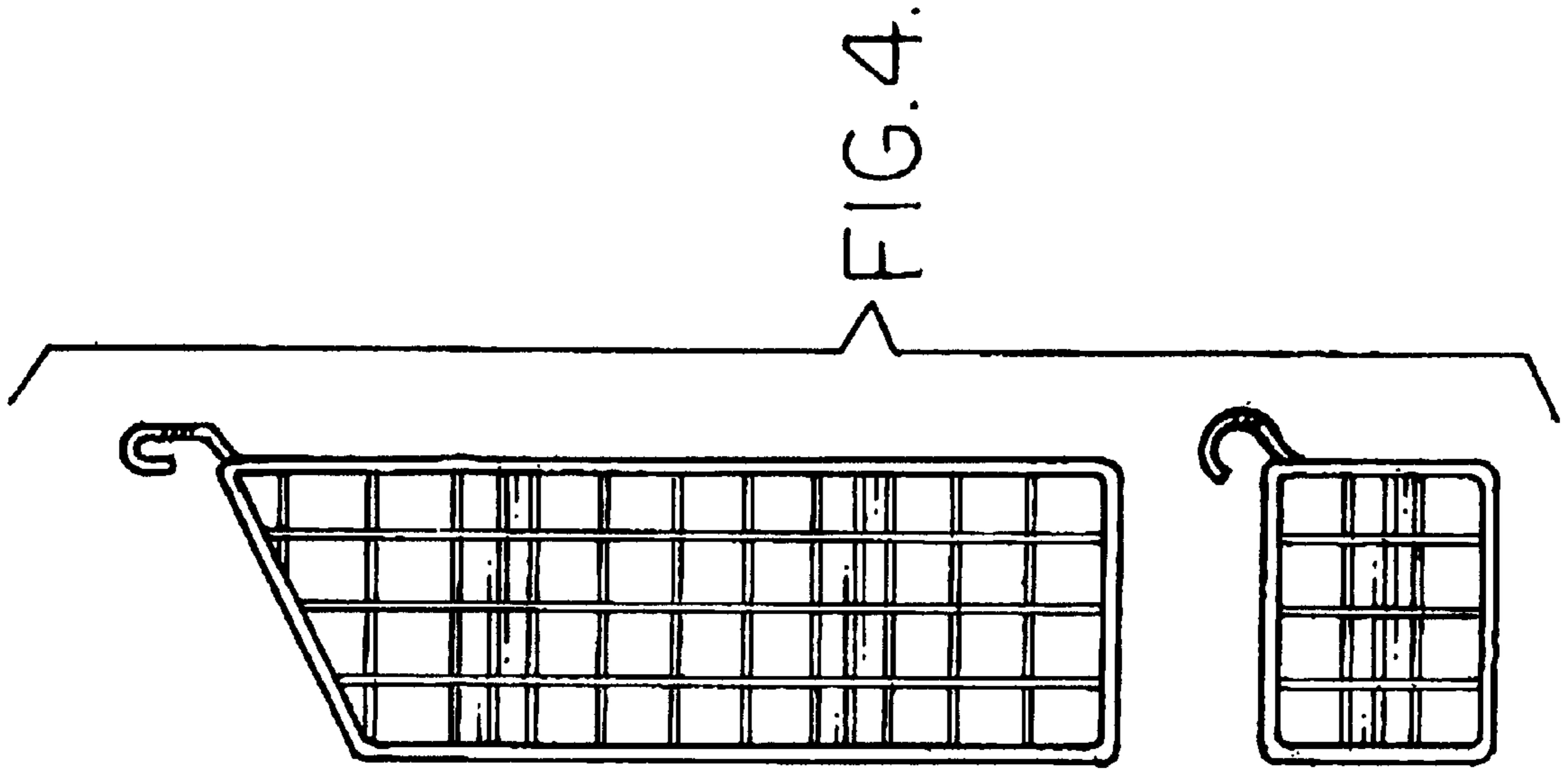


FIG. 7.



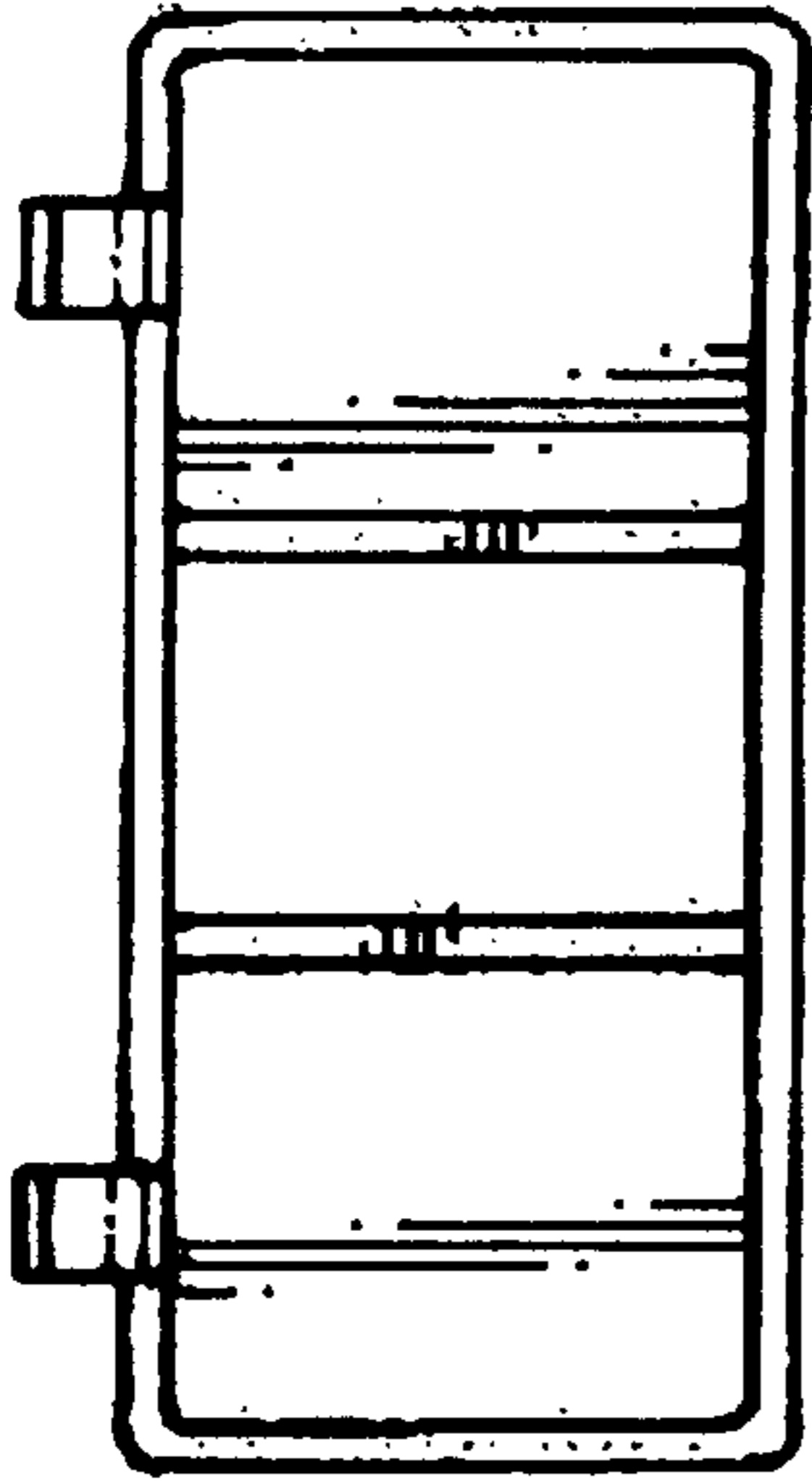


FIG. 5.

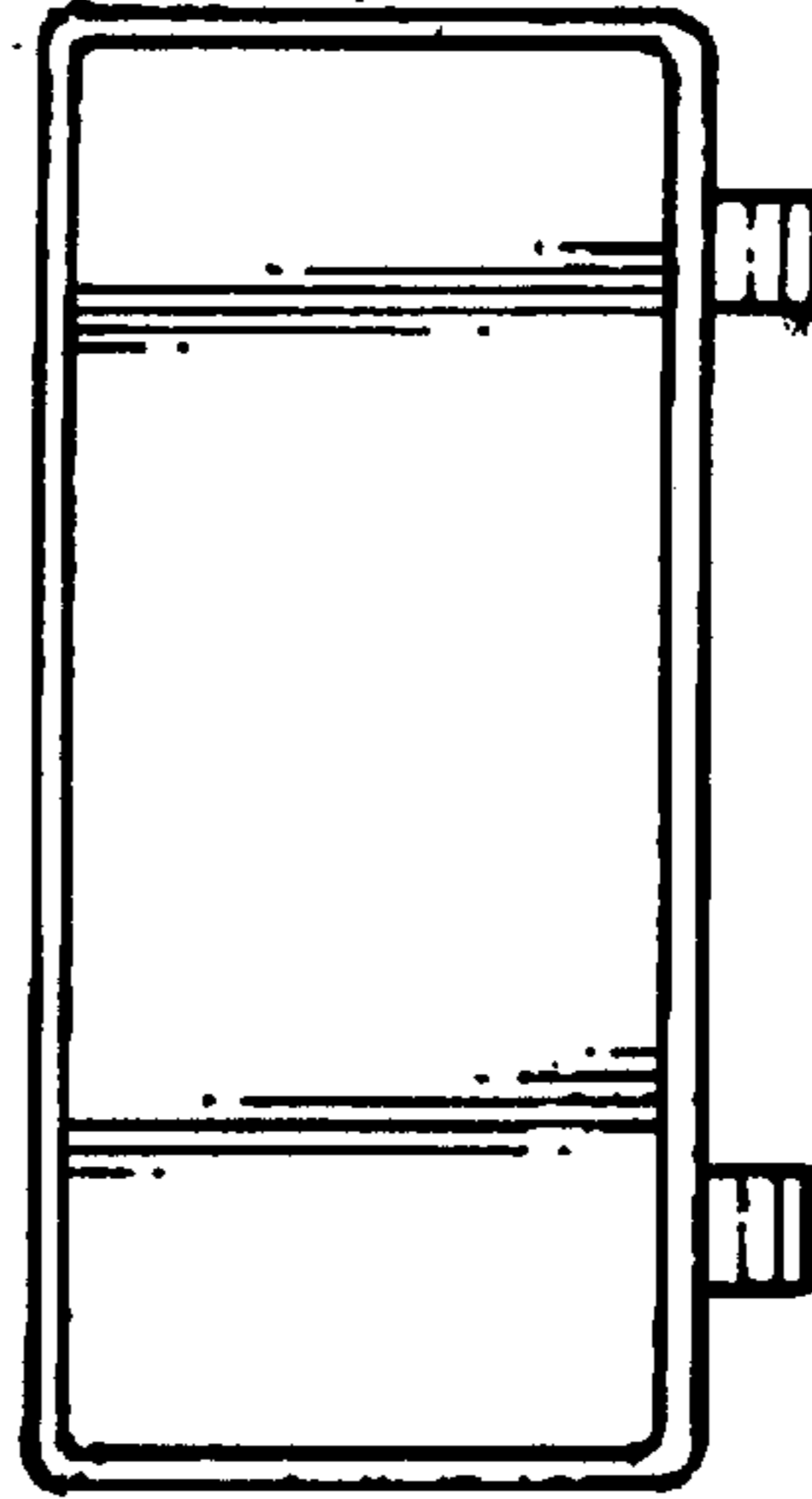


FIG. 6.

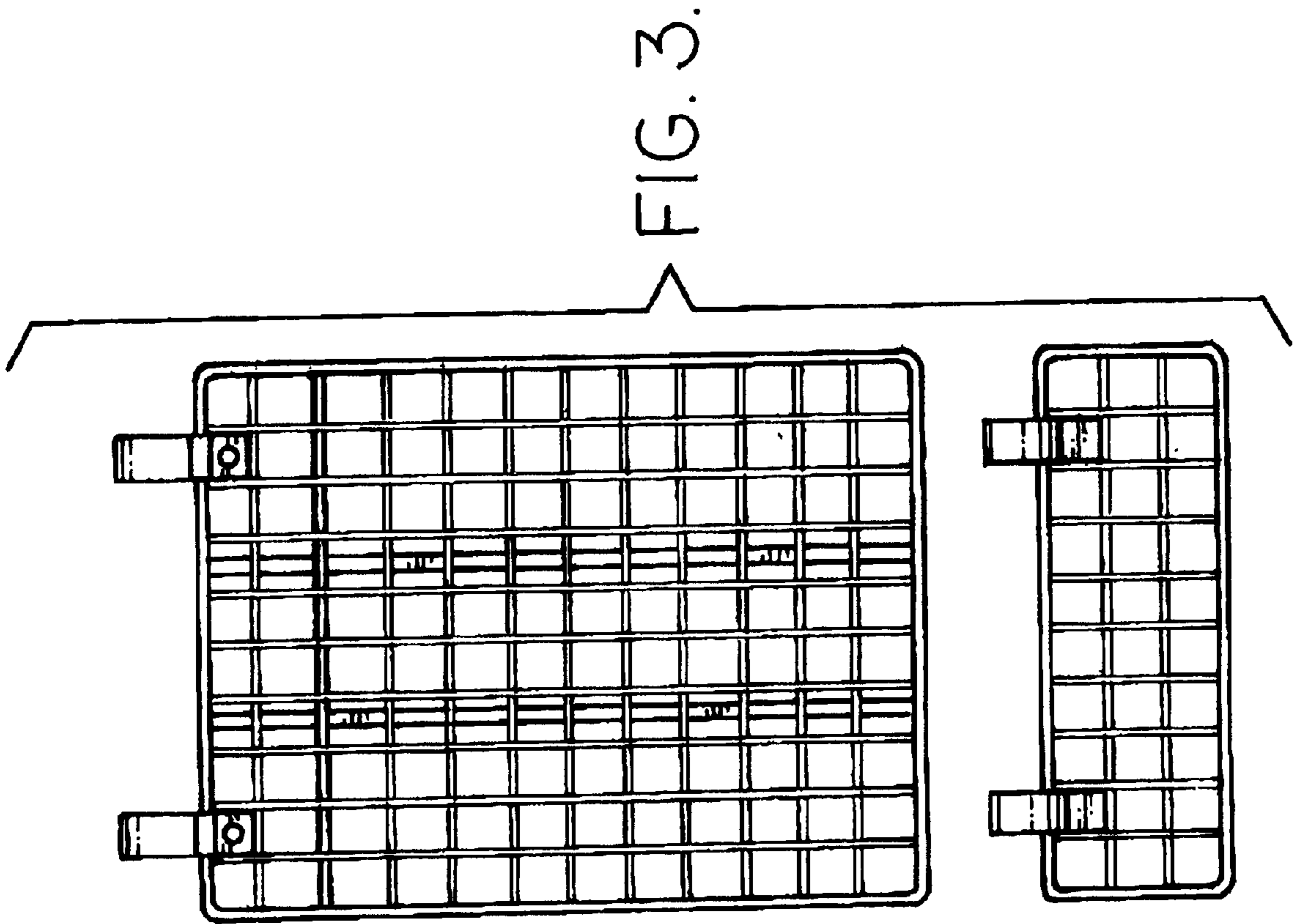


FIG. 3.