



US00D484664S

(12) **United States Design Patent**
Arceta

(10) **Patent No.: US D484,664 S**

(45) **Date of Patent: ** Dec. 30, 2003**

(54) **WORK SURFACE**

(75) Inventor: **Radmond Arceta**, Winchester, VA (US)

(73) Assignee: **Rubbermaid Commercial Products, LLC**, Winchester, VA (US)

(**) Term: **14 Years**

(21) Appl. No.: **29/167,680**

(22) Filed: **Sep. 20, 2002**

(51) **LOC (7) Cl. 12-02**

(52) **U.S. Cl. D34/27**

(58) **Field of Search 280/12-27, 33.992, 280/33.991, 33.993; 224/277; 40/308; 248/456**

- 4,274,567 A 6/1981 Sawyer
- 4,376,502 A 3/1983 Cohen
- 4,450,994 A 5/1984 Holland
- 4,493,492 A 1/1985 Balabanovan
- 4,505,495 A 3/1985 Foss et al.
- D284,610 S 7/1986 Harris et al.
- 4,643,280 A 2/1987 Hensley
- 4,702,402 A 10/1987 Ferri
- 4,765,077 A 8/1988 Rosenthal et al.
- 4,773,175 A 9/1988 Larsen
- 4,848,117 A 7/1989 Welborn et al.

(List continued on next page.)

Primary Examiner—Kay H. Chin

(74) *Attorney, Agent, or Firm*—Foley & Lardner

(57) **CLAIM**

The ornamental design for a work surface, as shown and described.

(56) **References Cited**

U.S. PATENT DOCUMENTS

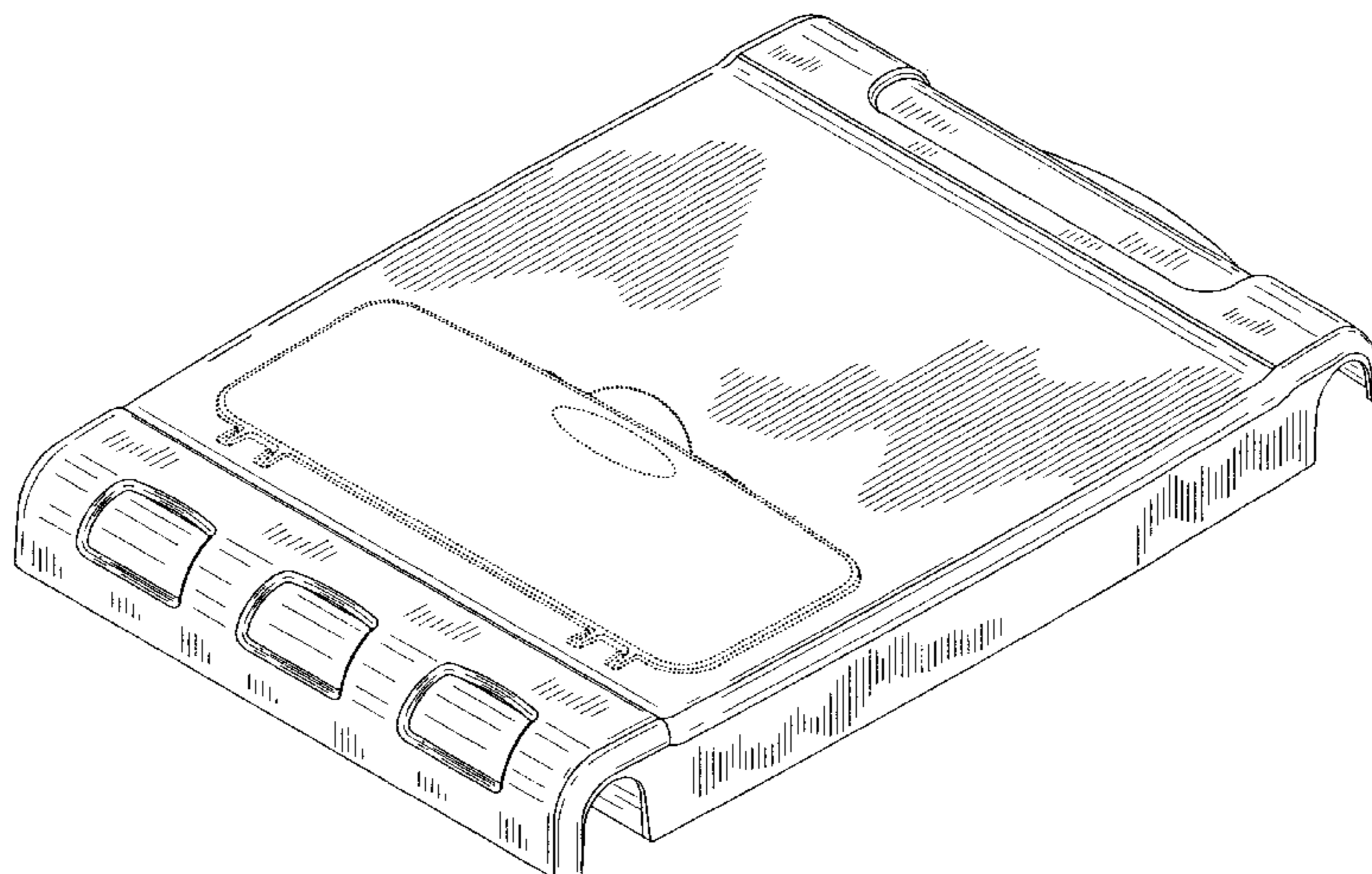
- 465,489 A 12/1891 Nutting
- 612,523 A 10/1898 Martin
- 2,572,780 A 10/1951 Tackenberg
- 2,673,671 A 3/1954 Williams
- 2,723,474 A 11/1955 Minter
- 2,885,090 A 5/1959 Forman et al.
- 2,888,761 A 6/1959 Miller
- 2,953,388 A 9/1960 Keller et al.
- 3,052,484 A 9/1962 Huffman et al.
- D196,693 S 10/1963 Shape
- RE25,616 E 7/1964 Stanley
- 3,218,748 A 11/1965 Hopp
- 3,305,243 A 2/1967 Manfredi, Jr. et al.
- 3,618,329 A 11/1971 Hanson
- 3,702,033 A 11/1972 Coleman
- 3,762,739 A 10/1973 Tabet
- 3,853,329 A 12/1974 McDonald
- 3,856,320 A 12/1974 Blanchard
- 3,879,053 A 4/1975 Chvala
- 3,912,291 A 10/1975 Frisch
- 3,993,319 A 11/1976 Day
- 4,068,855 A 1/1978 Hackett
- 4,077,644 A 3/1978 Roby et al.
- 4,165,088 A 8/1979 Nelson
- 4,166,638 A 9/1979 DePrado
- 4,184,618 A 1/1980 Jones

DESCRIPTION

FIG. 1 is a top front perspective view of a work surface showing my new design;
 FIG. 2 is a left side elevation view thereof;
 FIG. 3 is a right side elevation view thereof;
 FIG. 4 is a rear elevation view thereof;
 FIG. 5 is a front elevation view thereof;
 FIG. 6 is a top plan view thereof;
 FIG. 7 is a bottom plan view thereof;
 FIG. 8 is a top front perspective view thereof with the environmental structure adjusted for clarity;
 FIG. 9 is a left side elevation view of FIG. 8;
 FIG. 10 is a right side elevation view of FIG. 8;
 FIG. 11 is a rear elevation view of FIG. 8;
 FIG. 12 is a front elevation view of FIG. 8;
 FIG. 13 is a top plan view of FIG. 8; and,
 FIG. 14 is a top front perspective view thereof with additional environmental structure.

The ornamental design which is claimed is shown in solid lines in the drawings. The broken lines in the drawings are for illustrative purposes only and form no part of the claimed design.

1 Claim, 12 Drawing Sheets



US D484,664 S

Page 2

U.S. PATENT DOCUMENTS

4,901,901 A	2/1990	Reitenour	5,915,723 A	6/1999	Austin
4,978,013 A	12/1990	Hogg	D412,609 S	8/1999	Karp et al.
4,986,555 A	1/1991	Andreen	D417,763 S	12/1999	Monem
5,048,849 A	9/1991	Matthews	6,024,376 A	2/2000	Golichowski et al.
5,086,960 A	2/1992	Schwietzer	6,036,219 A	3/2000	Oefelein et al.
D326,748 S	6/1992	Kirk	6,042,127 A	3/2000	Rupolo
5,228,716 A	7/1993	Dahl	6,076,791 A	6/2000	Rand et al.
5,249,823 A	10/1993	McCoy et al.	6,095,348 A	8/2000	Karashima
5,326,117 A	7/1994	Cook	6,095,532 A	8/2000	Martin
D352,588 S	11/1994	Orphan	6,135,423 A	10/2000	Johnson
D352,589 S	11/1994	Kennedy	6,206,385 B1	3/2001	Kern et al.
5,409,245 A	4/1995	Kern et al.	6,213,483 B1	4/2001	Gaffney
5,476,282 A	12/1995	Dahl	6,364,328 B1	4/2002	Stahler, Sr.
5,494,308 A	2/1996	Southerland	6,378,232 B1	4/2002	Creech
5,536,034 A	7/1996	Miller	6,394,470 B1	5/2002	Shirai
5,547,205 A	8/1996	do Rosario Sousa de Cabedo	6,453,588 B1 *	9/2002	Lykens 40/308
5,548,911 A	8/1996	Myers	2002/0020989 A1	2/2002	Krawczyk
5,556,118 A	9/1996	Kern et al.	2002/0030337 A1	3/2002	Calmeise et al.
5,599,031 A	2/1997	Hodges	2002/0079660 A1	6/2002	Shirai
5,772,236 A	6/1998	Clark	2002/0083628 A1	7/2002	Magid
5,794,953 A	8/1998	Duchene et al.	2002/0117819 A1	8/2002	Calmeise et al.
5,887,879 A	3/1999	Chumley	2002/0124445 A1	9/2002	Myers
5,901,482 A	5/1999	Sawyer	2002/0153706 A1	10/2002	Yonge et al.
5,913,528 A	6/1999	Kresse et al.			

* cited by examiner

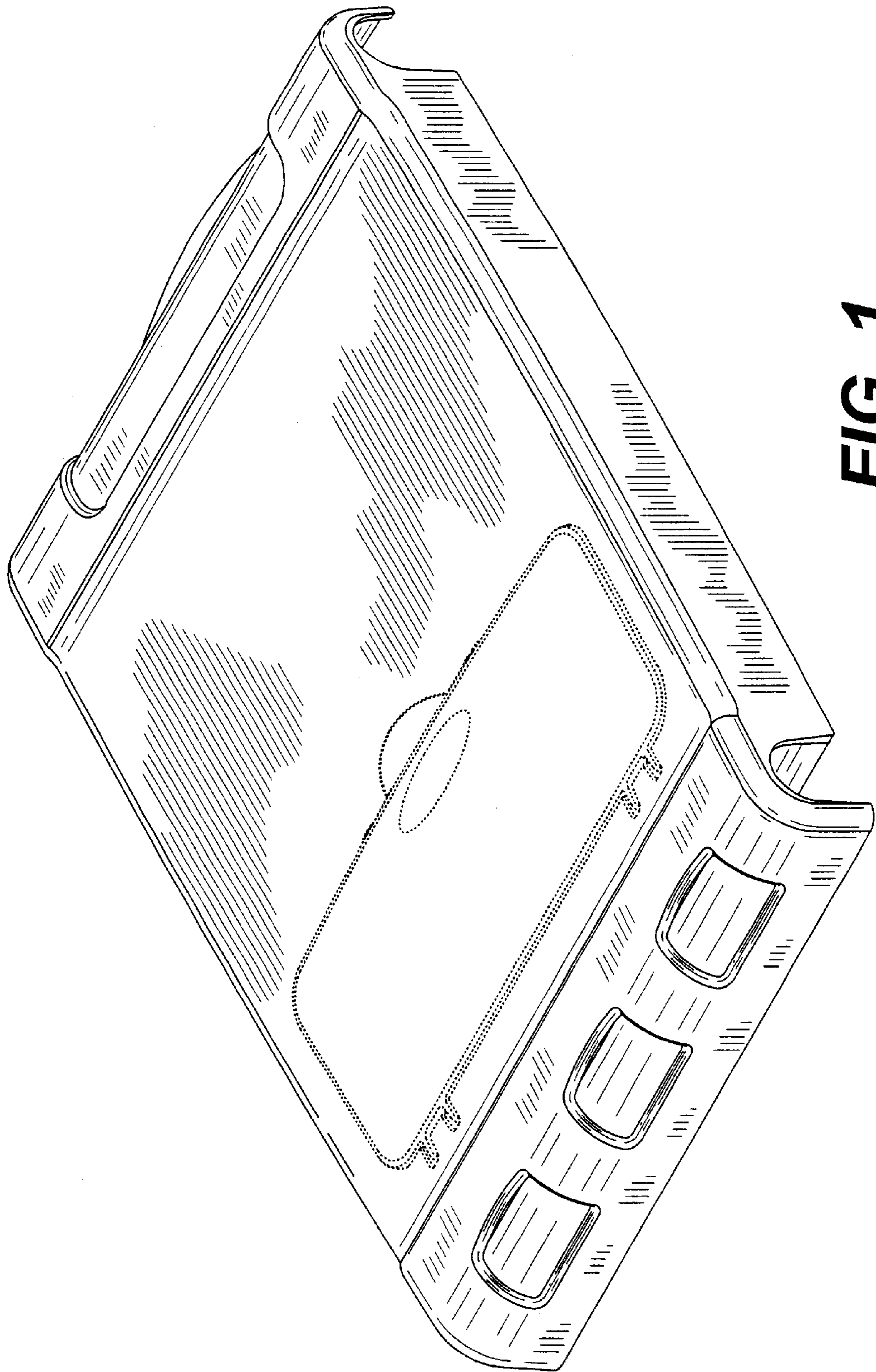


FIG. 1

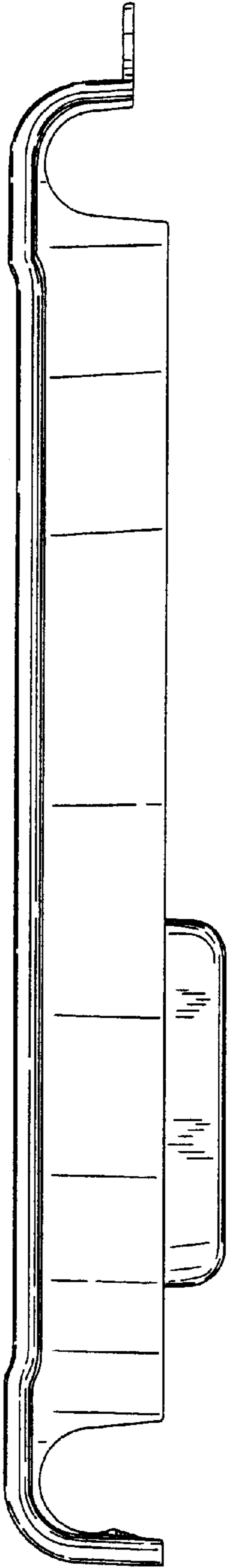


FIG. 2

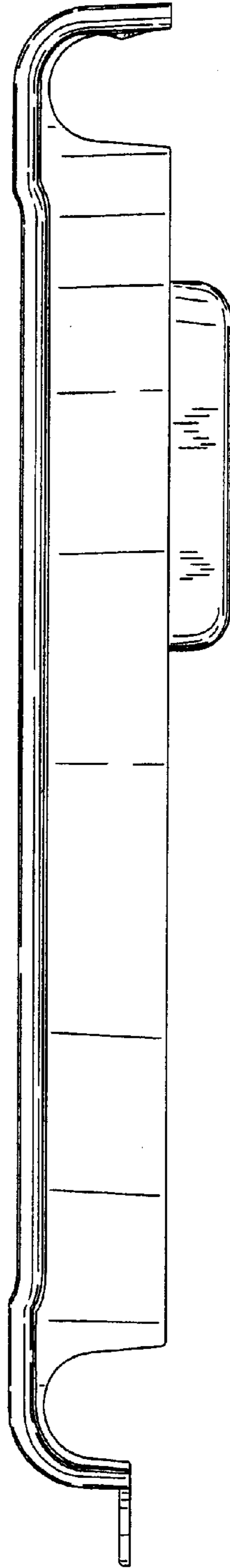


FIG. 3

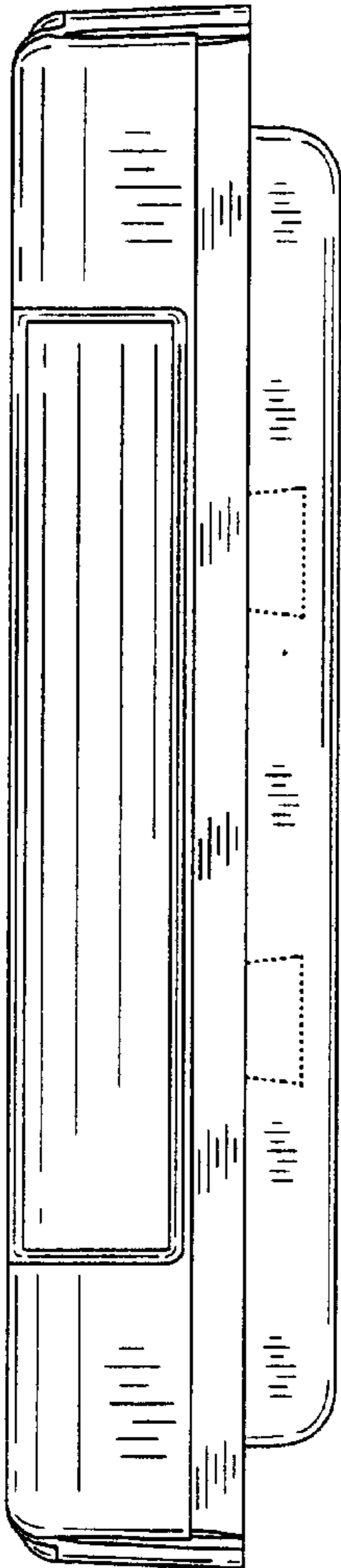


FIG. 4

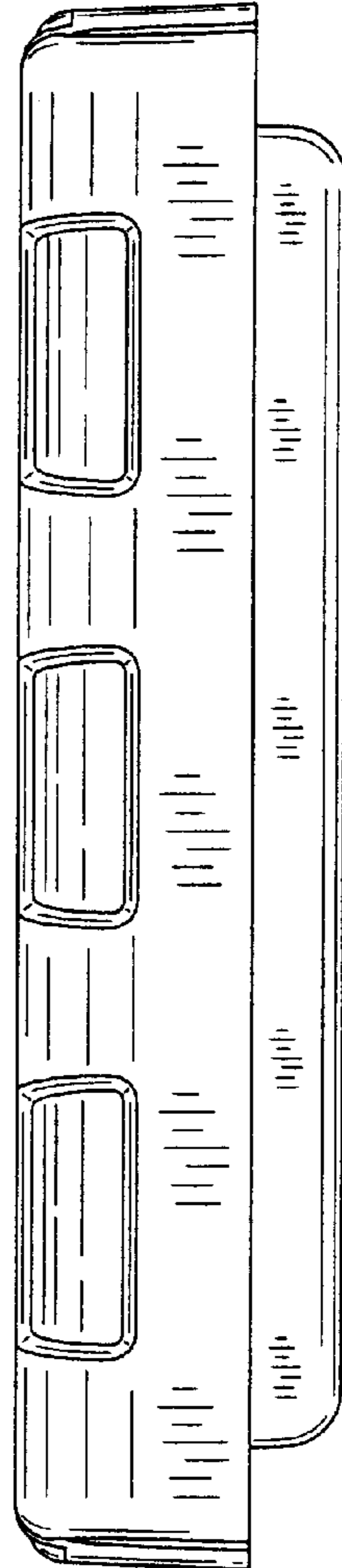


FIG. 5

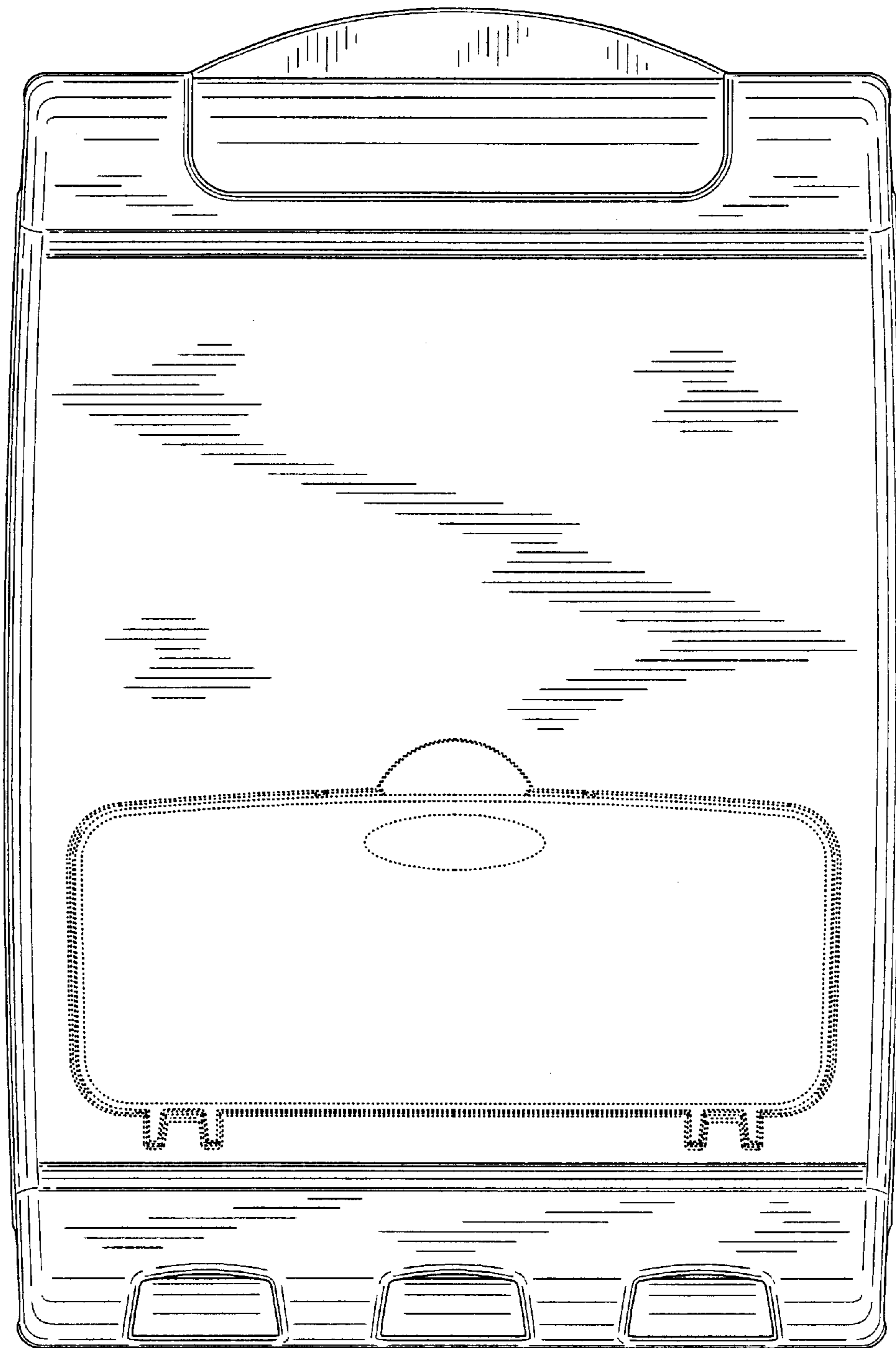


FIG. 6

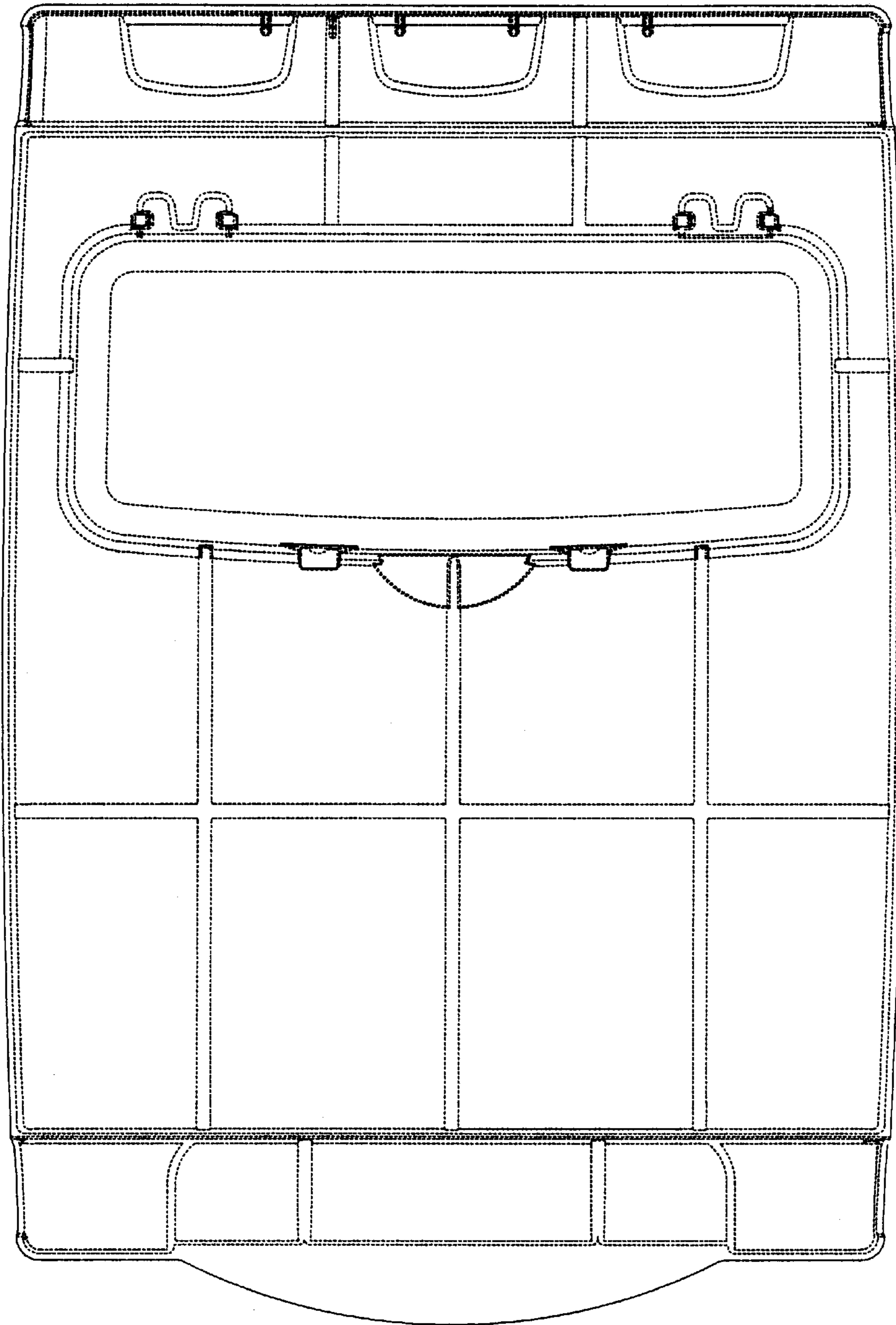


FIG. 7

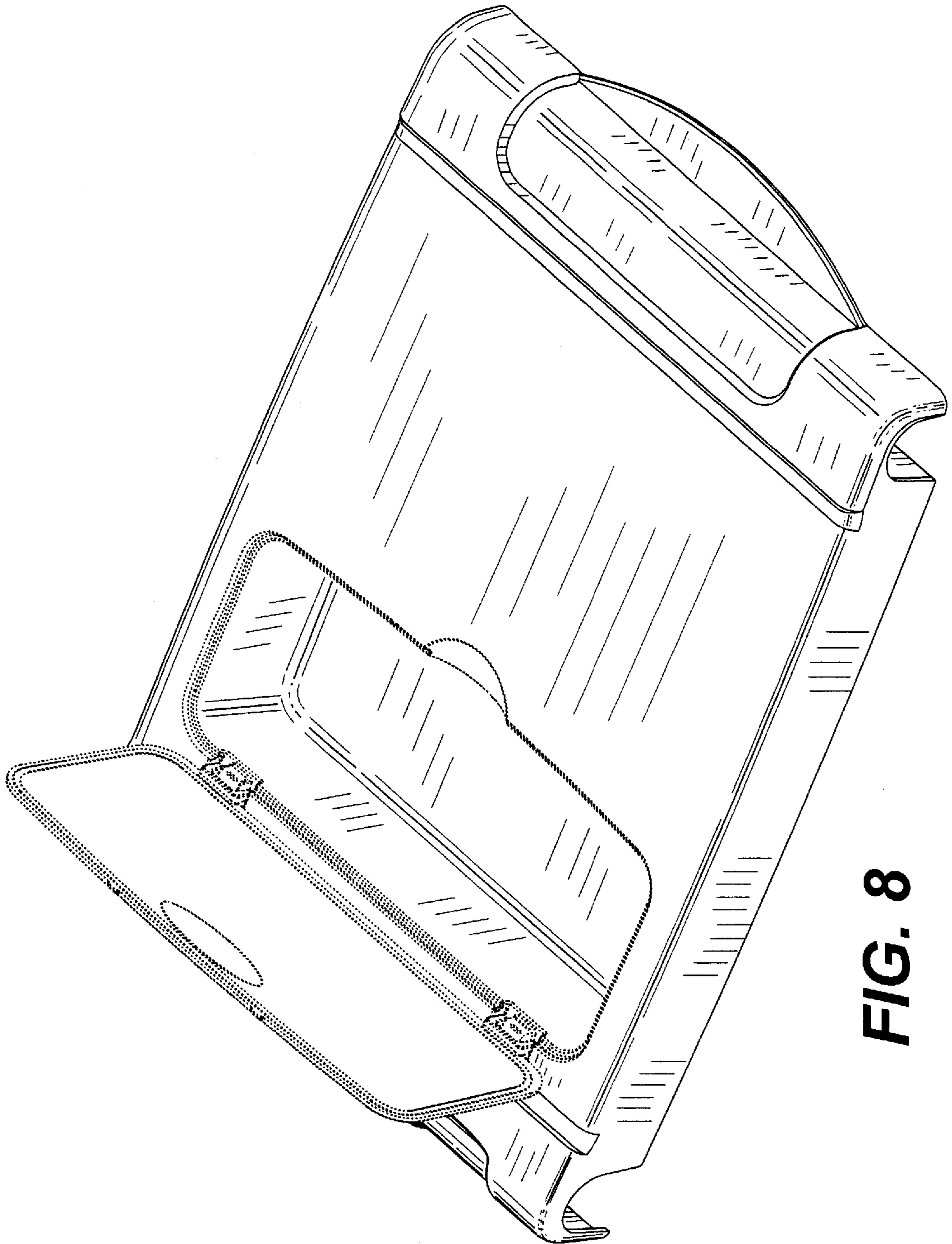


FIG. 8

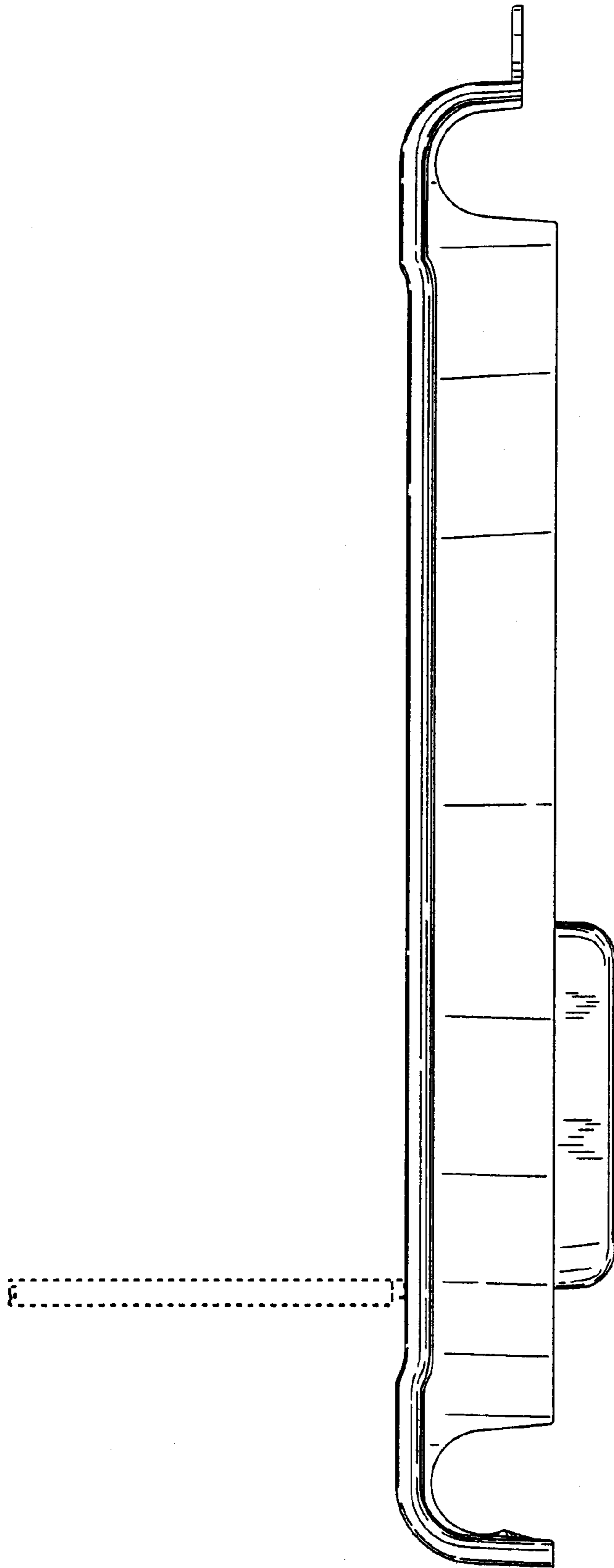


FIG. 9

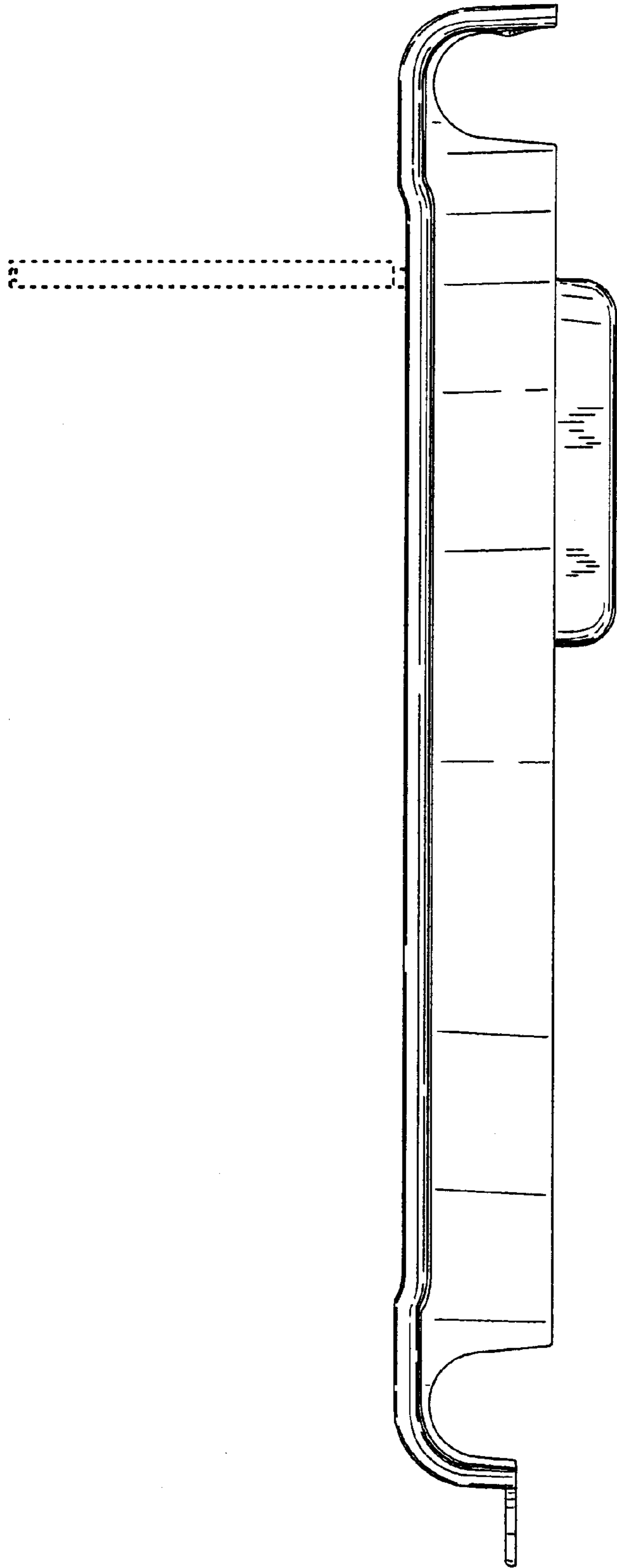


FIG. 10

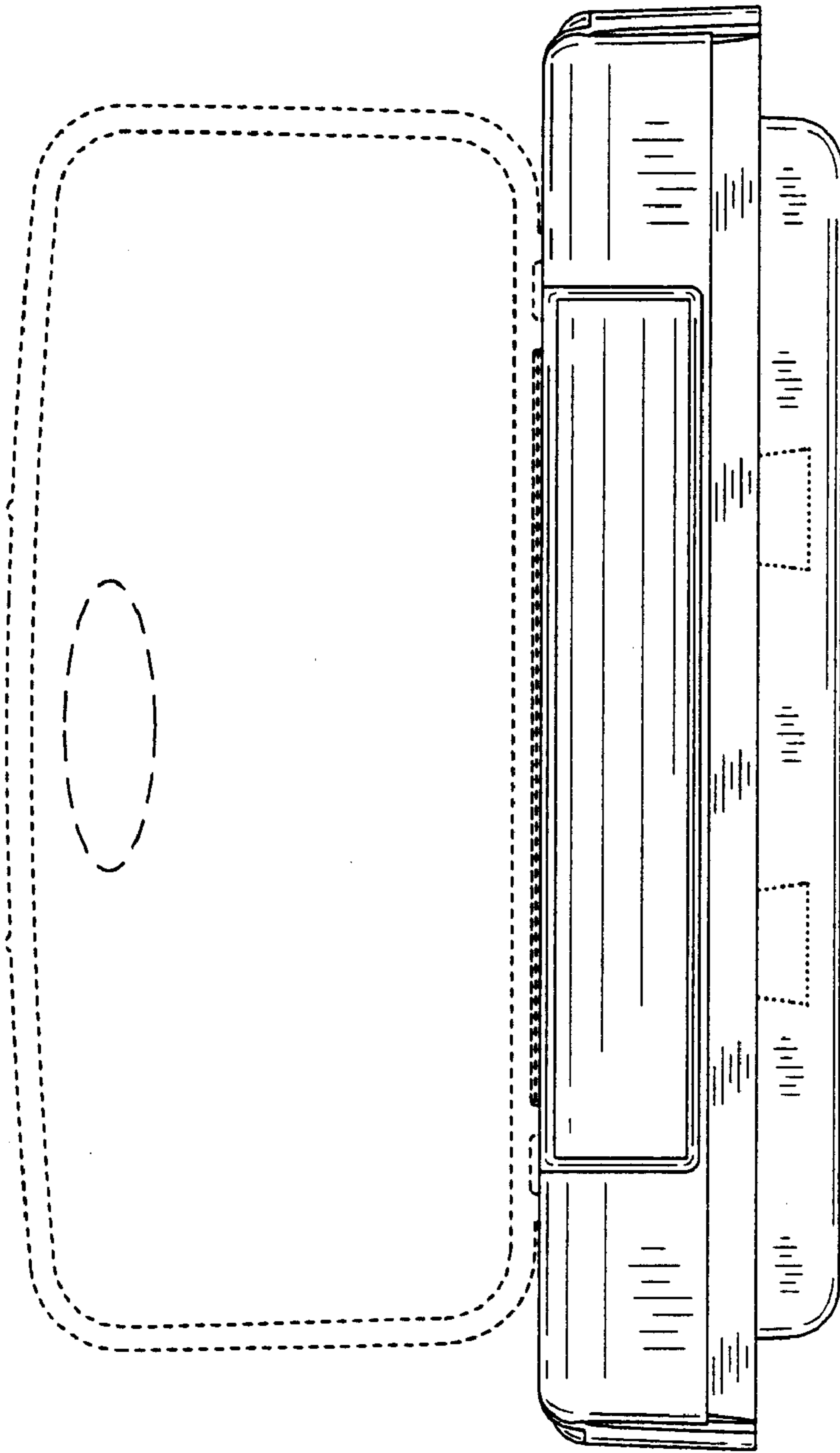


FIG. 11

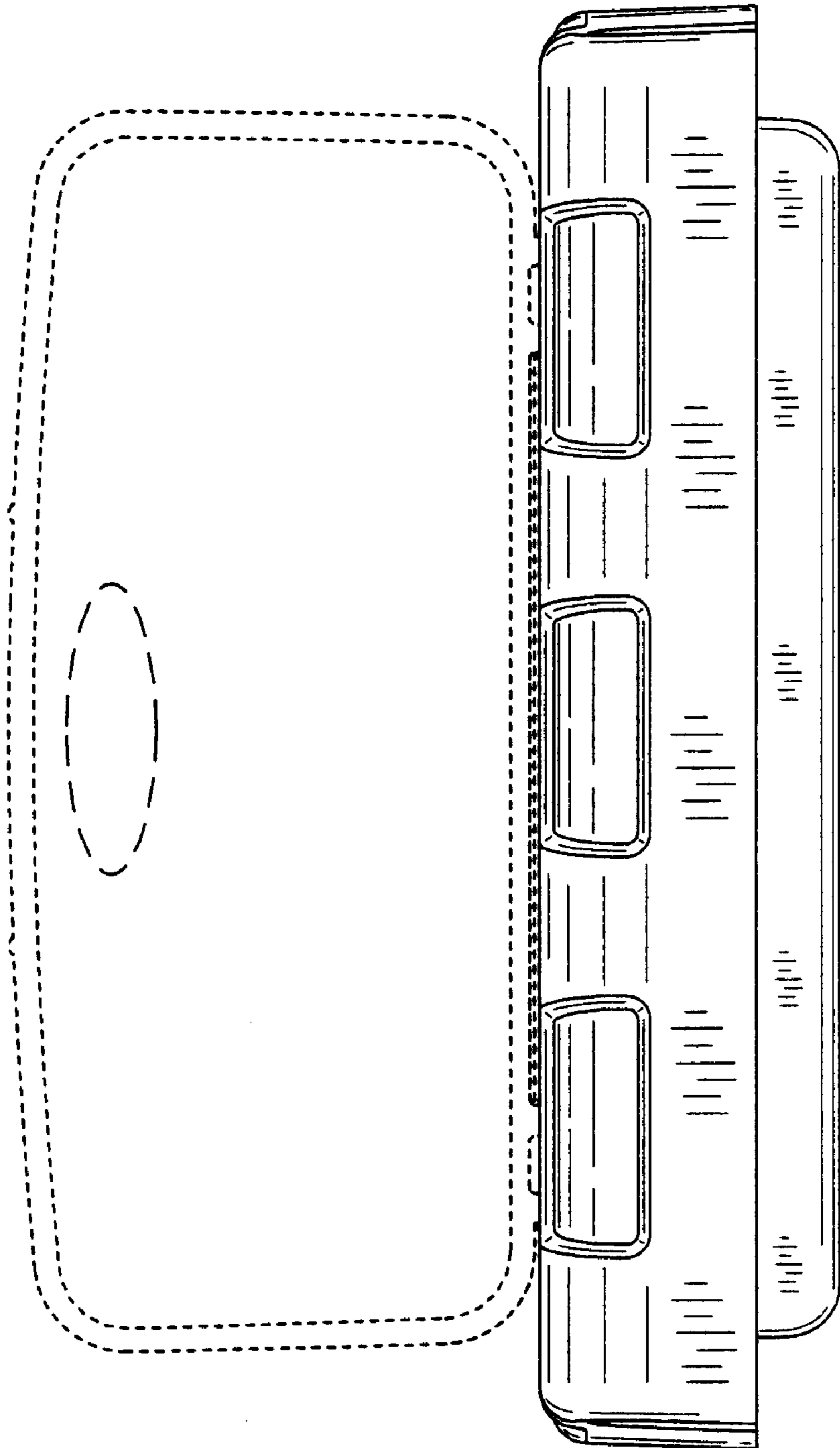


FIG. 12

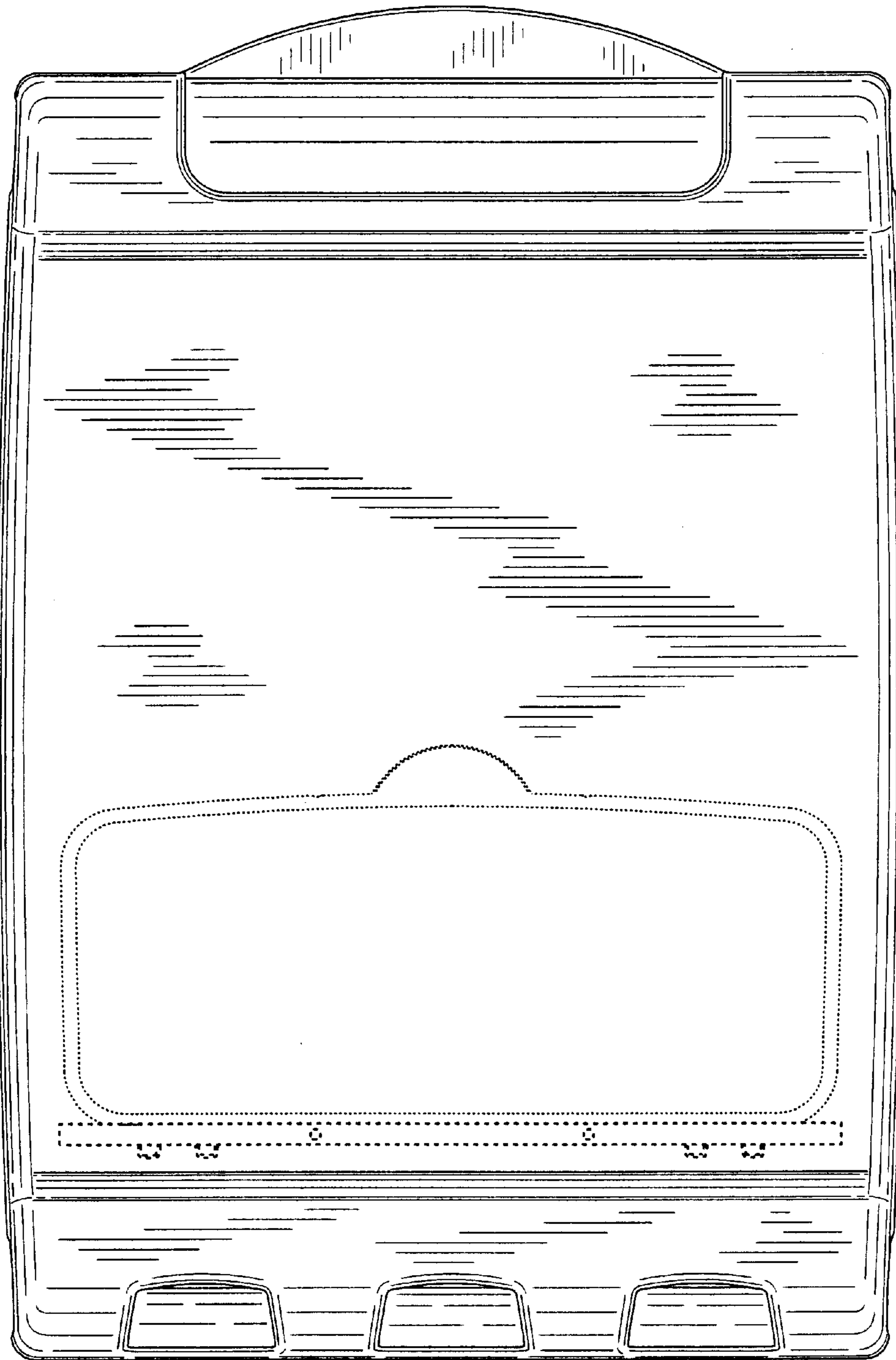


FIG. 13

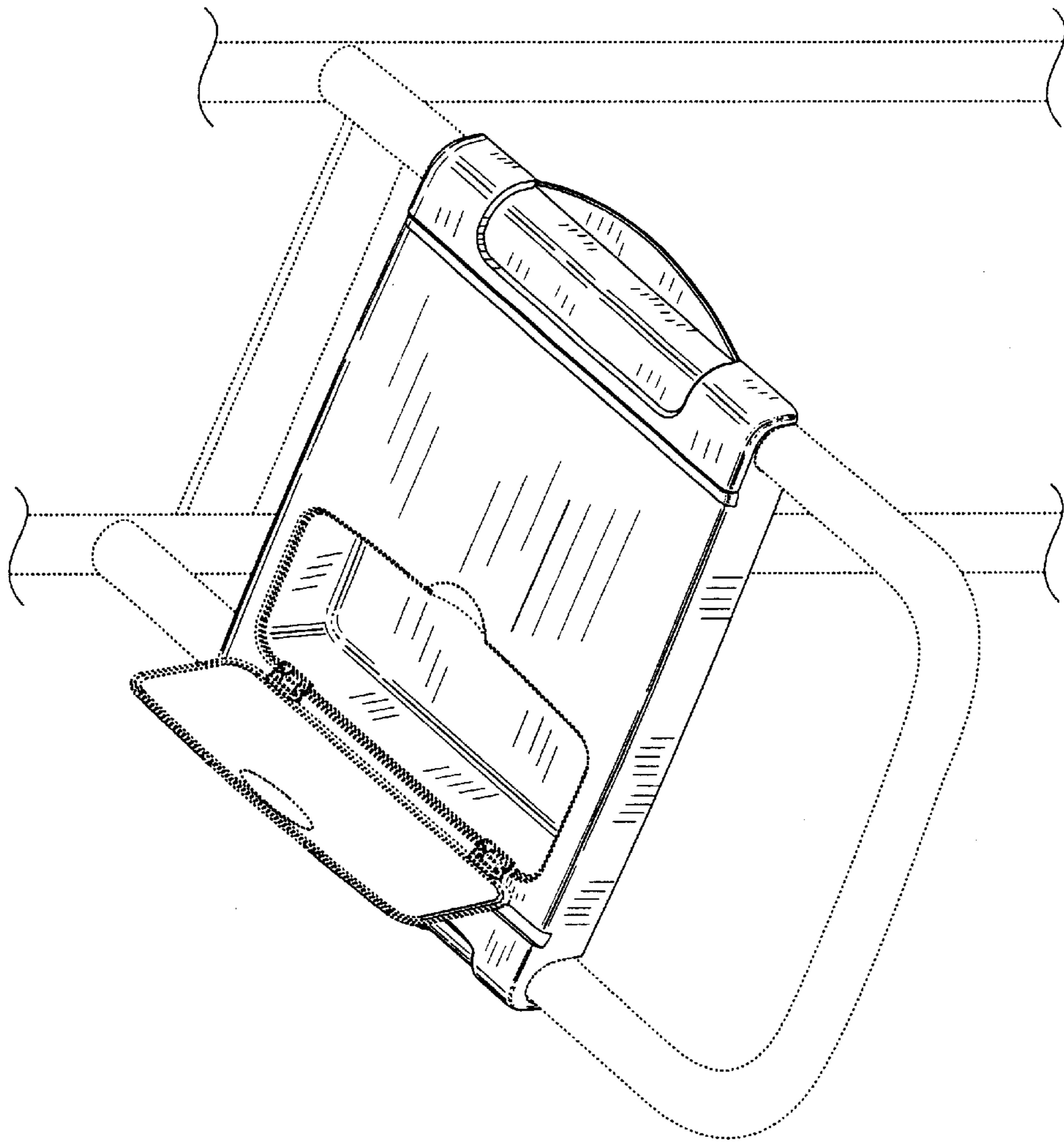


FIG. 14