



US00D484663S

(12) **United States Design Patent**
Cannan

(10) **Patent No.:** **US D484,663 S**

(45) **Date of Patent:** **** Dec. 30, 2003**

(54) **PRODUCT DISPLAY AND VENDING CART**

(75) Inventor: **John Cannan**, Western Springs, IL (US)

(73) Assignee: **Kason Marketing Products, Inc.**, Franklin Park, IL (US)

(**) Term: **14 Years**

(21) Appl. No.: **29/156,394**

(22) Filed: **Feb. 28, 2002**

(51) **LOC (7) Cl.** **12-02**

(52) **U.S. Cl.** **D34/14**

(58) **Field of Search** D34/12-27; 126/8, 126/33, 268, 276; 108/26, 118; 219/214; 312/236

(56) **References Cited**

U.S. PATENT DOCUMENTS

1,962,454 A *	6/1934	Meanor et al.	126/268
3,512,826 A *	5/1970	Hahn	296/22
D398,432 S *	9/1998	Yerkes	D34/20
D443,745 S *	6/2001	Mount	D34/14
D460,596 S *	7/2002	Bond et al.	D34/14
D469,234 S *	1/2003	Bond et al.	D34/14
6,603,098 B2 *	8/2003	Reddy et al.	219/400

FOREIGN PATENT DOCUMENTS

WO WO 01/91622 * 12/2001

* cited by examiner

Primary Examiner—Kay H. Chin

(74) *Attorney, Agent, or Firm*—Baker Donelson

(57) **CLAIM**

The ornamental design for a product display and vending cart, as shown and described.

DESCRIPTION

FIG. 1 is a perspective view of a product display and vending cart showing my new design;

FIG. 2 is a top plan view thereof;

FIG. 3 is a front elevation view thereof;

FIG. 4 is a rear elevation view thereof;

FIG. 5 is a side elevation view thereof, the opposite side being a mirror image of that shown;

FIG. 6 is a perspective view of a second embodiment of the product display and vending cart;

FIG. 7 is a top plan view of FIG. 6;

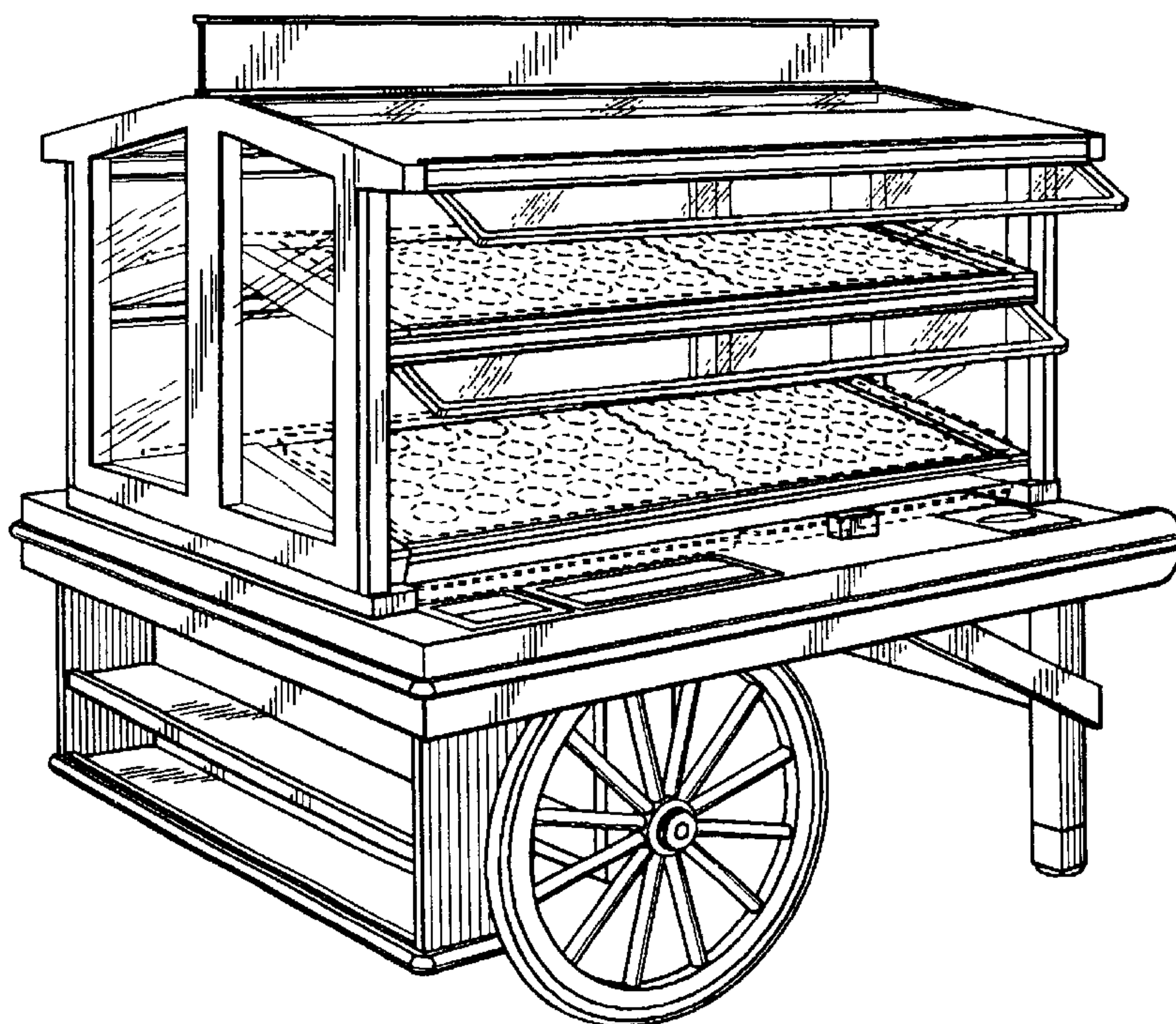
FIG. 8 is a front elevation view of FIG. 6;

FIG. 9 is a rear elevation view of FIG. 6; and,

FIG. 10 is a side elevation view of FIG. 6, the opposite side being a mirror image of that shown.

The broken line disclosure shown in the drawing is for illustrative purposes only and forms no part of the claimed design.

1 Claim, 6 Drawing Sheets



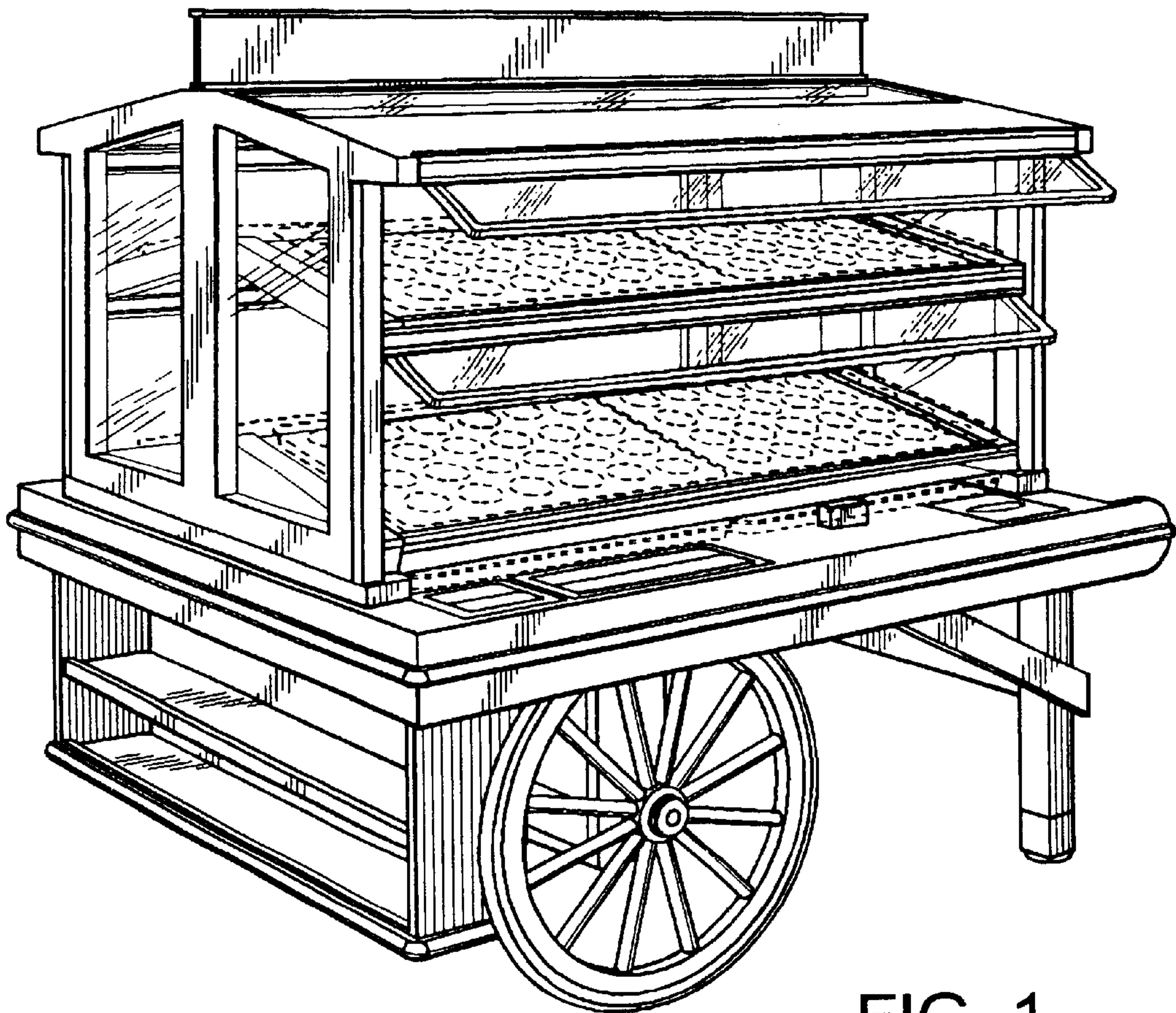


FIG. 1

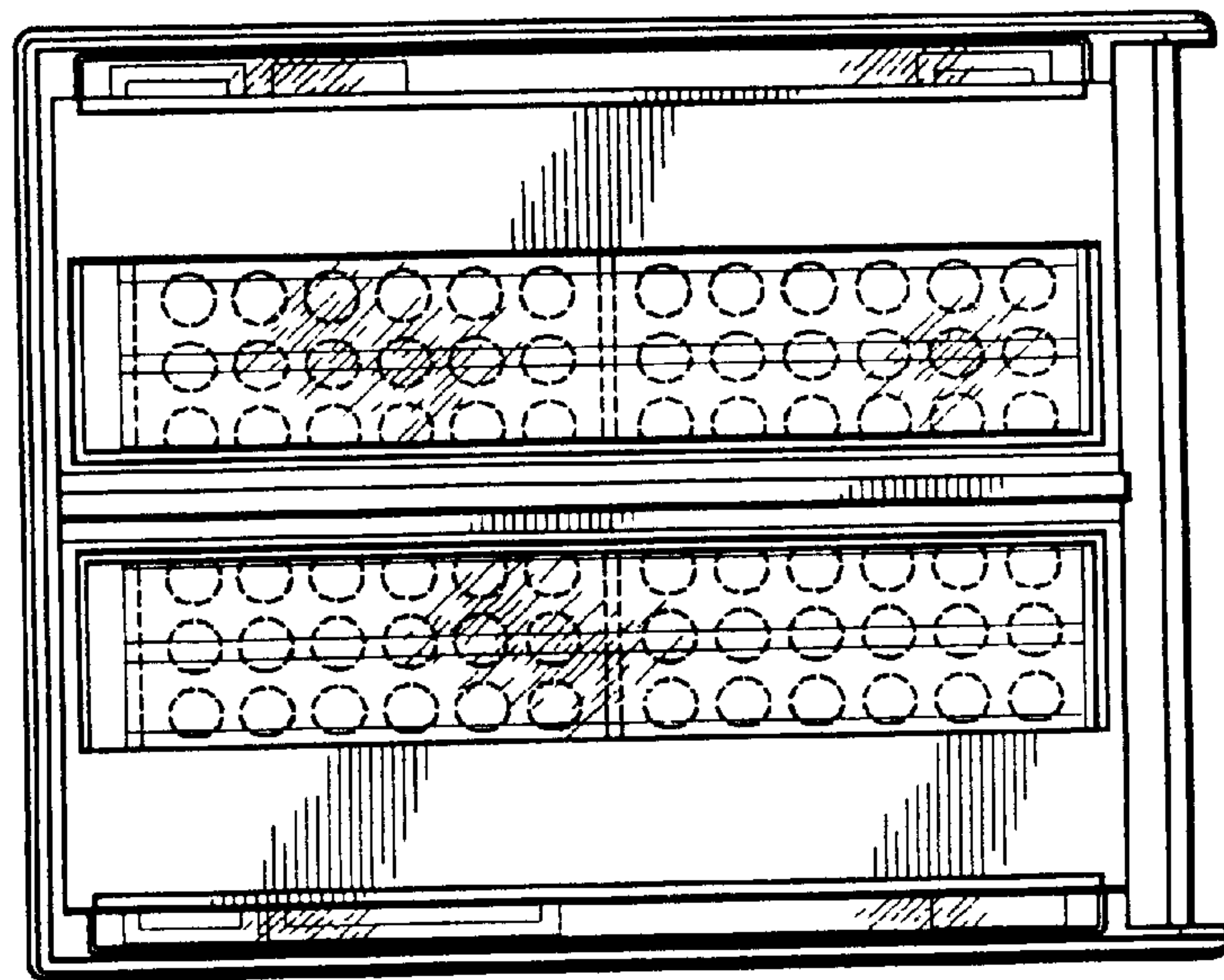


FIG. 2

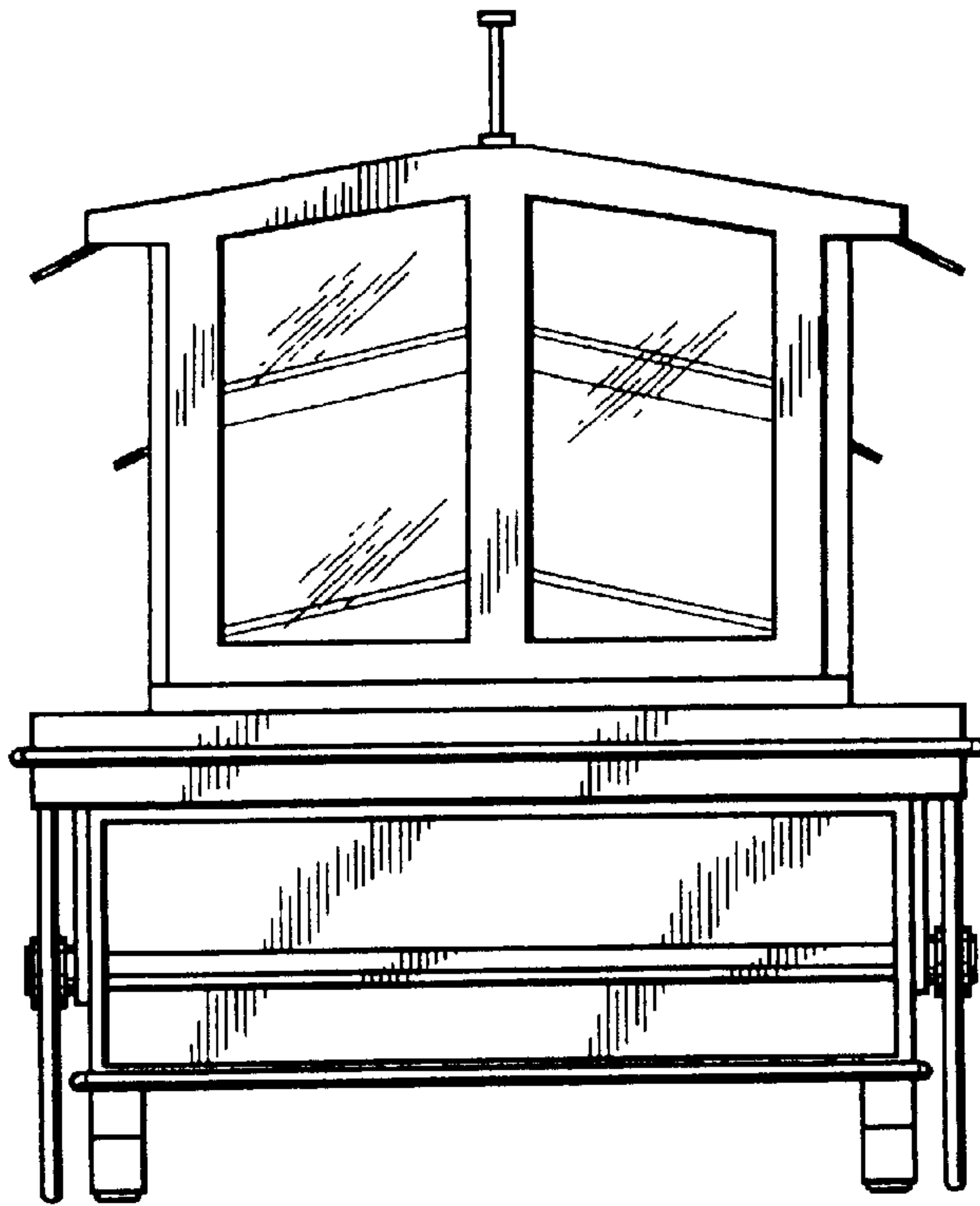


FIG. 3

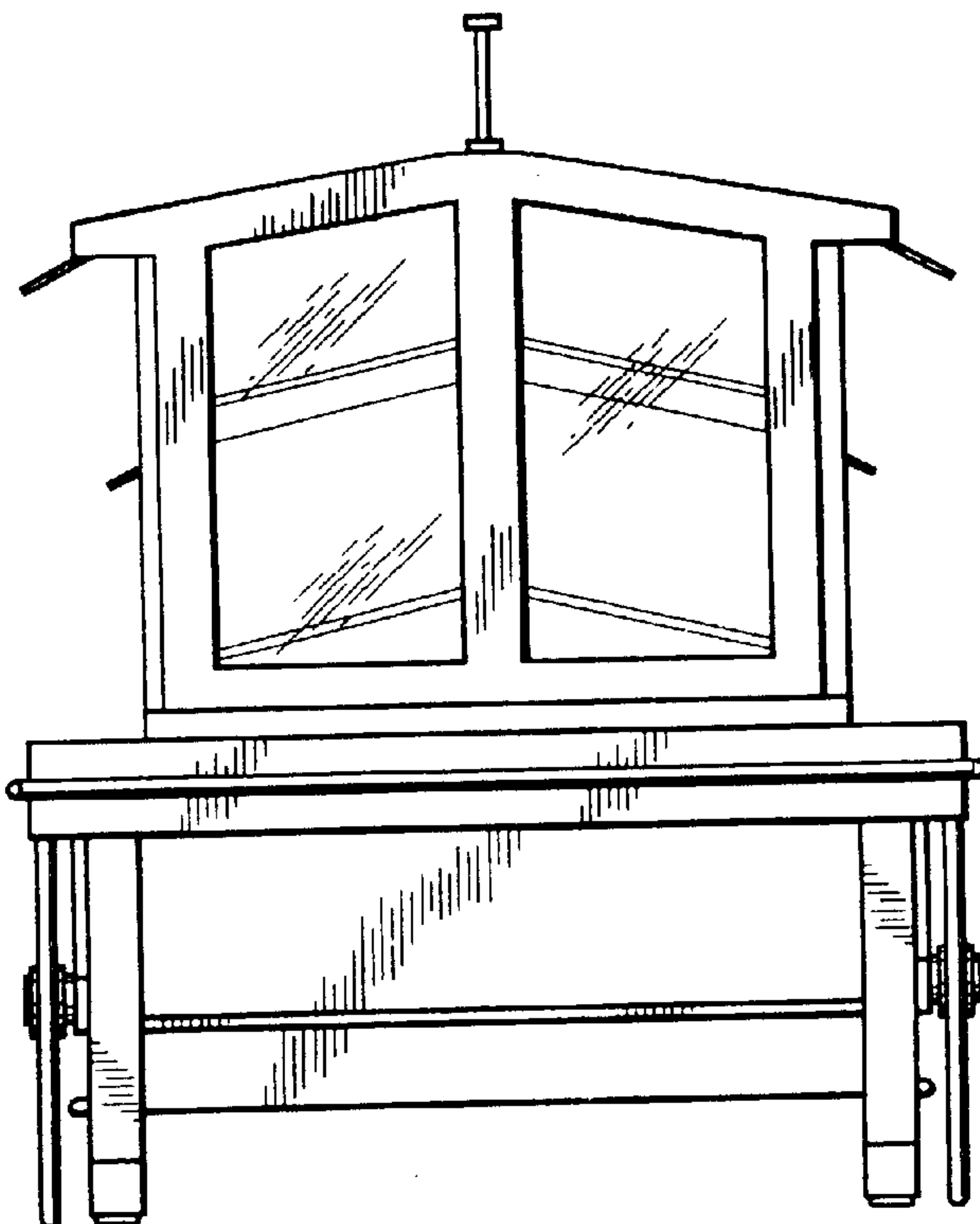


FIG. 4

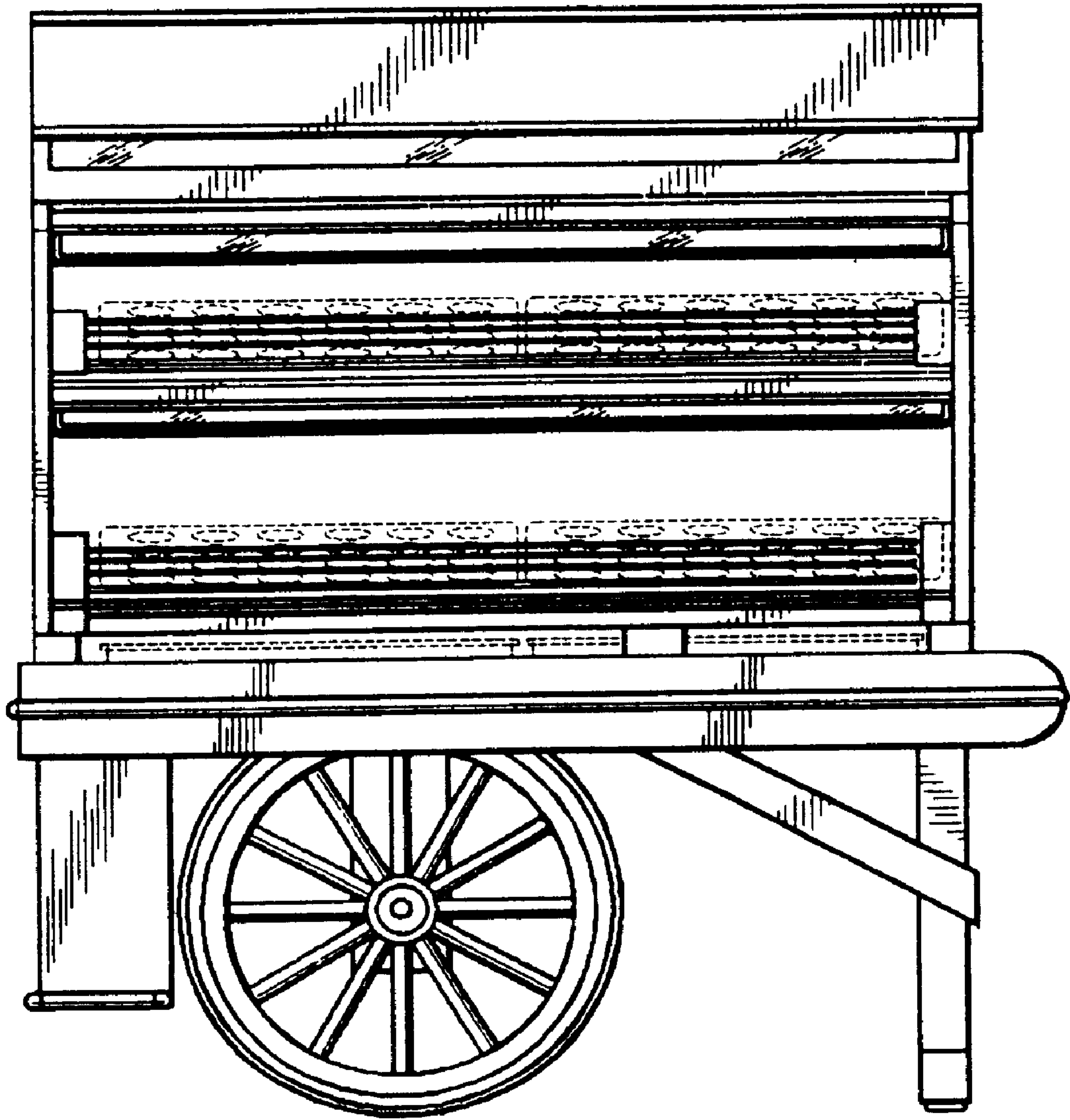


FIG. 5

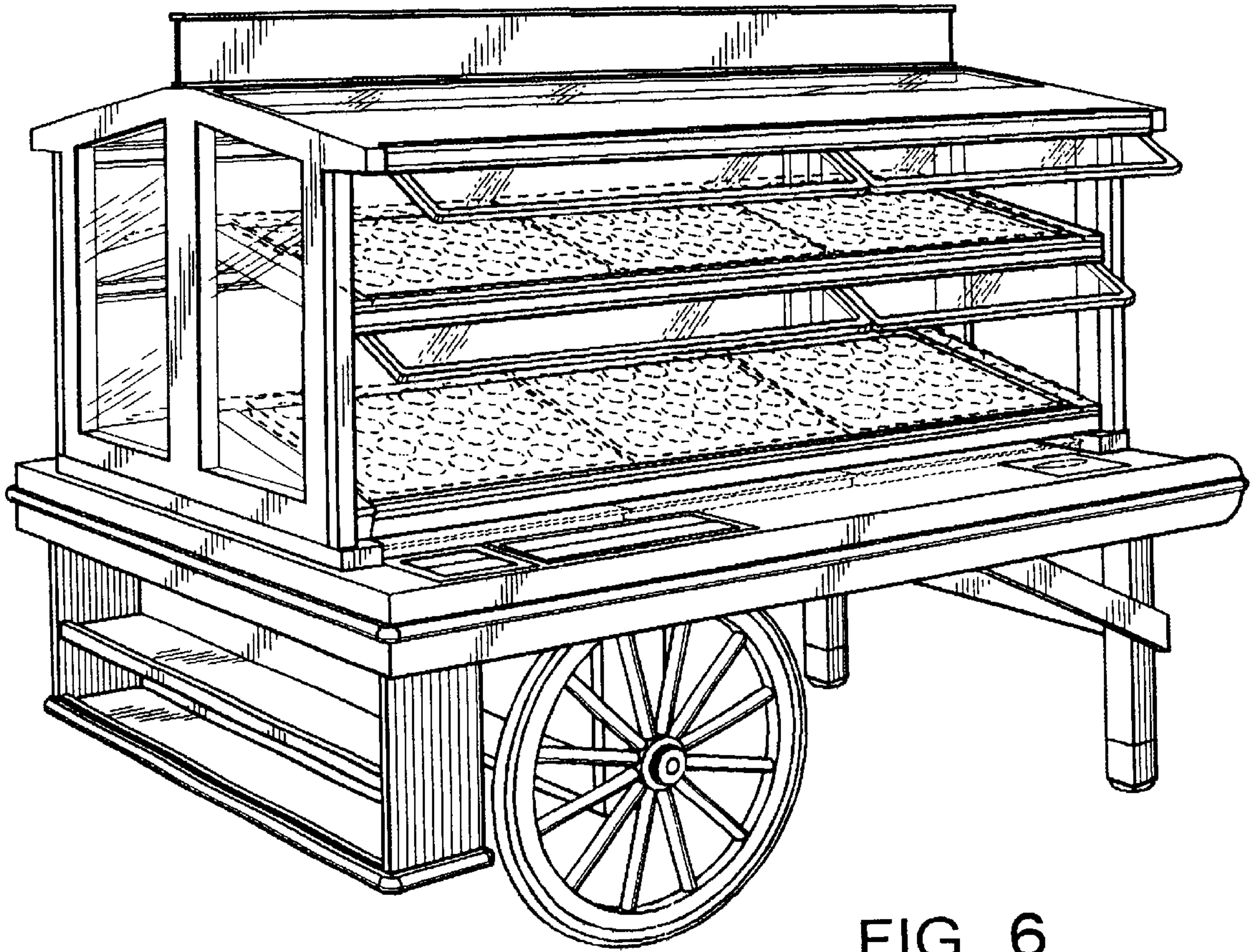


FIG. 6

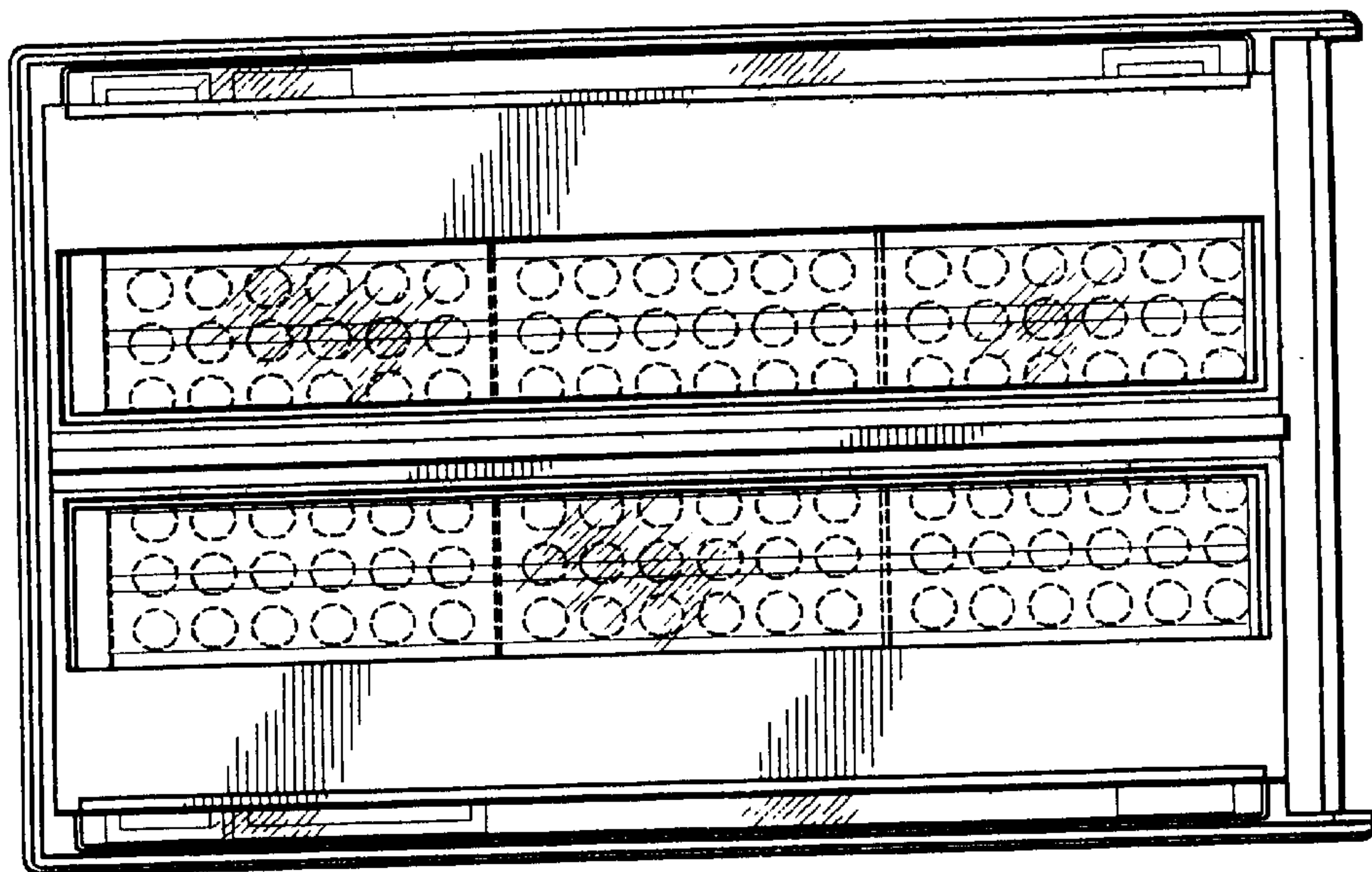


FIG. 7

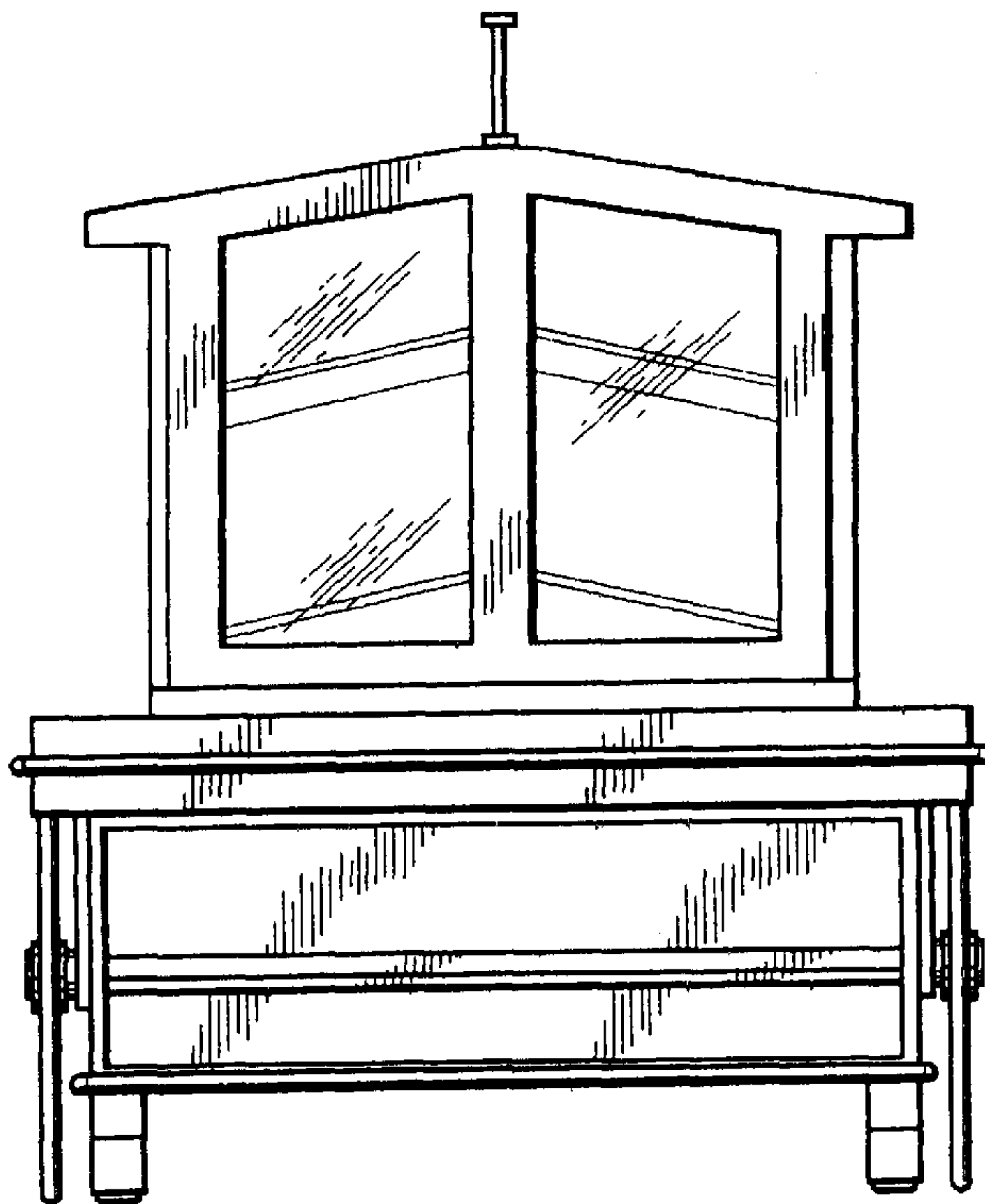


FIG. 8

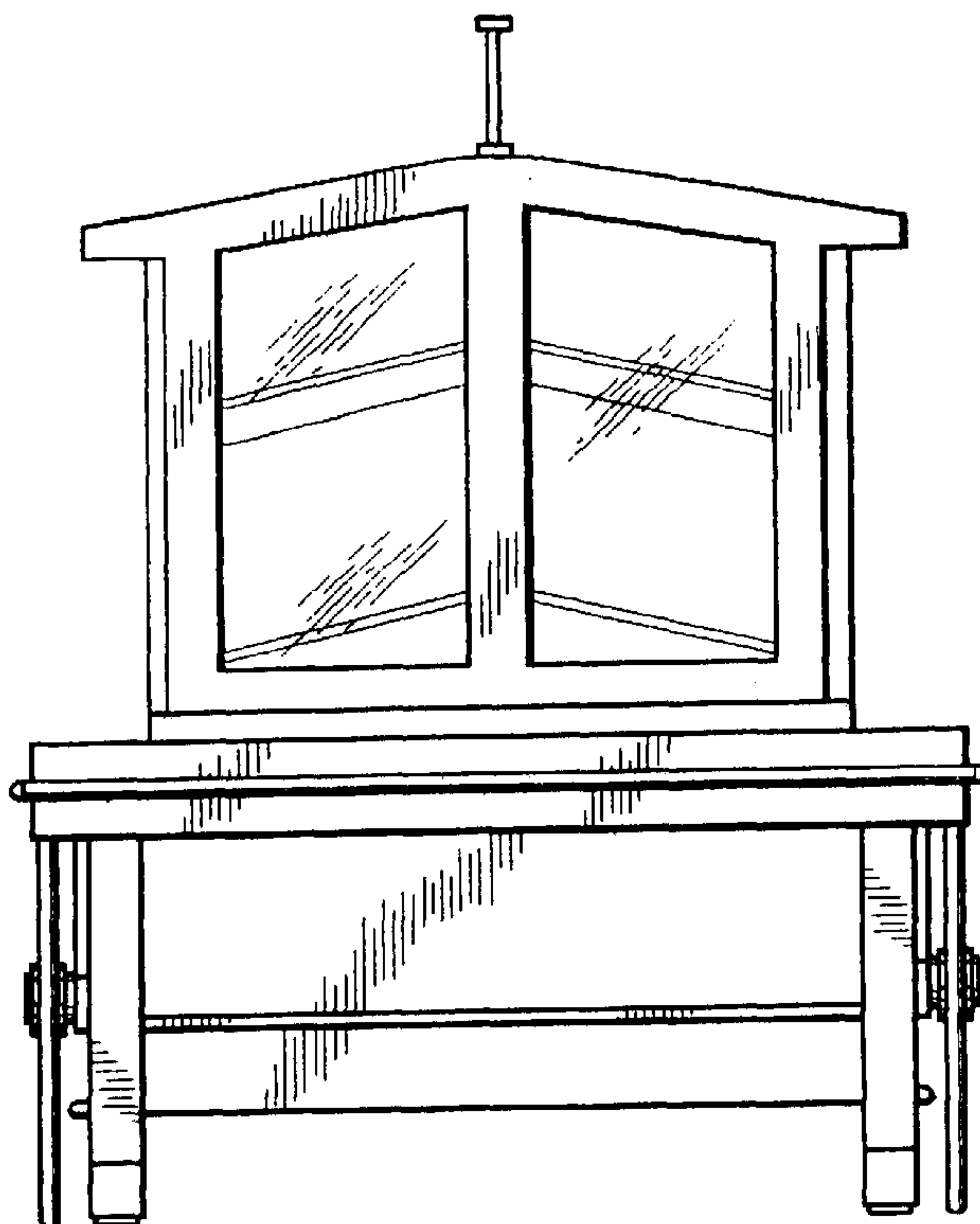


FIG. 9

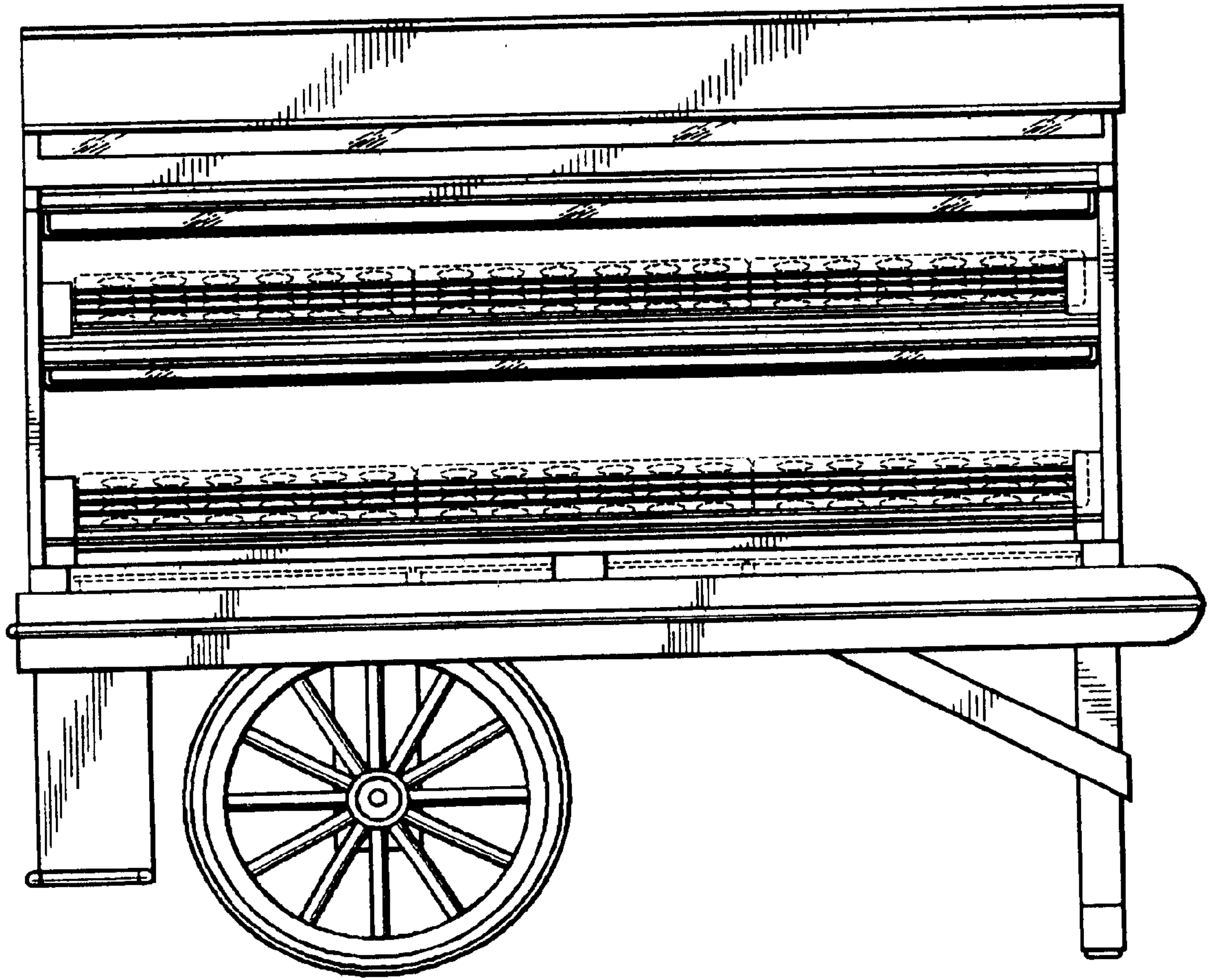


FIG. 10