



US00D484662S

(12) **United States Design Patent**
Fuller

(10) **Patent No.:** **US D484,662 S**

(45) **Date of Patent:** **** Dec. 30, 2003**

(54) **COMBINATION BAG HOLDER AND DISPOSAL CONTAINER FOR TAMPONS**

(76) **Inventor:** **Paula M. Fuller**, 40 Dogwood St., Park Forest, IL (US) 60466

(**) **Term:** **14 Years**

(21) **Appl. No.:** **29/174,716**

(22) **Filed:** **Jan. 23, 2003**

Related U.S. Application Data

(62) Division of application No. 29/141,200, filed on May 1, 2001, now Pat. No. Des. 473,360.

(51) **LOC (7) Cl.** **09-09**

(52) **U.S. Cl.** **D34/7; D34/6**

(58) **Field of Search** D34/7, 1, 5, 6; 294/159; 220/23.4, 909, 908, 908.1; 248/95, 97, 99, 101

(56) **References Cited**

U.S. PATENT DOCUMENTS

4,338,979	A	*	7/1982	Dow	248/97
D274,569	S	*	7/1984	Muraoka	D34/6
4,673,084	A	*	6/1987	Hubbard et al.	248/97
D308,272	S	*	5/1990	Koepsell	D34/6
5,002,200	A	*	3/1991	Hunt	248/95
5,009,364	A	*	4/1991	Bolte	220/23.4
5,035,355	A	*	7/1991	Dollhopf	220/909
5,056,679	A	*	10/1991	Lonczak	220/908
D322,498	S	*	12/1991	McClees et al.	D34/1
D327,346	S	*	6/1992	Tamayo	D34/1
D328,169	S	*	7/1992	Burleigh	D34/8
D331,302	S	*	11/1992	Clapp et al.	D34/7
D332,334	S	*	1/1993	Jones	D34/9
D333,897	S	*	3/1993	Ward	D34/7
D343,486	S	*	1/1994	Kimport	D34/1
D346,057	S	*	4/1994	Carreras	D34/9
D355,060	S	*	1/1995	Bernstein et al.	D34/1
D366,743	S	*	1/1996	Davenprt	D34/7
D370,106	S	*	5/1996	Ellis	D34/1

D377,554	S	*	1/1997	Adraansen	D34/7
D398,122	S	*	9/1998	Presock et al.	D34/9
D398,428	S	*	9/1998	Chipman	D34/1
D401,383	S	*	11/1998	Gish	D34/1
D401,708	S	*	11/1998	Arbak et al.	D34/1
D413,419	S	*	8/1999	Arbak et al.	D34/1
D416,658	S	*	11/1999	Houry	D34/7
D418,650	S	*	1/2000	Neuhaus	D34/1
D418,957	S	*	1/2000	Rashid	D34/7
D441,160	S	*	4/2001	Lin	D34/7
D442,330	S	*	5/2001	Cousins	D34/7
D447,308	S	*	8/2001	Lin	D34/9
D447,611	S	*	9/2001	Lin	D34/9

* cited by examiner

Primary Examiner—Cynthia E. Ramirez

(74) *Attorney, Agent, or Firm*—Greer, Burns & Crain, Ltd.

(57) **CLAIM**

The ornamental design for a combination bag holder and disposal container for tampons, as shown and described.

DESCRIPTION

FIG. 1 is a perspective view of a first embodiment of the combination bag holder and disposal container for tampons of the invention;

FIG. 2 is a right side elevational view thereof. The left side is a mirror image of the right side;

FIG. 3 is a front elevational view thereof;

FIG. 4 is a rear elevational view thereof;

FIG. 5 is a top plan view thereof;

FIG. 6 is a bottom view thereof;

FIG. 7 is a perspective view of a second embodiment of the combination bag holder and disposal container for tampons of the invention;

FIG. 8 is a right side elevational view thereof. The left side is a mirror image of the right side;

FIG. 9 is a front elevational view thereof;

FIG. 10 is a rear elevational view thereof;

FIG. 11 is a top plan view thereof; and,

FIG. 12 is a bottom plan view thereof.

1 Claim, 2 Drawing Sheets

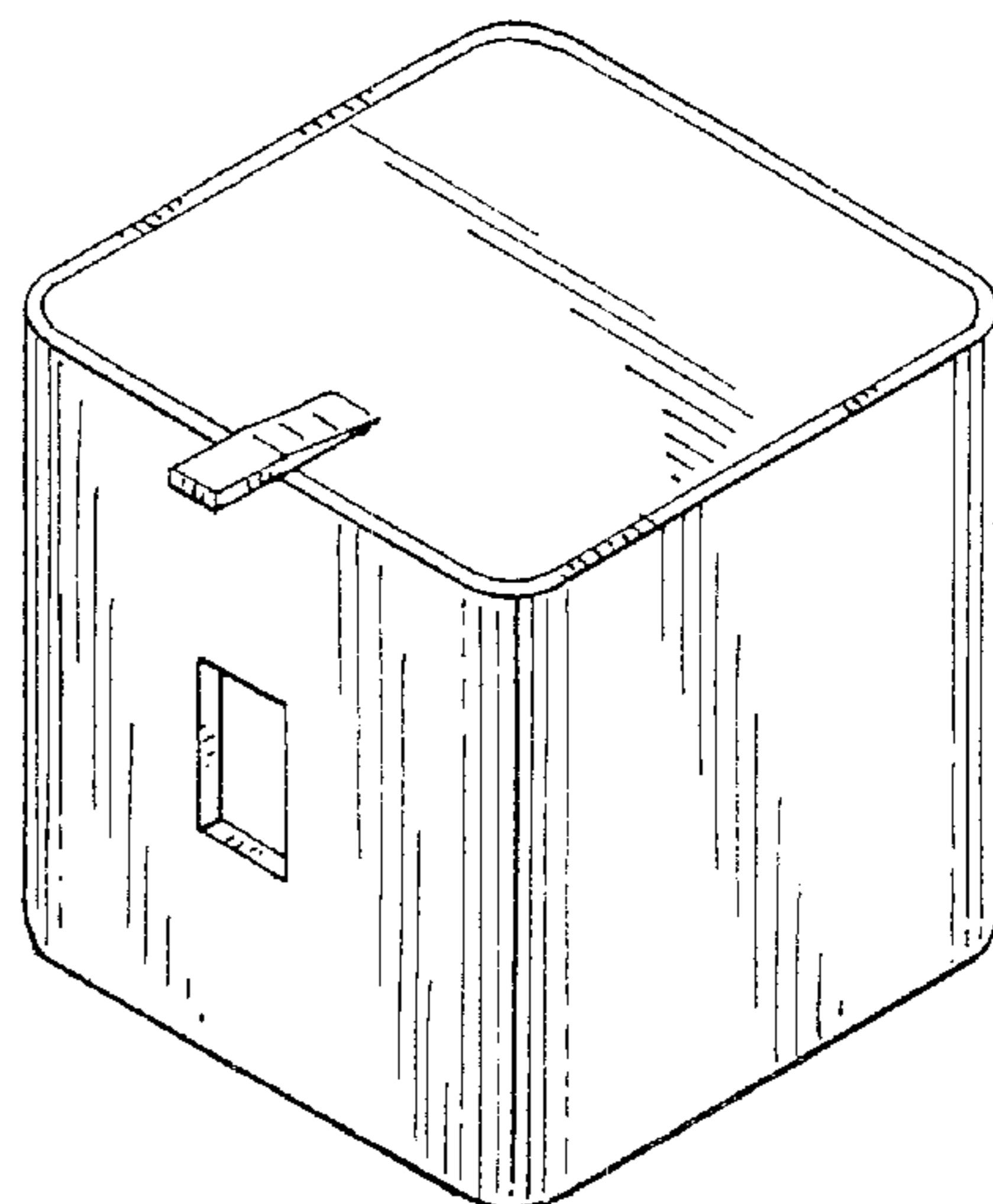
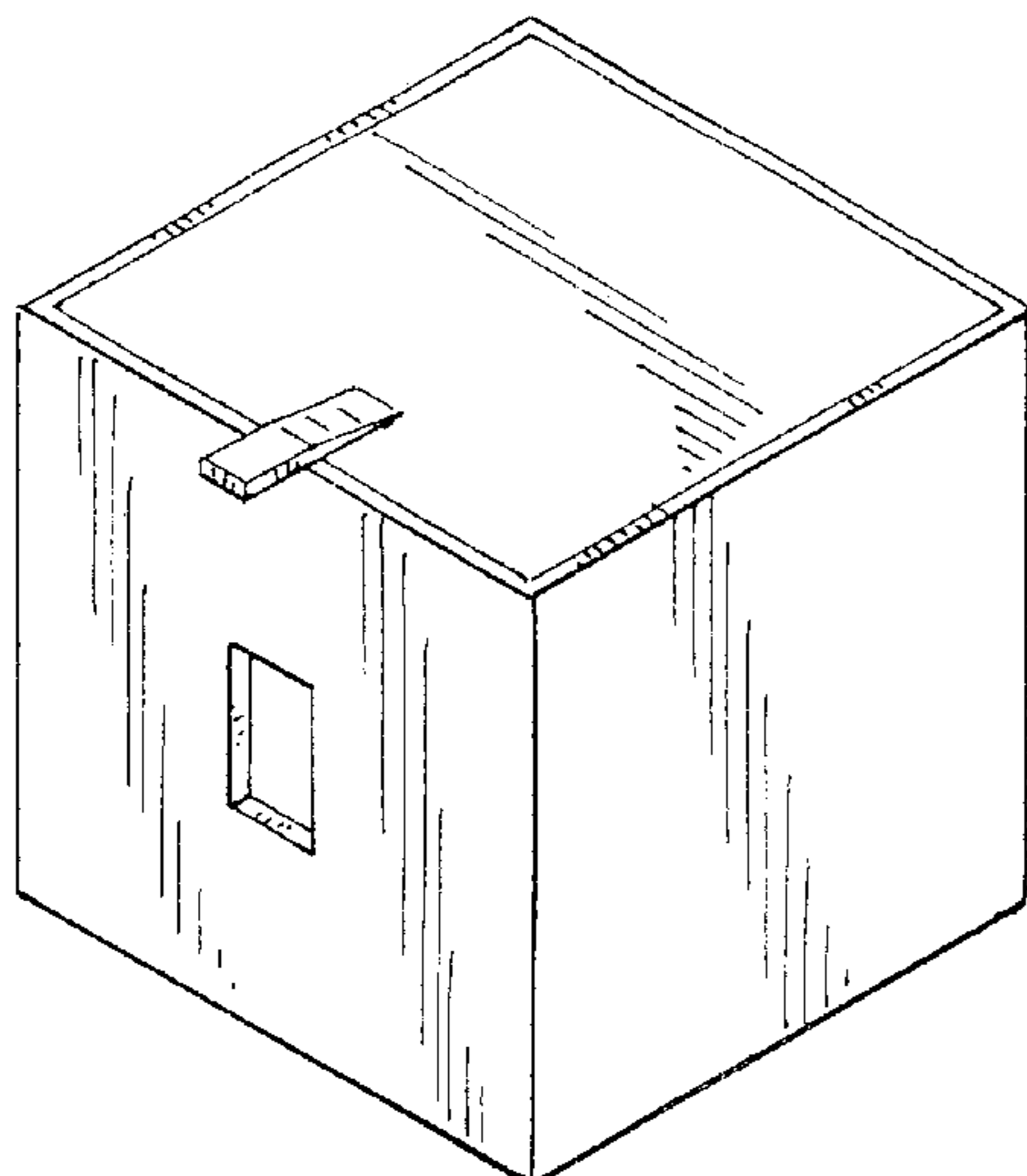


FIG. 1

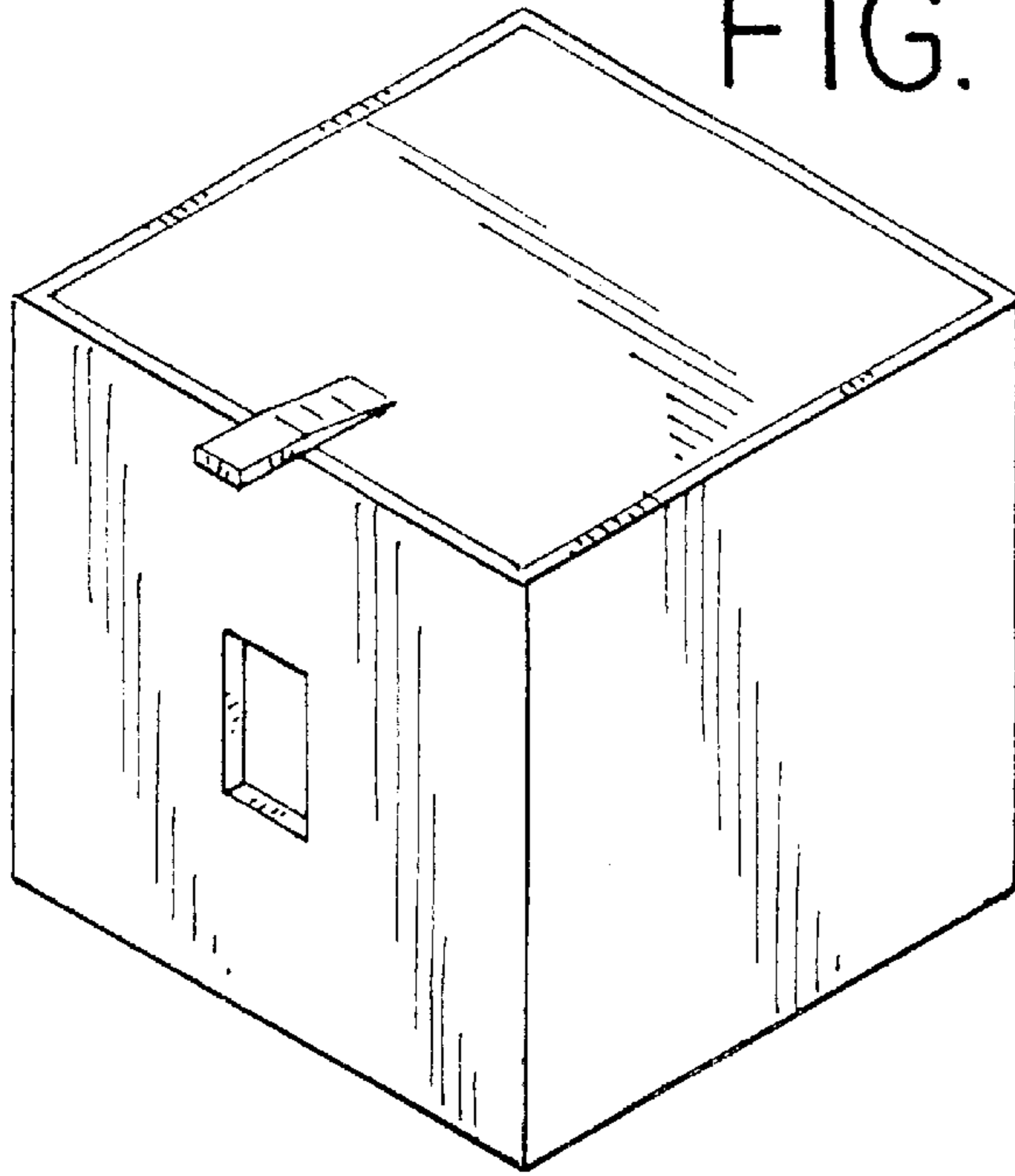


FIG. 2

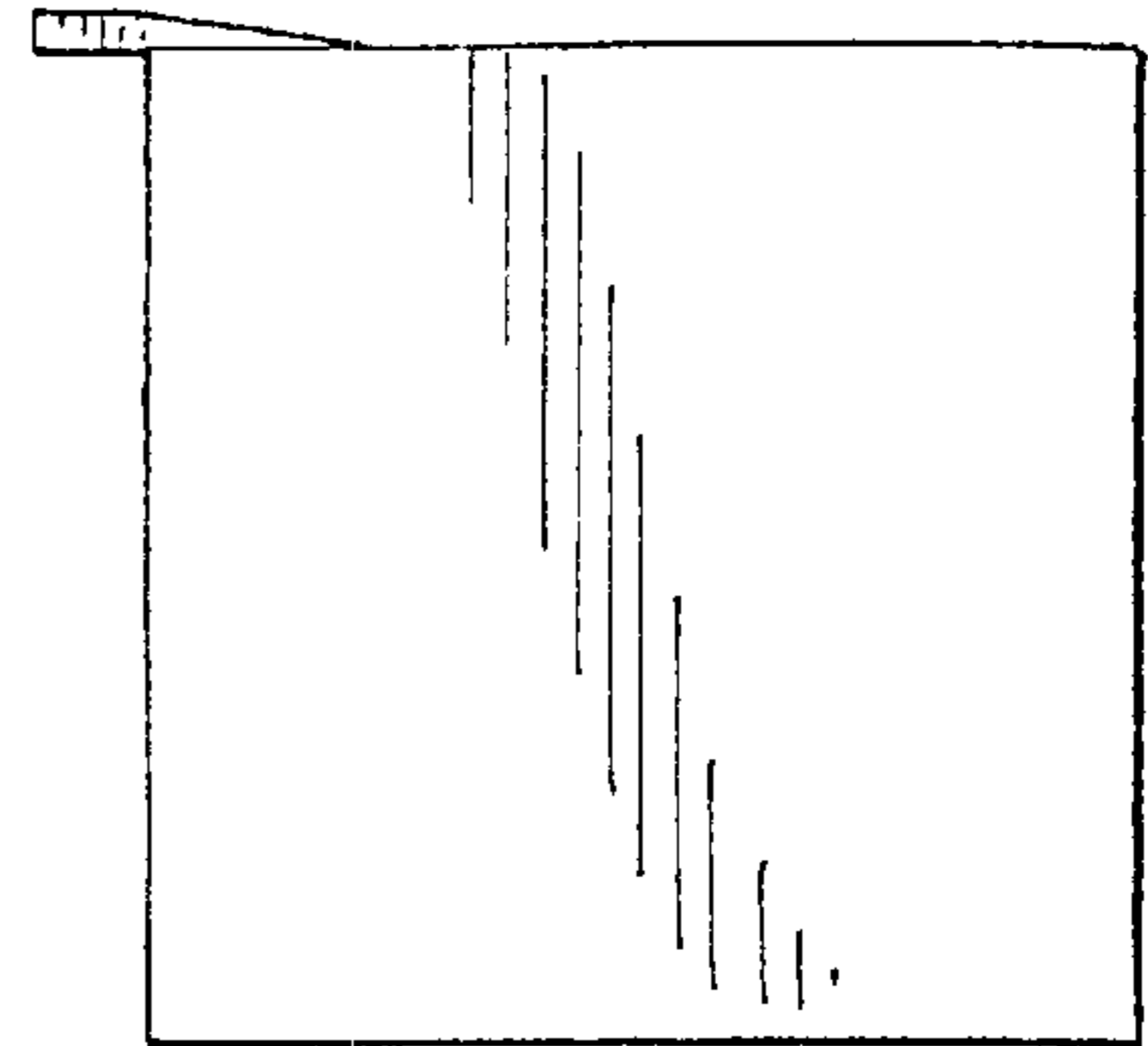


FIG. 3

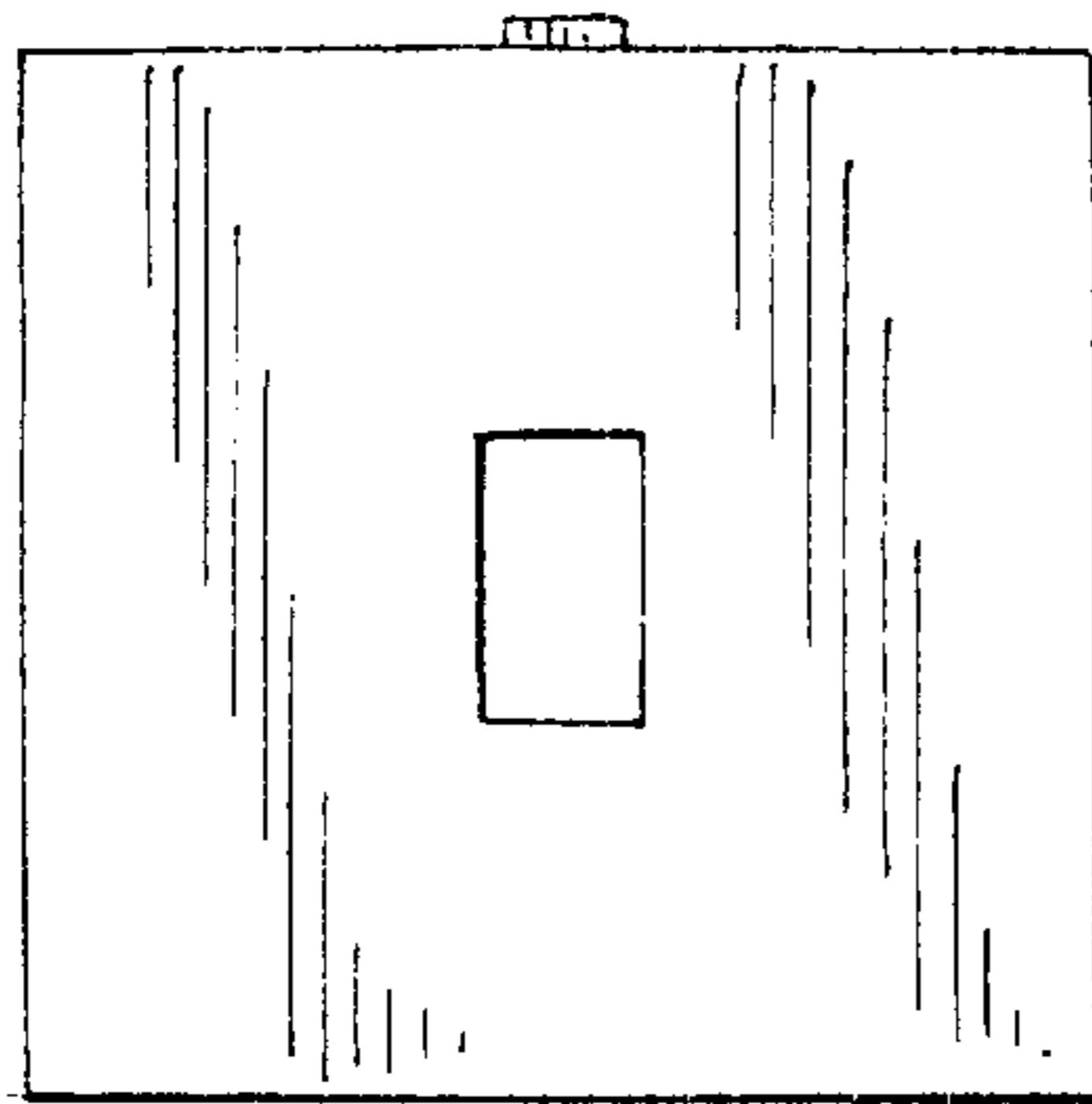


FIG. 4

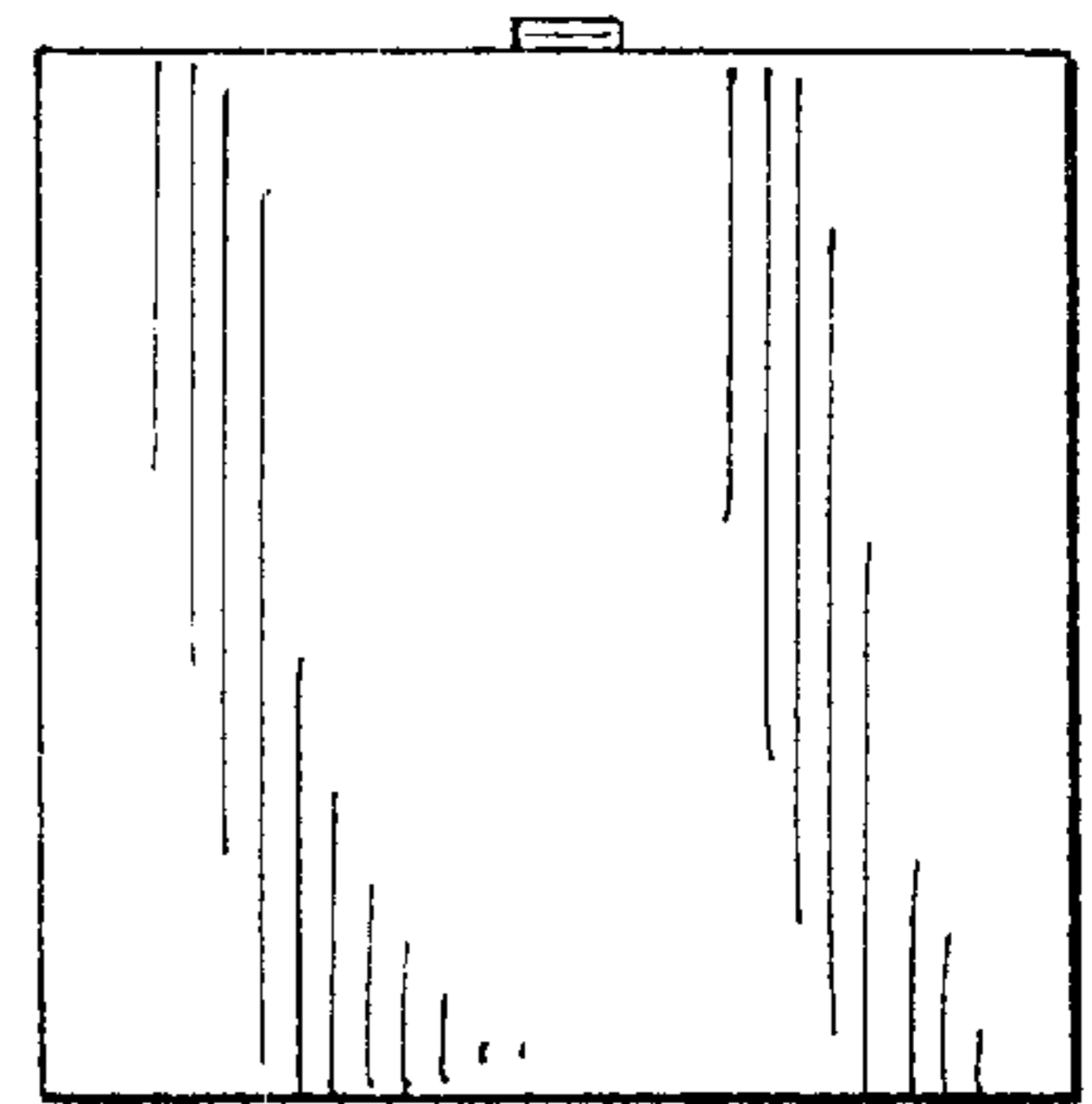


FIG. 5

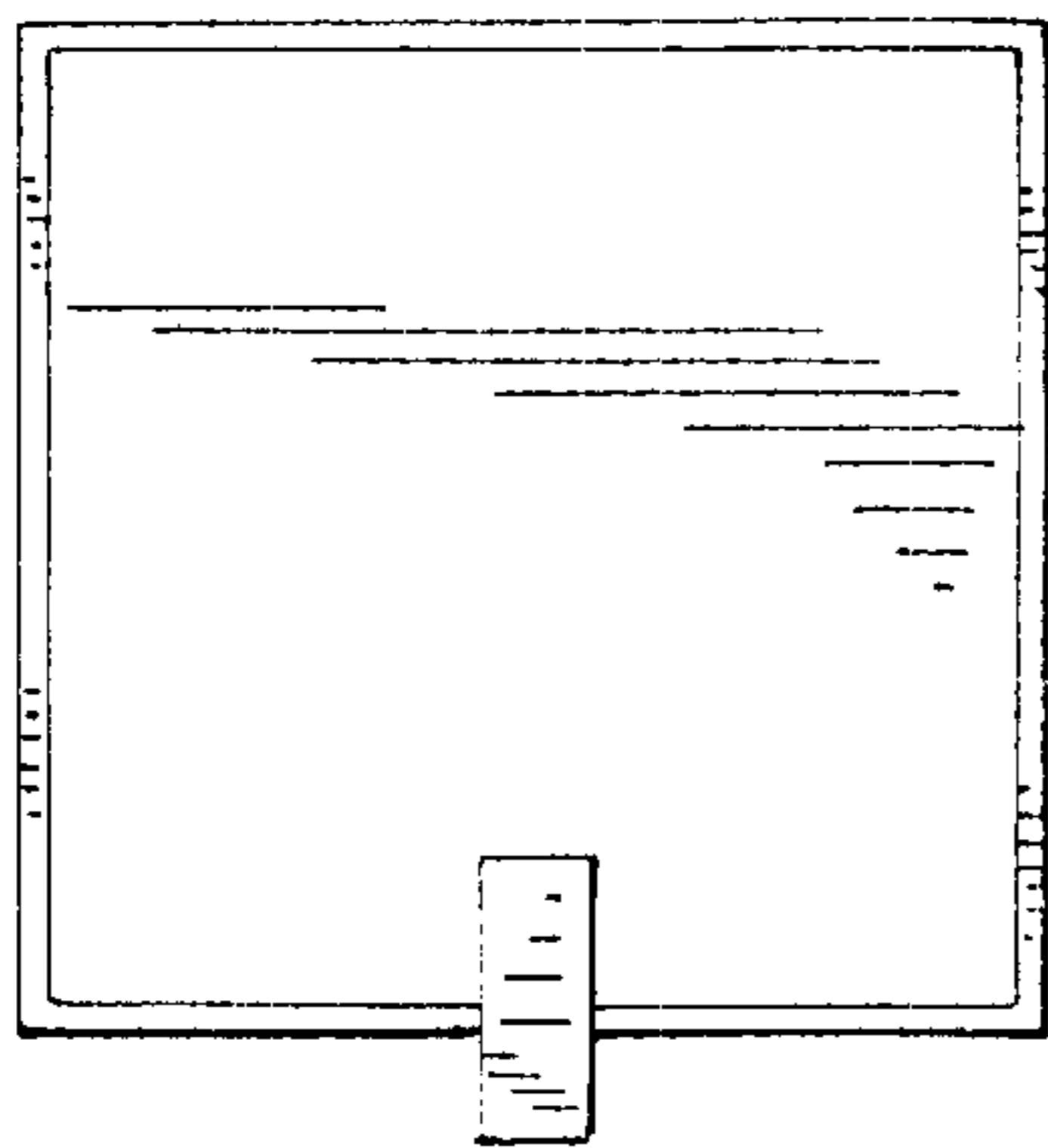


FIG. 6

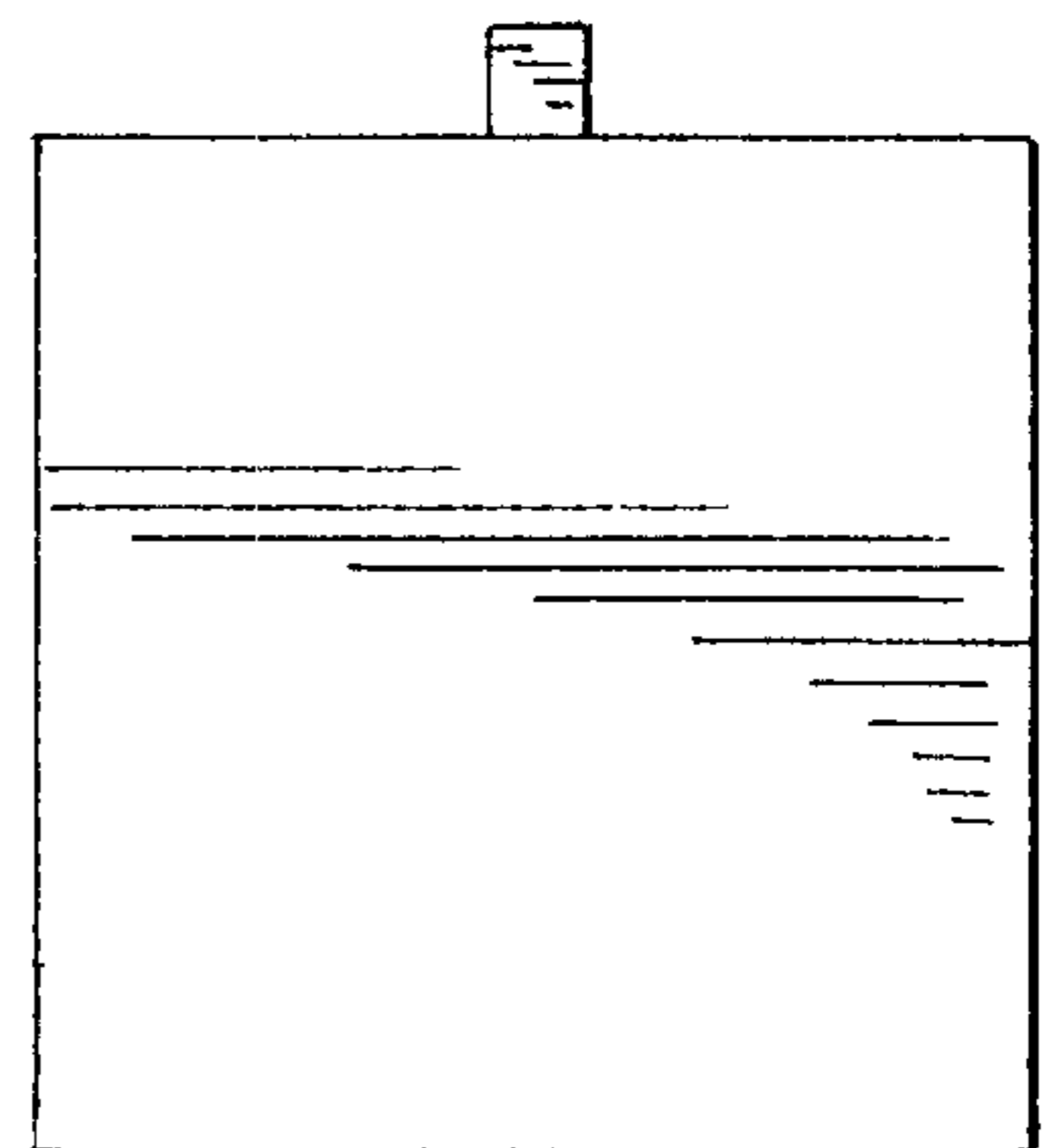


FIG. 7

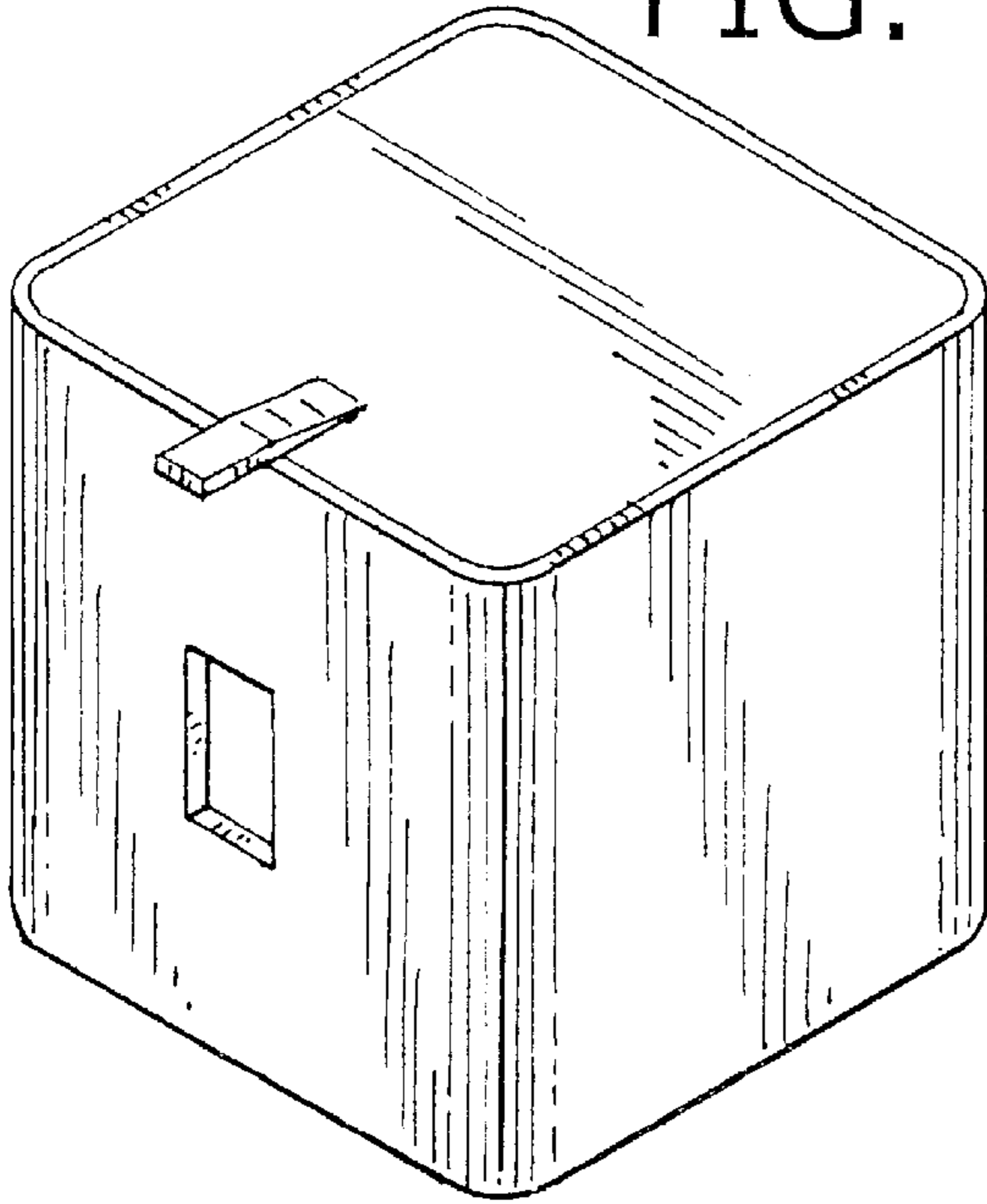


FIG. 8

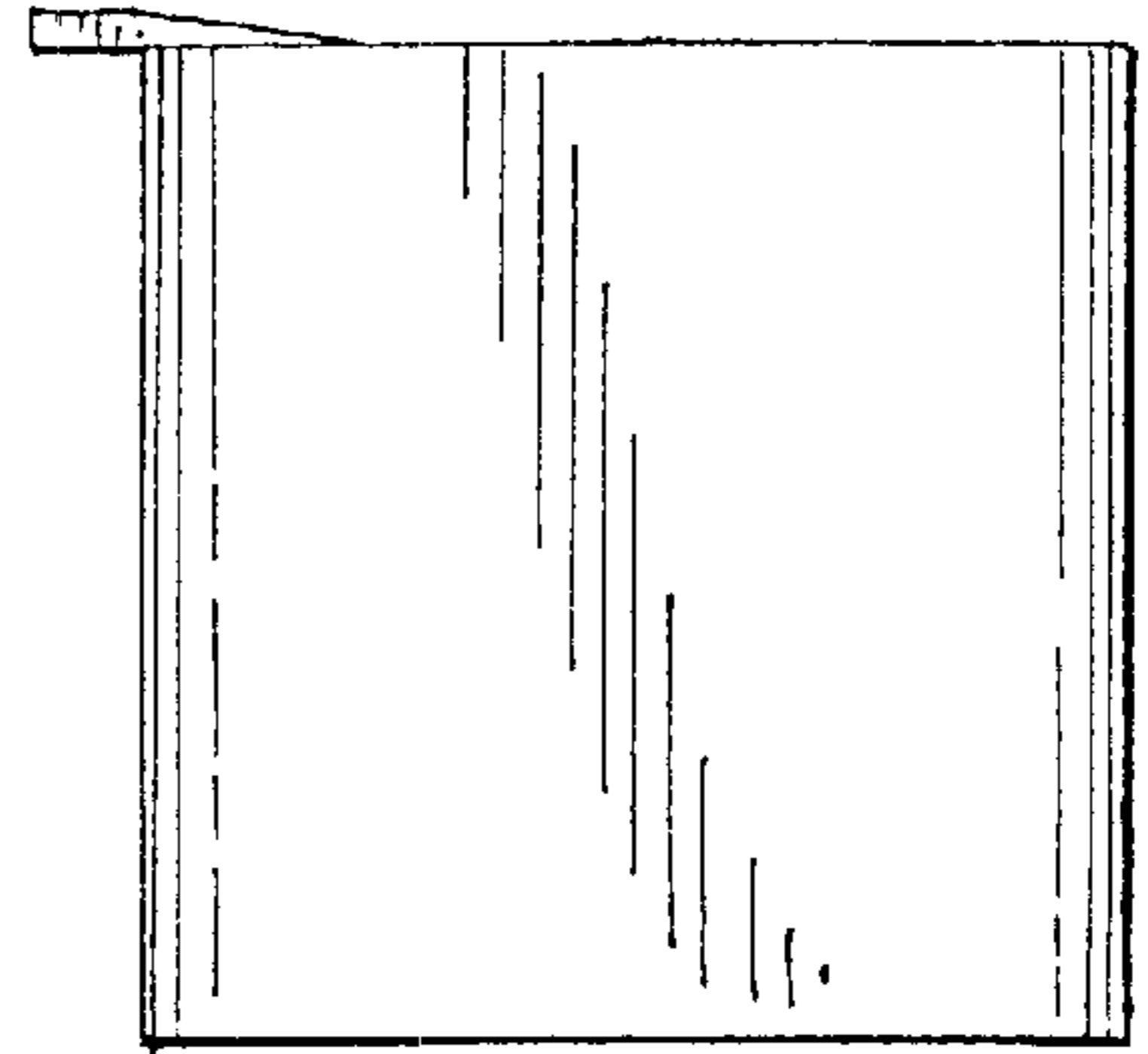


FIG. 9

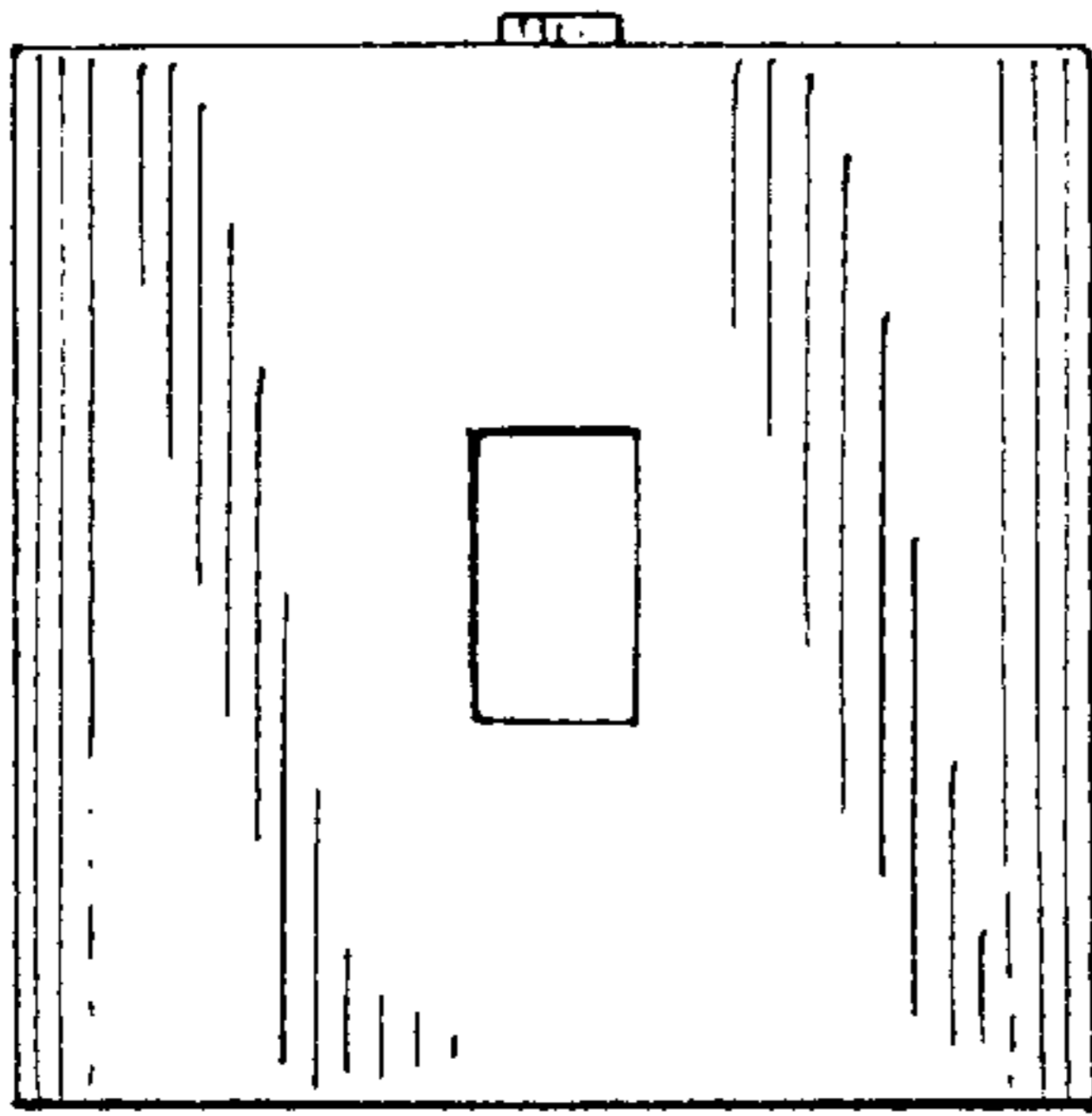


FIG. 10

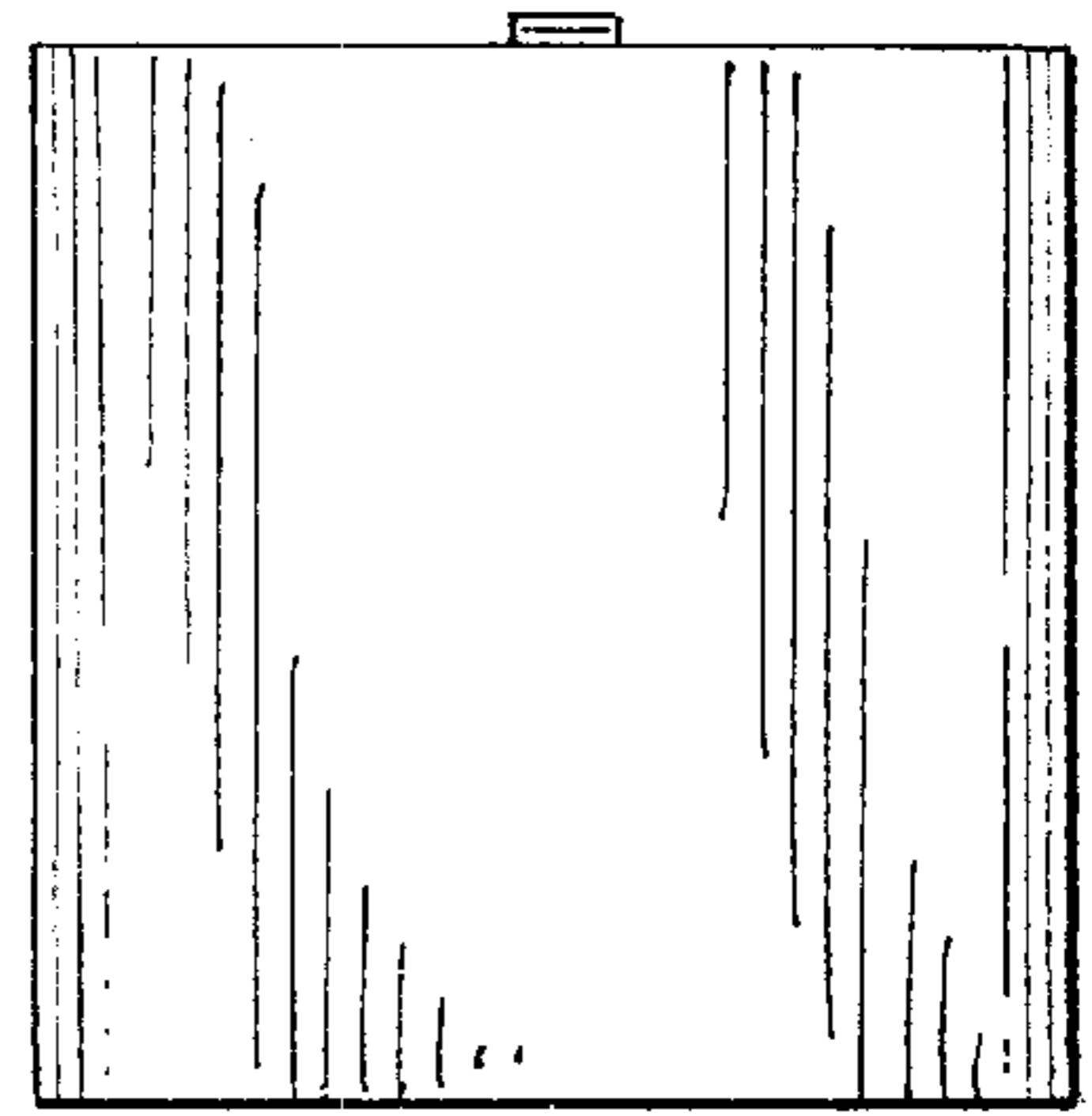


FIG. 11

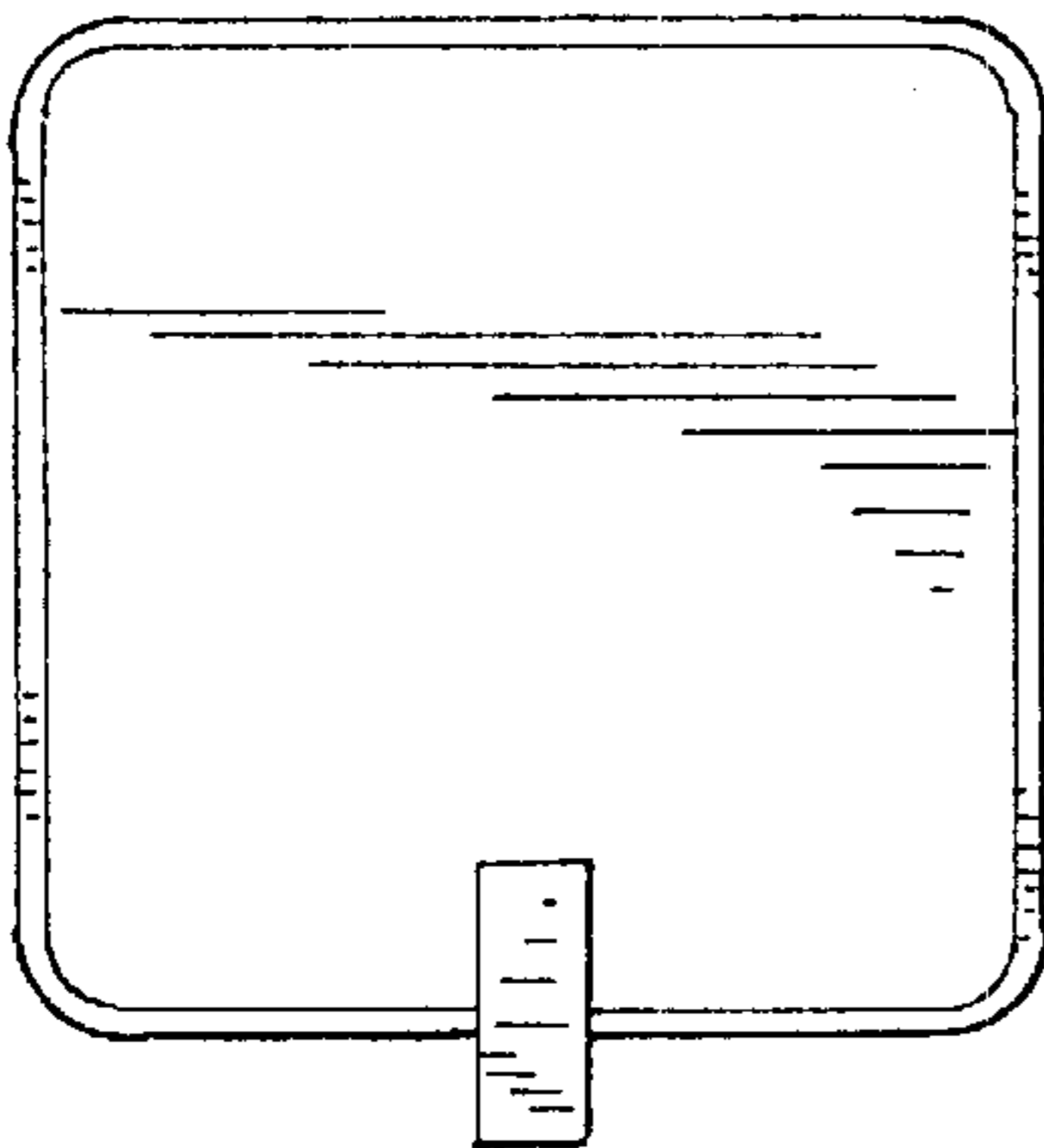


FIG. 12

