



US00D484660S

(12) **United States Design Patent**
Robbins

(10) **Patent No.:** **US D484,660 S**

(45) **Date of Patent:** **** Dec. 30, 2003**

(54) **FLEXIBLE BAG RETAINER**

(76) **Inventor:** **R. Wayne Robbins**, 2691 Guilford Way, Franklinville, NC (US) 27248

(**) **Term:** **14 Years**

(21) **Appl. No.:** **29/174,970**

(22) **Filed:** **Jan. 28, 2003**

(51) **LOC (7) Cl.** **09-09**

(52) **U.S. Cl.** **D34/6**

(58) **Field of Search** D34/1, 5, 6; 248/95, 248/97, 100, 101, 99; 383/33; D6/566; D9/434, 435, 436

(56) **References Cited**

U.S. PATENT DOCUMENTS

D229,364 S	*	11/1973	Juhlin	D34/6
4,815,866 A		3/1989	Martone		
4,867,401 A	*	9/1989	Graff	248/99
4,867,576 A	*	9/1989	Boyd	383/33
4,899,967 A	*	2/1990	Johnson	248/97
D323,296 S	*	1/1992	Schoenthaler	D9/456
5,641,138 A	*	6/1997	Cronk et al.	248/99

5,913,496 A		6/1999	Valdez		
D420,480 S	*	2/2000	Necaise	D34/6
6,086,022 A		7/2000	Dalton		
D445,550 S	*	7/2001	Wigren et al.	D34/6
D457,283 S	*	5/2002	Wayt	D34/6
6,554,810 B1	*	4/2003	Wilk et al.	604/323

* cited by examiner

Primary Examiner—Cynthia E. Ramirez

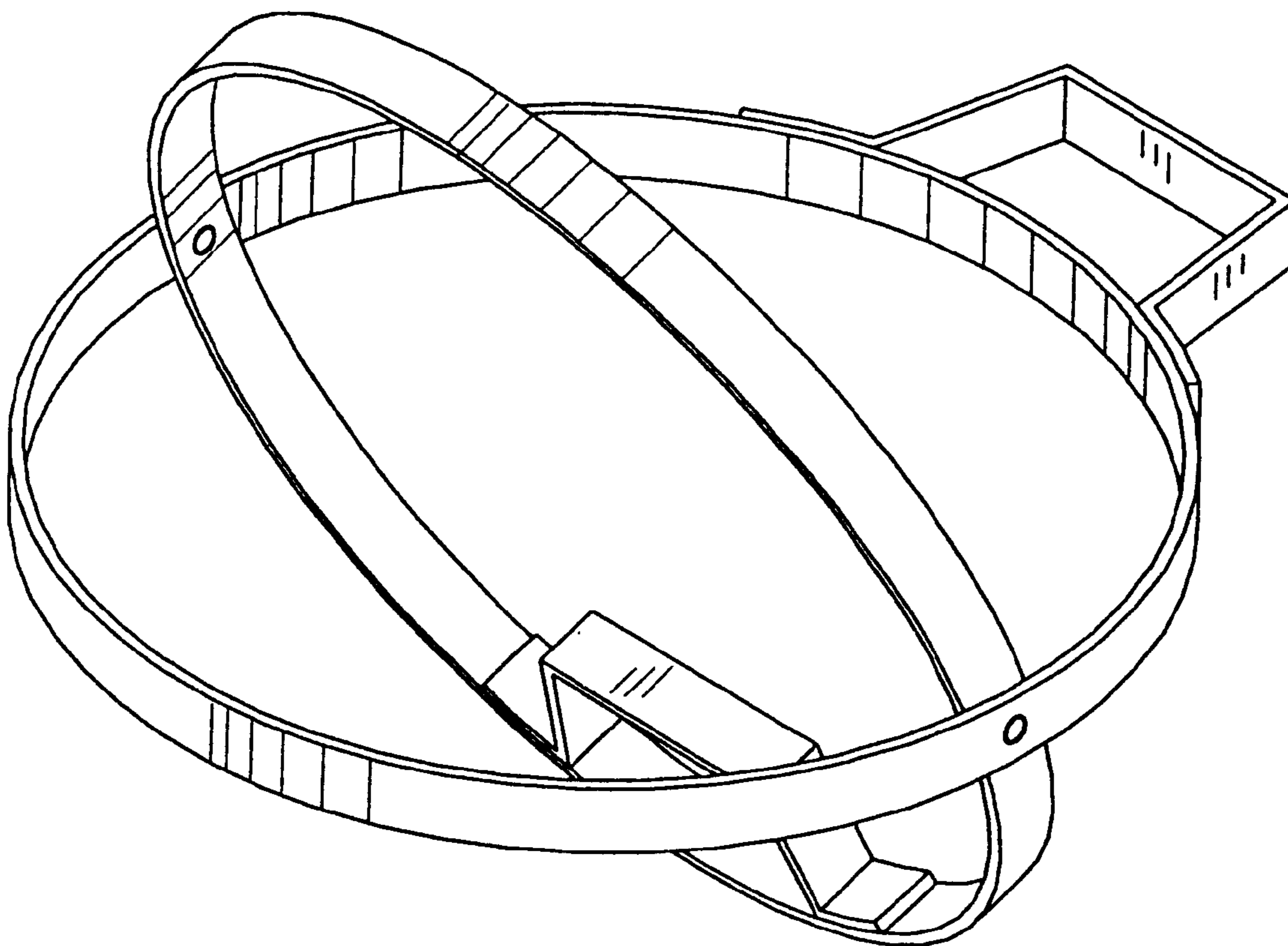
(57) **CLAIM**

The ornamental design for a flexible bag retainer, as shown and described.

DESCRIPTION

FIG. 1 is a top, front perspective view of a bag retainer embodying my design;
FIG. 2 is a right side elevational view thereof;
FIG. 3 is a left side elevational view thereof;
FIG. 4 is a front elevational view thereof;
FIG. 5 is a rear elevational view thereof;
FIG. 6 is a bottom plan view thereof; and,
FIG. 7 is a top, front perspective view thereof with the inner ring open.

1 Claim, 2 Drawing Sheets



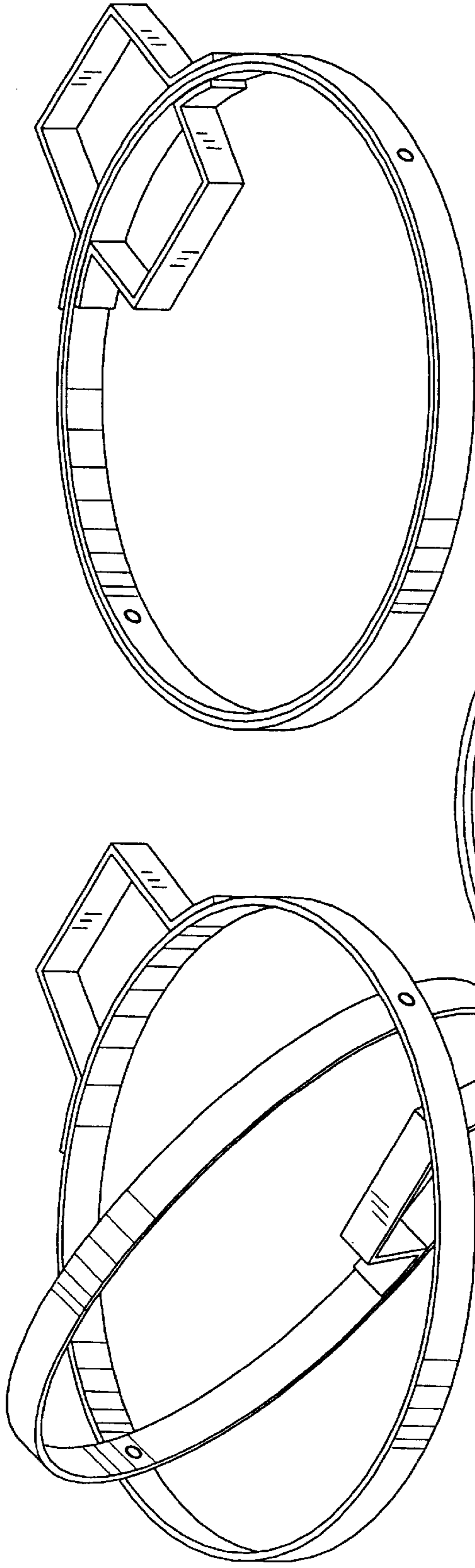


FIG. 1

FIG. 7

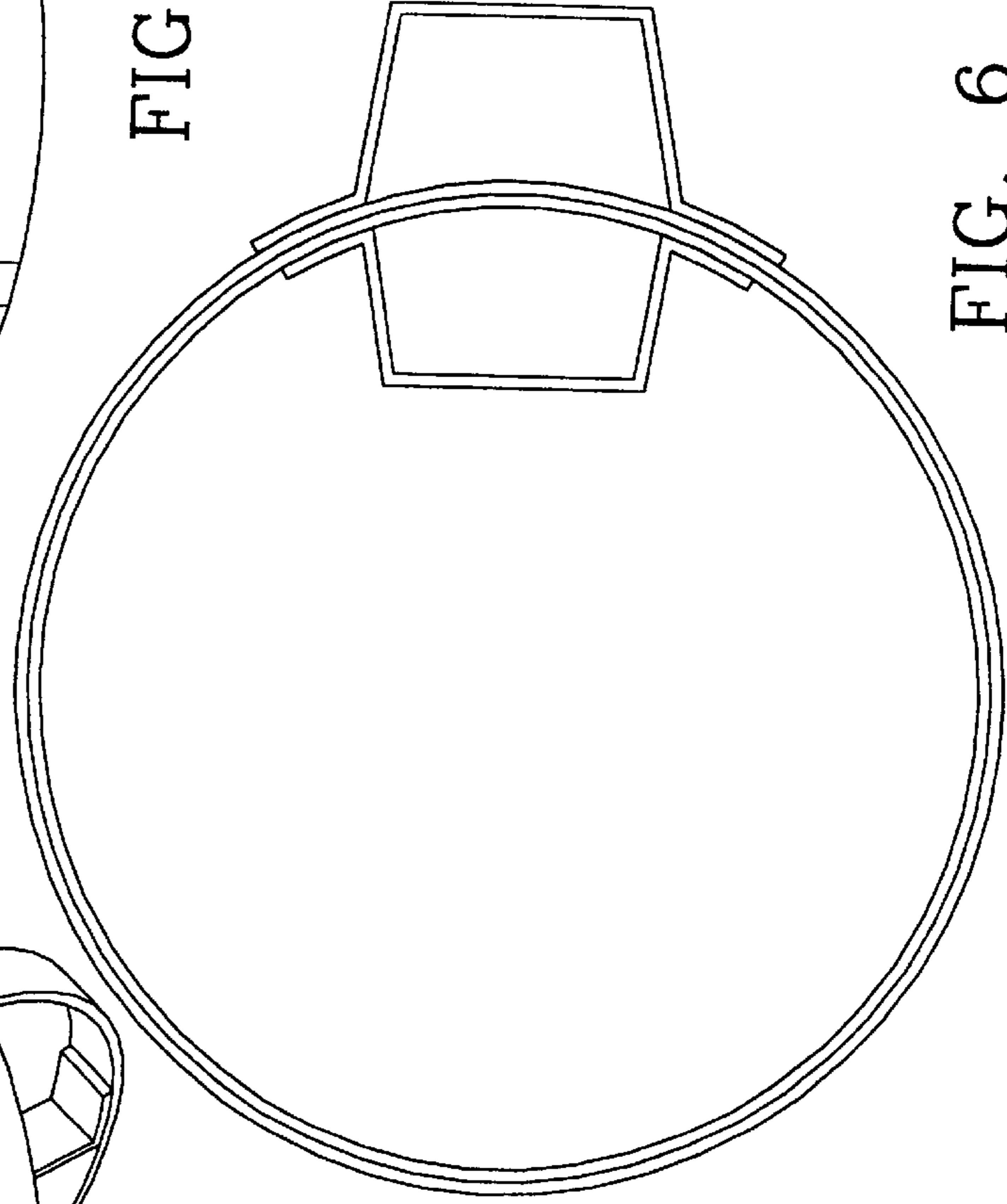


FIG. 6

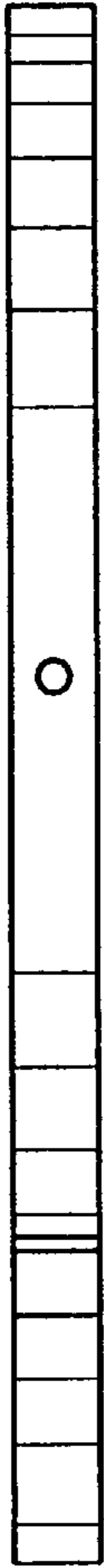


FIG. 3

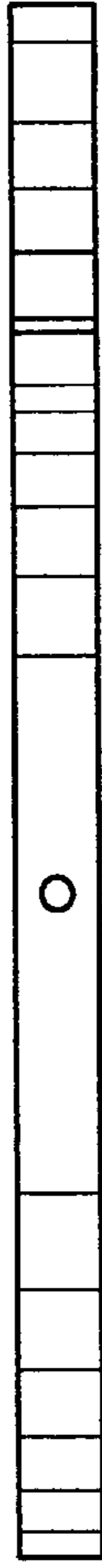


FIG. 2



FIG. 4



FIG. 5