



US00D484658S

(12) **United States Design Patent**
Schupp

(10) **Patent No.:** **US D484,658 S**

(45) **Date of Patent:** **** Dec. 30, 2003**

(54) **BOILER HOUSING GENERATING STEAM FOR STEAM IRONS**

6,212,332 B1 * 4/2001 Sham et al. 392/404
D470,637 S * 2/2003 Berthier D32/73
D470,986 S * 2/2003 Berthier D32/73

(75) Inventor: **Andreas Schupp**, Happy Valley (CN)

FOREIGN PATENT DOCUMENTS

(73) Assignee: **Koninklijke Philips Electronics N.V.**,
Eindhoven (NL)

GB 2330843 * 5/1999 D06F/75/10
WO WO-01/53596 * 7/2001 D06F/79/02

(**) Term: **14 Years**

* cited by examiner

(21) Appl. No.: **29/181,577**

Primary Examiner—Alan P. Douglas
Assistant Examiner—Lavone D. Tabor

(22) Filed: **May 13, 2003**

(74) *Attorney, Agent, or Firm*—Ernestine C. Bartlett

(30) **Foreign Application Priority Data**

(57) **CLAIM**

Nov. 19, 2002 (WO) DMA/005 933

The ornamental design for a boiler housing generating steam for steam irons, as shown.

(51) **LOC (7) Cl.** **07-05**

DESCRIPTION

(52) **U.S. Cl.** **D32/73**

(58) **Field of Search** D32/68-71, 73;
38/75, 77.1, 77.83, 77.9, 79, 142; 219/245,
247, 259; 248/117.1, 117.2, 117.3; 392/324,
333, 394, 399, 403-405

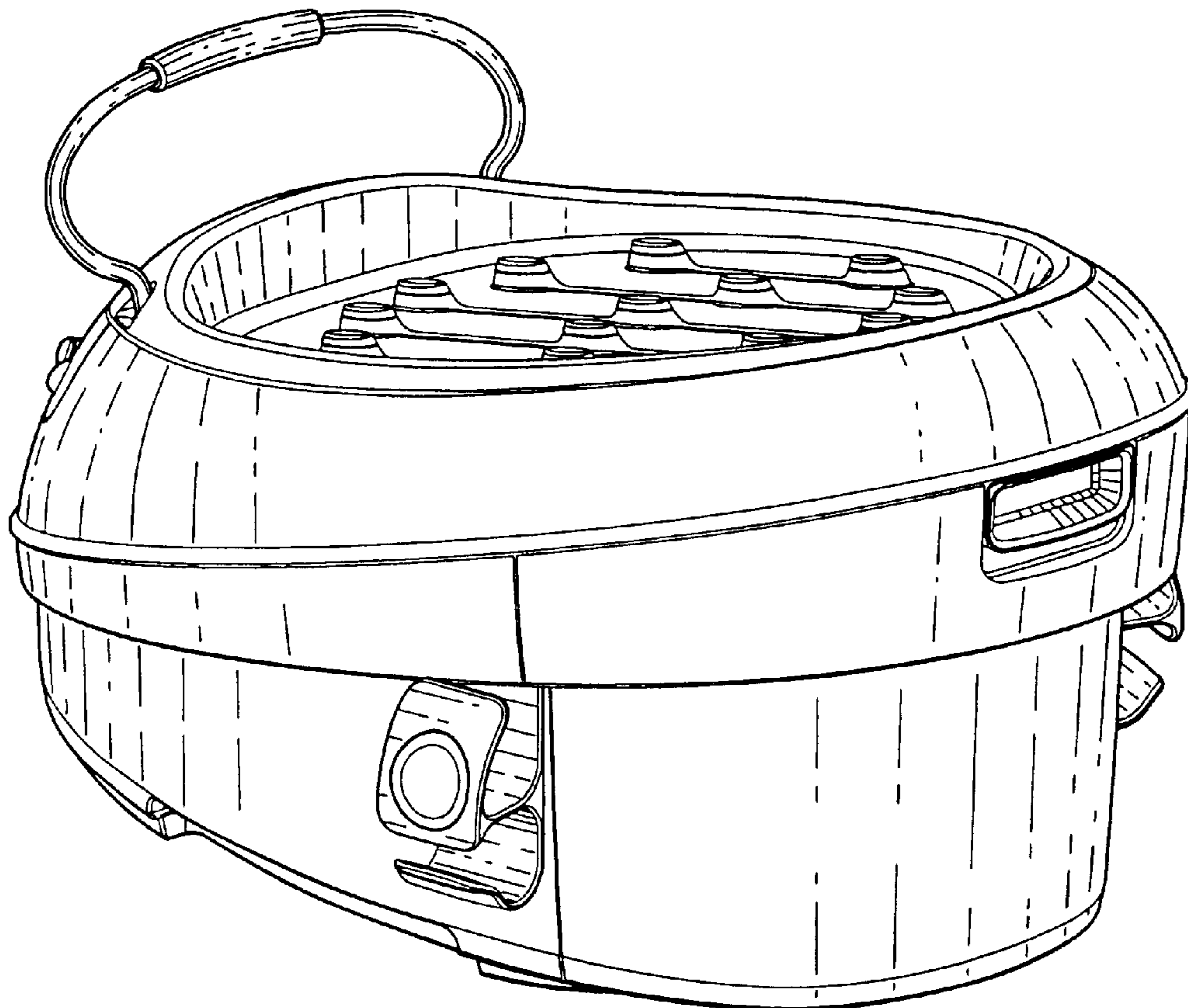
FIG. 1 is a perspective view showing my design;
FIG. 2 is a front elevational view thereof;
FIG. 3 is a rear elevational view thereof;
FIG. 4 is a left side elevational view thereof;
FIG. 5 is a right side elevational view thereof;
FIG. 6 is a top plan view thereof; and,
FIG. 7 is a bottom plan view thereof.

(56) **References Cited**

U.S. PATENT DOCUMENTS

2,595,243 A * 5/1952 Gordon 219/247
D388,921 S * 1/1998 Doria D32/73

1 Claim, 5 Drawing Sheets



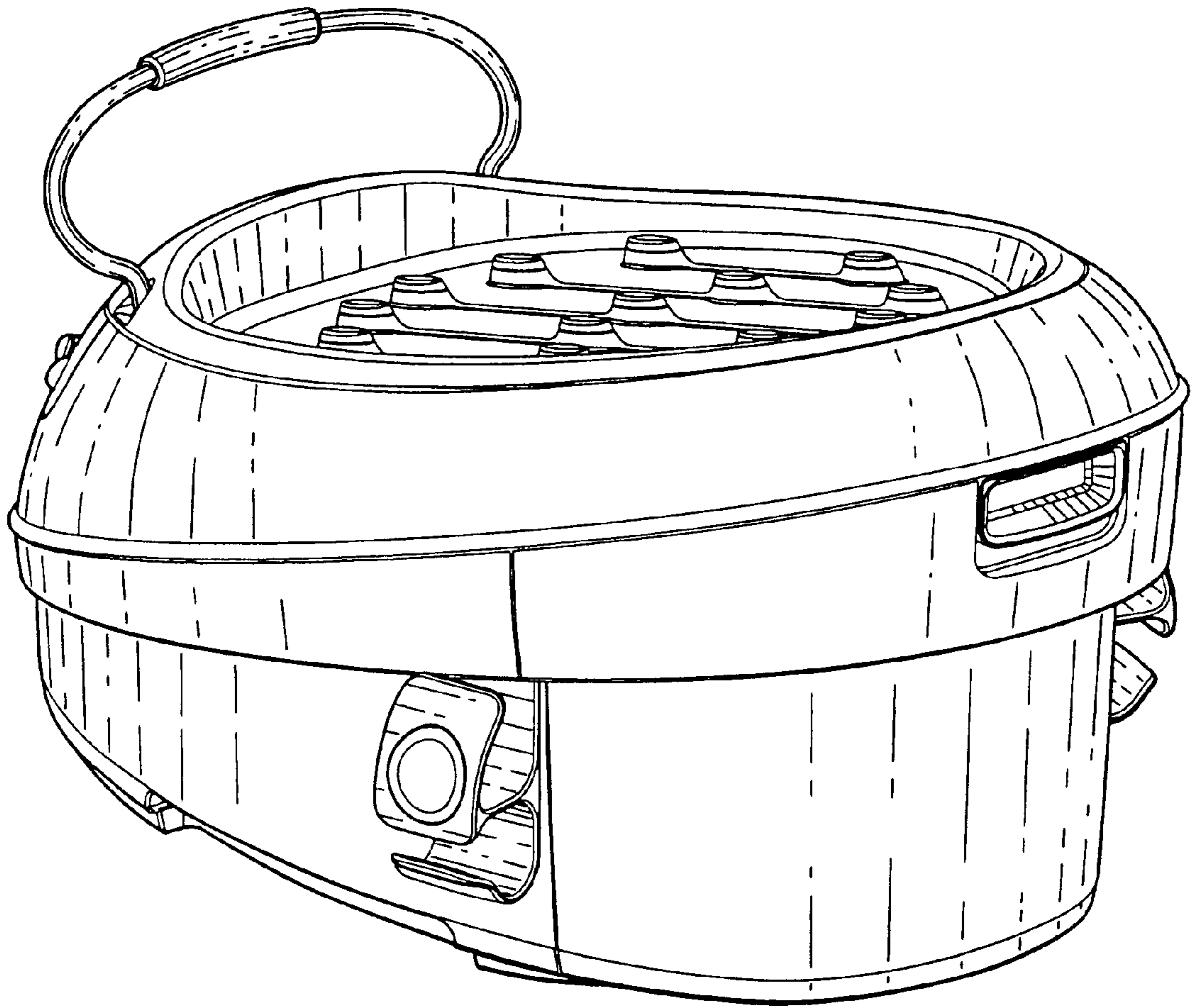


FIG. 1

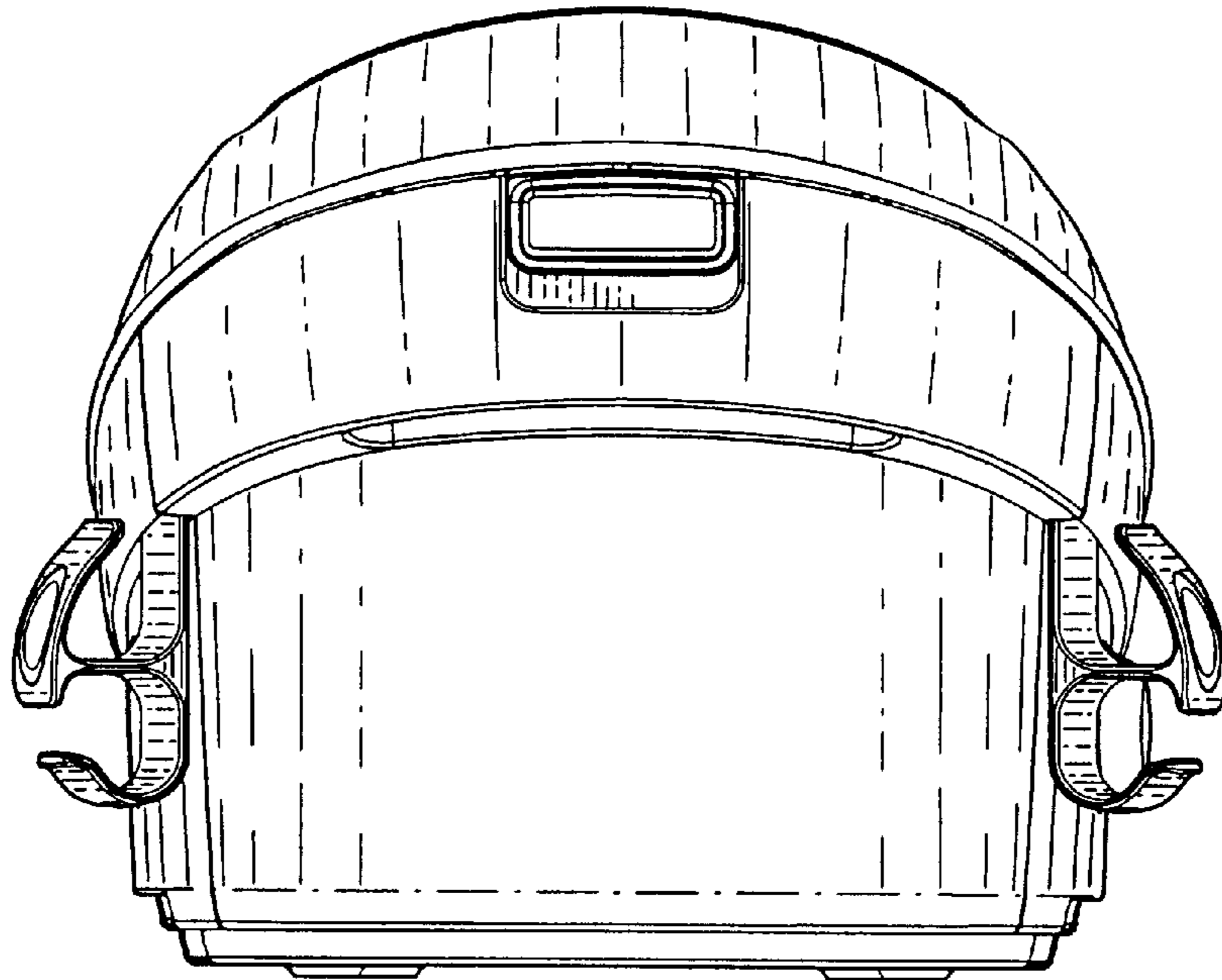


FIG. 2

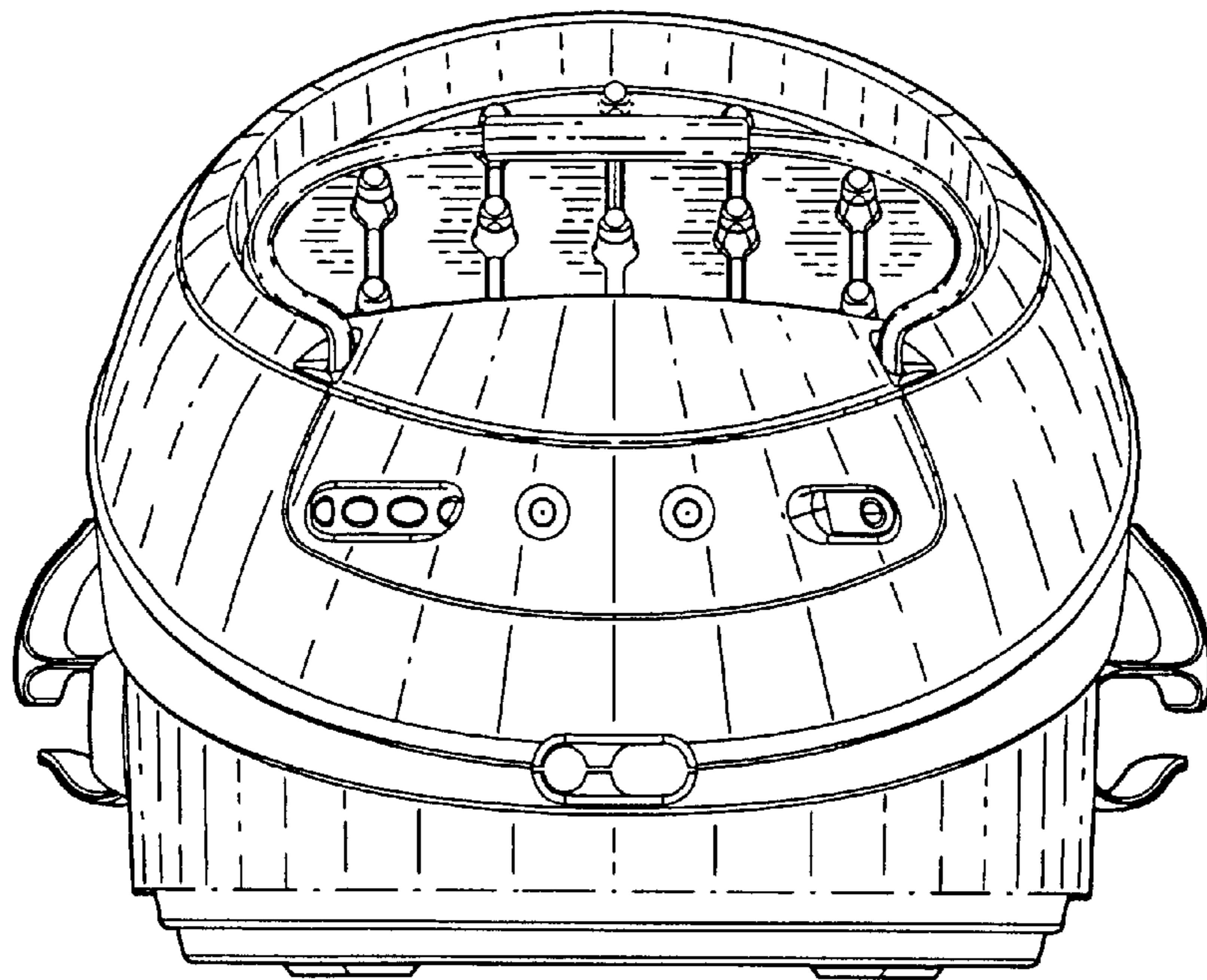


FIG. 3

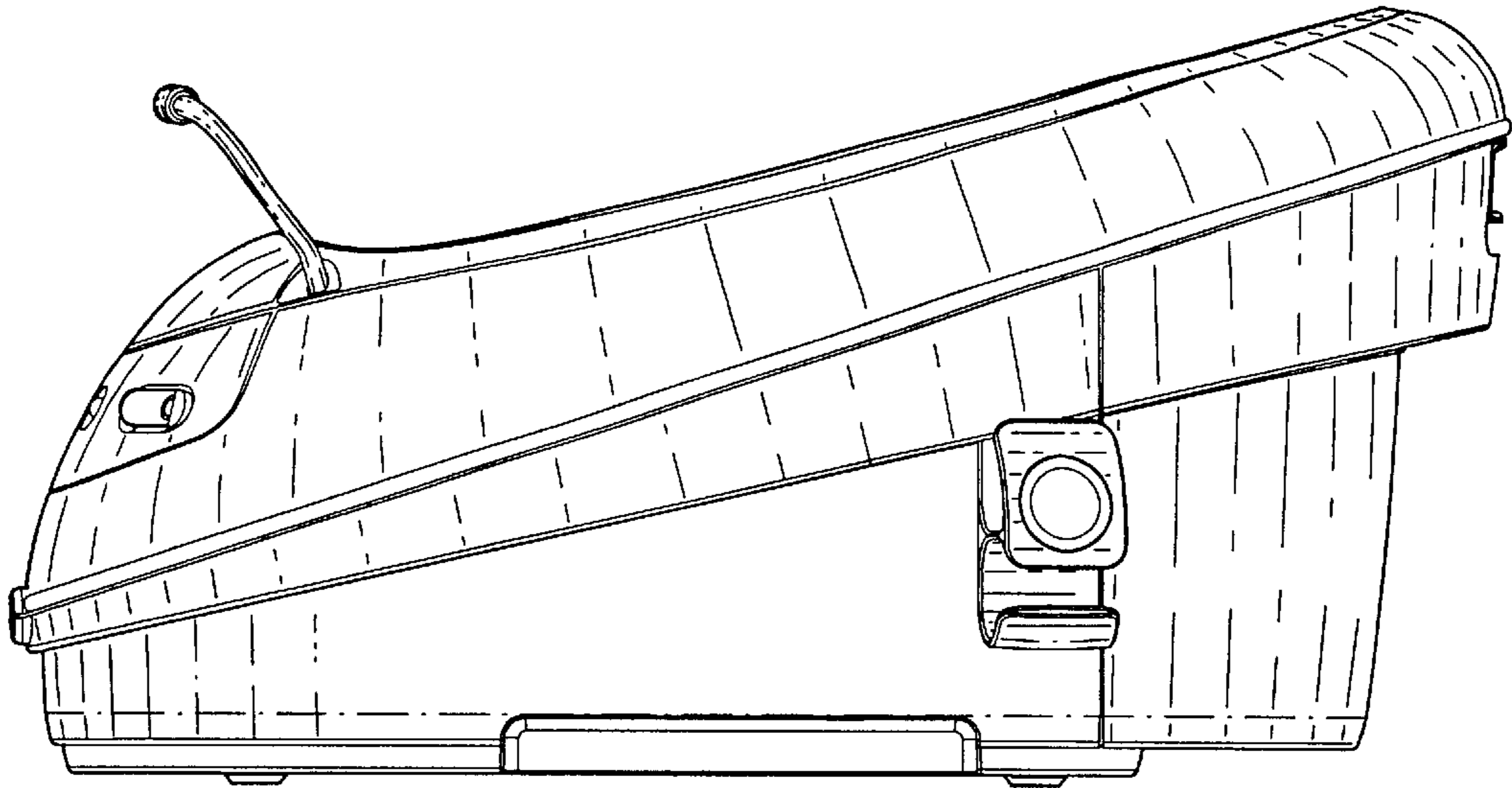


FIG. 4

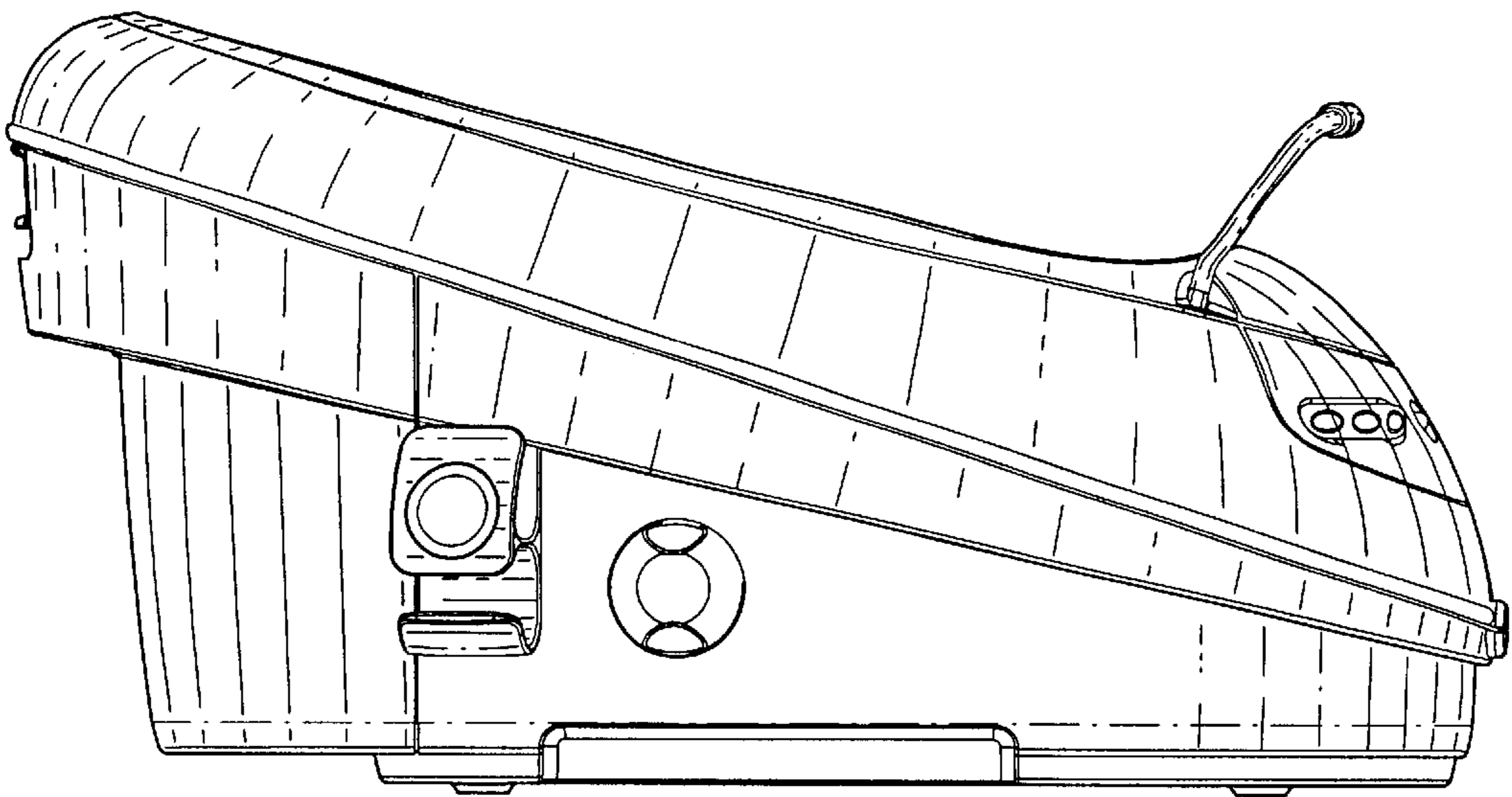


FIG. 5

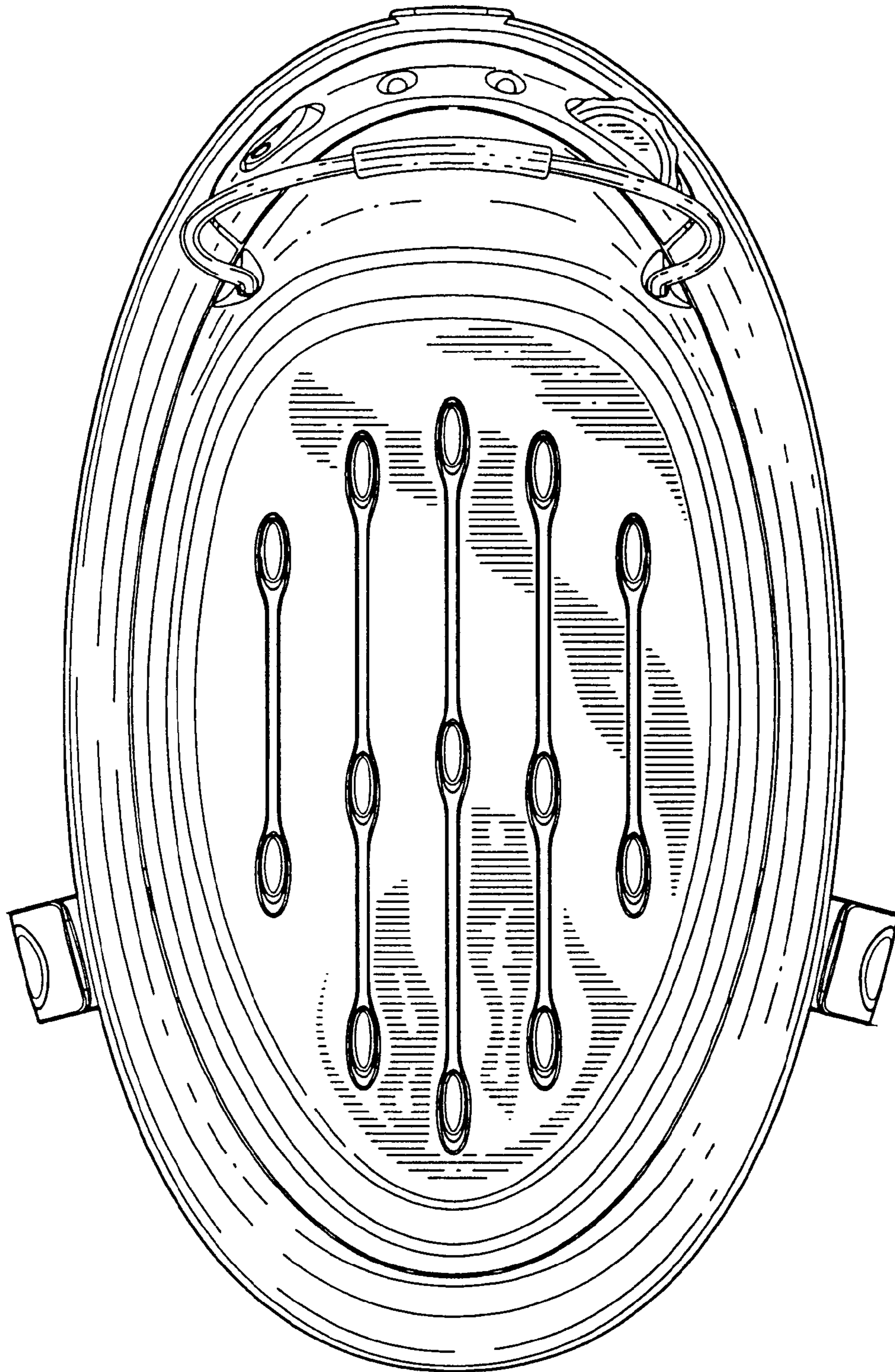


FIG. 6

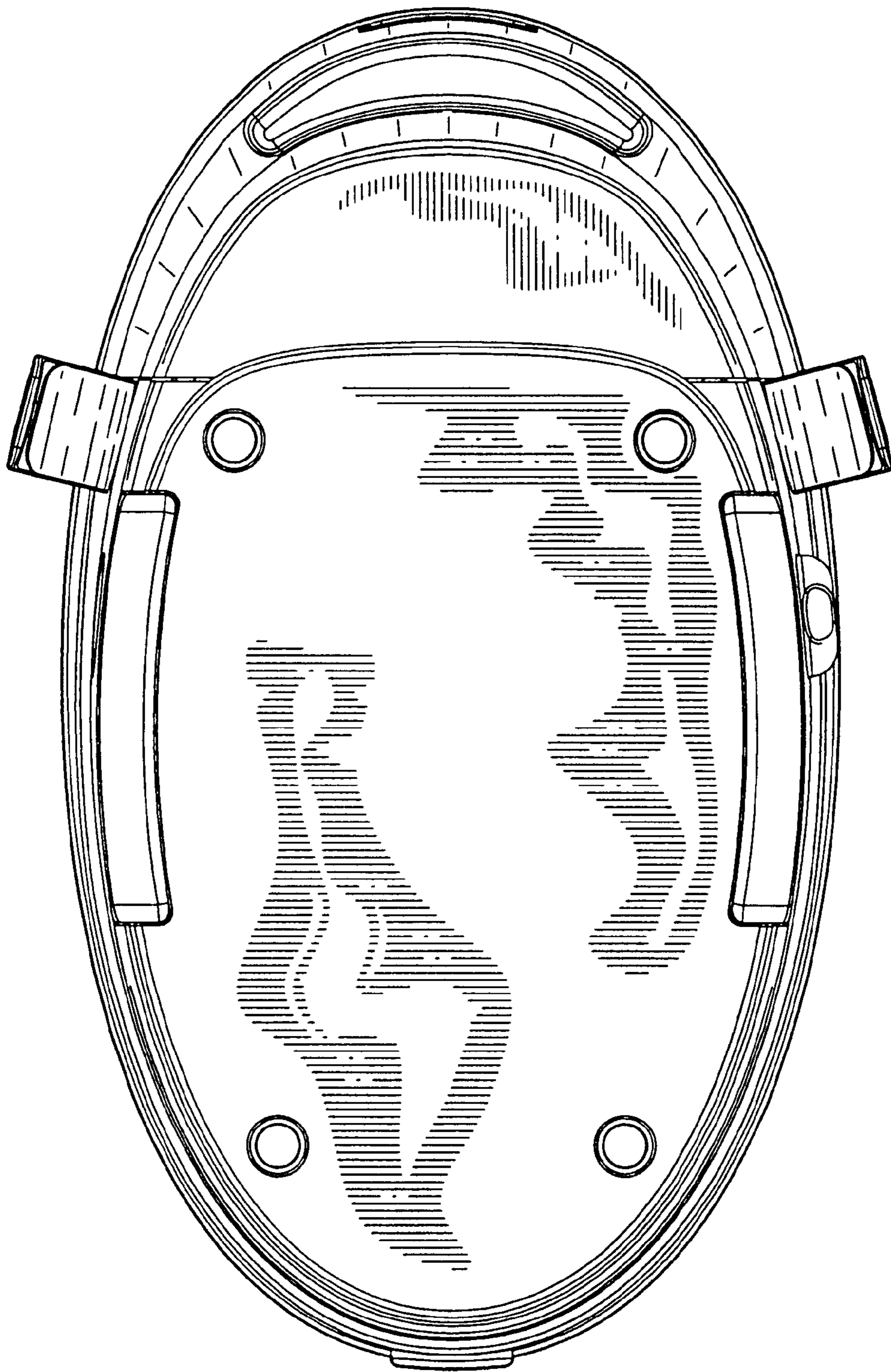


FIG. 7