



US00D484646S

(12) **United States Design Patent**
Ditrichstein

(10) **Patent No.:** **US D484,646 S**

(45) **Date of Patent:** **** Dec. 30, 2003**

(54) **COSMETIC COMPACT**

(75) Inventor: **Vincent Ditrichstein, Paris (FR)**

(73) Assignee: **Estee Lauder Cosmetics Ltd,**
Agincourt (CA)

(**) Term: **14 Years**

(21) Appl. No.: **29/163,031**

(22) Filed: **Jun. 25, 2002**

(51) **LOC (7) Cl.** **28-02**

(52) **U.S. Cl.** **D28/83**

(58) **Field of Search** D28/76-91; D9/418,
D9/420, 423, 560, 529; 132/286-318; 206/235,
581, 823; 220/DIG. 26

(56) **References Cited**

U.S. PATENT DOCUMENTS

D244,122 S	*	4/1977	Shiffman	D9/423
D244,123 S	*	4/1977	Shiffman	D9/423
D254,720 S	*	4/1980	Schuander	D9/423
D259,173 S	*	5/1981	Lauren	D9/560
D259,398 S	*	6/1981	Shiffman	D9/423
D271,180 S	*	11/1983	Runyon	D9/529 X
D280,353 S	*	8/1985	Buchet	D28/78
D309,043 S	*	7/1990	Bakic	D28/78
6,352,171 B2	*	3/2002	Leboucher	132/293 X
D459,553 S	*	6/2002	Bak	D28/85
D460,216 S	*	7/2002	Hong	D28/76

OTHER PUBLICATIONS

Cosmetic/Personal Care Packaging; Jan./Feb. 2002; p. 86,
see photo above title: "Square Containers".

Cosmetic Magazine; Apr., 2002; see photo under heading
Juvena > Soins perles.

"Frost Bites" package by Prestige Cosmetics Dist.; photo-
copies of all six sides; package purchased Jul., 2002.

* cited by examiner

Primary Examiner—Philip S. Hyder

Assistant Examiner—C Tuttle

(74) *Attorney, Agent, or Firm*—Peter Giancana; Martin
Haerter

(57) **CLAIM**

The ornamental design for a cosmetic compact, as shown.

DESCRIPTION

FIG. 1 is a top, front and left side perspective view of my
new design for a cosmetic compact;

FIG. 2 is a front elevation view thereof;

FIG. 3 is a left side elevation view thereof, a right side
elevation view being a mirror image thereof;

FIG. 4 is a rear elevation view thereof;

FIG. 5 is a top plan view thereof;

FIG. 6 is a bottom plan view thereof;

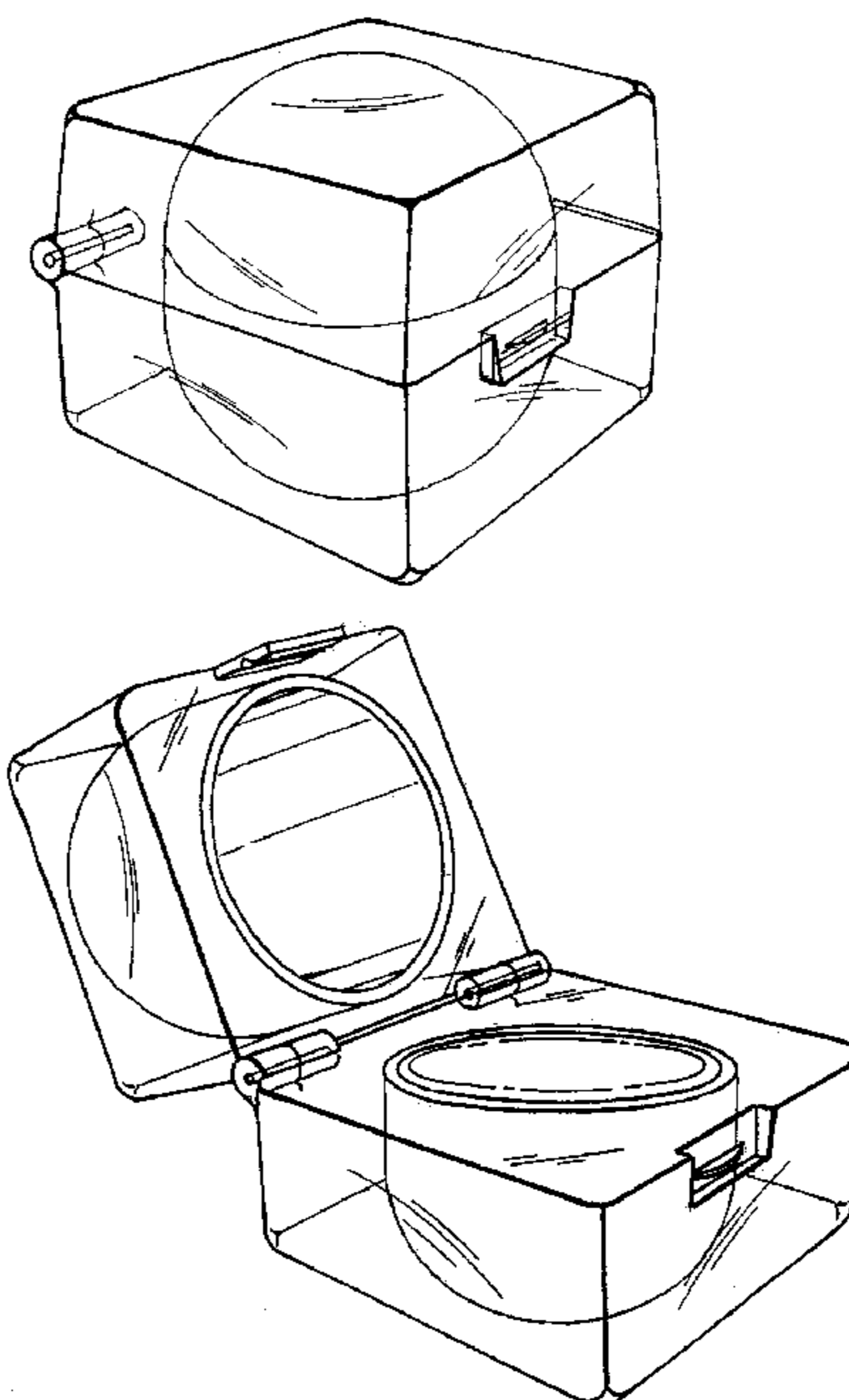
FIG. 7 is a front and left side perspective view thereof, with
the container lid in an opened position;

FIG. 8 is a cross sectional view taken along line 8—8 of FIG.
5; and,

FIG. 9 is a cross sectional view taken along line 9—9 of FIG.
5.

The broken line in FIG. 7 is for illustrative purposes only
and forms no part of the claimed design.

1 Claim, 2 Drawing Sheets



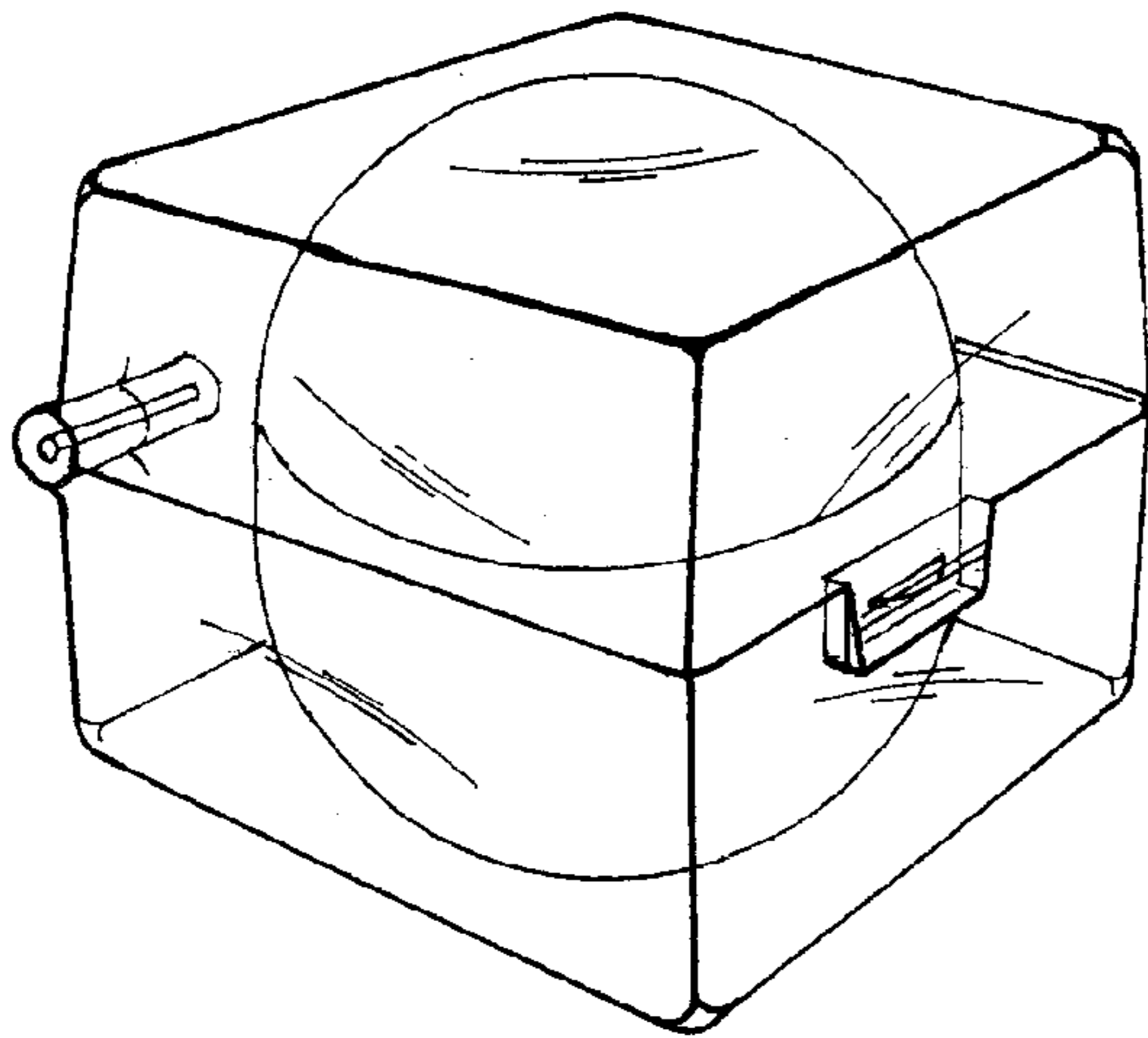


FIG. 1

FIG. 2

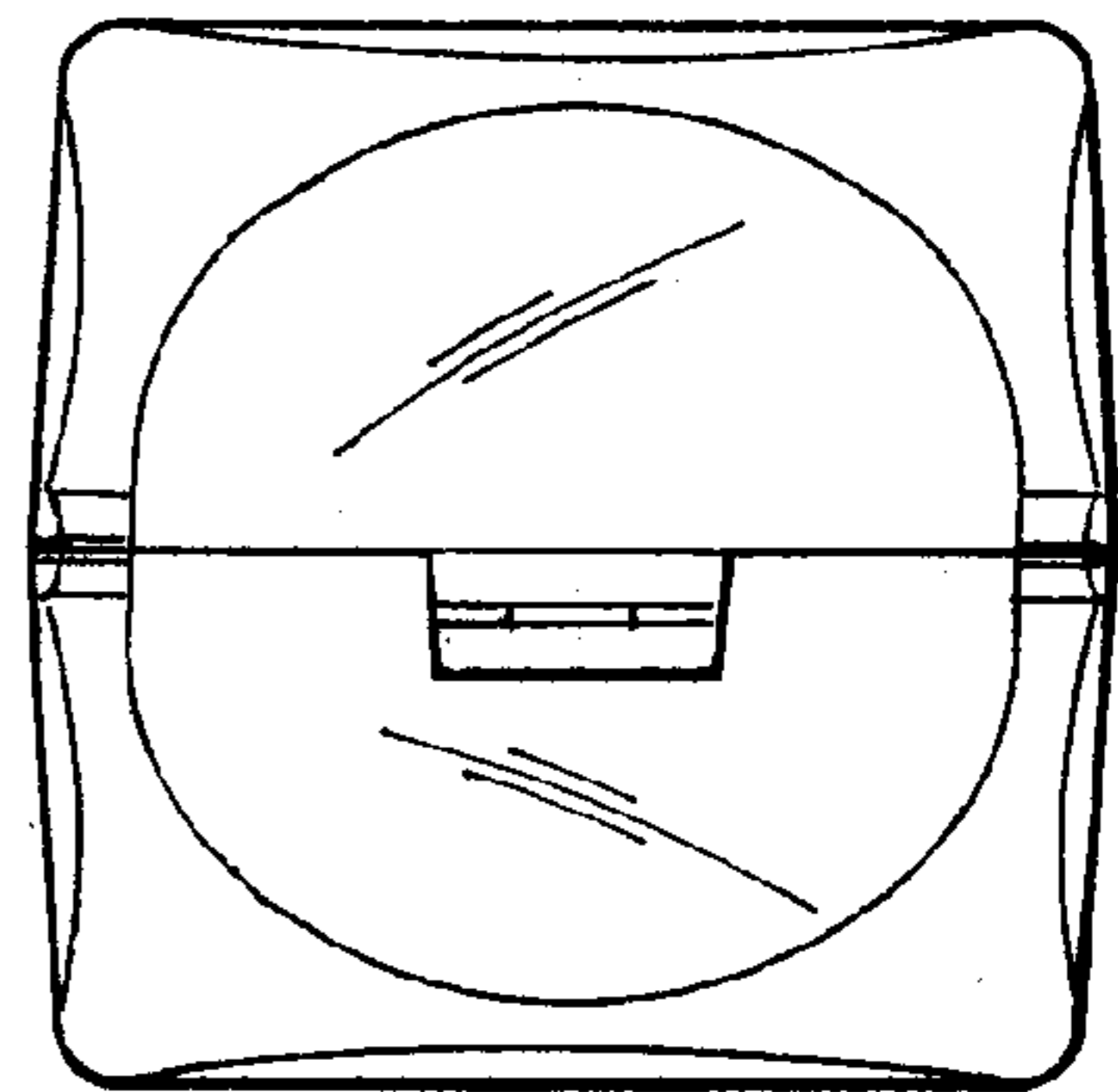


FIG. 3

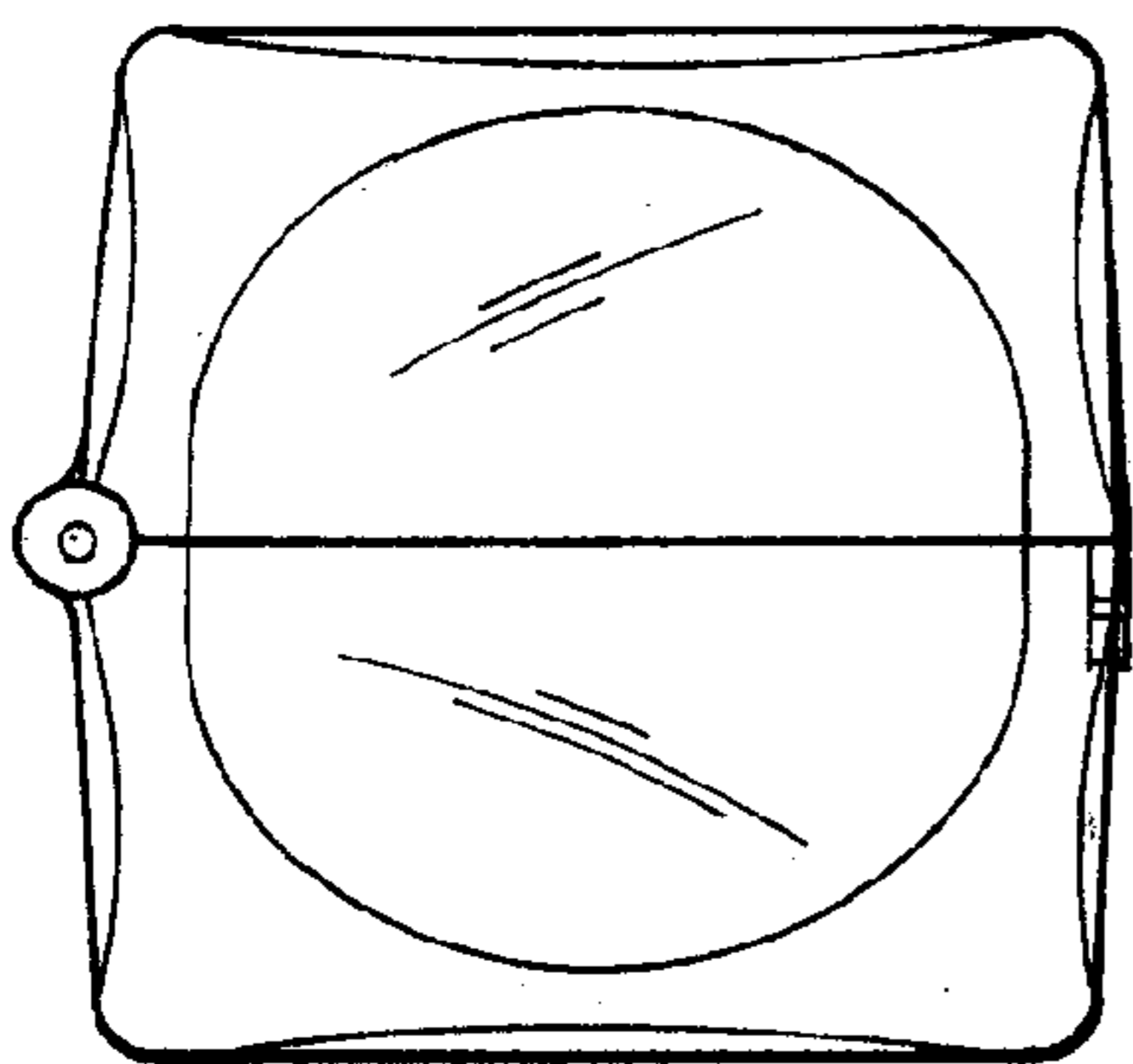


FIG. 4

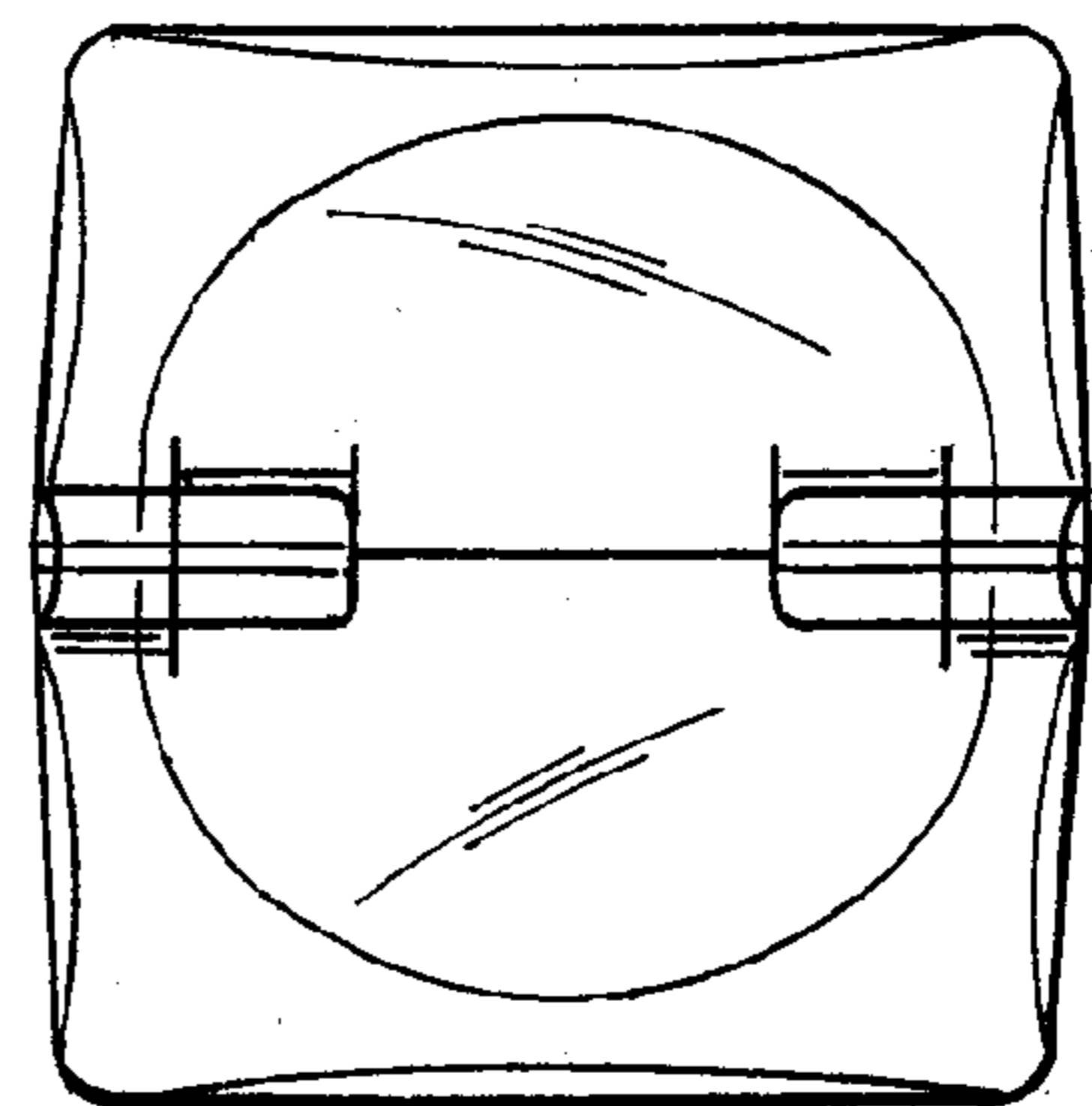


FIG. 5

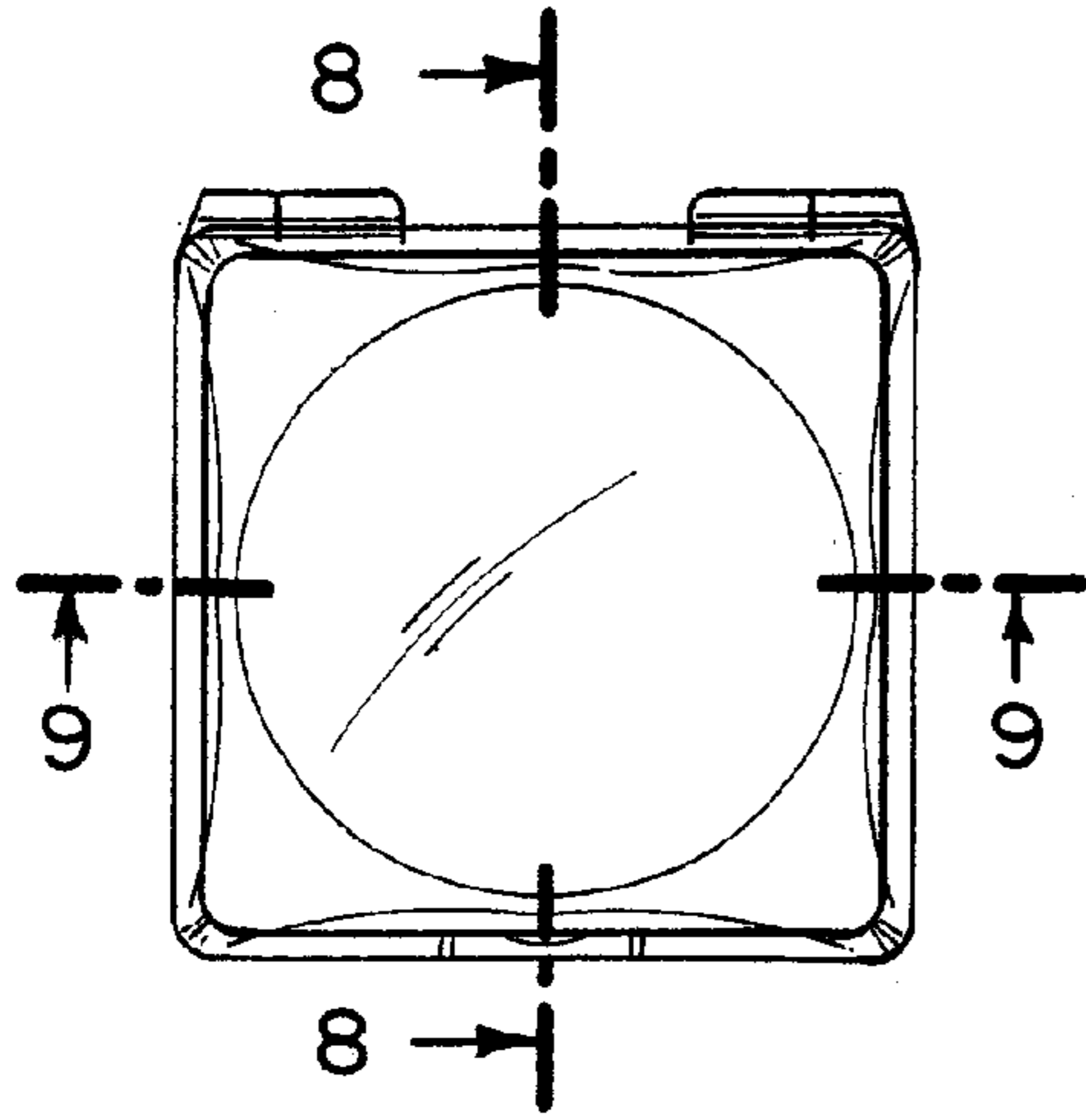


FIG. 6

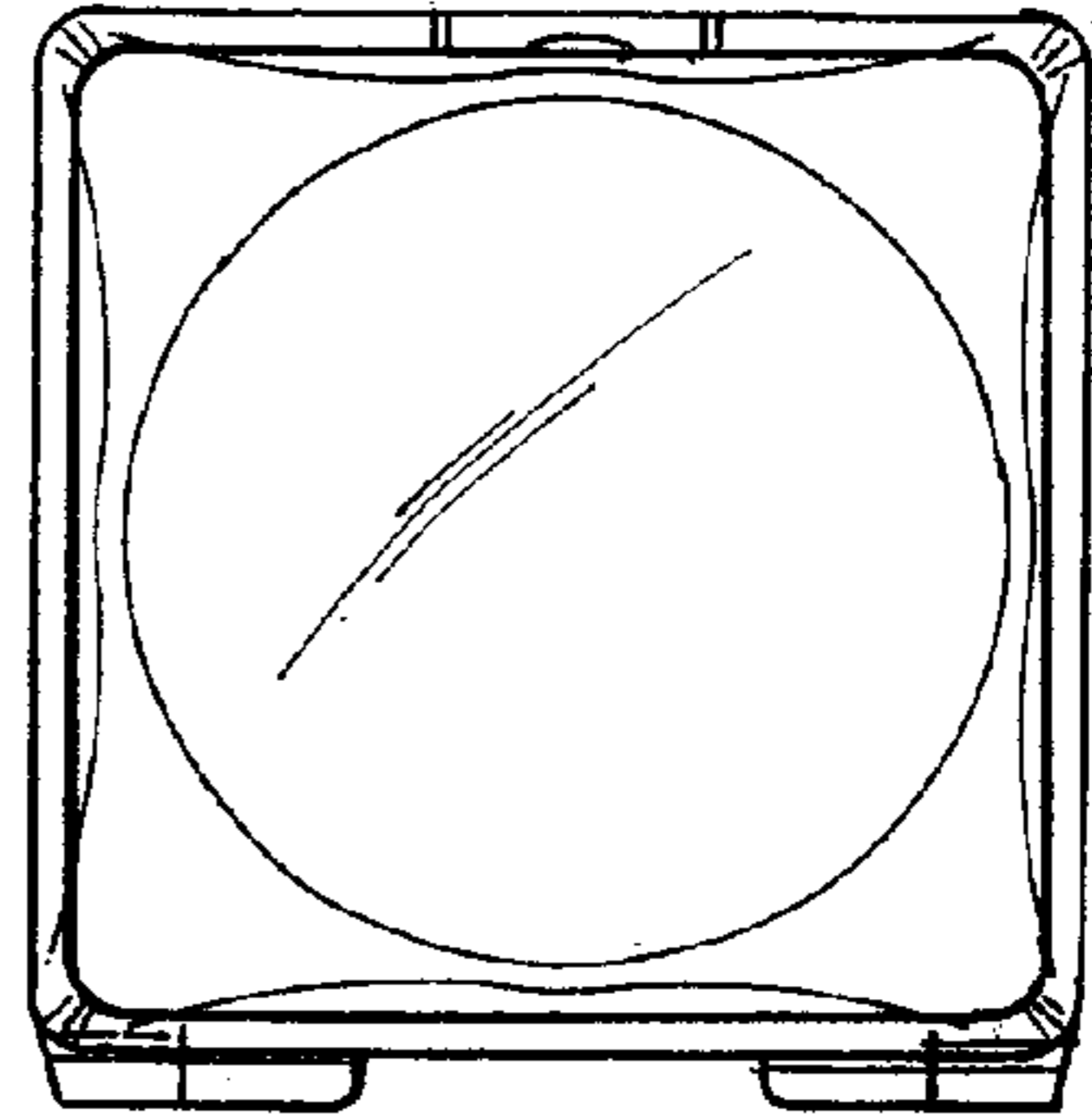


FIG. 8

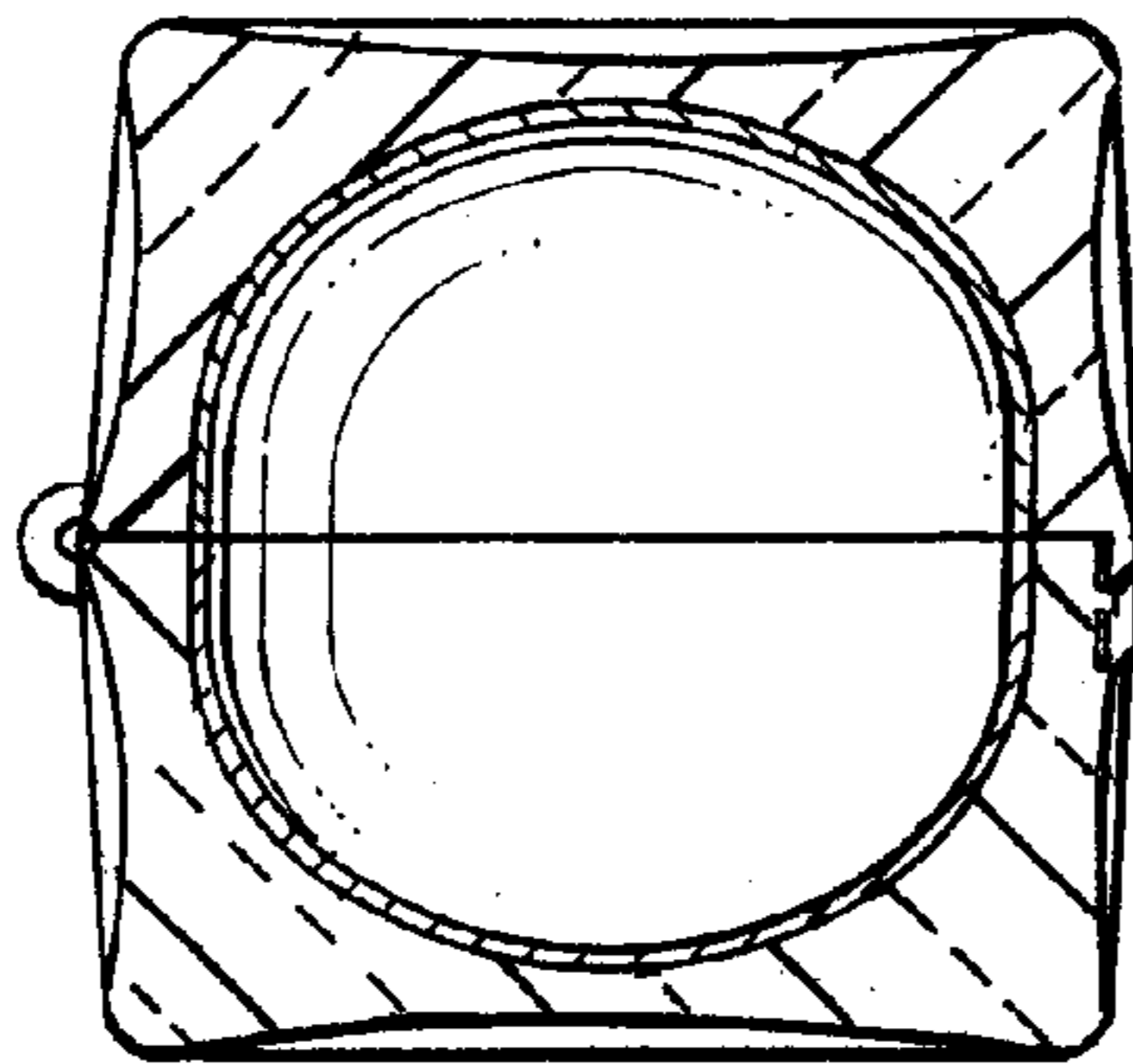


FIG. 9

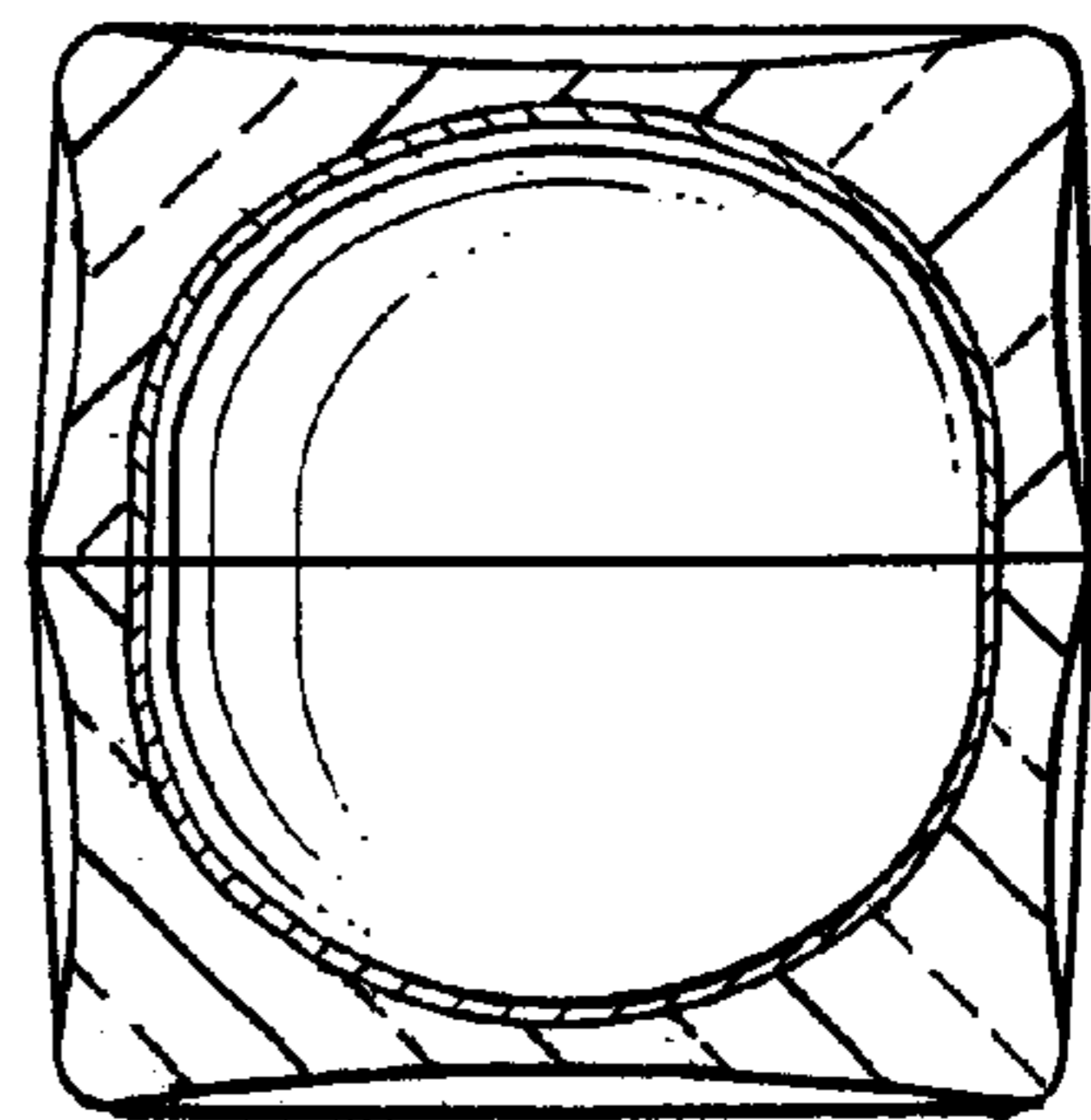


FIG. 7

