



US00D484644S

(12) **United States Design Patent**
Noh

(10) **Patent No.:** **US D484,644 S**

(45) **Date of Patent:** **** Dec. 30, 2003**

(54) **COSMETIC CONTAINER**

(75) Inventor: **Byong Hoo Noh**, Seoul (KR)

(73) Assignee: **Sunghansponge Co. Ltd.**, Gyunggi-Do (KR)

(**) Term: **14 Years**

(21) Appl. No.: **29/180,029**

(22) Filed: **Apr. 18, 2003**

(51) **LOC (7) Cl.** **28-03**

(52) **U.S. Cl.** **D28/76**

(58) **Field of Search** D28/76-79, 81,
D28/82, 85, 88, 89, 7, 8; 401/130, 266;
132/293-307, 314-316, 317, 318

(56) **References Cited**

U.S. PATENT DOCUMENTS

D233,879 S	*	12/1974	Howard	D28/7
D274,848 S	*	7/1984	Chevassus	D28/76
D346,040 S	*	4/1994	Andregg	D28/7
D413,799 S	*	9/1999	Schlatter	D28/76
6,047,710 A	*	4/2000	Irving et al.	132/293
D424,750 S	*	5/2000	Zalzal	D28/76
D470,273 S	*	2/2003	Revivo	D28/76
D471,321 S	*	3/2003	Lai	D28/82
D473,345 S	*	4/2003	Thorpe	D28/82

* cited by examiner

Primary Examiner—Jennifer Rivard

(74) *Attorney, Agent, or Firm*—Birch, Stewart, Kolasch & Birch, LLP

(57) **CLAIM**

The ornamental design for a cosmetic container, substantially as shown and described.

DESCRIPTION

FIG. 1 is a perspective view of a cosmetic container showing my new design;

FIG. 2 is a side elevational view thereof;

FIG. 3 is a top plan view thereof;

FIG. 4 is a bottom plan view thereof;

FIG. 5 is an exploded perspective view thereof in an open state;

FIG. 6 is a side elevational view of the bottom of the container thereof;

FIG. 7 is a top plan view of the bottom of the container thereof;

FIG. 8 is a side elevational view of the cap thereof; and,

FIG. 9 is a bottom plan view of the cap thereof.

The bottom and cap of the cosmetic container are disclosed separately for convenience of illustration.

1 Claim, 2 Drawing Sheets

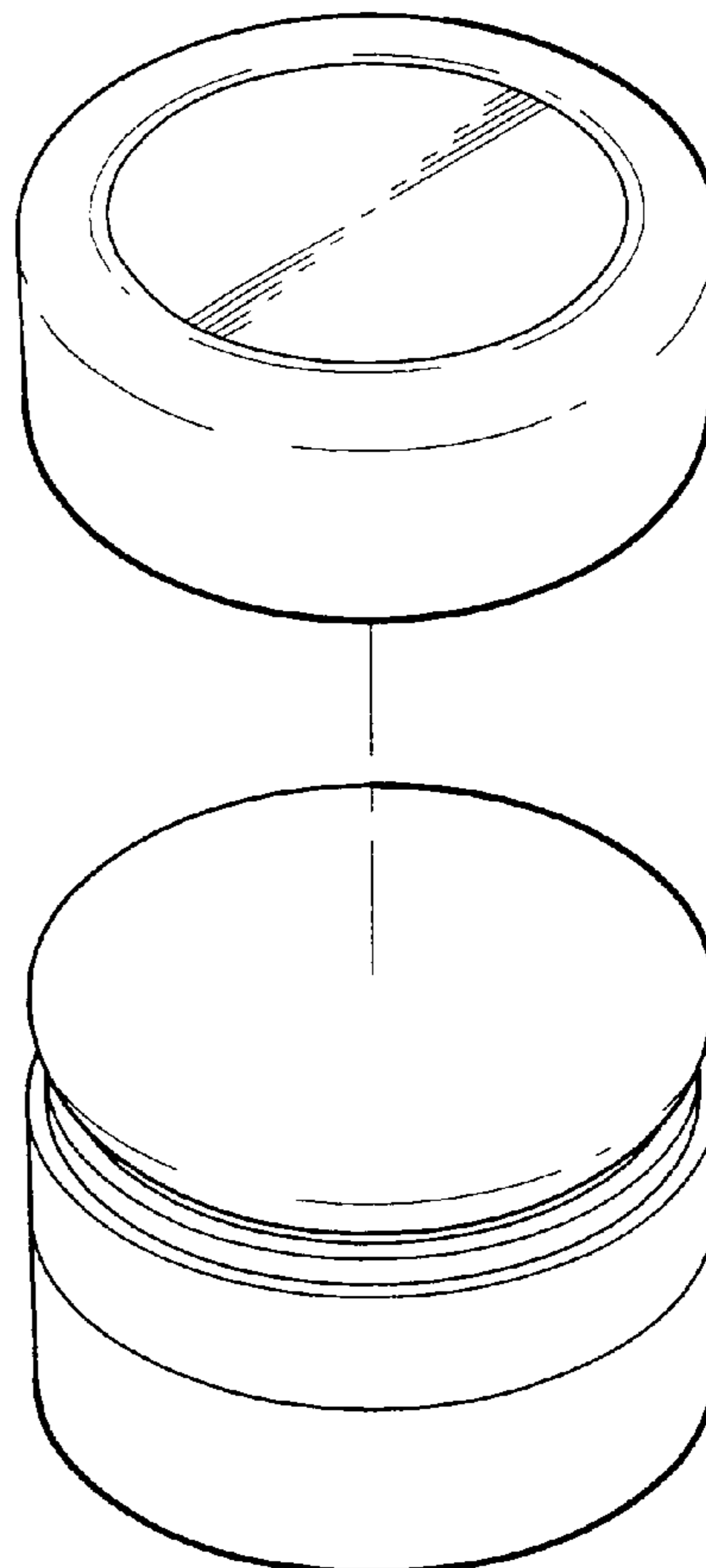
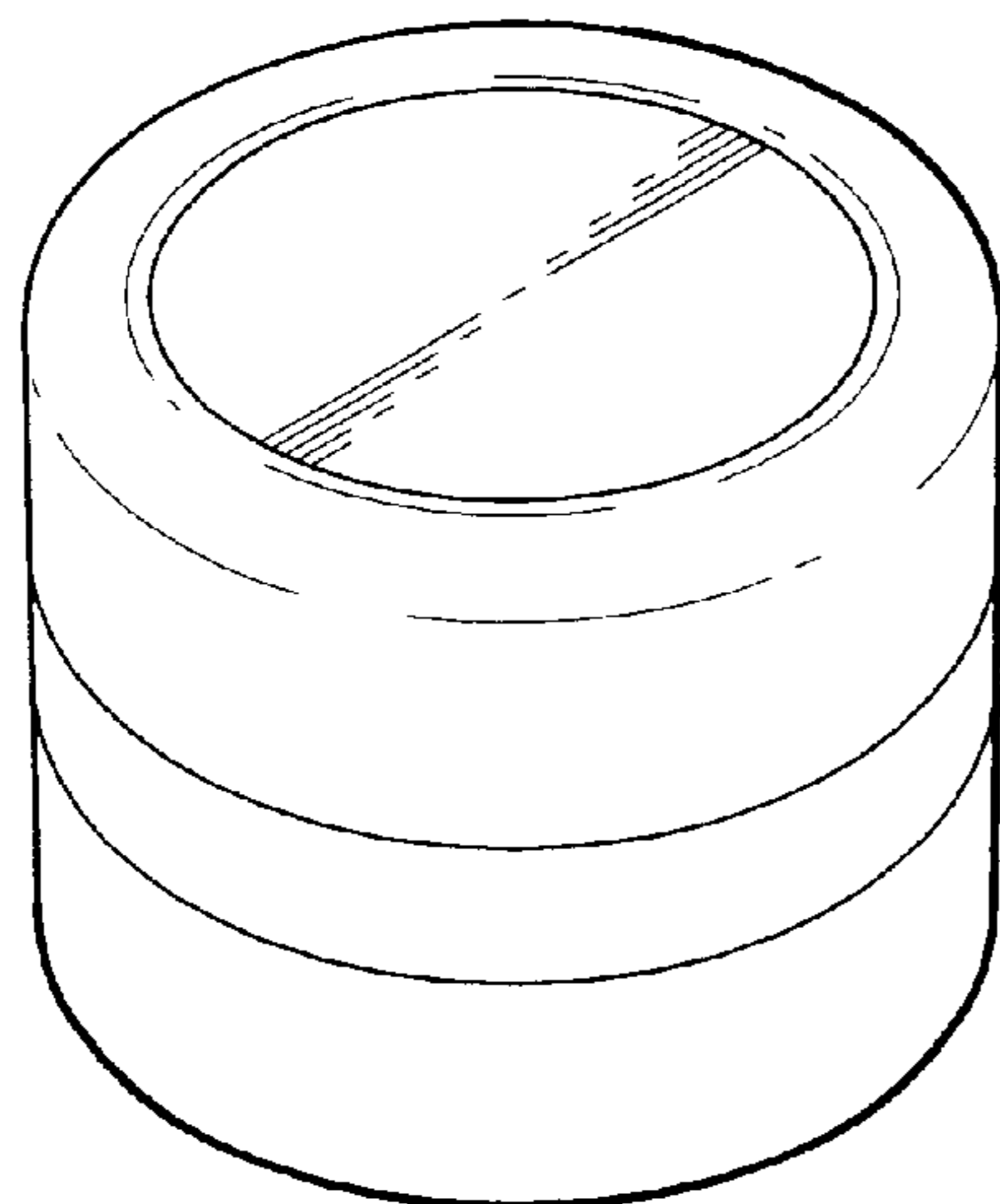


FIG.1

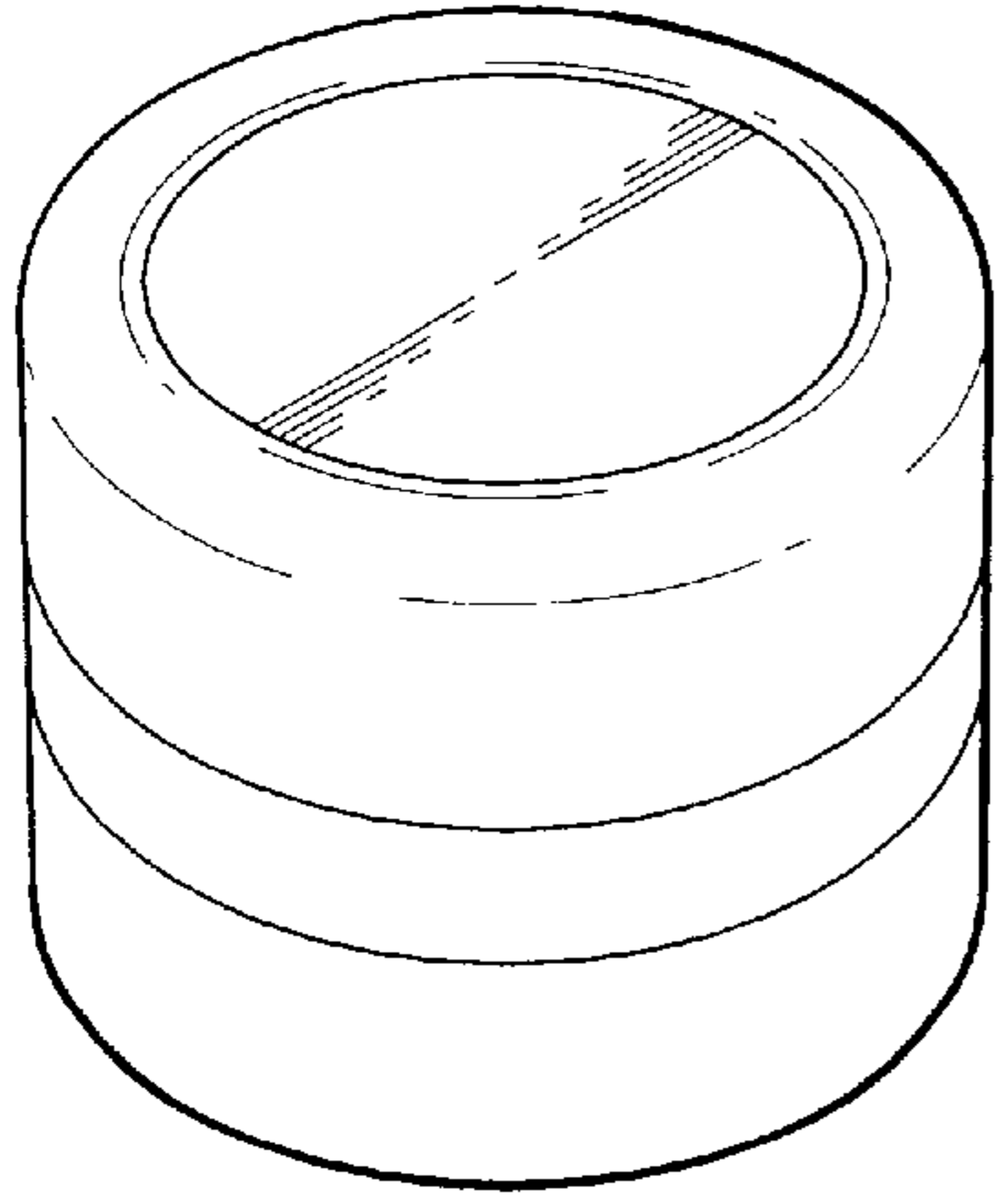


FIG.2

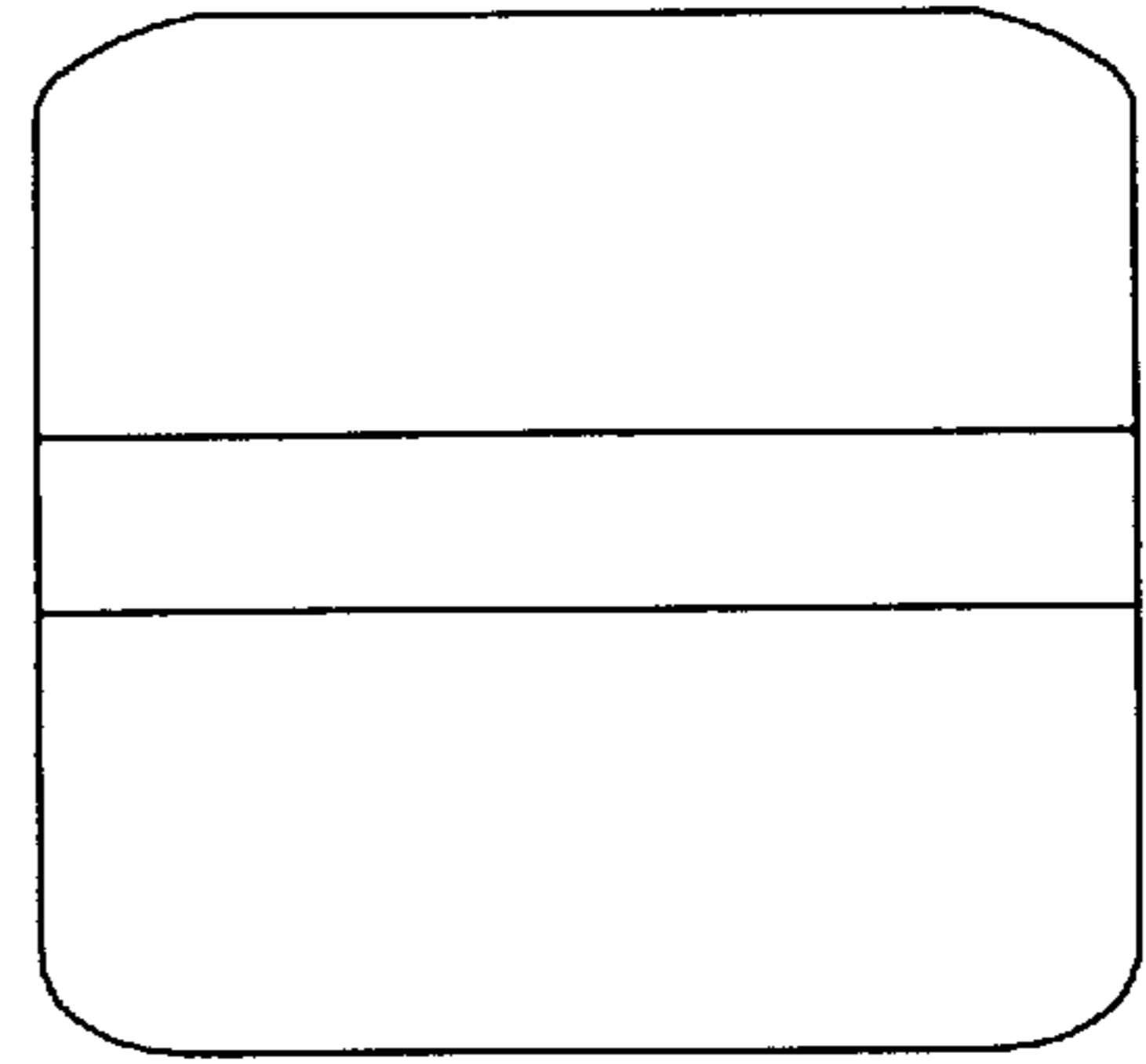


FIG.3

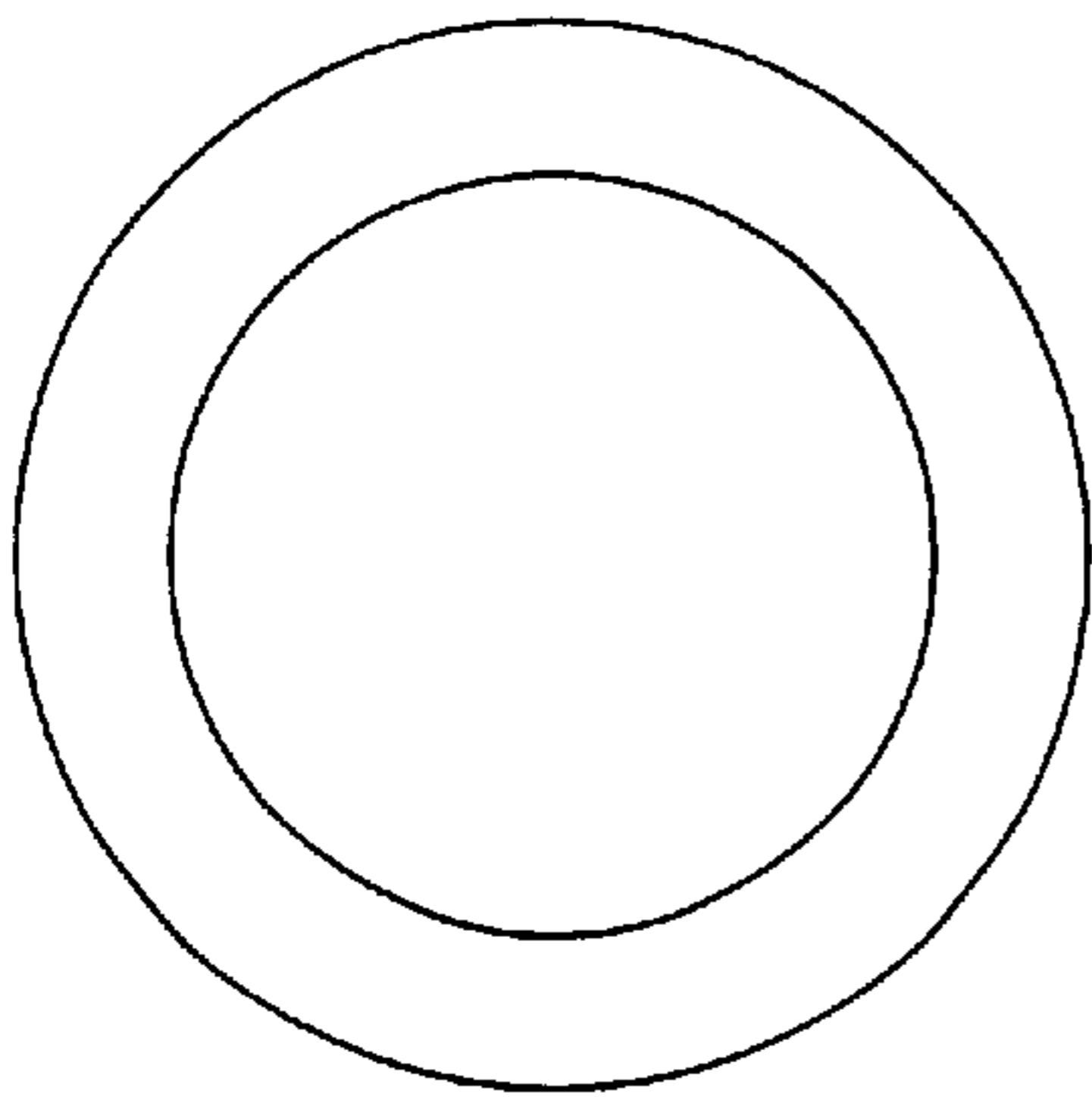


FIG.5

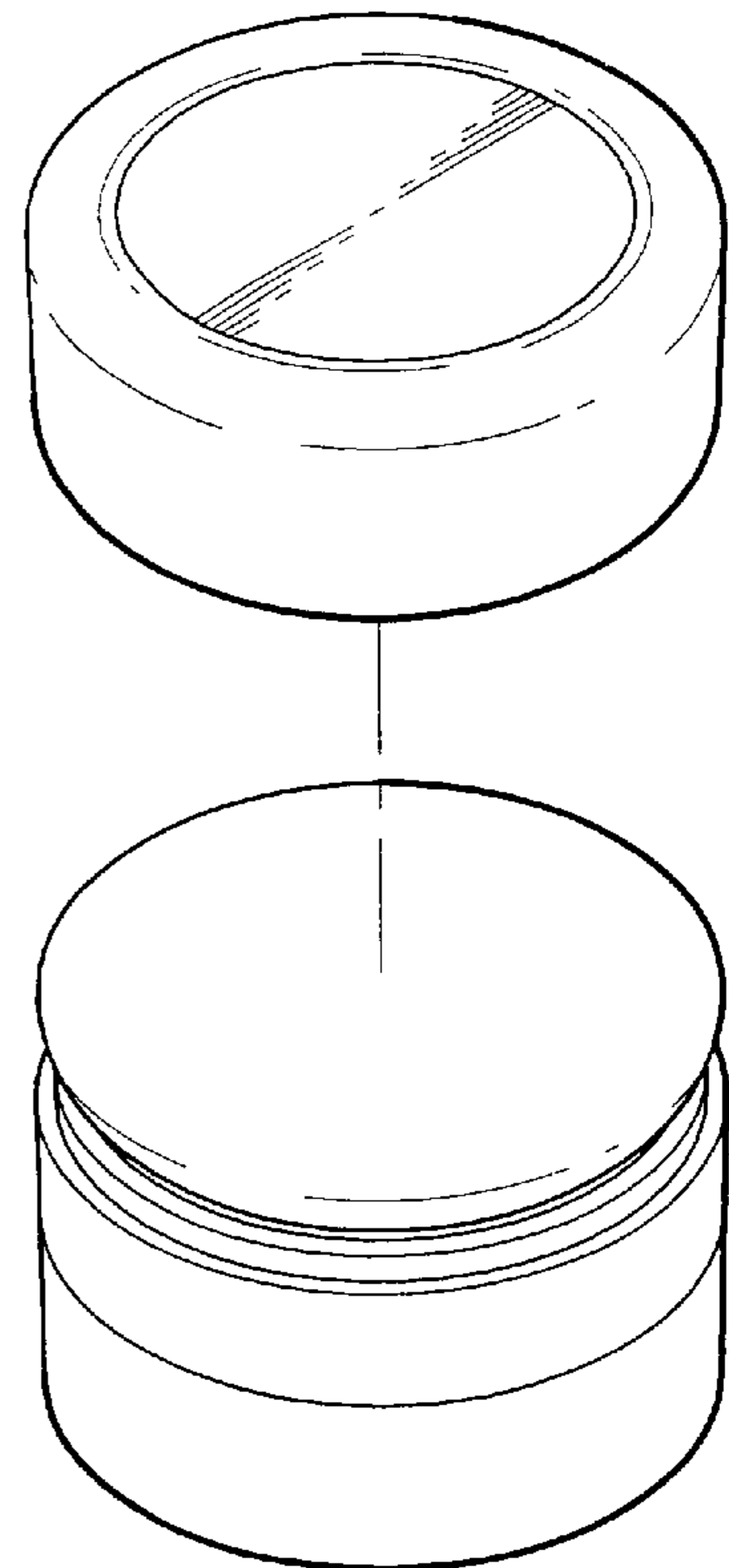


FIG.4

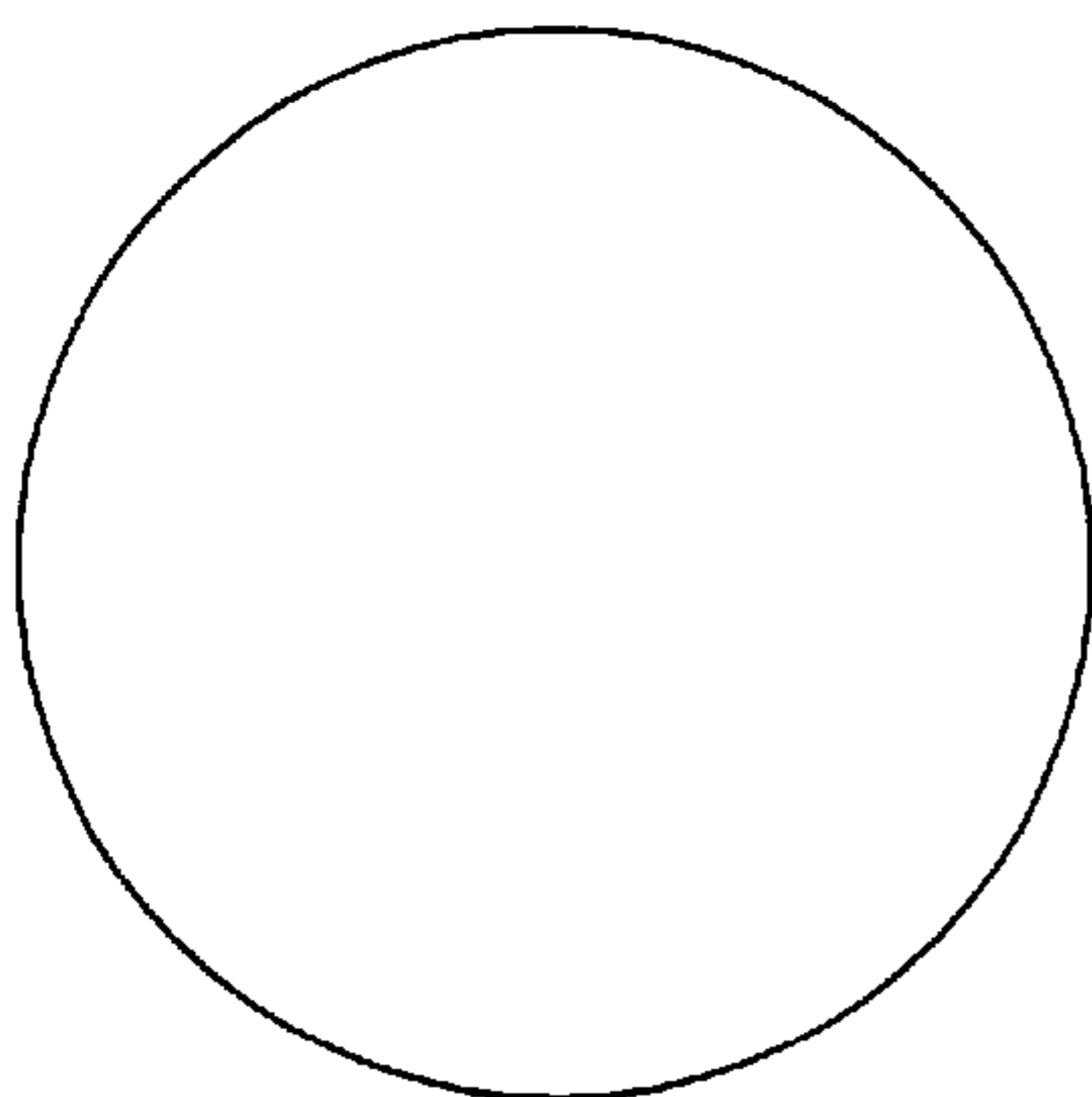


FIG.6

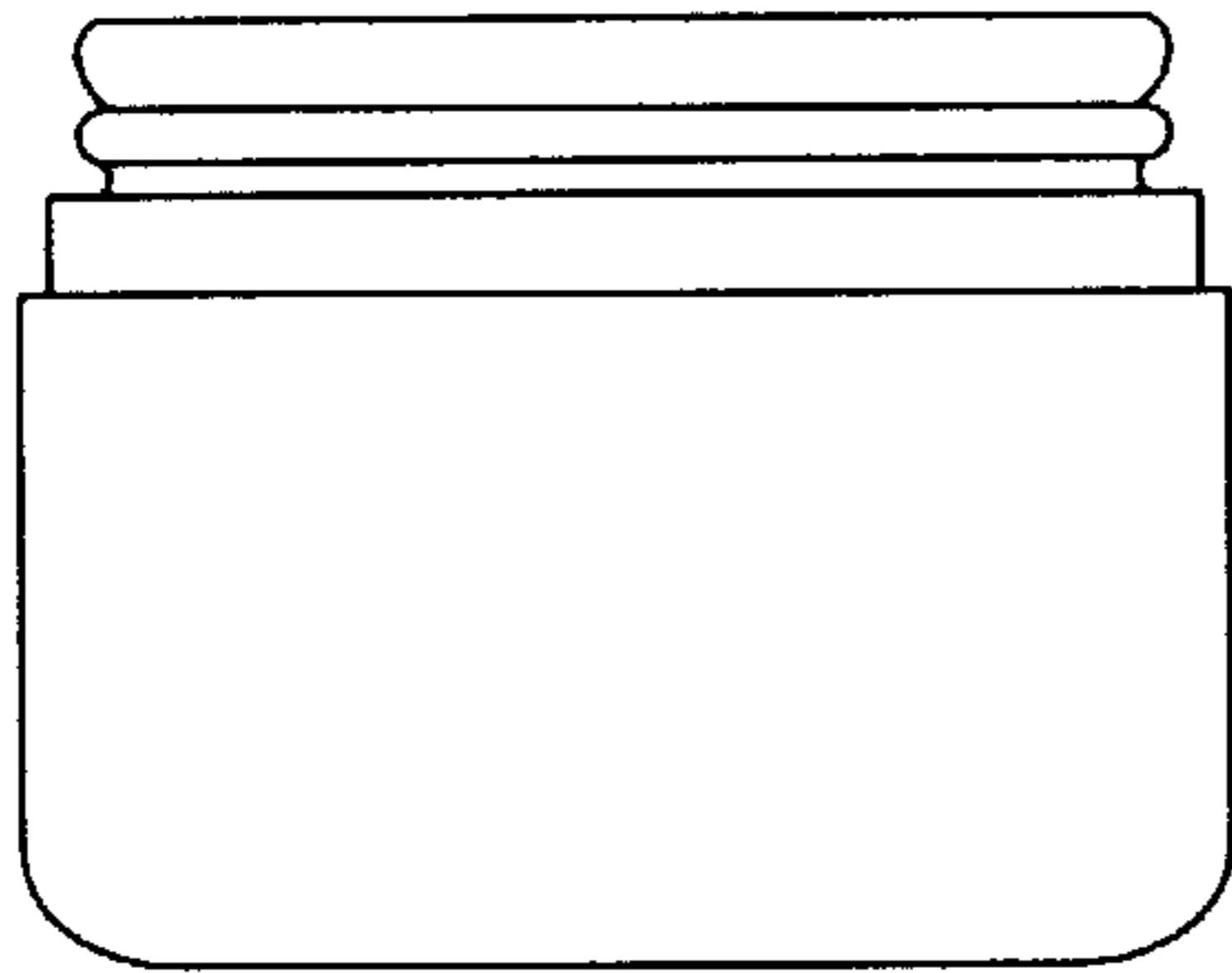


FIG.8

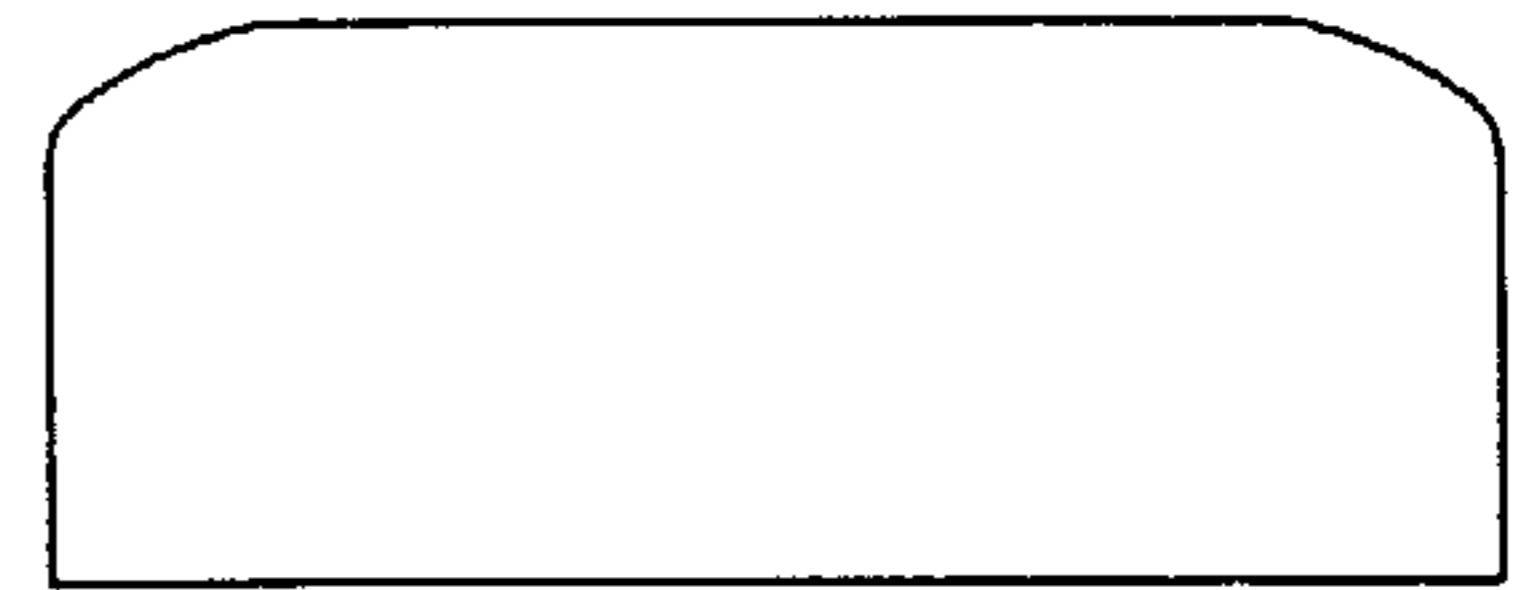


FIG.7

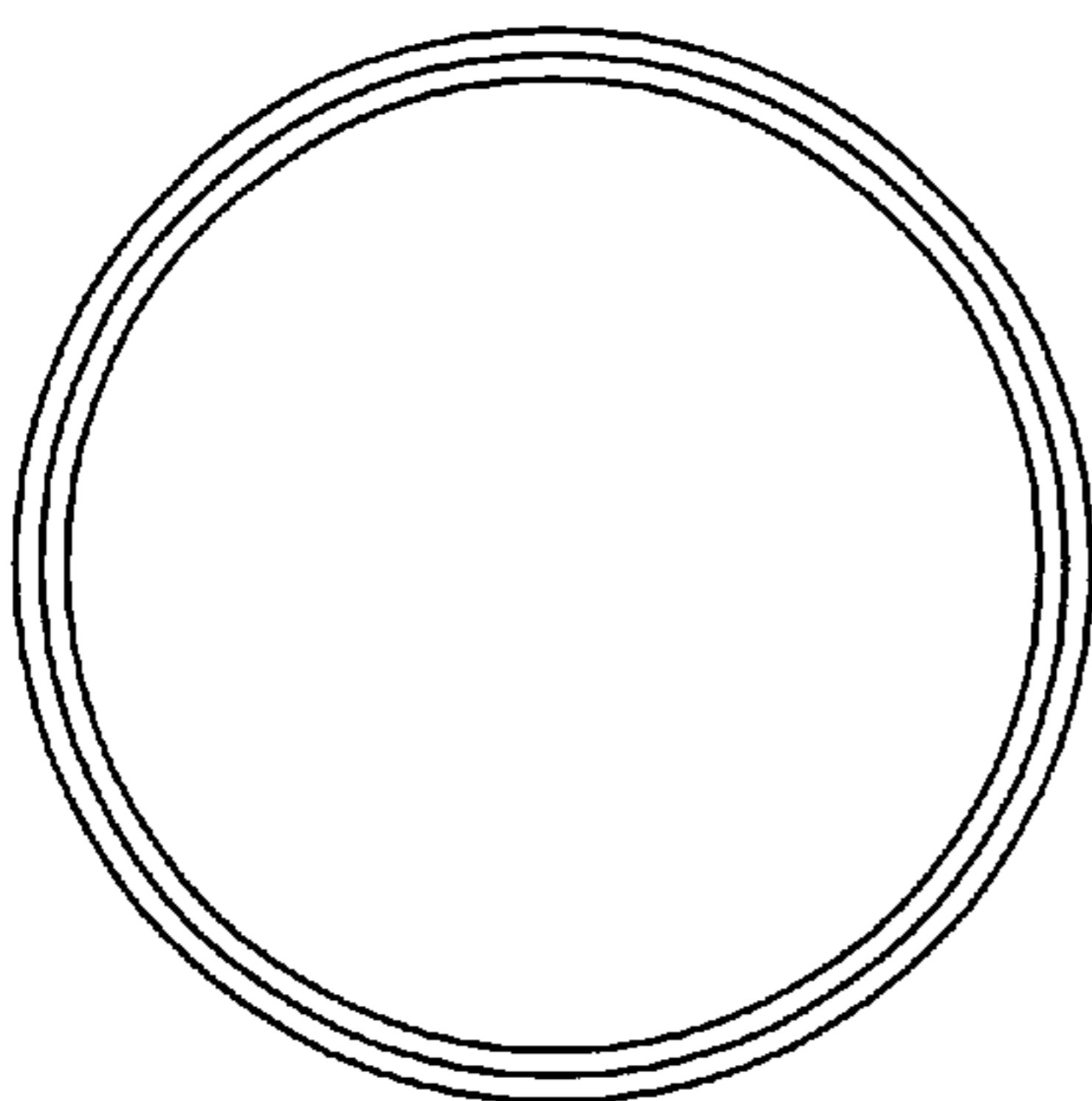


FIG.9

