



US00D484642S

(12) **United States Design Patent**
Lau

(10) **Patent No.:** **US D484,642 S**

(45) **Date of Patent:** **** Dec. 30, 2003**

(54) **SHAVER**

D439,702 S * 3/2001 Sulik D28/49
D441,912 S * 5/2001 Micinilio D28/51

(75) Inventor: **Tung Yan Yen Lau, Shatin (CN)**

FOREIGN PATENT DOCUMENTS

(73) Assignee: **Specialife Industries Ltd., Shutin (CN)**

JP 401164389 * 6/1989 B26B/19/38

(**) Term: **14 Years**

* cited by examiner

(21) Appl. No.: **29/150,601**

Primary Examiner—Ted Shooman

(22) Filed: **Nov. 16, 2001**

Assistant Examiner—C. Tuttle

(30) **Foreign Application Priority Data**

(74) *Attorney, Agent, or Firm*—Alix, Yale & Ristas, LLP

May 31, 2001 (DE) 4 01 04 983

(57) **CLAIM**

The ornamental design for a shaver, as shown and described.

(51) **LOC (7) Cl.** **28-03**

DESCRIPTION

(52) **U.S. Cl.** **D28/51**

FIG. 1 is a front perspective view of the shaver showing my new design;

(58) **Field of Search** D28/44, 45, 44.1,
D28/49-54; 30/34.05, 34.1, 34.2, 42, 43,
43.1-43.9, 43.91, 43.92

FIG. 2 is a front perspective view of the shaver of FIG. 1 with the cap separated;

(56) **References Cited**

FIG. 3 is a front view of the shaver of FIG. 1;

U.S. PATENT DOCUMENTS

FIG. 4 is a top plan view of the shaver of FIG. 1;

- 2,227,986 A * 1/1941 Bassett et al. 30/43.1
- D290,531 S * 6/1987 Seiffert et al. D28/49
- D367,947 S * 3/1996 Kip et al. D28/51
- D369,230 S * 4/1996 Bone D28/53
- D377,404 S * 1/1997 Izumi D28/49
- D377,847 S * 2/1997 Sulik D28/49
- D383,247 S * 9/1997 Schulz D28/50
- D397,513 S * 8/1998 Tu et al. D28/51

FIG. 5 is a rear view of the shaver of FIG. 1;

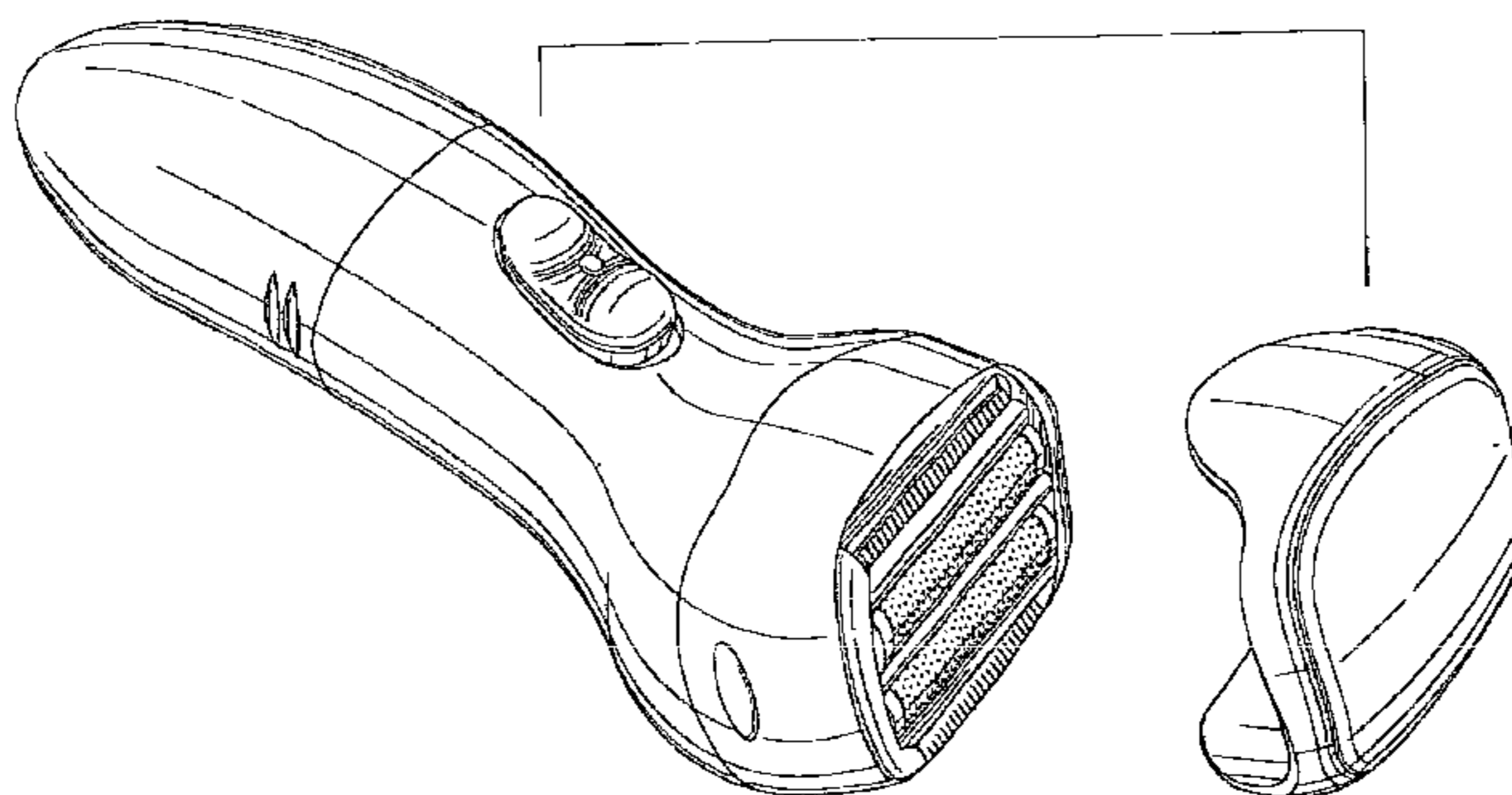
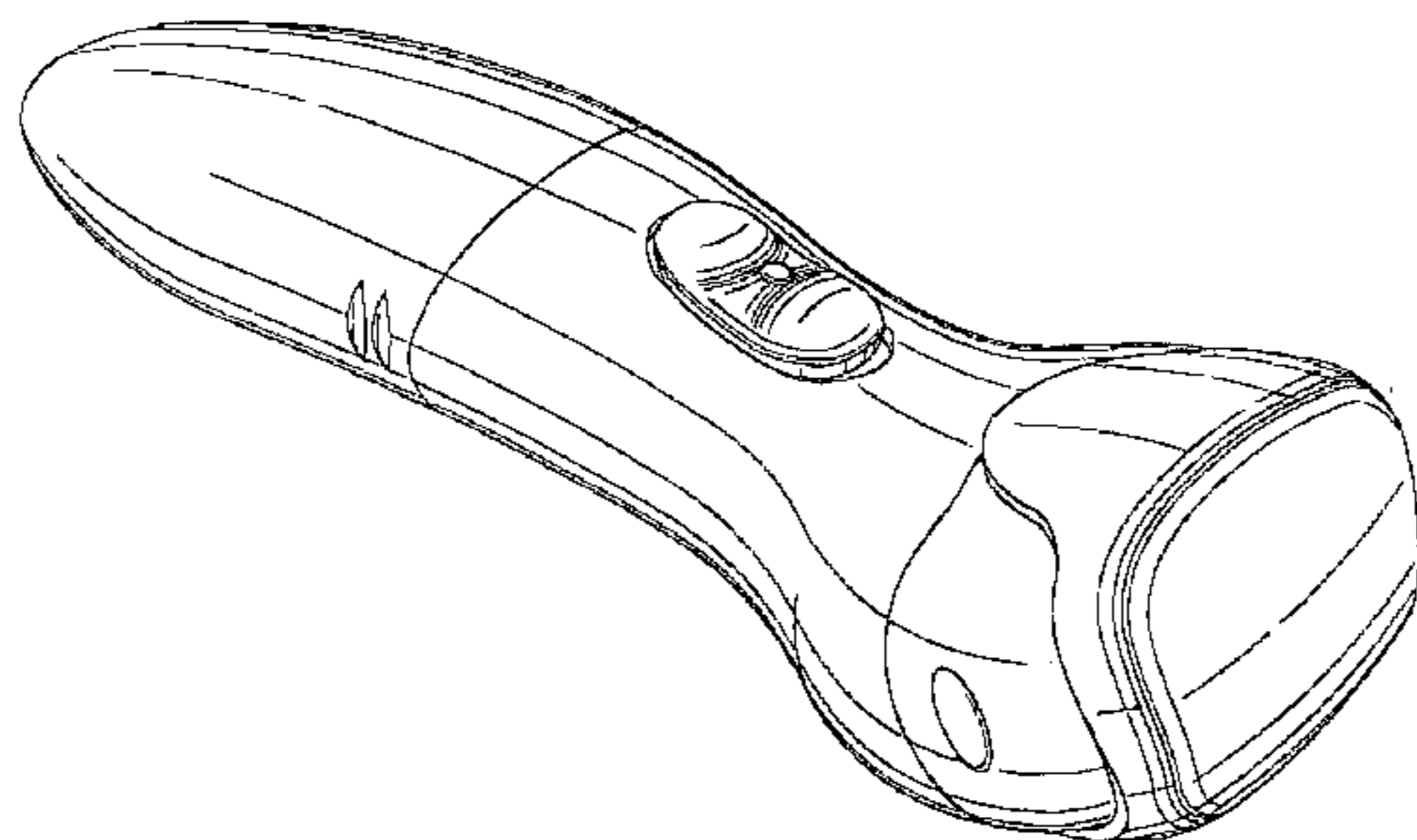
FIG. 6 is a bottom plan view of the shaver of FIG. 1;

FIG. 7 is a left side view of the shaver of FIG. 1; and,

FIG. 8 is a right side view of the shaver of FIG. 1.

The broken lines showing the handle end area are for illustrative purposes only and form no part of the claimed design.

1 Claim, 5 Drawing Sheets



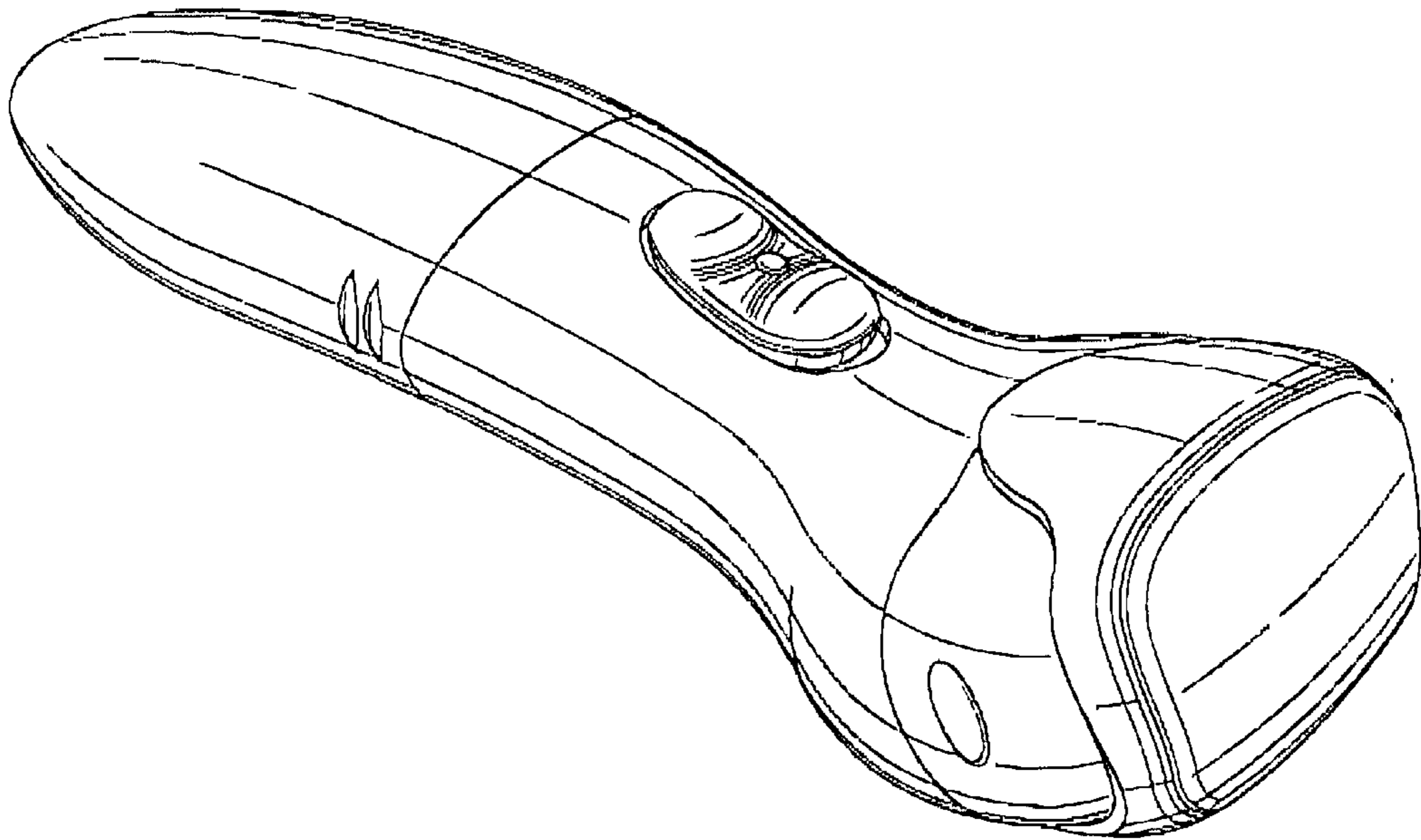


FIG. 1

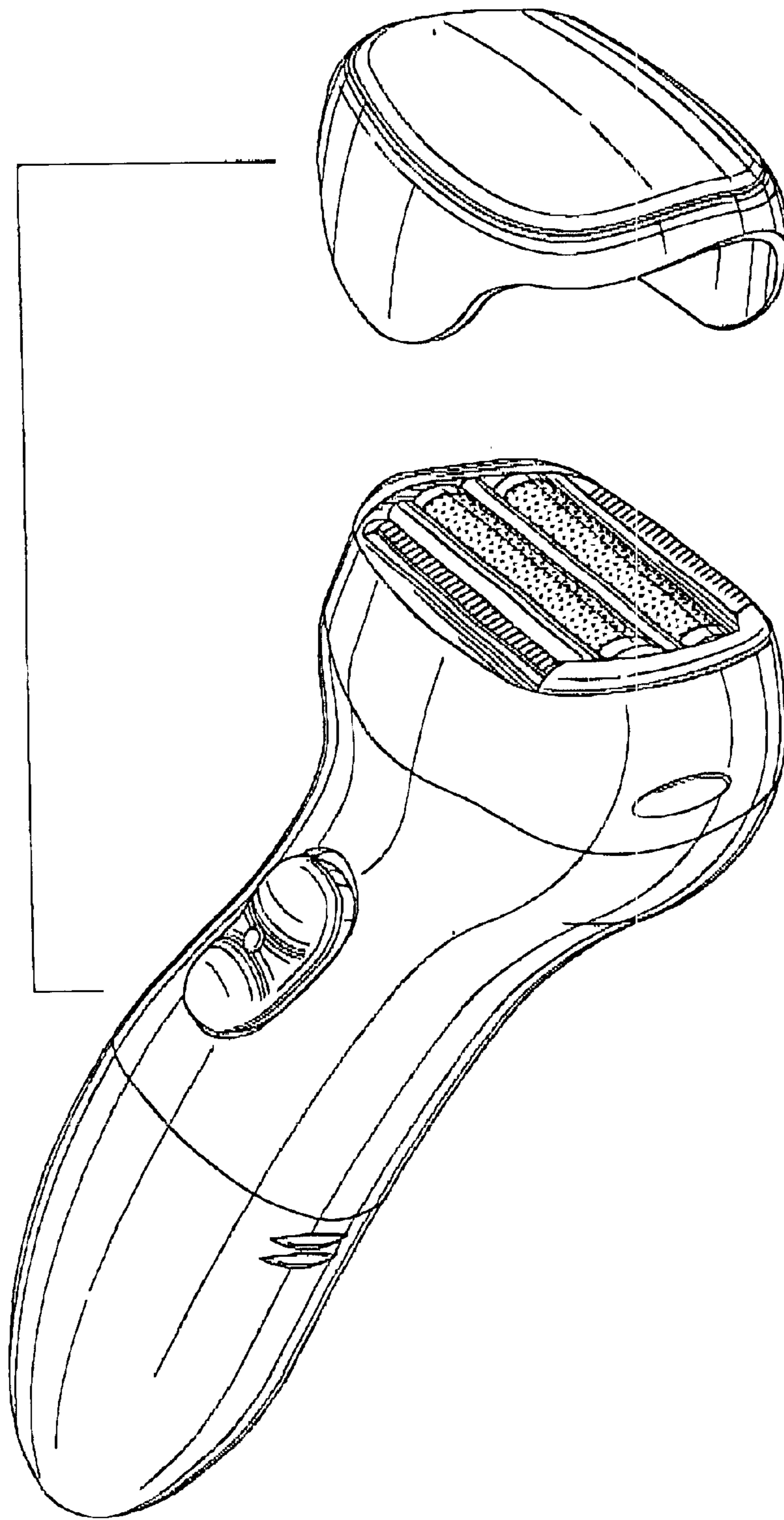


FIG. 2

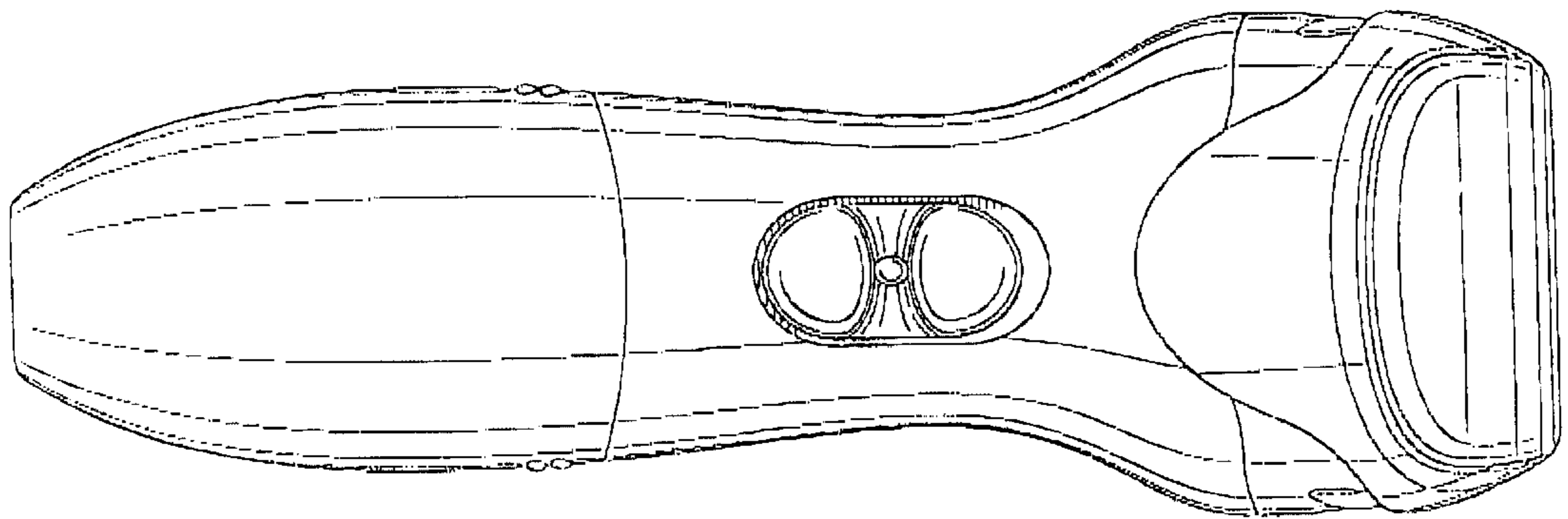


FIG. 4

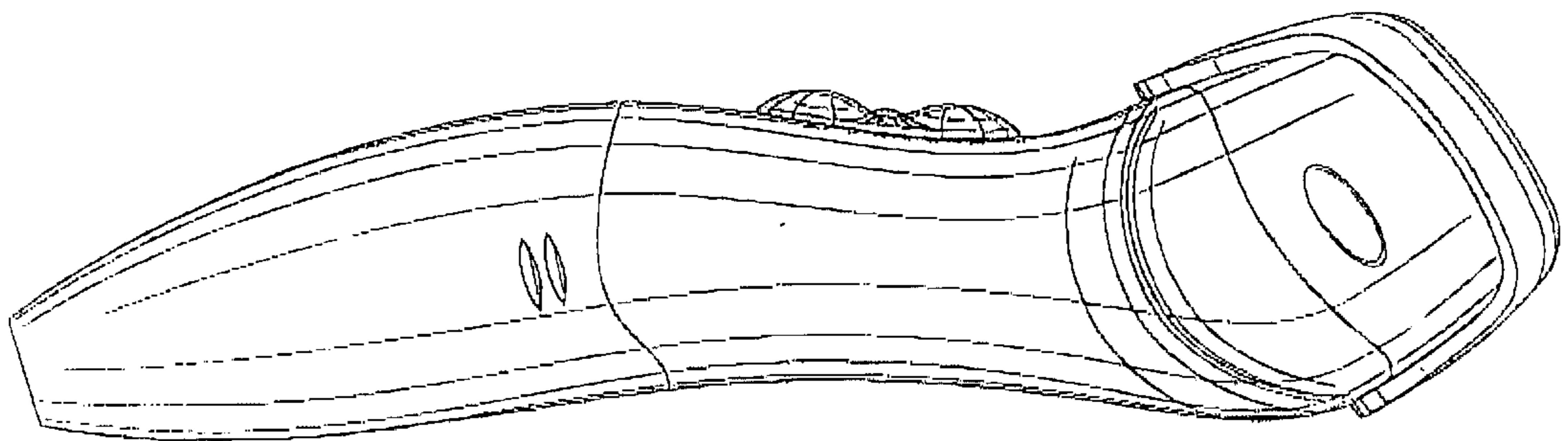


FIG. 3

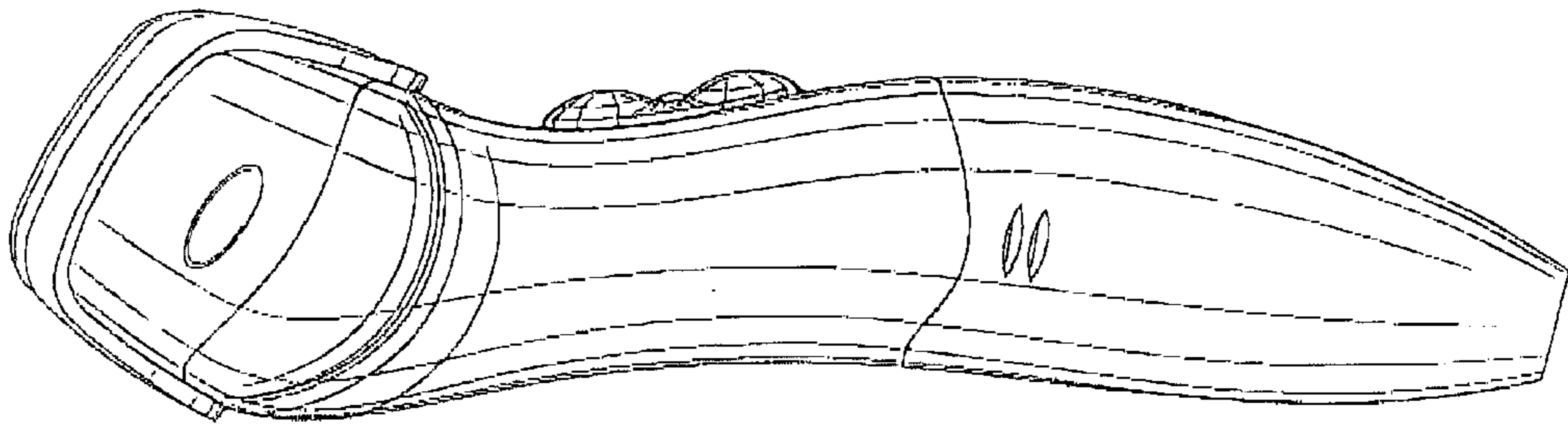


FIG. 5

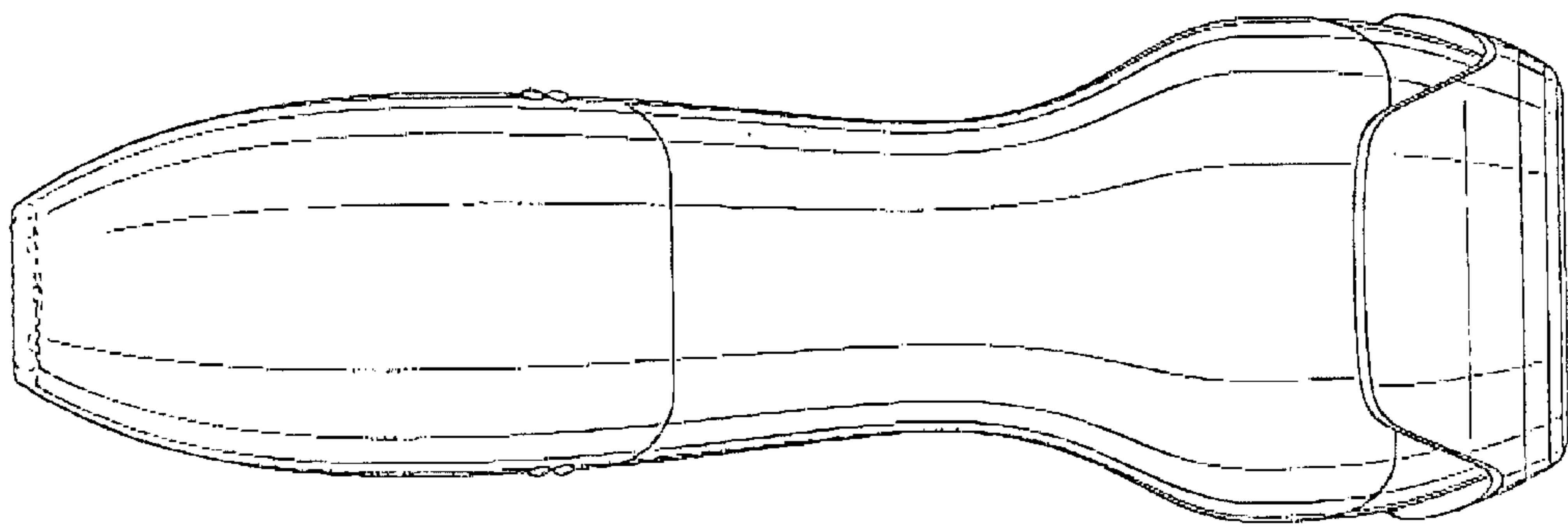


FIG. 6

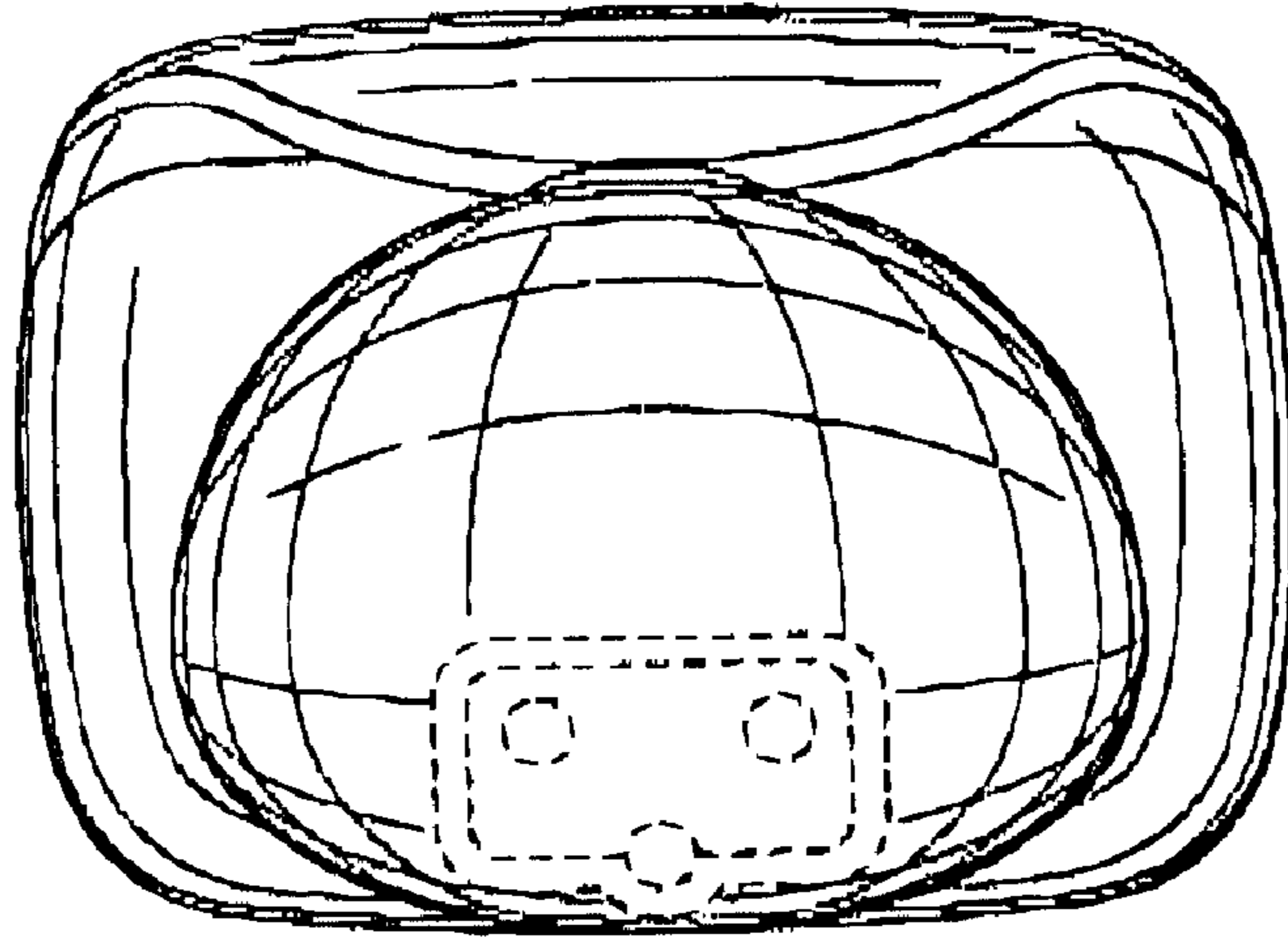


FIG. 7

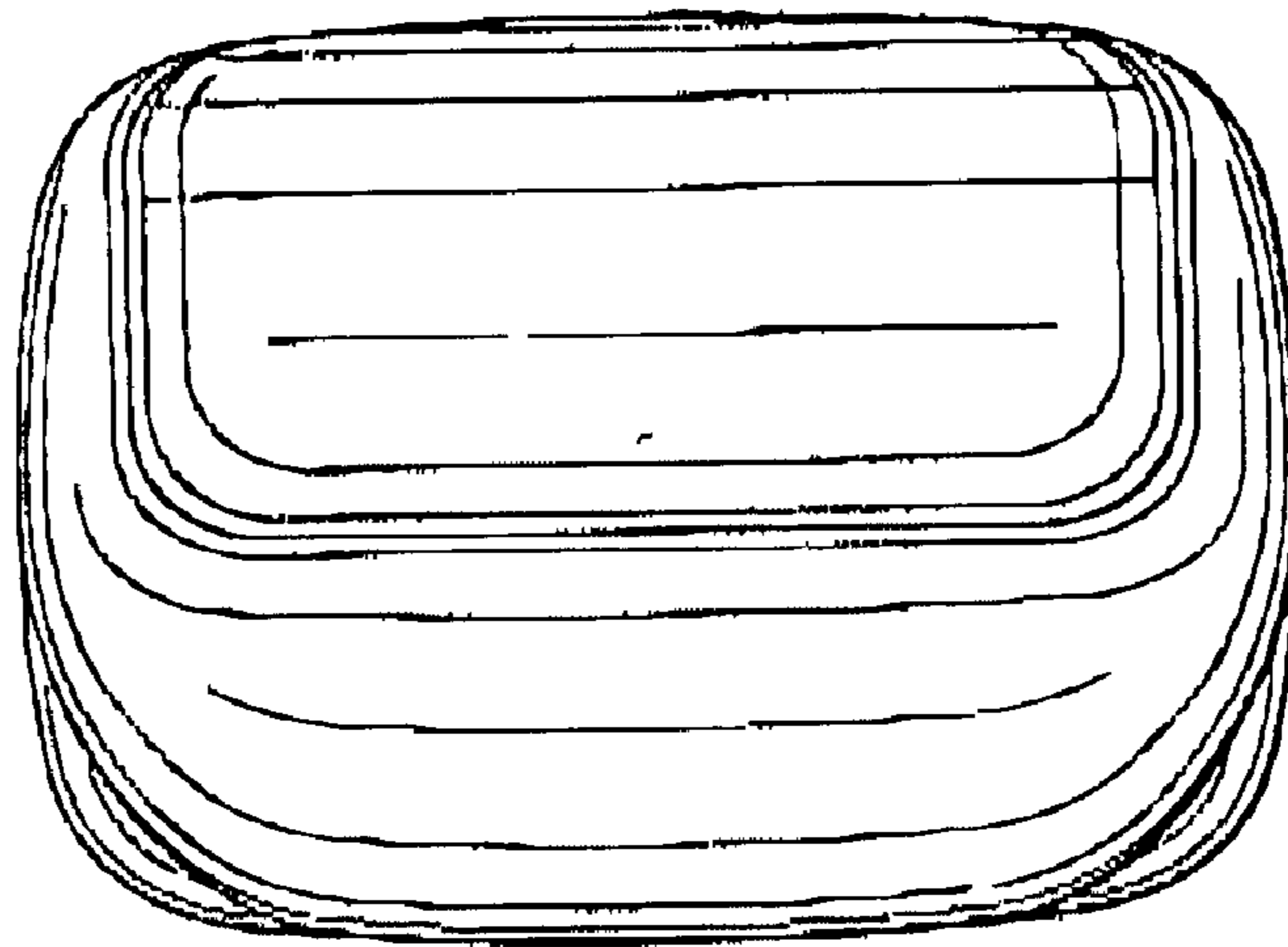


FIG. 8

UNITED STATES PATENT AND TRADEMARK OFFICE
CERTIFICATE OF CORRECTION

PATENT NO. : Des. 484,642 S
DATED : December 30, 2003
INVENTOR(S) : Lau

Page 1 of 1

It is certified that error appears in the above-identified patent and that said Letters Patent is hereby corrected as shown below:

Title page,

Item [73], Assingee, delete "**Shutin**" and insert therefore -- **Shatin** --.

Signed and Sealed this

Eleventh Day of May, 2004

A handwritten signature in black ink that reads "Jon W. Dudas". The signature is written in a cursive style with a large, looped initial "J".

JON W. DUDAS
Acting Director of the United States Patent and Trademark Office